



PARTS CATALOGUE

XT660Z (11D5) AUSTRALIA

XT660Z (11D5) NEW ZEALAND



1K11D-710E1

()

XT660Z
PARTS CATALOGUE
©2010 by Yamaha Motor España S.A.
1st edition, October 2010
All rights reserved.
Any reprinting or unauthorized use
without the written permission of
Yamaha Motor España S.A.
is expressly prohibited.
Printed in Spain.

FOREWORD

This Parts Catalogue is related to the parts for the model(s) on the cover page. When you are ordering replacement parts, please refer to this Parts Catalogue and quote both part numbers and part names correctly.

1. Modifications or additions which have been made after the issue of the Parts Catalogue will be announced in the Parts News.

It is advisable that you make the necessary corrections to the Parts Catalogue according to the Parts News.

2. Abbreviations

The following abbreviations are used in this Parts Catalogue.

“UR” Use specified parts number.

“UN” Use as many as needed.

“AP” Alternate Parts

“LM” Locally Made (Parts need to be ordered locally)

“F#” Frame No. (Applicable machine No.)

“O/S” Over Size

3. The number of components for assembly

- Parts, which are to be supplied in an assembly, are listed with a dot (.) in front of the part name as shown below.
- The numeral appearing to the right of each component part indicates the quantity of parts for each assembly unit.

PART NO.	DESCRIPTION	Q'TY	REMARKS
2F5-83310-60	FRONT FLASHER LIGHT ASSY	2	
115-83311-60	.BULB (6V-18W)	1	

4. Applicable colours of graphics are represented in the “REMARKS” as shown below.

PART NO.	DESCRIPTION	Q'TY	REMARKS
2N4-24110-00-X5	FUEL TANK COMP.	2	MXR
3J1-24240-10	.GRAPHIC, FUEL TANK	1	FOR MXR

5. Note that the illustrations for reference in finding parts numbers are not to be used for assembling. When assembling, please use the applicable service manual.

6. The asterisk (*) before a reference number indicates modified items after the first edition.

CONTENTS

ENGINE

CYLINDER HEAD	1
CYLINDER	2
CRANKSHAFT & PISTON	3
VALVE	4
CAMSHAFT & CHAIN	5
WATER PUMP	6
RADIATOR & HOSE	7
OIL PUMP	9
INTAKE	11
INTAKE 2	13
AIR INDUCTION SYSTEM	14
EXHAUST	15
CRANKCASE	17
CRANKCASE COVER 1	18
STARTER	20
CLUTCH	21
TRANSMISSION	23
SHIFT CAM & FORK	25
SHIFT SHAFT	26

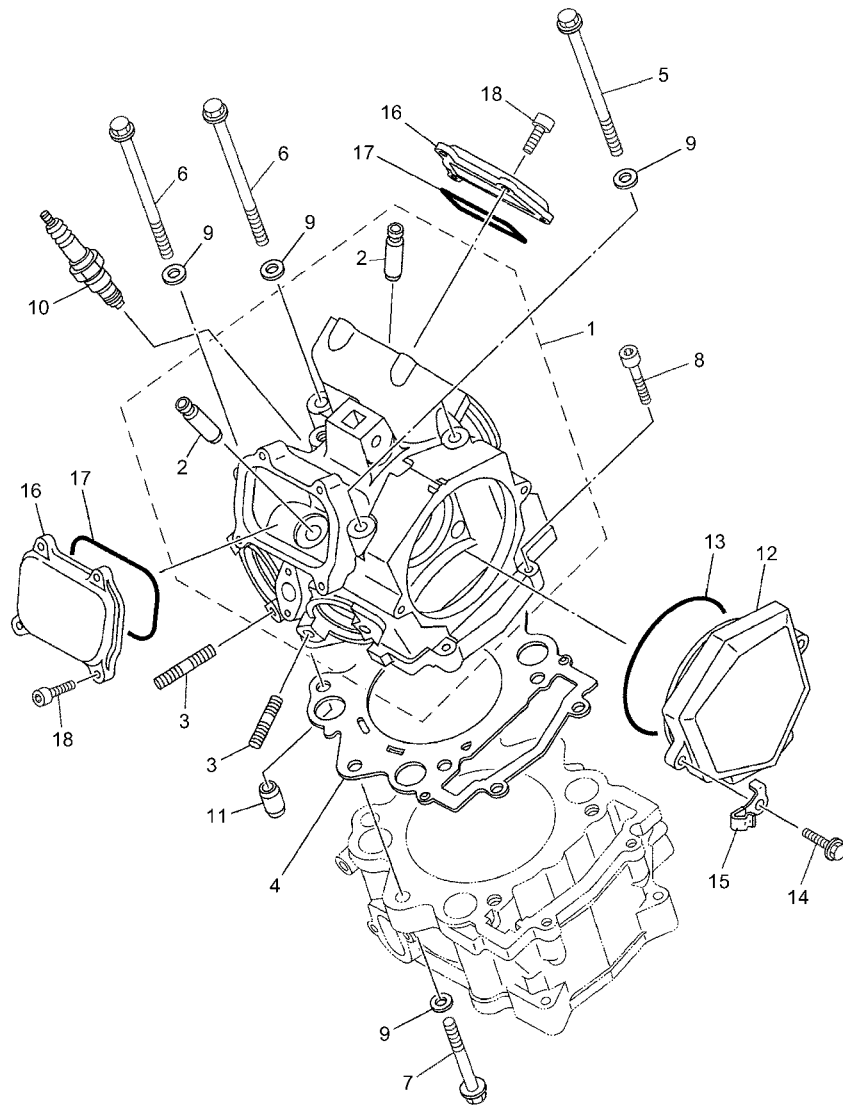
CHASSIS

FRAME	27
FENDER	29
REAR ARM	30
REAR SUSPENSION	32
STEERING	33
FRONT FORK	34
FUEL TANK	36
SEAT	38
FRONT WHEEL	40
FRONT BRAKE	41
REAR BRAKE	42
REAR WHEEL	43
STEERING HANDLE & CABLE	45
FRONT MASTER CYLINDER	46
STAND & FOOTREST	47
REAR MASTER CYLINDER	49
COWLING	51
GENERATOR	52
FLASHER LIGHT	53
METER	54

HEADLIGHT	55
TAILLIGHT	56
HANDLE SWITCH & LEVER	58
ELECTRICAL 1	59
ELECTRICAL 2	61

INDEX

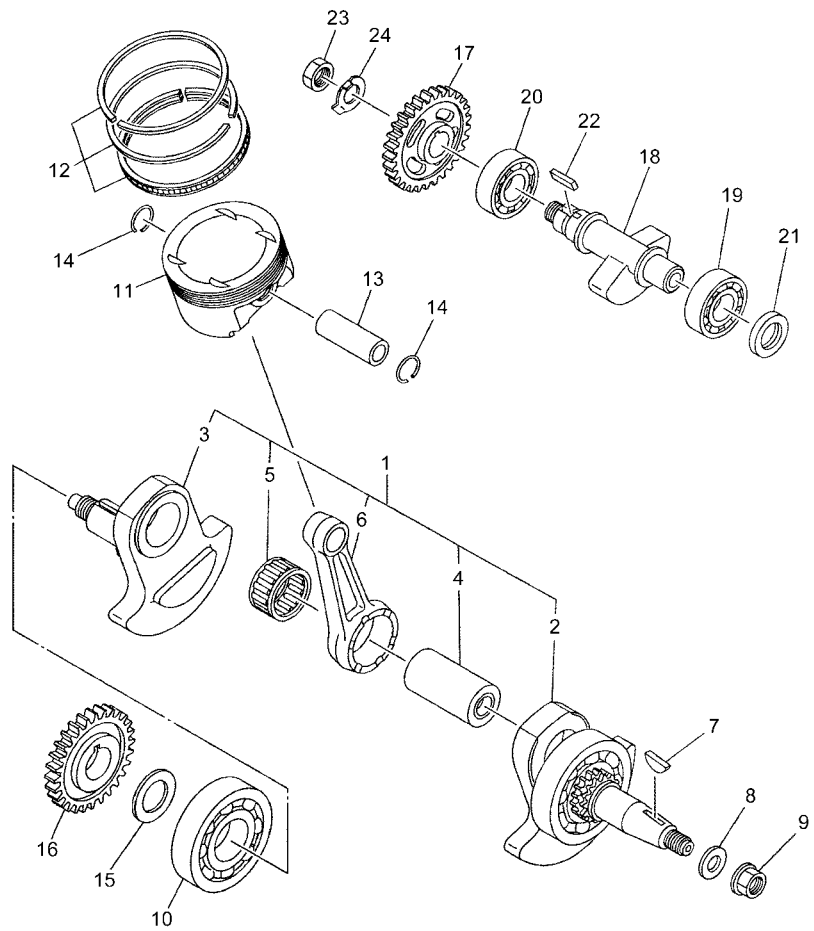
NUMERICAL INDEX	63
-----------------------	----



11D8300-K010

FIG. 1 CYLINDER HEAD

REF. NO.	PART NO.	DESCRIPTION	11D5				REMARKS
1	5VK-E1101-02	CYLINDER HEAD ASSY	1				
2	4G0-11133-11	.GUIDE, VALVE 1	4				
3	95617-08618	BOLT, STUD	4				
4	5VK-11181-00	GASKET, CYLINDER HEAD 1	1				
5	90105-09002	BOLT, FLANGE	2				
6	90105-09004	BOLT, FLANGE	2				
7	90105-09003	BOLT, FLANGE	2				
8	91317-06030	BOLT	2				
9	90201-096J9	WASHER, PLATE	6				
10	94701-00X09	PLUG, SPARK (NGK CR7E)	1				
11	93612-16X00	PIN, DOWEL	2				
12	5VK-E1185-00	COVER, CYLINDER HEAD SIDE 3	1				
13	93210-96X00	O-RING	1				
14	95027-06020	BOLT, FLANGE	2				
15	90465-10044	CLAMP	1				
16	5VK-E1186-00	COVER, CYLINDER HEAD SIDE 2	2				
17	93210-78X00	O-RING	2				
18	91317-06018	BOLT	8				



11D6300-J030

FIG. 3 CRANKSHAFT & PISTON

REF. NO.	PART NO.	DESCRIPTION	11D5				REMARKS
1	5VK-11400-01	CRANKSHAFT ASSY	1				
2	5VK-11401-09	.CRANK SUB ASSY 1	1				
3	5VK-11422-00	.CRANK 2	1				
4	5VK-11681-01	.PIN, CRANK 1	1				
5	93310-84010	.BEARING	1				
6	5VK-11651-00	.ROD, CONNECTING	1				
7	90280-05001	KEY, WOODRUFF	1				
8	90201-16013	WASHER, PLATE	1				
9	90179-16448	NUT	1				
10	93306-308Y0	BEARING	1				
11	5VK-11631-00	PISTON (STD)	1				
12	5VK-11603-00	PISTON RING SET (STD)	1				
13	5VK-11633-00	PIN, PISTON	1				
14	93450-24824	CIRCLIP	2				
15	90201-30X00	WASHER, PLATE	1				
16	5VK-E1536-00	GEAR, DRIVE	1				
17	5VK-E1531-00	GEAR, BALANCE WEIGHT	1				
18	5VK-E1454-00	WEIGHT 1	1				
19	93306-305YJ	BEARING	1				
20	93306-305YH	BEARING	1				
21	93101-25106	OIL SEAL	1				
22	90282-05058	KEY, STRAIGHT	1				
23	90170-18003	NUT	1				
24	90215-18X00	WASHER, LOCK	1				

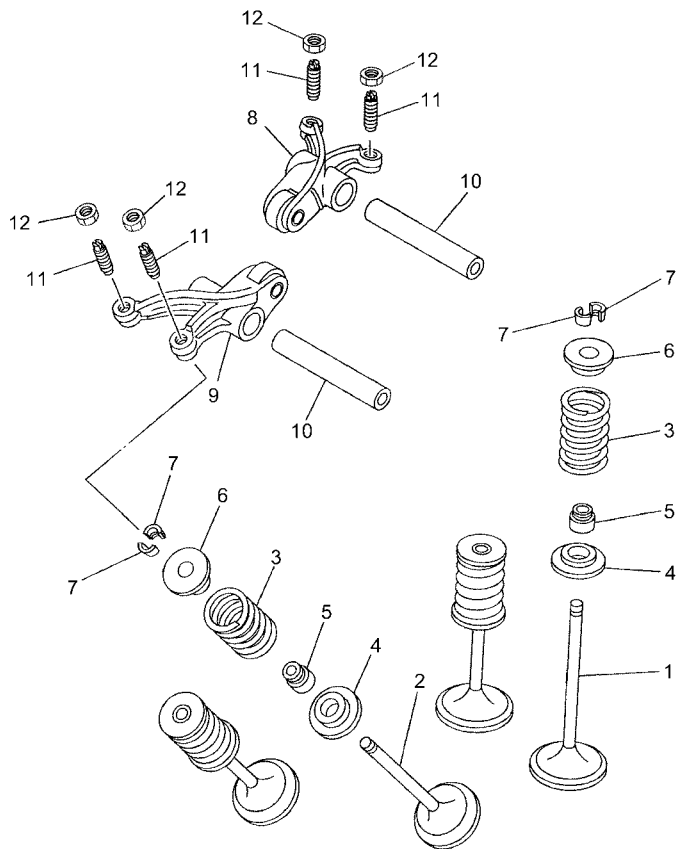
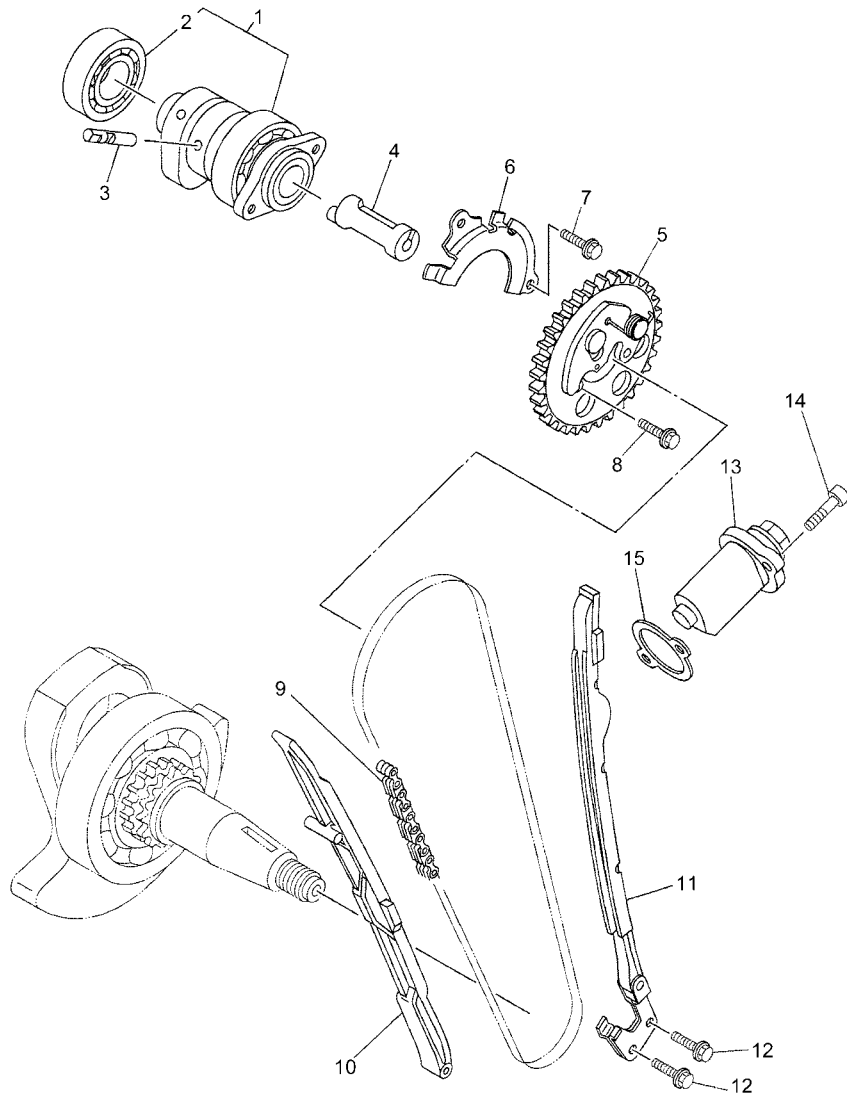


FIG. 4 VALVE

REF. NO.	PART NO.	DESCRIPTION	11D5				REMARKS
1	5VK-12111-00	VALVE, INTAKE	2				
2	5VK-12121-00	VALVE, EXHAUST	2				
3	5VK-12113-00	SPRING, VALVE INNER	4				
4	3YF-12116-00	SEAT, VALVE SPRING	4				
5	5H0-12119-00	SEAL, VALVE STEM	4				
6	3YF-12117-01	RETAINER, VALVE SPRING	4				
7	4G0-12118-00	COTTER, VALVE	8				
8	5VK-E2151-00	ARM, VALVE ROCKER	1				
9	5VK-E2161-00	ARM, VALVE ROCKER 2	1				
10	5VK-12146-00	SHAFT, ROCKER	2				
11	5BP-12159-01	SCREW, VALVE ADJUSTING	4				
12	90170-06128	NUT	4				



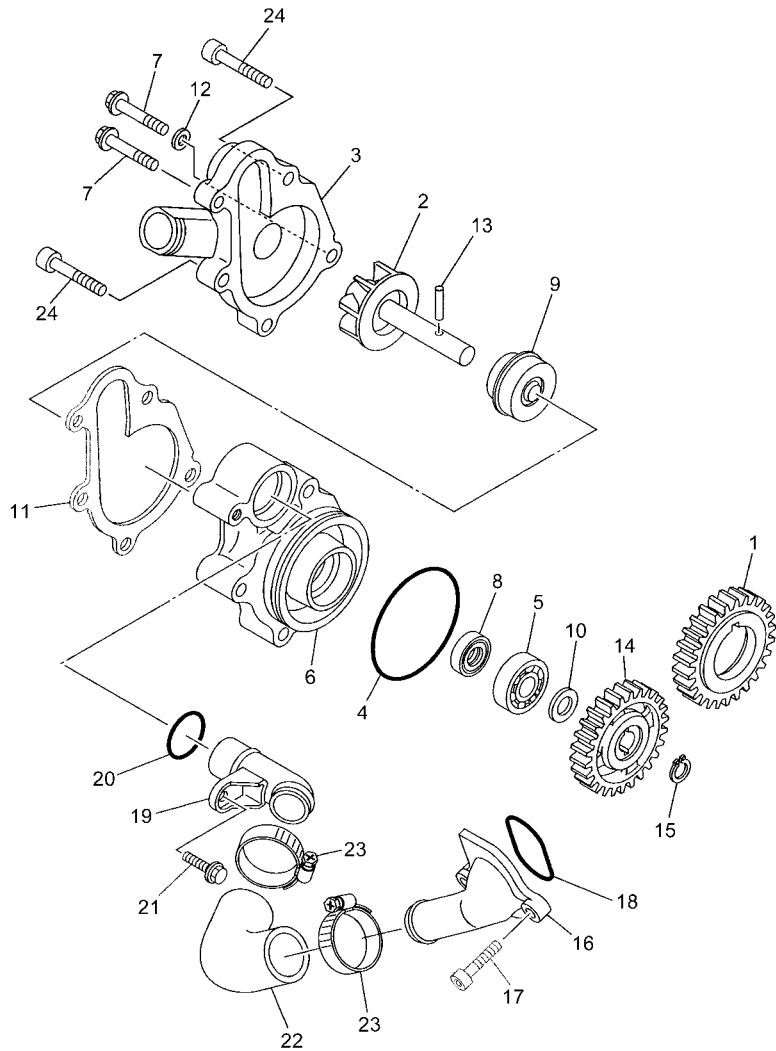
11D6300-J040



11D6300-J050

FIG. 5 CAMSHAFT & CHAIN

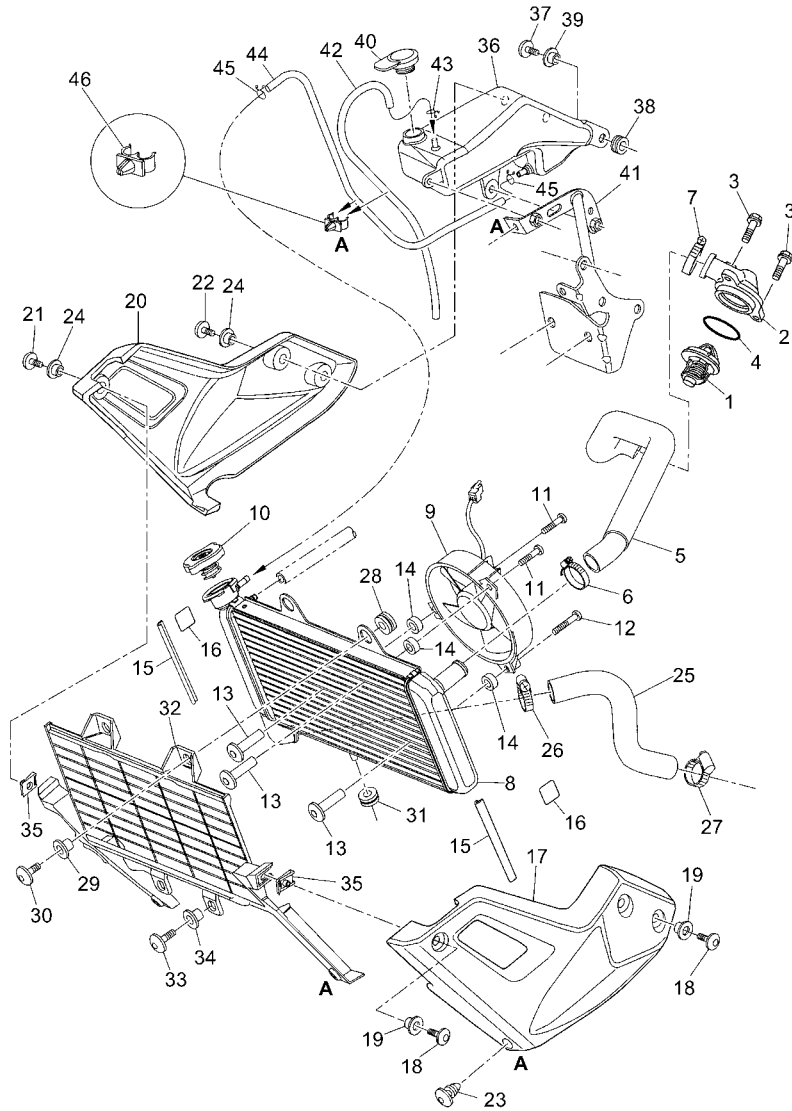
REF. NO.	PART NO.	DESCRIPTION	11D5				REMARKS
1	5VK-E2170-20	CAMSHAFT ASSY 1	1				
2	93306-07209	.BEARING	1				
3	5VK-12284-00	PIN, DECOMPRESSION LEVER	1				
4	5VK-12290-00	LEVER, DECOMPRESSION SPRING	1				
5	5VK-12280-01	DECOMPRESSION ASSY	1				
6	5VK-E111F-00	PLATE	1				
7	95027-06012	BOLT, FLANGE	2				
8	90105-07004	BOLT, FLANGE	2				
9	94591-57126	CHAIN (98XRH2010-126M)	1				
10	5VK-E2231-00	GUIDE, STOPPER 1	1				
11	5VK-E2241-00	GUIDE, STOPPER 2	1				
12	90119-06X05	BOLT, WITH WASHER	2				
13	5VK-E2210-00	TENSIONER ASSY, CAM CHAIN	1				
14	91317-06025	BOLT	2				
15	4DW-12213-00	GASKET, TENSIONER CASE	1				



11D6300-J060

FIG. 6 WATER PUMP

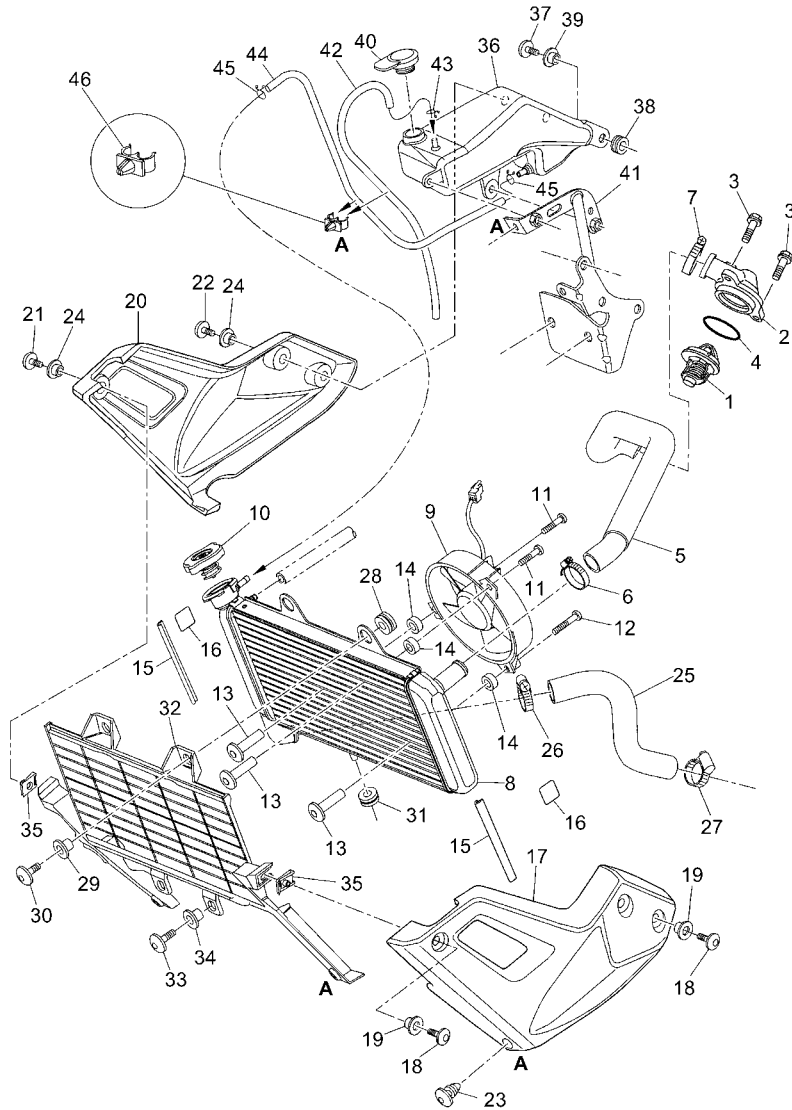
REF. NO.	PART NO.	DESCRIPTION	11D5				REMARKS
1	5VK-E2436-00	GEAR, DRIVE	1				
2	5VK-12450-00	IMPELLER SHAFT ASSY	1				
3	5VK-12422-00	COVER, HOUSING	1				
4	93210-61750	O-RING	1				
5	93306-00106	BEARING	1				
6	5VK-12421-00	HOUSING, WATER PUMP	1				
7	95027-06025	BOLT, FLANGE	2				
8	93101-12173	OIL SEAL	1				
9	11H-12438-10	SEAL, MECHANICAL	1				
10	90201-12541	WASHER, PLATE	1				
11	5VK-12428-00	GASKET, HOUSING COVER 2	1				
12	90430-06014	GASKET	1				
13	93603-16219	PIN, DOWEL	1				
14	5VK-12459-00	GEAR, IMPELLER SHAFT	1				
15	99009-12400	CIRCLIP	1				
16	5VK-E2469-00	JOINT 1	1				
17	91317-06020	BOLT	2				
18	93210-33X00	O-RING	1				
19	5VK-12481-00	PIPE 1	1				
20	93210-21X00	O-RING	1				
21	91317-06012	BOLT	1				
22	5VK-E2577-10	HOSE 2	1				
23	90450-32X03	HOSE CLAMP ASSY	2				
24	91317-06050	BOLT	3				



11D8300-K070

FIG. 7 RADIATOR & HOSE

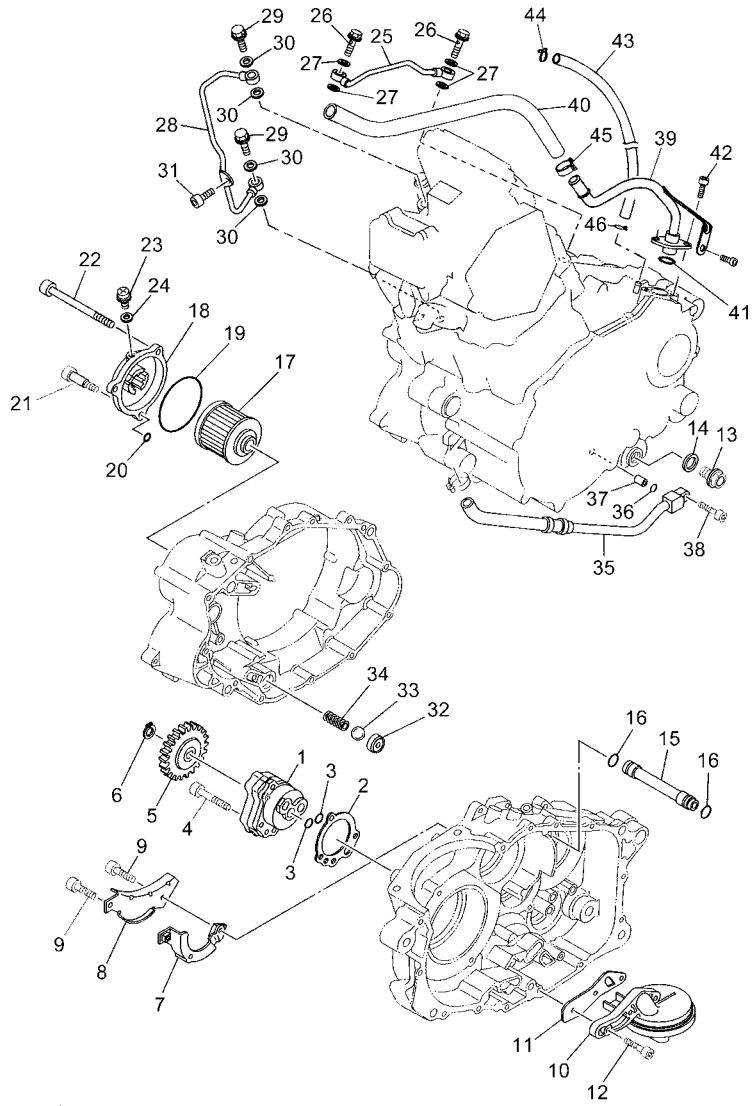
REF. NO.	PART NO.	DESCRIPTION	11D5				REMARKS
1	5VK-12410-00	THERMOSTAT ASSY	1				
2	5VK-E2413-00	COVER, THERMOSTAT	1				
3	95027-06020	BOLT, FLANGE	2				
4	93210-41X00	O-RING	1				
5	11D-E2578-00	HOSE 3	1				
6	90450-32X03	HOSE CLAMP ASSY	1				
7	90450-32X03	HOSE CLAMP ASSY	1				
8	11D-E2461-01	RADIATOR COMP	1				
9	11D-E2405-00	BLOWER ASSY	1				
10	5VK-E2462-00	CAP, RADIATOR	1				
11	5B2-E2675-00	BOLT, BLOWER HOLDING	2				
12	5B2-E2623-00	BOLT	1				
13	5B2-E2671-00	NUT 1	3				
14	11D-E2662-00	COLLAR 1	3				
15	11D-F8345-00	MOLE 1	2				
16	56P-E2465-00	DAMPER, RADIATOR	2				
17	11D-E240J-00	RADIATOR COVER ASSY1	1				
18	90111-06X19	BOLT,HEX. SOCKET BUTTON	3				
19	90387-06X02	COLLAR	3				
20	11D-E240K-00	RADIATOR COVER ASSY 2	1				
21	90111-06X19	BOLT,HEX. SOCKET BUTTON	1				
22	90111-06X17	BOLT,HEX. SOCKET BUTTON	2				
23	90269-07007	RIVET	2				
24	90387-06X02	COLLAR	3				
25	11D-E2579-00	HOSE 4	1				
26	90450-32X03	HOSE CLAMP ASSY	1				
27	90450-32X03	HOSE CLAMP ASSY	1				



11D8300-K070

FIG. 7 RADIATOR & HOSE

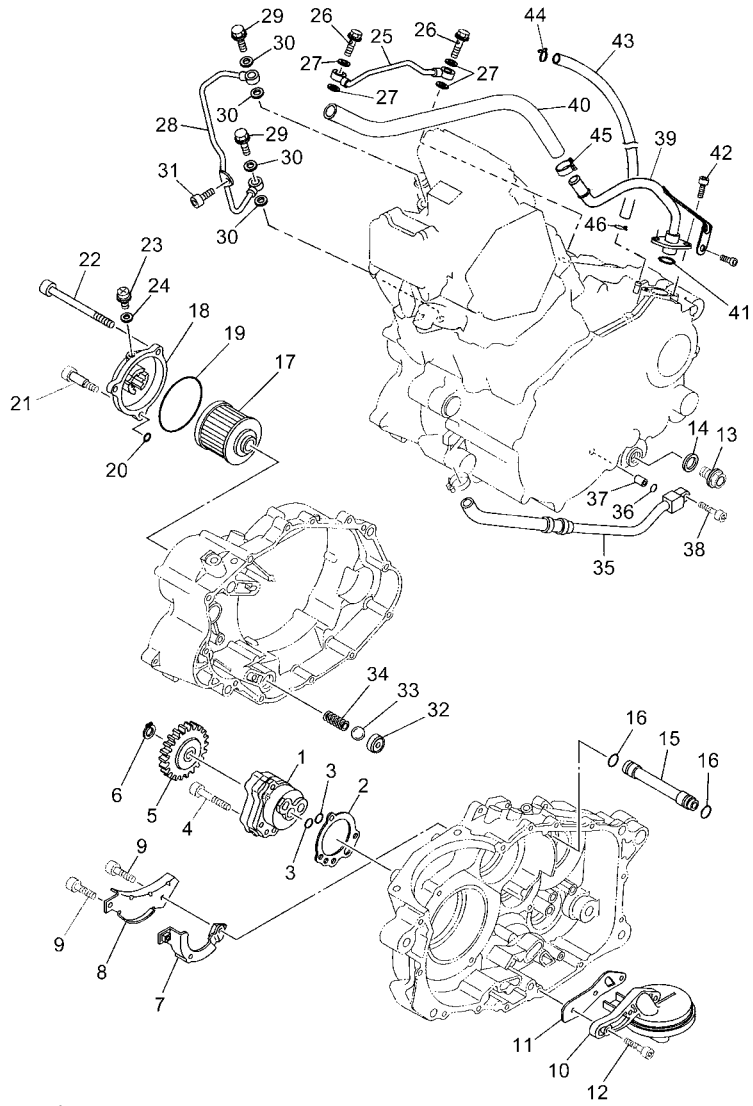
REF. NO.	PART NO.	DESCRIPTION	11D5				REMARKS
28	90480-18276	GROMMET	2				
29	90387-06042	COLLAR	2				
30	90111-06X20	BOLT,HEX. SOCKET BUTTON	2				
31	90480-15363	GROMMET	1				
32	11D-E2498-00	PROTECTOR	1				
33	90111-06X19	BOLT,HEX. SOCKET BUTTON	2				
34	90387-06648	COLLAR	2				
35	2VW-F1736-00	NUT,PLATE	2				
36	11D-F1871-00	TANK, RECOVERY	1				
37	90110-06202	BOLT, HEXAGON SOCKET HEAD	3				
38	90480-14014	GROMMET	3				
39	90387-06161	COLLAR	3				
40	5DS-F1771-00	BODY, CAP	1				
41	11D-F1873-00	BRACKET, RECOVERY TANK	1				
42	90445-08X05	HOSE	1				
43	90467-08003	CLIP	2				
44	90445-08X06	HOSE	1				
45	90467-08003	CLIP	1				
46	90464-08126	CLAMP	1				



11D6300-J080

FIG. 8 OIL PUMP

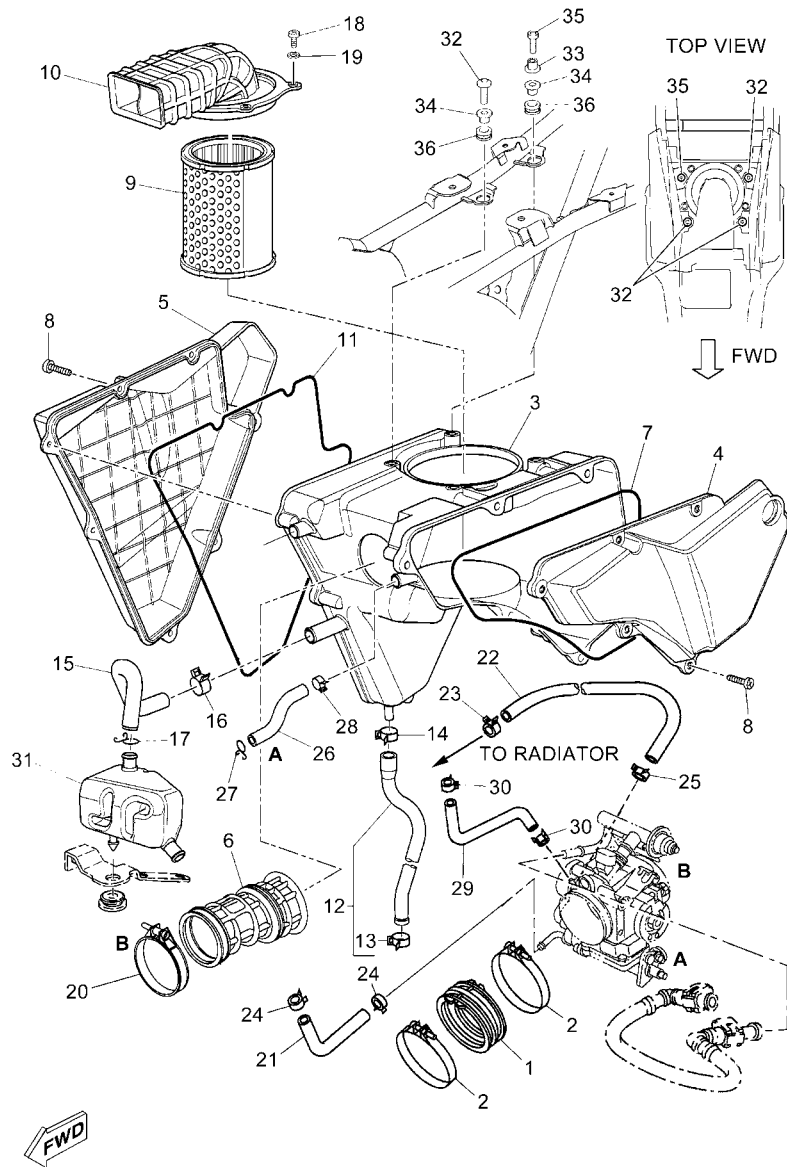
REF. NO.	PART NO.	DESCRIPTION	11D5				REMARKS
1	5VK-E3300-00	OIL PUMP ASSY	1				
2	5LP-13329-00	GASKET, PUMP COVER	1				
3	93210-13X00	O-RING	2				
4	92017-06035	BOLT, BUTTON HEAD	3				
5	3AJ-13325-00	GEAR, PUMP DRIVEN	1				
6	93410-11X00	CIRCLIP	1				
7	5VK-E3356-00	COVER, PUMP 2	1				
8	5VK-E3327-00	COVER, PUMP GEAR	1				
9	91317-05008	BOLT	2				
10	5VK-WE343-00	STRAINER COMP.	1				
11	5VK-E3415-10	SEAL, OIL STRAINER	1				
12	91317-06020	BOLT	3				
13	90340-14132	PLUG, STRAIGHT SCREW	1				
14	214-11198-01	GASKET	1				
15	5VK-E3181-00	PIPE, DELIVERY 3	1				
16	93210-11X00	O-RING	2				
17	4X7-13440-01	ELEMENT ASSY, OIL CLEANER	1				
18	2WK-13447-00	COVER, OIL ELEMENT	1				
19	93210-64X01	O-RING	1				
20	93210-07X01	O-RING	1				
21	90109-06419	BOLT	1				
22	91317-06095	BOLT	2				
23	90149-05110	SCREW	1				
24	90430-05X00	GASKET	1				
25	5VK-13161-00	PIPE, DELIVERY 1	1				
26	90401-08133	BOLT, UNION	2				
27	90430-08X01	GASKET	4				



11D6300-J080

FIG. 8 OIL PUMP

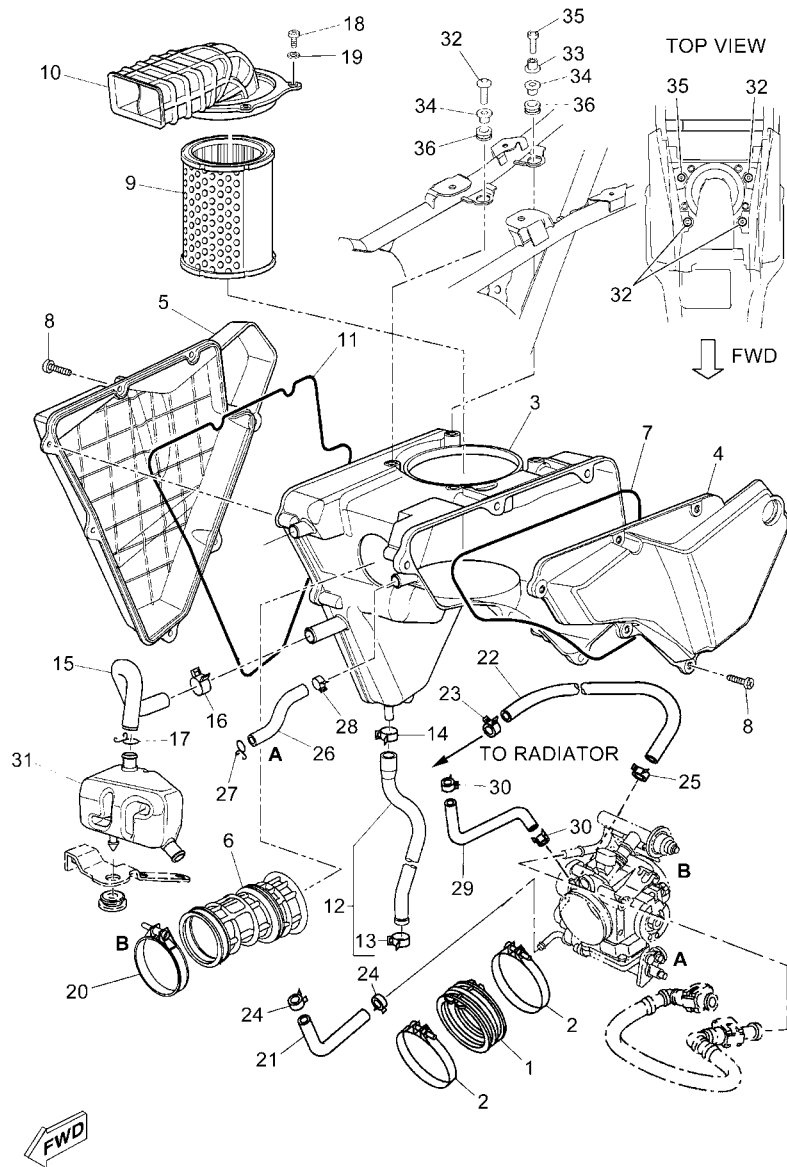
REF. NO.	PART NO.	DESCRIPTION	11D5				REMARKS
28	5VK-13171-00	PIPE, DELIVERY 2	1				
29	90401-10096	BOLT, UNION	2				
30	90430-10X00	GASKET	4				
31	91317-06012	BOLT	1				
32	583-13113-00	SEAT, CHECK BALL	1				
33	93503-08007	BALL	1				
34	90501-04X01	SPRING, COMPRESSION	1				
35	5VK-13464-00	HOSE, OIL 1	1				
36	93210-10X00	O-RING	1				
37	91810-14X00	PIN, DOWEL	1				
38	91317-06025	BOLT	1				
39	11D-13405-00	OIL PIPE COMP. 1	1				
40	11D-13467-00	HOSE	1				
41	93210-15X00	O-RING	1				
42	91317-06016	BOLT	2				
43	90445-11X01	HOSE	1				
44	90467-10008	CLIP	1				
45	90450-20X01	HOSE CLAMP ASSY	1				
46	90467-10008	CLIP	1				



11D6300-J090

FIG. 9 INTAKE

REF. NO.	PART NO.	DESCRIPTION	11D5				REMARKS
1	5VK-E3586-10	JOINT, CARBURETOR 1	1				
2	90450-72003	HOSE CLAMP ASSY	2				
3	11D-E4411-00	CASE, AIR CLEANER 1	1				
4	11D-E441A-00	COVER, CLEANER CASE 1	1				
5	11D-E441E-00	COVER, CLEANER CASE 2	1				
6	11D-E4453-00	JOINT, AIR CLEANER 1	1				
7	11D-E4452-00	SEAL	1				
8	9770M-50030	SCREW, TAPPING	13				
9	11D-E4451-00	ELEMENT, AIR CLEANER	1				
10	11D-E4430-00	DUCT ASSY	1				
11	11D-E4457-00	SEAL	1				
12	11D-E443E-00	PIPE, DRAIN	1				
13	90467-11090	.CLIP	1				
14	90467-12085	CLIP	1				
15	11D-E1167-00	PIPE, BREATHER 2	1				
16	90467-17801	CLIP	1				
17	90467-14800	CLIP	1				
18	92507-06012	SCREW, PAN HEAD	4				
19	92907-06600	WASHER, PLATE	4				
20	90450-59001	HOSE CLAMP ASSY	1				
21	5YK-E243A-10	HOSE 1	1				
22	5YK-E244G-00	HOSE, 4	1				
23	90467-11090	CLIP	1				
24	90467-11108	CLIP	2				
25	90467-11108	CLIP	1				
26	11D-E3545-00	HOSE 1	1				
27	90467-170A2	CLIP	1				

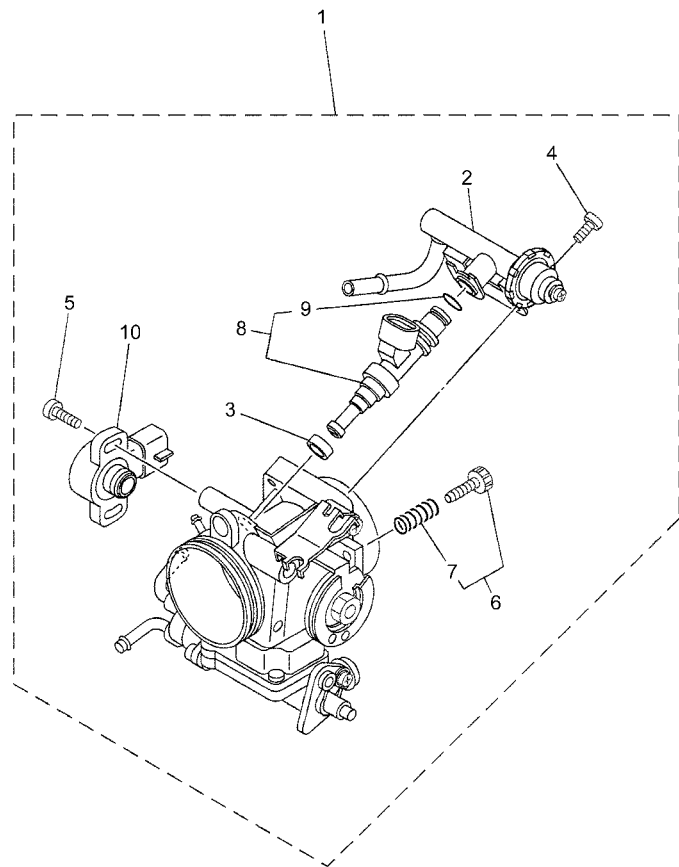


11D6300-J090

FIG. 9 INTAKE

REF. NO.	PART NO.	DESCRIPTION	11D5				REMARKS
28	90467-17128	CLIP	1				
29	11D-E3542-00	HOSE, VACUUM SENSING 1	1				
30	90467-07138	CLIP	2				
31	11D-E5371-11	BREATHER	1				
32	90111-06051	BOLT,HEX. SOCKET BUTTON	3				
33	90387-068P7	COLLAR	1				
34	90387-07037	COLLAR	4				
35	9131L-06035	BOLT	1				
36	90480-18276	GROMMET	4				

FIG. 10 INTAKE 2

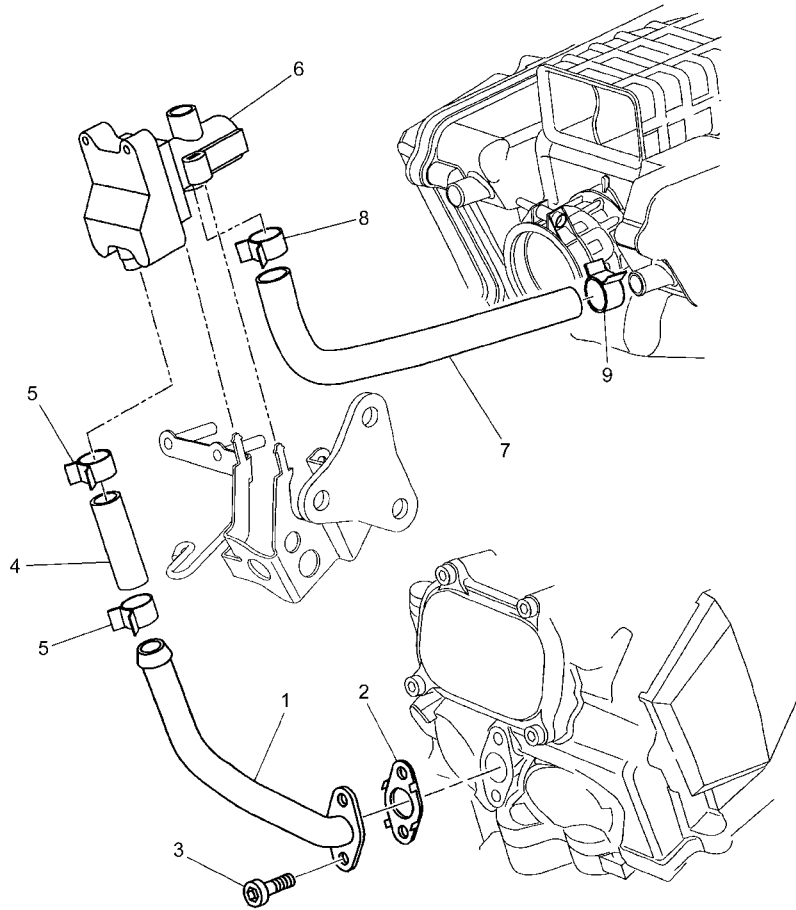


REF. NO.	PART NO.	DESCRIPTION	11D5				REMARKS
1	5YK-13750-11	THROTTLE BODY ASSY	1				
2	5VK-13160-00	.DELIVERY PIPE ASSY 1	1				
3	90430-09002	.GASKET	1				
4	98507-06012	.SCREW, PAN HEAD	2				
5	8CC-14216-10	.SCREW	2				
6	56B-14503-00	.ADJUST SCREW SET	1				
7	5VK-14531-00	..SPRING, ADJUST SCREW	1				
8	5VK-13761-00	.INJECTOR	1				
9	5PS-14147-00	..O-RING	1				
10	3P6-85885-00	.THROTTLE SENSOR ASSY	1				



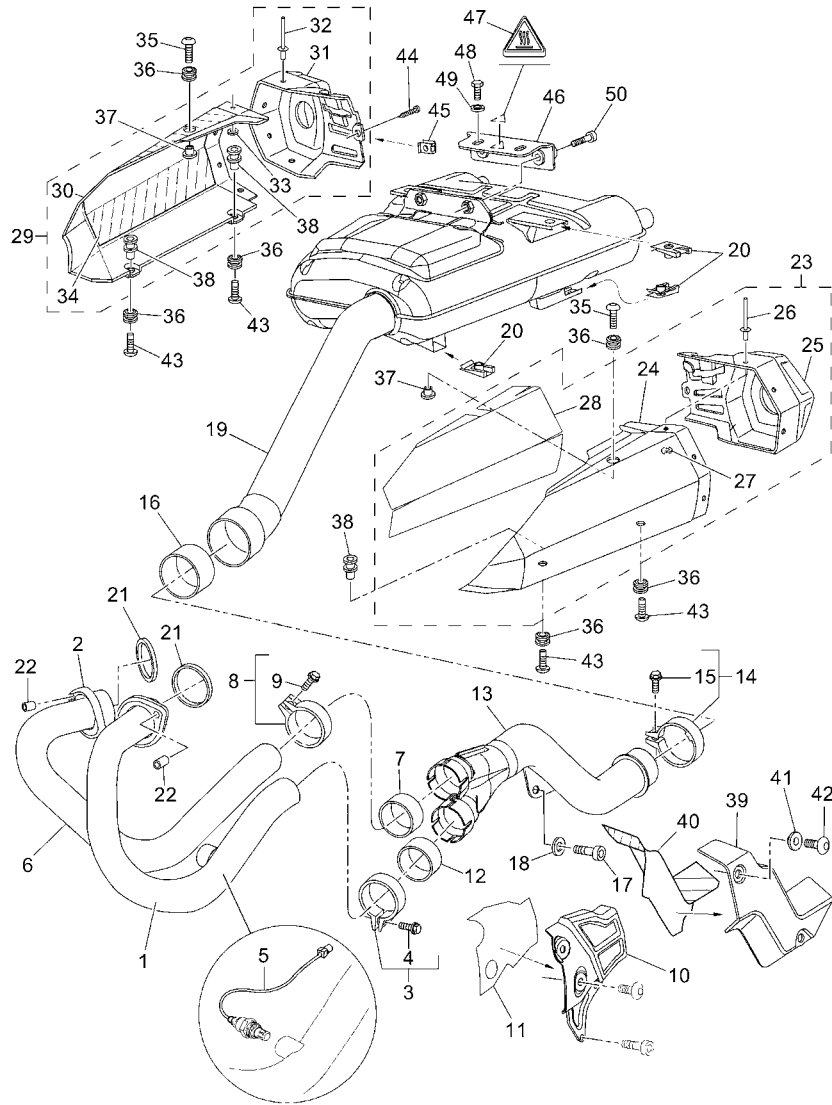
11D6300-J100

FIG. 11 AIR INDUCTION SYSTEM



11D6300-J110

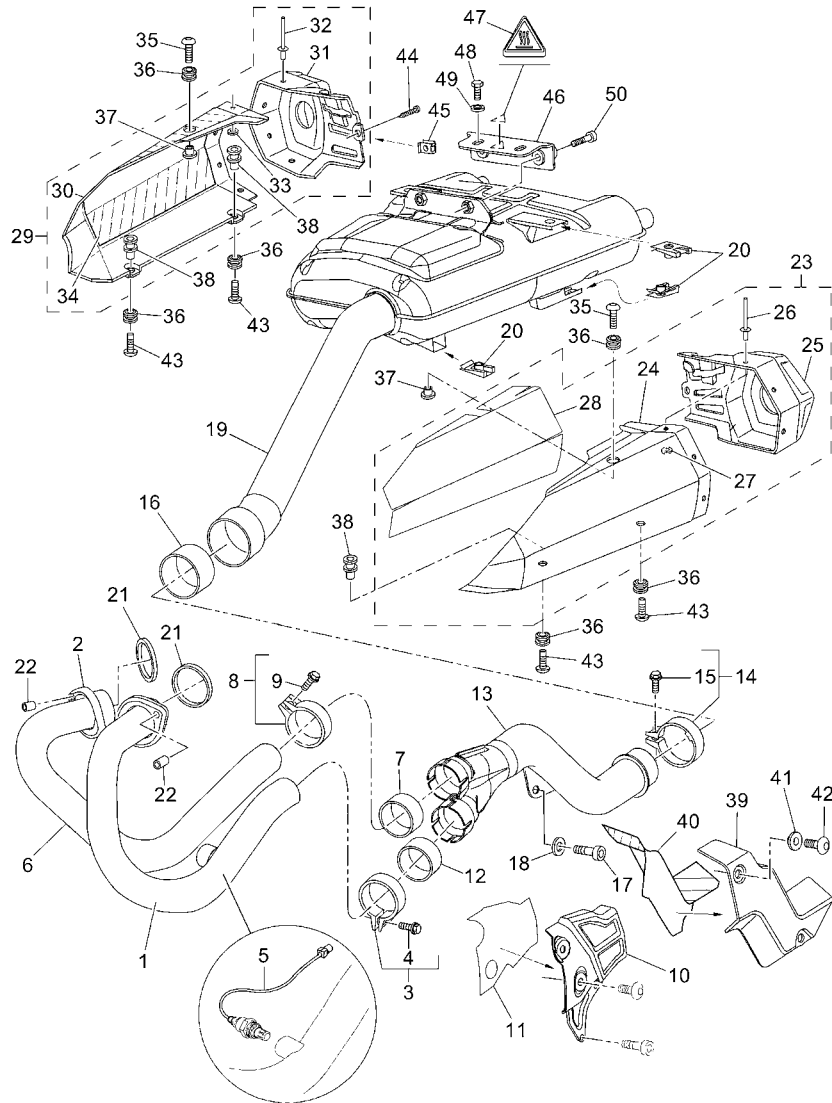
REF. NO.	PART NO.	DESCRIPTION	11D5				REMARKS
1	5VK-14871-02	PIPE 1	1				
2	5VK-14815-00	GASKET	1				
3	91380-06016	BOLT	2				
4	11D-E4881-00	HOSE, BEND 1	1				
5	90467-17089	CLIP	2				
6	5VK-14803-00	AIR INDUCTION SYSTEM ASSY	1				
7	11D-E4882-00	HOSE, BEND 2	1				
8	90467-17089	CLIP	1				
9	90467-170A0	CLIP	1				



11D8300-K120

FIG. 12 EXHAUST

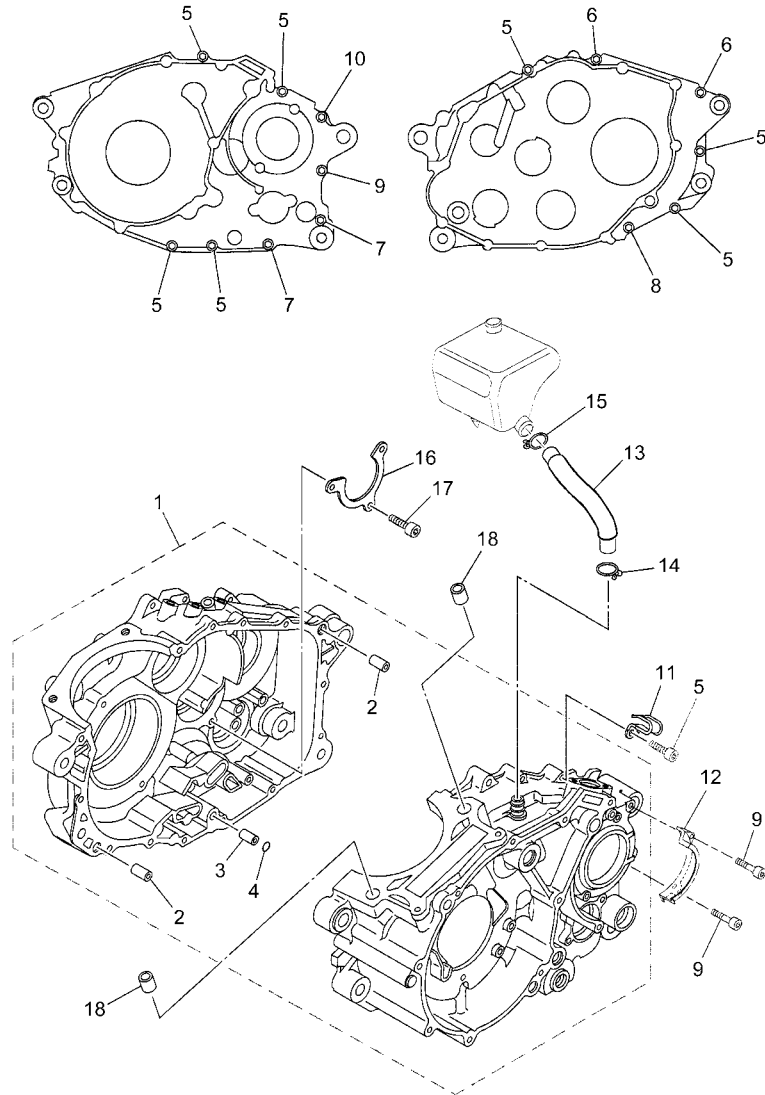
REF. NO.	PART NO.	DESCRIPTION	11D5				REMARKS
1	11D-E4611-00	PIPE, EXHAUST 1	1				
2	5YK-E4612-00	NUT, RING	1				
3	5YK-E477R-00	BAND 1	1				
4	90105-08X20	.BOLT, FLANGE	1				
5	1B9-8592A-00	SENSOR, OXYGEN	1				
6	11D-E4621-00	PIPE, EXHAUST 2	1				
7	4EL-14714-00	GASKET, MUFFLER	1				
8	5YK-E477T-00	BAND 2	1				
9	90105-08X20	.BOLT, FLANGE	1				
10	11D-E4628-00	PROTECTOR, EXHAUST PIPE	1				
11	11D-E113B-01	INSULATOR 3	1				
12	4EL-14714-00	GASKET, MUFFLER	1				
13	11D-E4631-01	PIPE, EXHAUST 3	1				
14	11D-E4715-00	BAND, MUFFLER	1				
15	90105-08X20	.BOLT, FLANGE	1				
16	5YK-E4714-00	GASKET, MUFFLER	1				
17	91380-08020	BOLT	1				
18	5CH-E4766-00	WASHER, PROTECTOR	1				
19	11D-E4710-20	MUFFLER ASSY 1	1				
20	2VW-F1736-00	NUT, PLATE	6				
21	3YF-14613-01	GASKET, EXHAUST PIPE	2				
22	90179-08442	NUT	4				
23	11D-E4708-01	PROTECTOR ASSY	1				
24	11D-E4718-00	.PROTECTOR, MUFFLER 1	1				
25	11D-E4787-00	.CAP, SILENCER	1				
26	90267-40X01	.RIVET, BLIND	4				
27	9290L-04600	.WASHER	4				



11D8300-K120

FIG. 12 EXHAUST

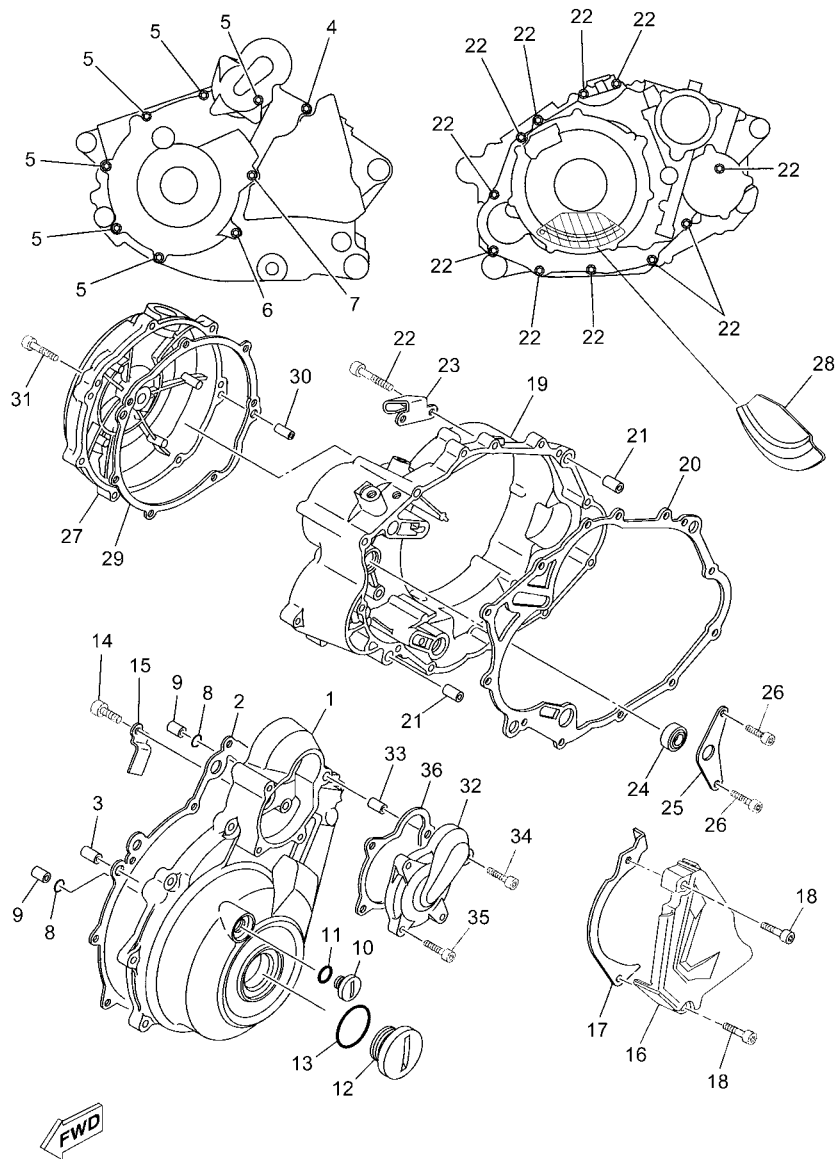
REF. NO.	PART NO.	DESCRIPTION	11D5				REMARKS
28	11D-E111B-01	.INSULATOR 1	1				
29	11D-E4708-11	PROTECTOR ASSY	1				
30	11D-E4728-00	.PROTECTOR, MUFFLER 2	1				
31	11D-E4798-00	.CAP, SILENCER 2	1				
32	90267-40X01	.RIVET, BLIND	4				
33	9290L-04600	.WASHER	4				
34	11D-E112B-01	.INSULATOR 2	1				
35	90111-06023	BOLT,HEX. SOCKET BUTTON	2				
36	90480-12581	GROMMET	6				
37	90387-06X36	COLLAR	2				
38	11D-E4648-00	COLLAR 2	4				
39	11D-E4624-00	COVER, EXHAUST	1				
40	11D-E113B-11	INSULATOR 3	1				
41	90387-06X02	COLLAR	2				
42	90111-06X17	BOLT,HEX. SOCKET BUTTON	2				
43	90111-06068	BOLT,HEX. SOCKET BUTTON	4				
44	90167-04X00	SCREW, TAPPING	1				
45	5DS-F8317-00	NUT, EMBLEM	1				
46	11D-E4770-00	STAY, MUFFLER 1	1				
47	5YK-F117B-A0	LABEL, WARNING	1				
48	95817-08014	BOLT, FLANGE	2				
49	90201-086A3	WASHER, PLATE	2				
50	91380-08030	BOLT	2				



11D6300-J130

FIG. 13 CRANKCASE

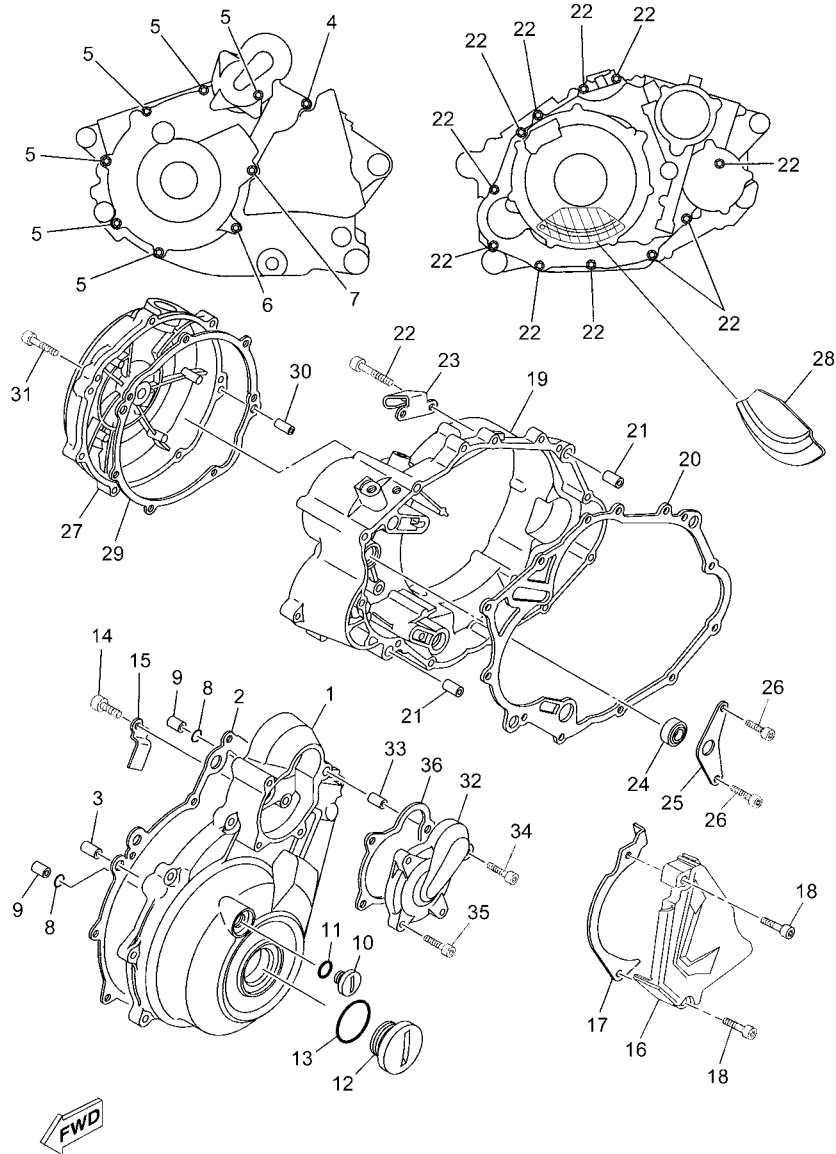
REF. NO.	PART NO.	DESCRIPTION	11D5				REMARKS
1	5VK-E5100-00	CRANKCASE ASSY	1				
2	99530-12016	.PIN, DOWEL	2				
3	91808-16X00	.PIN, DOWEL	1				
4	93210-07X01	.O-RING	1				
5	91317-06030	BOLT	7				
6	91317-06045	BOLT	2				
7	91317-06055	BOLT	2				
8	91317-06060	BOLT	1				
9	91317-06080	BOLT	1				
10	91317-06090	BOLT	1				
11	90462-07X00	CLAMP	1				
12	11D-E5492-01	COVER	1				
13	5YK-E1166-00	PIPE, BREATHER 1	1				
14	90467-14015	CLIP	1				
15	90467-14015	CLIP	1				
16	5VK-E5383-00	PLATE, BEARING COVER	1				
17	91317-06016	BOLT	3				
18	99530-14016	PIN, DOWEL	2				



11D6300-J140

FIG. 14 CRANKCASE COVER 1

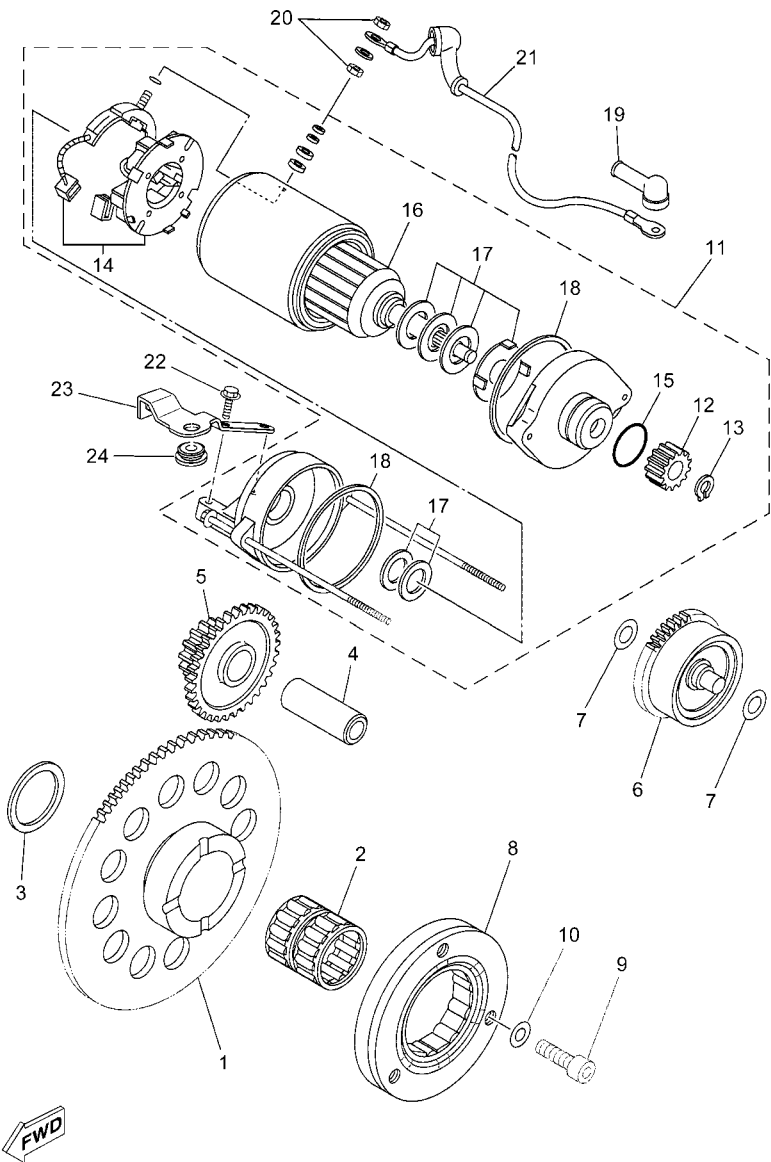
REF. NO.	PART NO.	DESCRIPTION	11D5				REMARKS
1	5VK-WE541-00	CRANKCASE COVER ASSY 1	1				
2	5VK-E5451-10	GASKET, CRANKCASE COVER 1	1				
3	99530-12016	PIN, DOWEL	2				
4	91317-06035	BOLT	1				
5	91317-06025	BOLT	6				
6	91317-06050	BOLT	1				
7	91317-06050	BOLT	1				
8	93210-13X00	O-RING	2				
9	99530-12016	PIN, DOWEL	2				
10	90340-14X00	PLUG, STRAIGHT SCREW	1				
11	93210-14X00	O-RING	1				
12	90340-36X00	PLUG, STRAIGHT SCREW	1				
13	93210-35X00	O-RING	1				
14	91317-06012	BOLT	1				
15	90462-16X00	CLAMP	1				
16	11D-E5421-00	COVER, CRANKCASE 2	1				
17	5VK-E7466-00	GUIDE, CHAIN	1				
18	91317-06045	BOLT	2				
19	5VK-E5431-00	COVER, CRANKCASE 3	1				
20	5VK-E5462-10	GASKET, CRANKCASE COVER 3	1				
21	99530-12016	PIN, DOWEL	2				
22	91317-06030	BOLT	11				
23	5VK-E5441-01	HOLDER, CLUTCH CABLE	1				
24	93101-14164	OIL SEAL	1				
25	5VK-E5118-00	HOLDER	1				
26	91317-06012	BOLT	2				
27	5VK-E5416-00	COVER, OIL PUMP	1				



11D6300-J140

FIG. 14 CRANKCASE COVER 1

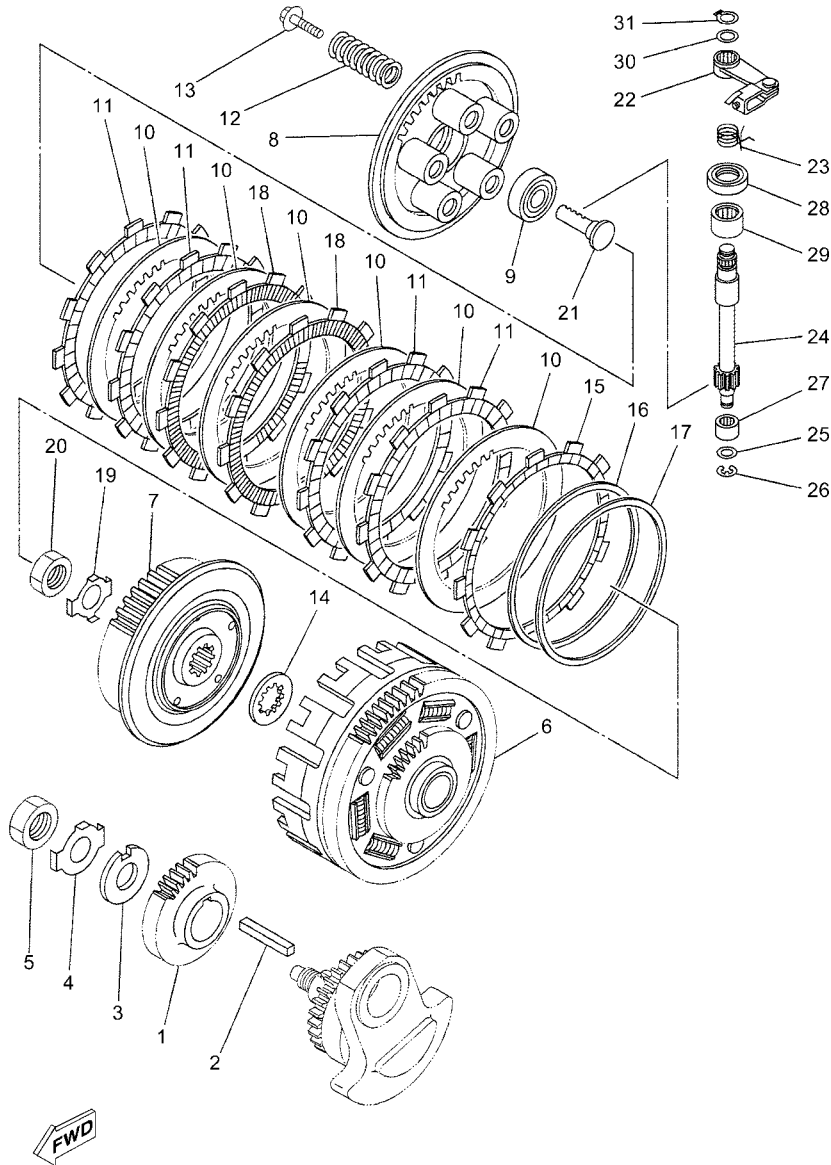
REF. NO.	PART NO.	DESCRIPTION	11D5				REMARKS
28	11D-E5491-00	PROTECTOR	1				
29	5VK-E5453-10	GASKET	1				
30	91808-16X00	PIN, DOWEL	2				
31	95027-06025	BOLT, FLANGE	7				
32	5VK-WE544-10	GENERATOR COVER ASSY	1				
33	91808-16X00	PIN, DOWEL	1				
34	91317-06035	BOLT	1				
35	91317-06025	BOLT	3				
36	5VK-15455-00	GASKET 1	1				



11D6300-J150

FIG. 15 STARTER

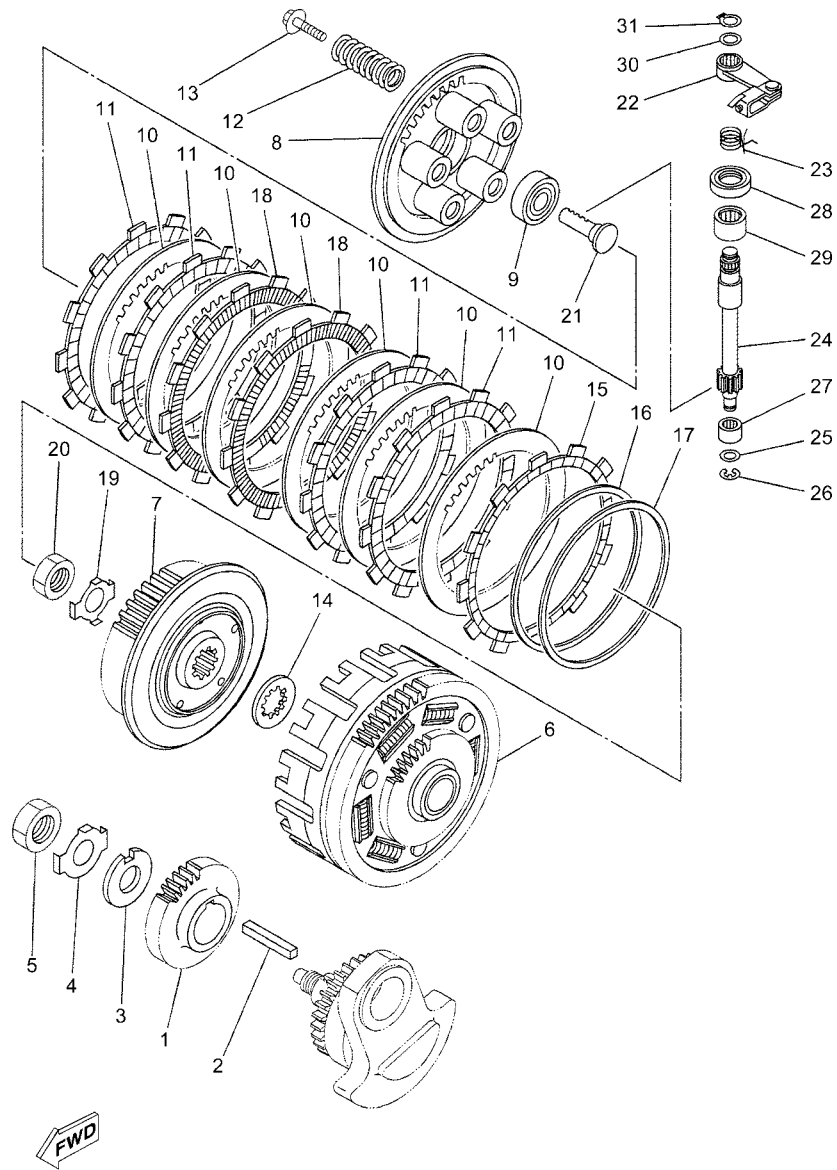
REF. NO.	PART NO.	DESCRIPTION	11D5				REMARKS
1	5VK-E5515-00	GEAR 3	1				
2	93310-530C7	BEARING	1				
3	90201-30X01	WASHER, PLATE	1				
4	5VK-E5522-00	SHAFT 2	1				
5	5VK-E5517-00	GEAR, IDLER 2	1				
6	5VK-E5560-00	DAMPER ASSY	1				
7	90201-10X18	WASHER, PLATE	2				
8	5VK-15590-00	STARTER ONE-WAY ASSY	1				
9	91317-08025	BOLT	3				
10	90201-08X18	WASHER, PLATE	3				
11	3SX-H1890-00	MOTOR ASSY	1				
12	5VK-E5511-00	.GEAR, STARTING MOTOR	1				
13	93440-11024	.CIRCLIP	1				
14	5VK-H1801-00	.BRUSH SET	1				
15	5VK-H1847-00	.O-RING	1				
16	5VK-H1850-00	.ARMATURE ASSY	1				
17	5VK-H1809-00	.WASHER KIT	1				
18	5VK-H1844-00	.GASKET	2				
19	5VK-H1871-00	CAP	1				
20	5VK-H182A-00	NUT	2				
21	5VK-H1815-00	CORD, STARTER MOTOR	1				
22	95817-06035	BOLT, FLANGE	2				
23	11D-E5199-00	BRACKET	1				
24	90480-13398	GROMMET	1				



11D6300-J160

FIG. 16 CLUTCH

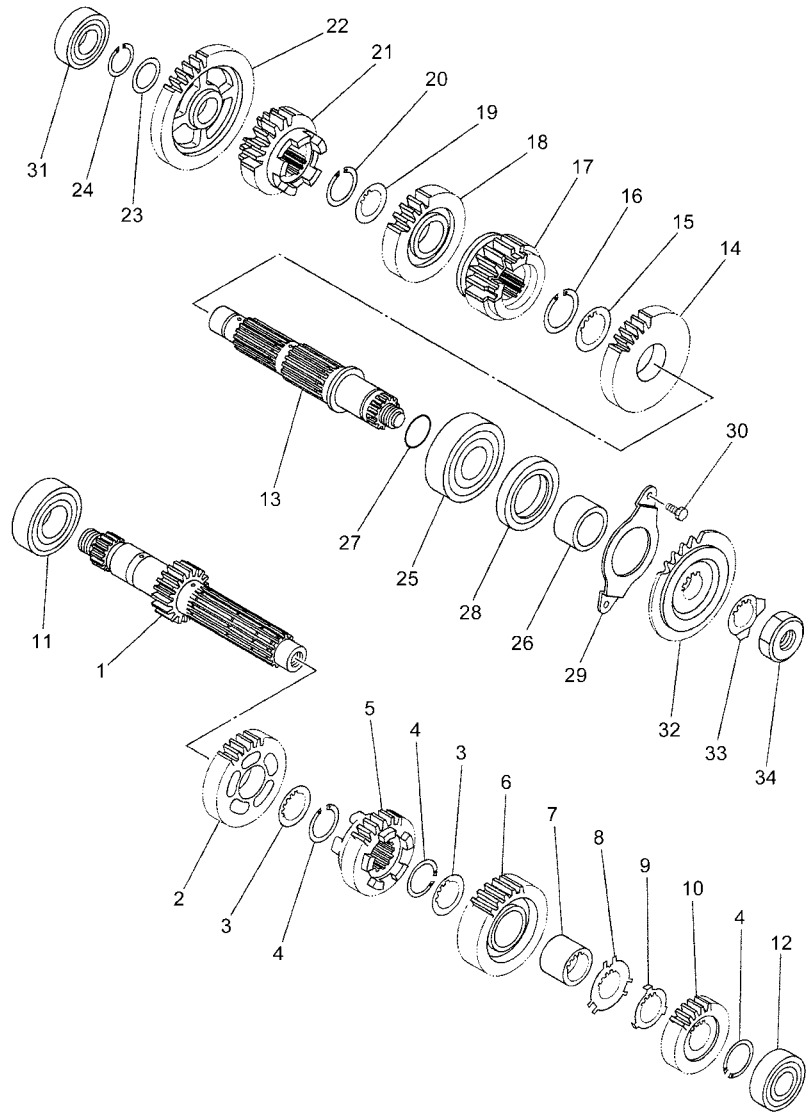
REF. NO.	PART NO.	DESCRIPTION	11D5				REMARKS
1	5VK-E6111-00	GEAR, PRIMARY DRIVE	1				
2	90282-07001	KEY, STRAIGHT	1				
3	90209-20012	WASHER	1				
4	90215-20X00	WASHER, LOCK	1				
5	90170-20274	NUT	1				
6	5VK-E6150-10	PRIMARY DRIVEN GEAR COMP.	1				
7	5VK-E6371-00	BOSS, CLUTCH	1				
8	5VK-E6351-00	PLATE, PRESSURE 1	1				
9	93306-00304	BEARING	1				
10	5VK-E6325-00	PLATE, CLUTCH 2	6				
11	22U-16321-00	PLATE, FRICTION	4				
12	90501-26X00	SPRING, COMPRESSION	5				
13	90119-06105	BOLT, WITH WASHER	5				
14	5VK-E6154-00	PLATE, THRUST 1	1				
15	5VK-16331-00	PLATE, FRICTION 2	1				
16	5VK-E6383-00	SPRING, CUSHION	1				
17	5VK-E6384-00	PLATE, SEAT	1				
18	5TA-16321-00	PLATE, FRICTION	2				
19	90215-20X01	WASHER, LOCK	1				
20	90170-20327	NUT	1				
21	4XV-16356-01	ROD, PUSH 1	1				
22	5VK-16340-00	PUSH LEVER ASSY	1				
23	90508-16X00	SPRING, TORSION	1				
24	5VK-E6382-00	AXLE, PUSH LEVER	1				
25	90201-08X19	WASHER, PLATE	1				
26	99001-07600	CIRCLIP	1				
27	93317-11096	BEARING	1				



11D6300-J160

FIG. 16 CLUTCH

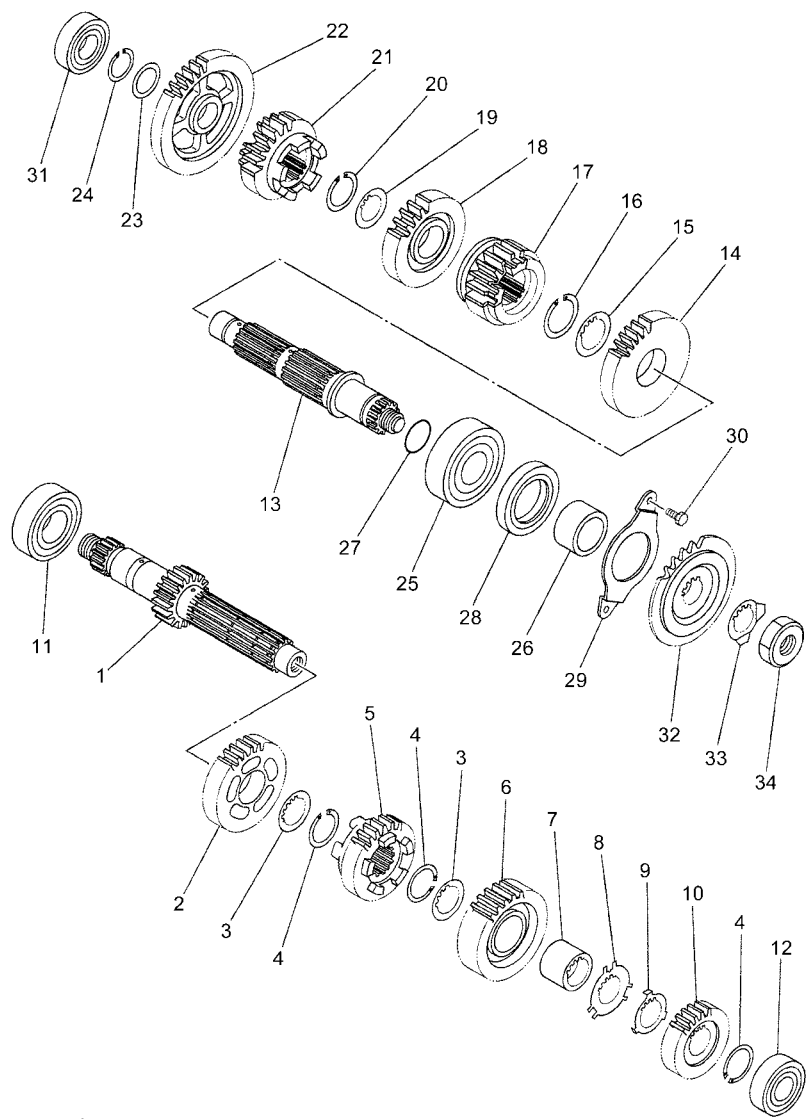
REF. NO.	PART NO.	DESCRIPTION	11D5				REMARKS
28	93102-15212	OIL SEAL	1				
29	93315-31502	BEARING	1				
30	90201-10X17	WASHER, PLATE	1				
31	93410-10X00	CIRCLIP	1				



11D6300-J170

FIG. 17 TRANSMISSION

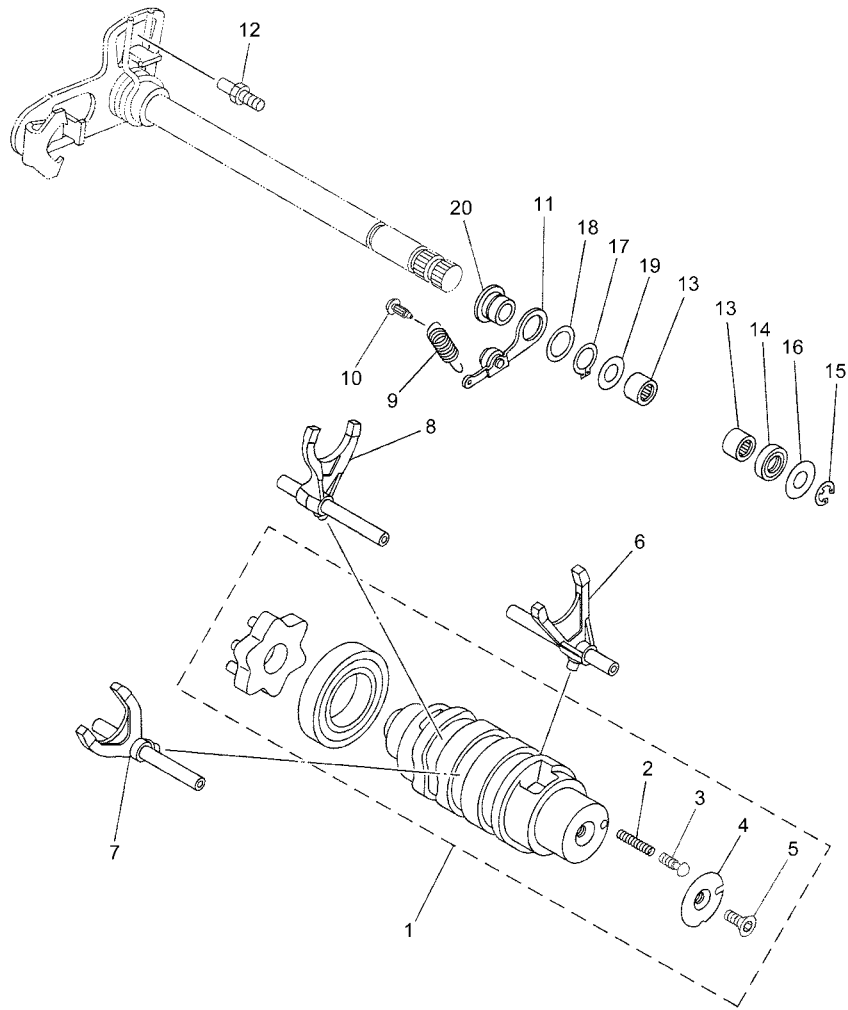
REF. NO.	PART NO.	DESCRIPTION	11D5				REMARKS
1	5VK-E7401-10	MAIN AXLE ASSY	1				
2	5VK-E7141-10	GEAR, 4TH PINION (22T)	1				
3	90209-21X00	WASHER	2				
4	93440-25084	CIRCLIP	3				
5	5VK-E7131-10	GEAR, 3RD PINION (20T)	1				
6	5VK-E7151-10	GEAR, 5TH PINION (26T)	1				
7	90387-21002	COLLAR	1				
8	90209-22X00	WASHER	1				
9	90209-21351	WASHER	1				
10	5VK-E7121-10	GEAR, 2ND PINION	1				
11	93306-205XA	BEARING	1				
12	93306-004XL	BEARING	1				
13	5VK-E7402-10	DRIVE AXLE ASSY	1				
14	5VK-E7221-10	GEAR, 2ND WHEEL (26T)	1				
15	90209-26348	WASHER	1				
16	93440-28062	CIRCLIP	1				
17	5VK-E7251-10	GEAR, 5TH WHEEL (20T)	1				
18	5VK-E7231-10	GEAR, 3RD WHEEL (23T)	1				
19	90209-21X00	WASHER	1				
20	93440-25084	CIRCLIP	1				
21	5VK-E7241-10	GEAR, 4TH WHEEL (20T)	1				
22	5VK-E7211-10	GEAR, 1ST WHEEL (30T)	1				
23	90201-208G4	WASHER, PLATE	1				
24	93410-20825	CIRCLIP	1				
25	93306-305X4	BEARING	1				
26	90387-25802	COLLAR	1				
27	93210-22X00	O-RING	1				



11D6300-J170

FIG. 17 TRANSMISSION

REF. NO.	PART NO.	DESCRIPTION	11D5				REMARKS
28	93102-35368	OIL SEAL	1				
29	5VK-E7471-00	PLATE, COVER	1				
30	90101-06X26	BOLT	2				
31	93306-004XM	BEARING	1				
32	5VK-E7460-10	SPROCKET, DRIVE (13T)	1				
33	90215-21X00	WASHER, LOCK	1				
34	90179-18003	NUT	1				

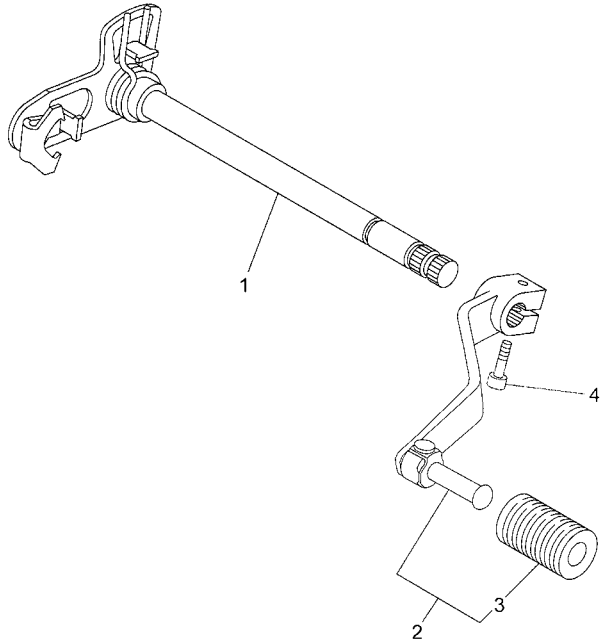


11D6300-J180

FIG. 18 SHIFT CAM & FORK

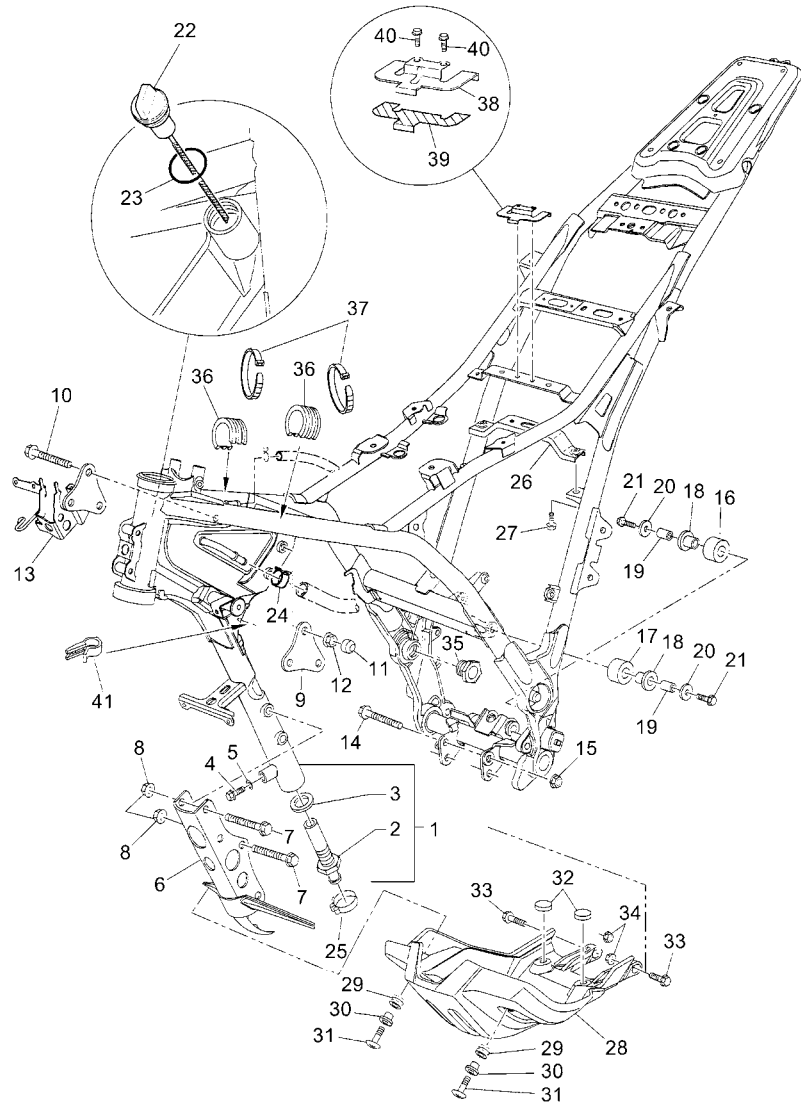
REF. NO.	PART NO.	DESCRIPTION	11D5				REMARKS
1	5VK-E8540-10	SHIFT CAM ASSY	1				
2	90501-06X00	.SPRING, COMPRESSION	1				
3	5VK-E8542-00	.POINT, NEUTRAL	1				
4	5VK-E8566-00	.PLATE, SIDE 2	1				
5	90149-05X05	.SCREW	1				
6	5VK-E8501-00	FORK, SHIFT 1	1				
7	5VK-E8502-00	FORK, SHIFT 2	1				
8	5VK-E8503-00	FORK, SHIFT 3	1				
9	5VK-E8144-00	HANGER, SPRING	1				
10	132-16346-00	HOOK, SPRING	1				
11	5JW-18140-00	STOPPER LEVER ASSY	1				
12	5VK-18127-00	STOPPER, SCREW	1				
13	93315-11206	BEARING	2				
14	93102-12106	OIL SEAL (SD 12-22-5 HS)	1				
15	99001-10600	CIRCLIP	1				
16	90201-12X06	WASHER, PLATE	1				
17	93410-17X00	CIRCLIP	1				
18	90201-17X01	WASHER, PLATE	1				
19	90201-12X05	WASHER, PLATE	1				
20	5VK-E8699-00	BOSS 1	1				

FIG. 19 SHIFT SHAFT



REF. NO.	PART NO.	DESCRIPTION	11D5				REMARKS
1	5VK-18101-00	SHIFT SHAFT ASSY	1				
2	11D-E8110-00	SHIFT PEDAL ASSY	1				
3	5VK-E8113-00	.COVER, SHIFT PEDAL	1				
4	91317-06020	BOLT	1				

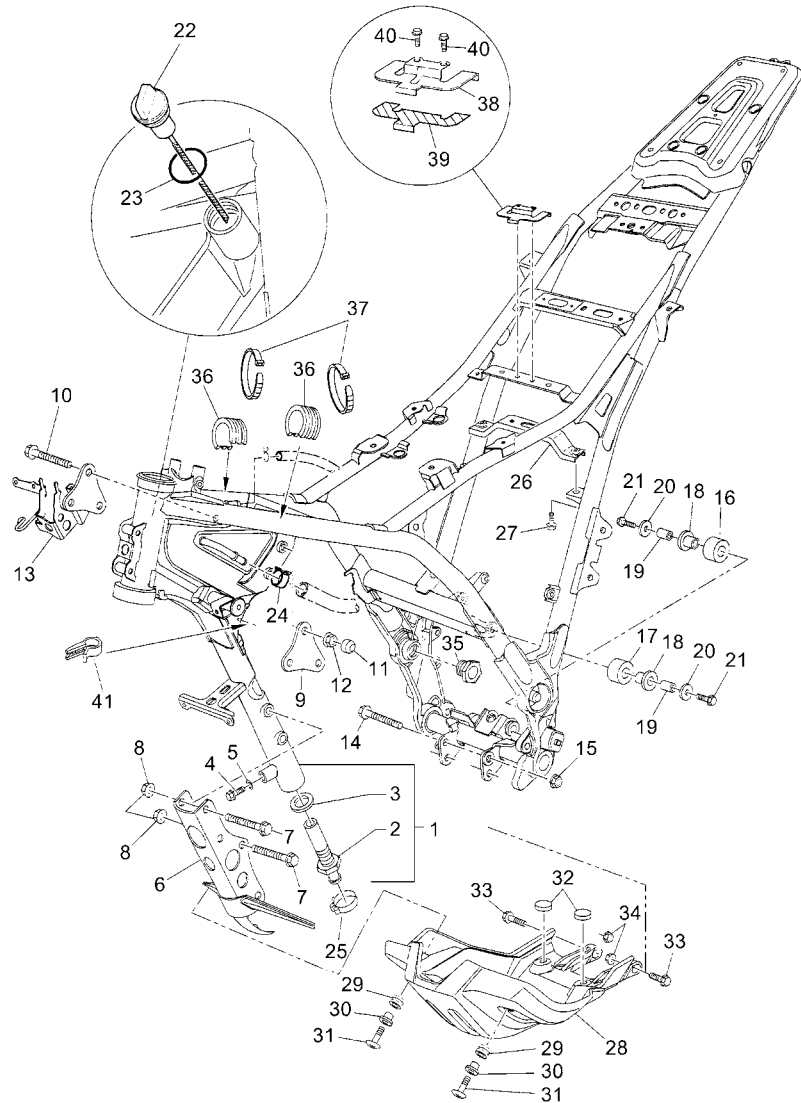
FWD
11D6300-J190



11D6300-J200

FIG. 20 FRAME

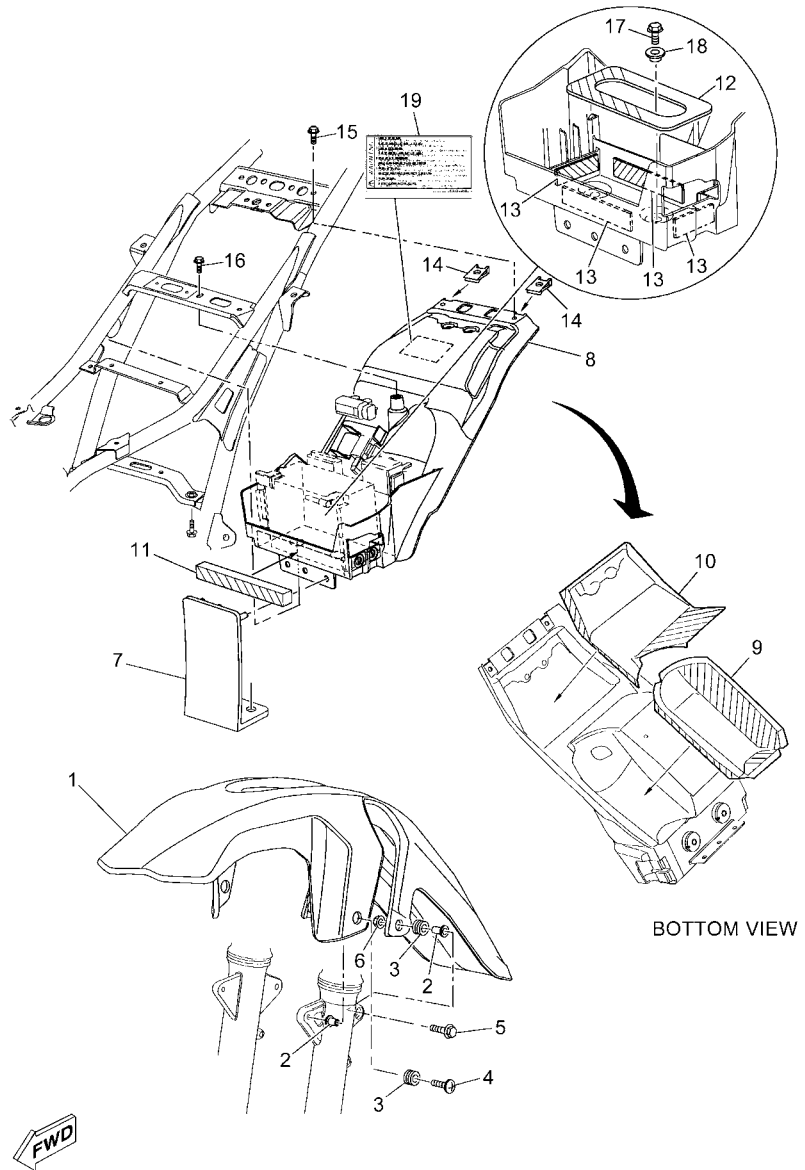
REF. NO.	PART NO.	DESCRIPTION	11D5				REMARKS
1	11D-F1110-01-98	FRAME COMP.	1				LGB FOR BMC,SMX
2	5VK-F1756-00	.NET, FILTER	1				
3	90430-22123	.GASKET	1				
4	9581M-08012	BOLT, FLANGE	1				
5	90430-08119	GASKET	1				
6	11D-F1400-00	ENGINE BRACKET COMP.	1				
7	95817-10070	BOLT, FLANGE	4				
8	95607-10200	NUT, U FLANGE	4				
9	11D-F1315-00	STAY, ENGINE 2	1				
10	90105-10212	BOLT, FLANGE	3				
11	5YK-F1399-00	CAP	3				
12	95607-10200	NUT, U FLANGE	3				
13	11D-F1410-00	ENGINE BRACKET COMP.	1				
14	90105-10733	BOLT, FLANGE	1				
15	95607-10200	NUT, U FLANGE	1				
16	30X-22178-00	TENSIONER	1				
17	10V-22178-00	TENSIONER	1				
18	10V-22184-00	BUSH	2				
19	90387-08024	COLLAR	2				
20	90201-082H0	WASHER, PLATE	2				
21	95827-08040	BOLT, FLANGE	2				
22	11D-F1761-00	GAUGE, LEVEL	1				
23	93210-19123	O-RING	1				
24	90467-17800	CLIP	1				
25	90450-20X01	HOSE CLAMP ASSY	1				
26	11D-F1344-00	BRACKET, BATTERY BOX	1				
27	9581M-06012	BOLT, FLANGE	2				



11D6300-J200

FIG. 20 FRAME

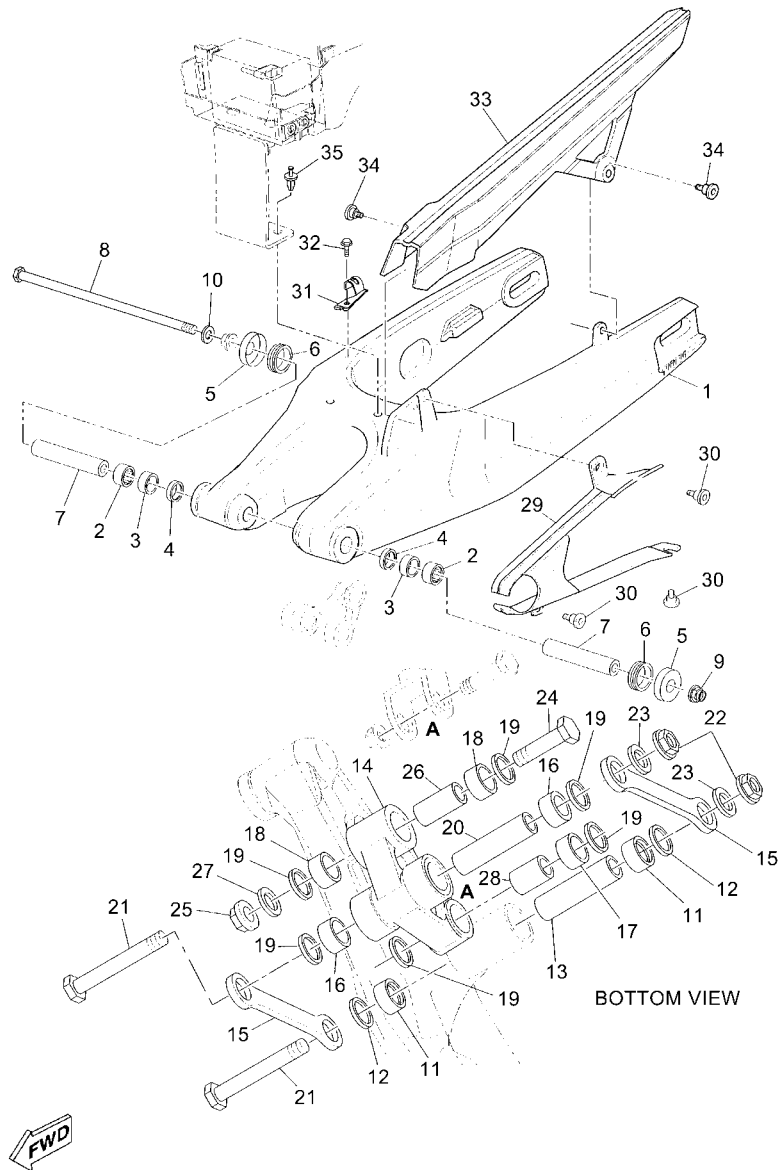
REF. NO.	PART NO.	DESCRIPTION	11D5				REMARKS
28	11D-F1471-00	PROTECTOR, ENGINE	1				
29	90480-12072	GROMMET	2				
30	90387-065J6	COLLAR	2				
31	90154-06061	SCREW, BINDING	2				
32	2J5-21732-00	SEAL 1	2				
33	95817-10035	BOLT, FLANGE	2				
34	95607-10200	NUT, U FLANGE	2				
35	11D-F1494-00	NUT	1				
36	11D-F4183-00	DAMPER, LOCATING 3	2				
37	90464-90X00	CLAMP	2				
38	11D-F118W-10	STOPPER	1				
39	11D-F177M-00	DAMPER, LOCATING 3	1				
40	95807-06010	BOLT, FLANGE	2				
41	90464-10X03	CLAMP	1				



11D6300-J210

FIG. 21 FENDER

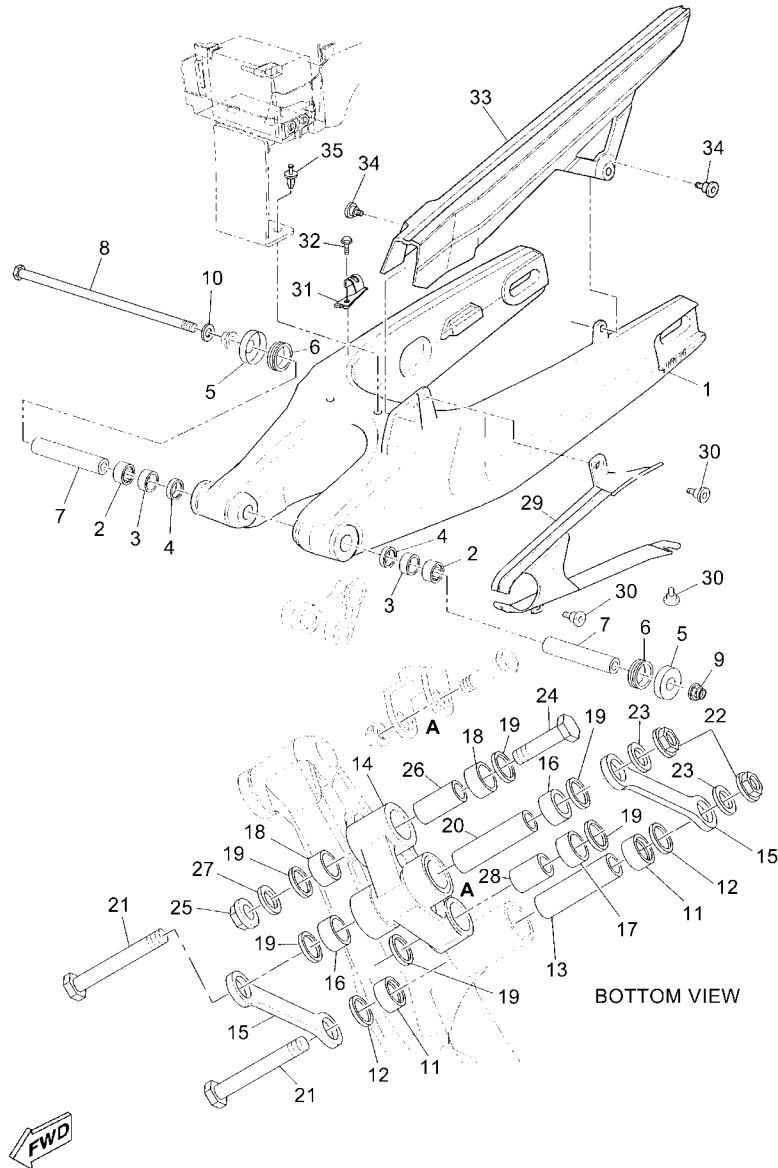
REF. NO.	PART NO.	DESCRIPTION	11D5			REMARKS
1	11D-F1511-00-P0	FENDER, FRONT	1			FOR SMX
	11D-F1511-00-P3	FENDER, FRONT	1			FOR BMC
2	90387-065J6	COLLAR	4			
3	90480-12497	GROMMET	4			
4	90154-06061	SCREW, BINDING	2			
5	95024-06025	BOLT, FLG.(SMALL HEAD)	2			
6	90179-06403	NUT	2			
7	11D-F1629-00	GUARD, MUD	1			
8	11D-F177G-00	BOX, BATTERY	1			
9	11D-F174A-01	INSULATOR, SIDE COVER	1			
10	11D-F174T-01	INSULATOR, SIDE COVER 2	1			
11	11D-F177N-00	DAMPER, LOCATING 4	1			
12	11D-F1778-00	DAMPER, LOCATING 1	1			
13	11D-F1779-00	DAMPER, LOCATING 2	4			
14	2VW-F1736-00	NUT,PLATE	2			
15	95807-06016	BOLT, FLANGE	2			
16	95807-06008	BOLT, FLANGE	1			
17	95807-06016	BOLT, FLANGE	2			
18	90387-06202	COLLAR	2			
19	11D-F819R-10	TAG, WARNING	1			



11D6300-J220

FIG. 22 REAR ARM

REF. NO.	PART NO.	DESCRIPTION	11D5				REMARKS
1	11D-F2110-00	REAR ARM COMP.	1				
2	93315-22251	BEARING	2				
3	90380-22111	BUSH, SOLID	2				
4	93106-22019	OIL SEAL (DC 22-28-8)	2				
5	30X-2219X-00	COVER	2				
6	93108-35004	OIL SEAL (35-41-8)	2				
7	11D-F2123-00	BUSH 1	2				
8	4YR-22141-10	SHAFT, PIVOT	1				
9	95604-16200	NUT, U FLANGE	1				
10	90201-16021	WASHER, PLATE	1				
11	93317-21746	BEARING	2				
12	93109-17071	OIL SEAL	2				
13	90387-126Y1	COLLAR	1				
14	11D-F217A-00	ARM, RELAY	1				
15	5JN-F217M-00	ARM 1	2				
16	93317-21746	BEARING	2				
17	93317-31771	BEARING	1				
18	93315-31758	BEARING	2				
19	93109-17071	OIL SEAL	6				
20	90387-126Y1	COLLAR	1				
21	90109-12X00	BOLT	2				
22	90185-12119	NUT, SELF-LOCKING	2				
23	90201-124G9	WASHER, PLATE	2				
24	90101-12002	BOLT	1				
25	95617-12100	NUT, U	1				
26	90387-124V0	COLLAR	1				
27	90201-124G9	WASHER, PLATE	1				

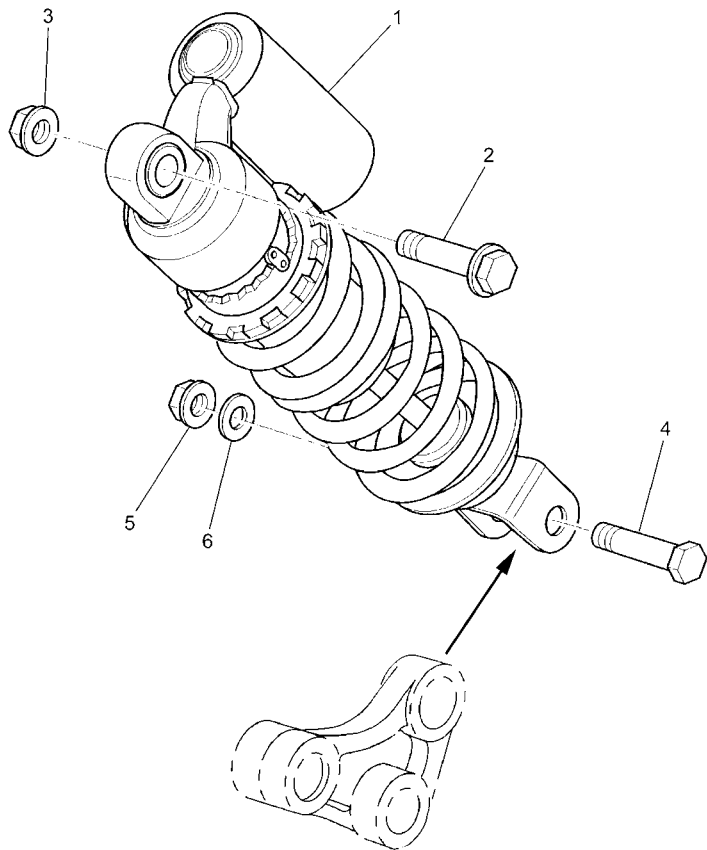


11D6300-J220

FIG. 22 REAR ARM

REF. NO.	PART NO.	DESCRIPTION	11D5			REMARKS
28	90387-127W0	COLLAR	1			
29	11D-F2151-00	SEAL, GUARD	1			
30	1C3-22969-10	SCREW, 1	4			
31	11D-F1823-00	CLAMP, HOSE	1			
32	95027-06012	BOLT, FLANGE	1			
33	11D-F2311-00	CASE, CHAIN	1			
34	1C3-22969-10	SCREW, 1	3			
35	90269-08066	RIVET	2			

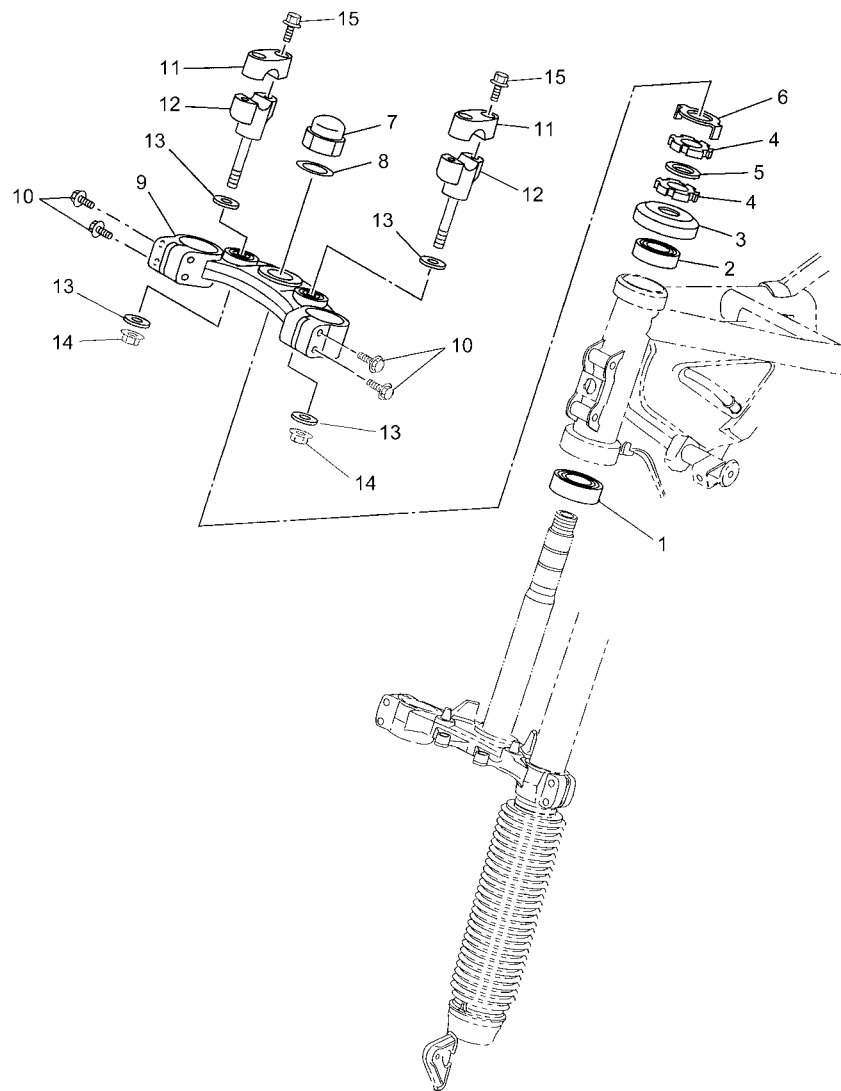
FIG. 23 REAR SUSPENSION



REF. NO.	PART NO.	DESCRIPTION	11D5				REMARKS
1	11D-F2210-00	SHOCK ABSORBER ASSY, REAR	1				
2	90105-12028	BOLT, FLANGE	1				
3	95607-12200	NUT, SELF-LOCKING	1				
4	90101-10659	BOLT	1				
5	95607-10200	NUT, U FLANGE	1				
6	90201-101J1	WASHER, PLATE	1				



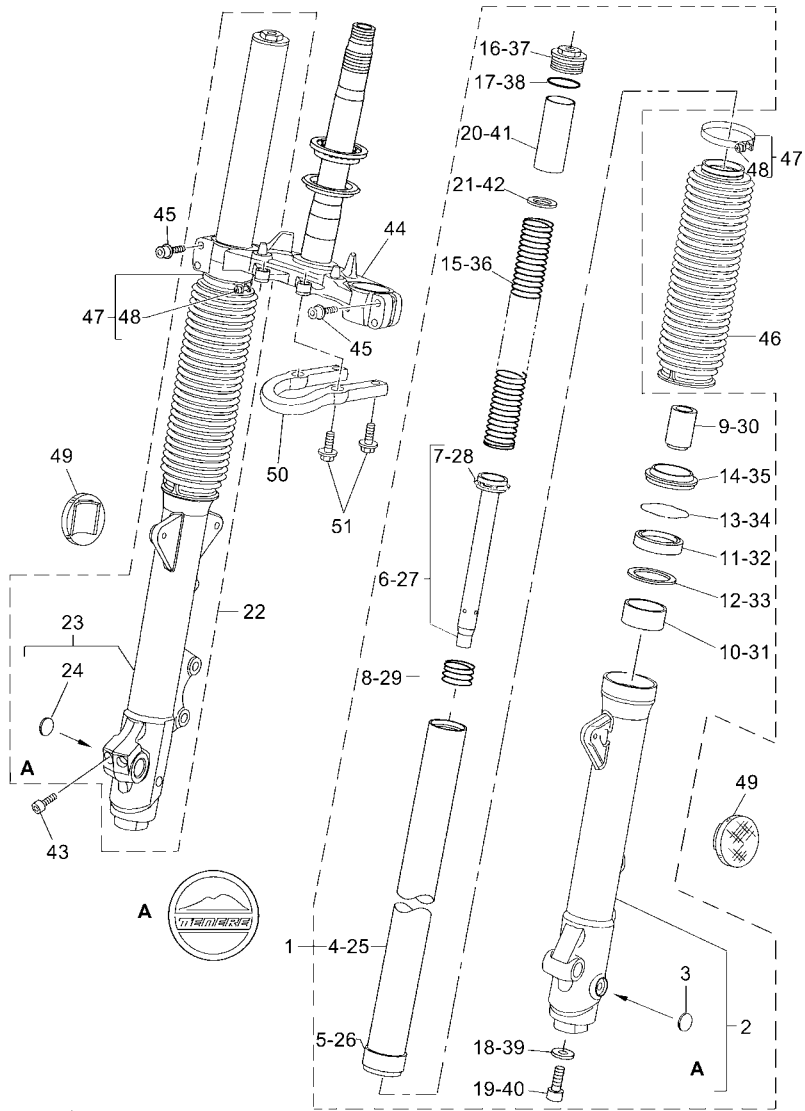
11D6300-J230



11D6300-J240

FIG. 24 STEERING

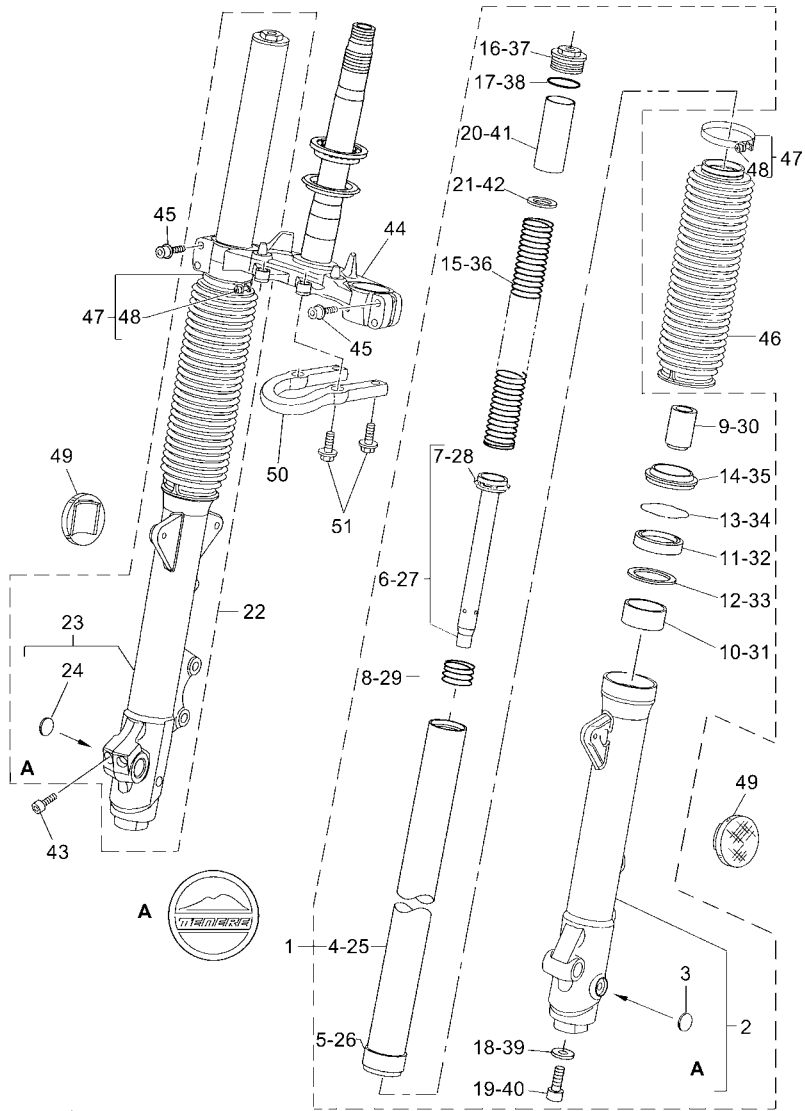
REF. NO.	PART NO.	DESCRIPTION	11D5				REMARKS
1	93332-00008	BEARING	1				
2	93332-00001	BEARING	1				
3	1W1-23416-00	COVER, BALL RACE 2	1				
4	90179-25615	NUT	2				
5	90202-26142	WASHER, PLATE	1				
6	3YF-23418-00	WASHER, SPECIAL	1				
7	90176-22081	NUT, CROWN	1				
8	90201-220T0	WASHER, PLATE	1				
9	11D-F3430-00	HANDLE CROWN COMP.	1				
10	90105-08154	BOLT, FLANGE	4				
11	1E6-23441-10-35	HOLDER, HANDLE UPPER	2				SL FOR BMC,SMX
12	3AJ-23442-00-35	HOLDER, HANDLE LOWER	2				SL FOR BMC,SMX
13	90201-10141	WASHER, PLATE	4				
14	95607-10200	NUT, U FLANGE	2				
15	90105-08154	BOLT, FLANGE	4				



11D7710-J250

FIG. 25 FRONT FORK

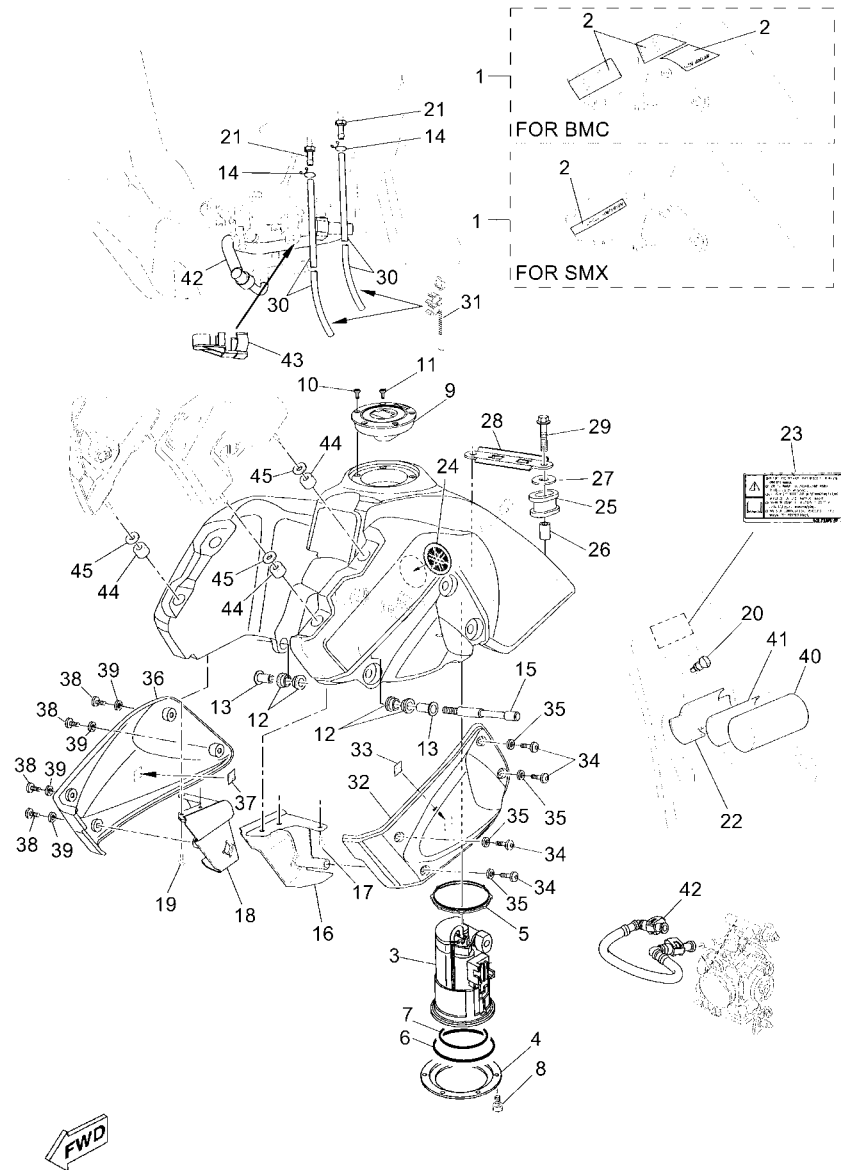
REF. NO.	PART NO.	DESCRIPTION	11D5				REMARKS
1	11D-F3102-00	FRONT FORK ASSY (L.H)	1				
2	11D-F3126-00	.TUBE, OUTER (LEFT)	1				
3	11D-F3108-00	..EMBLEM	1				
4	11D-F3110-00	.INNER TUBE COMP.1	1				
5	3XJ-23171-L0	.PISTON, FRONT FORK	1				
6	11D-F3170-00	.CYLINDER COMP., FRONT FORK	1				
7	5VK-F3157-00	..RING, PISTON	1				
8	5VK-F3151-00	.SPRING, REBOUND	1				(PAIOLI)
9	5VK-F3173-00	.SPINDLE, TAPER	1				
10	3XJ-23125-L0	.METAL, SLIDE 1	1				
11	4DA-23145-L0	.OIL SEAL	1				
12	11D-F3146-00	.WASHER, OIL SEAL	1				
13	5VK-F3153-00	.RING, SNAP	1				(PAIOLI)
14	4DA-23144-L0	.SEAL, DUST	1				
15	11D-F3141-00	.SPRING, FRONT FORK	1				
16	11D-F3111-00	.BOLT, CAP	1				
17	4V4-23188-L0	.O-RING	1				
18	5JH-F3158-00	.GASKET	1				(PAIOLI)
19	5VK-F3181-00	.BOLT, HEXAGON SOCKET HEAD	1				(PAIOLI)
20	11D-F3118-00	.SPACER	1				
21	5VK-F3149-00	.WASHER, SPRING UPPER	1				(PAIOLI)
22	11D-F3103-00	FRONT FORK ASSY (R.H)	1				
23	11D-F3136-00	.TUBE, OUTER (RIGHT)	1				
24	11D-F3108-00	..EMBLEM	1				
25	11D-F3110-00	.INNER TUBE COMP.1	1				
26	3XJ-23171-L0	.PISTON, FRONT FORK	1				
27	11D-F3170-00	.CYLINDER COMP., FRONT FORK	1				



11D7710-J250

FIG. 25 FRONT FORK

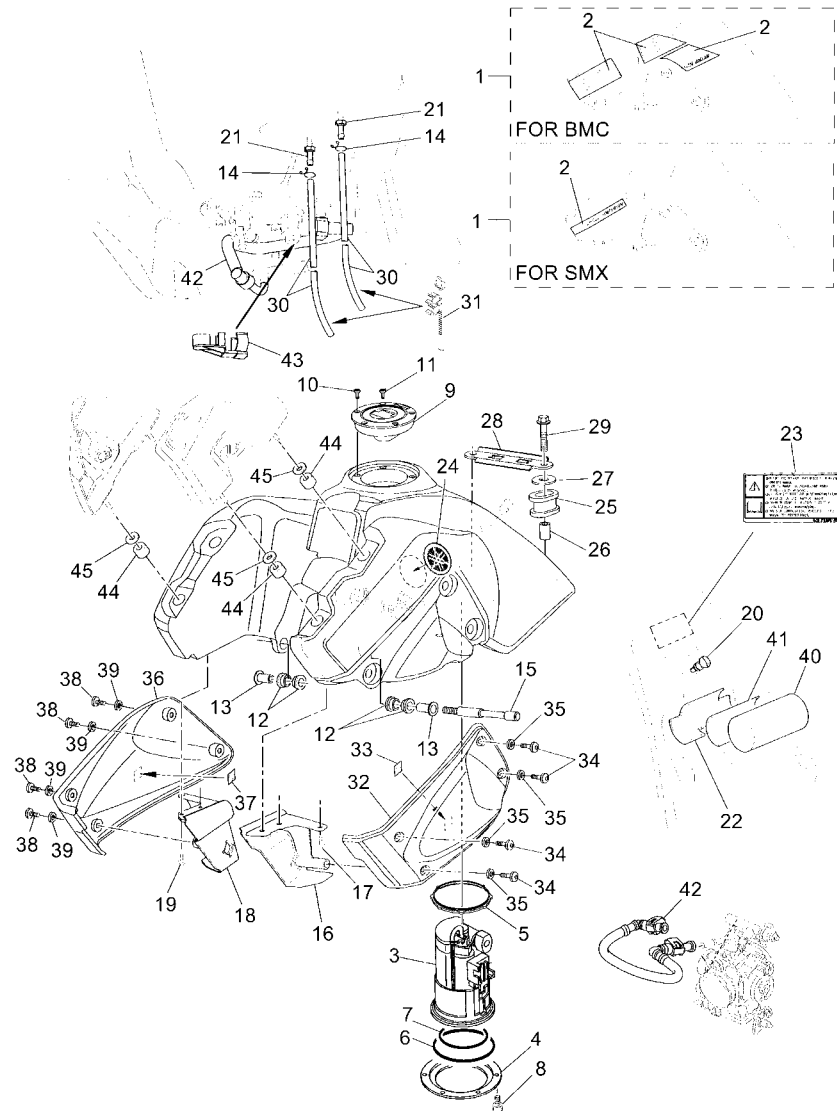
REF. NO.	PART NO.	DESCRIPTION	11D5				REMARKS
28	5VK-F3157-00	.RING, PISTON	1				
29	5VK-F3151-00	.SPRING, REBOUND	1				
30	5VK-F3173-00	.SPINDLE, TAPER	1				(PAIOLI)
31	3XJ-23125-L0	.METAL, SLIDE 1	1				
32	4DA-23145-L0	.OIL SEAL	1				
33	11D-F3146-00	.WASHER, OIL SEAL	1				
34	5VK-F3153-00	.RING, SNAP	1				(PAIOLI)
35	4DA-23144-L0	.SEAL, DUST	1				
36	11D-F3141-00	.SPRING, FRONT FORK	1				
37	11D-F3111-00	.BOLT, CAP	1				
38	4V4-23188-L0	.O-RING	1				
39	5JH-F3158-00	.GASKET	1				(PAIOLI)
40	5VK-F3181-00	.BOLT, HEXAGON SOCKET HEAD	1				(PAIOLI)
41	11D-F3118-00	.SPACER	1				
42	5VK-F3149-00	.WASHER, SPRING UPPER	1				(PAIOLI)
43	5VK-F3128-00	.BOLT, AXLE HOLDER	2				
44	5VK-F3340-00	UNDER BRACKET COMP.	1				
45	5SE-F3394-00	BOLT, SPECIAL	4				(PAIOLI)
46	11D-F3191-00	BOOT	2				
47	11D-F3192-00	BAND	2				
48	98580-04016	.SCREW, PANHEAD (+)	1				
49	5WX-H5111-00	REFLECTOR, FRONT 1	2				
50	11D-F1165-00	HANDLE, STANDING	1				
51	95812-06030	BOLT, FLANGE	4				



11D5710-K260

FIG. 26 FUEL TANK

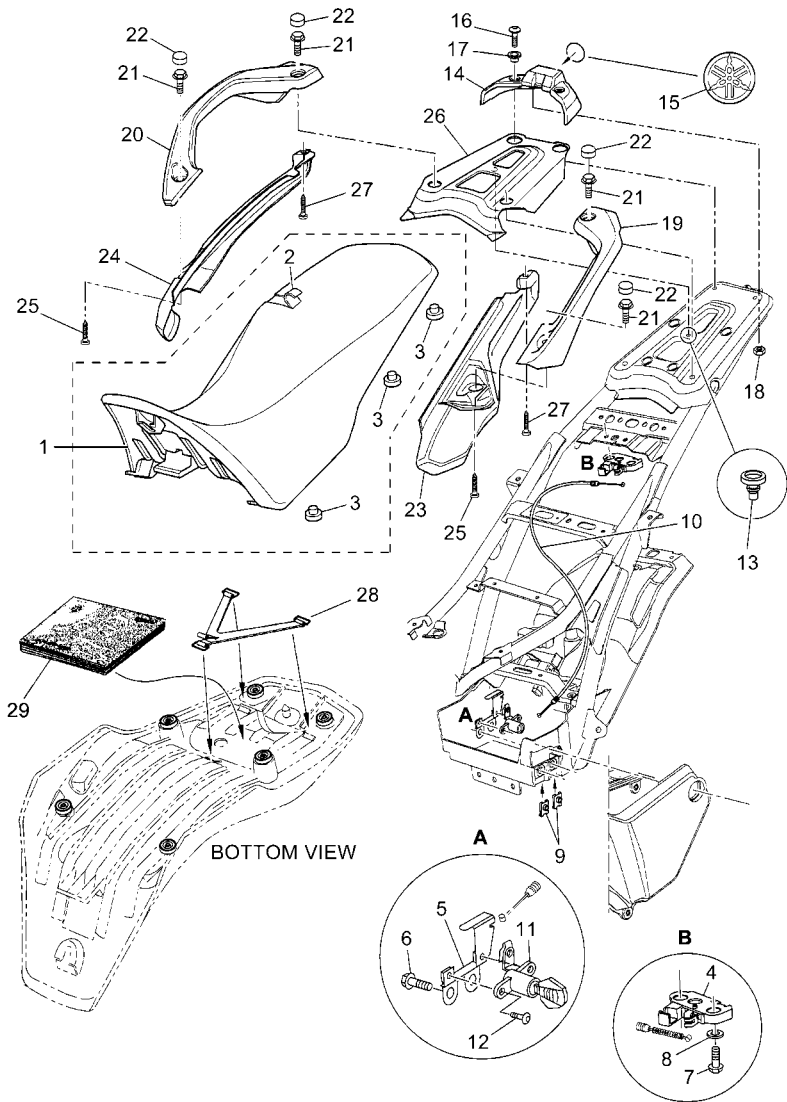
REF. NO.	PART NO.	DESCRIPTION	11D5			REMARKS
1	11D-XF411-30-P0	FUEL TANK COMP.	1			FOR BMC
	11D-XF411-20-P0	FUEL TANK COMP.	1			FOR BMC (ACERBIS)
	11D-XF411-30-P1	FUEL TANK COMP.	1			FOR SMX
	11D-XF411-20-P1	FUEL TANK COMP.	1			FOR SMX (ACERBIS)
2	11D-F4230-10	.GRAPHIC SET 1	1			FOR SMX
	11D-F4240-10	.GRAPHIC SET	1			FOR BMC
3	11D-13907-01	FUEL PUMP COMP.	1			
4	56B-F4491-10	BRACKET, FUEL PUMP	1			
5	5JW-24486-00	O-RING	1			
6	93210-92X01	O-RING	1			
7	93211-04X00	O-RING	1			
8	91317-06016	BOLT	6			
9	5JJ-24602-00	CAP ASSY	1			
10	90110-05112	BOLT, HEXAGON SOCKET HEAD	3			
11	91317-05010	BOLT	1			
12	11D-F4181-00	DAMPER, LOCATING 1	4			
13	11D-F412G-00	COLLAR	2			
14	90467-09006	CLIP	2			
15	11D-F4243-00	ROD 1	2			
16	11D-F4115-00	STAY, FUEL TANK 1	1			
17	95027-06014	BOLT, FLANGE	3			
18	11D-F4116-00	STAY, FUEL TANK 2	1			
19	95027-06014	BOLT, FLANGE	3			
20	11D-F4717-00	BOLT, SEAT FITTING	1			
21	5YK-F4478-00	JOINT	2			
22	11D-F4141-00	PROTECTOR, FUEL TANK	1			
23	11D-F1568-00	LABEL, WARNING	1			



11D5710-K260

FIG. 26 FUEL TANK

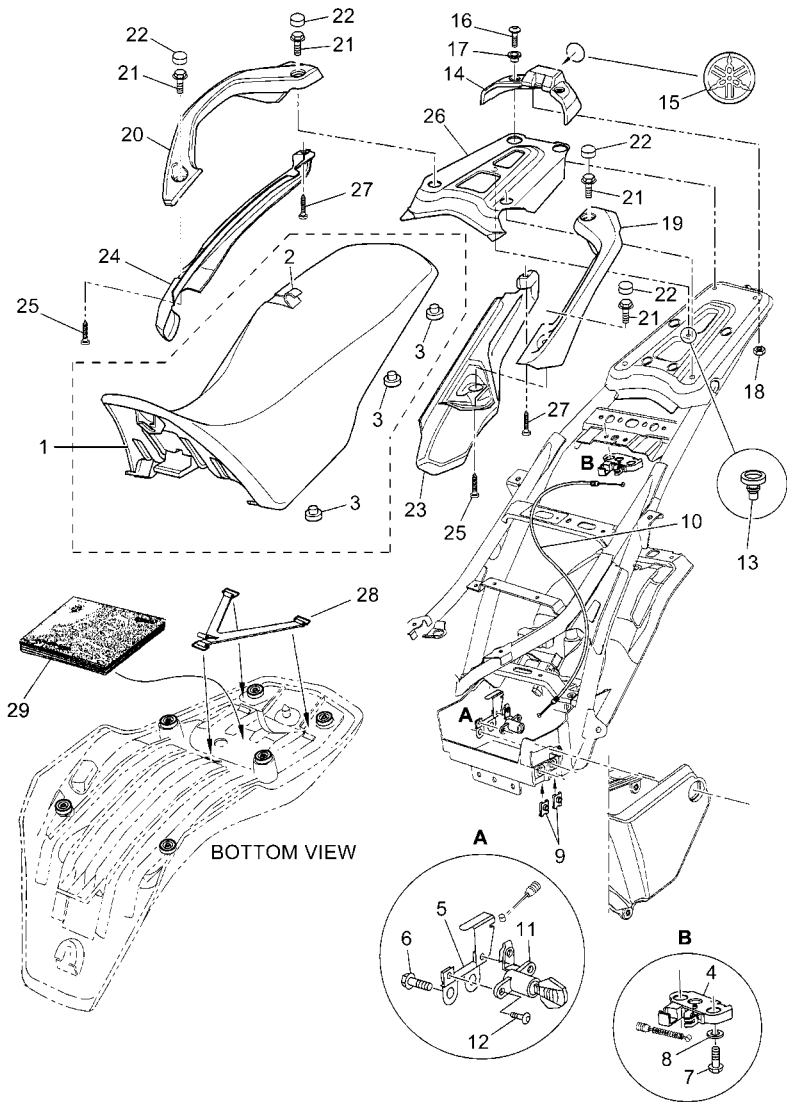
REF. NO.	PART NO.	DESCRIPTION	11D5				REMARKS
24	11D-F413B-00	EMBLEM	2				
25	11D-F4182-00	DAMPER, LOCATING 2	2				
26	90387-087L3	COLLAR	2				
27	90201-08M03	WASHER, PLATE	2				
28	11D-F4192-00	BRACKET, FUEL TANK 2	1				
29	95817-08040	BOLT, FLANGE	2				
30	11D-F4318-00	PIPE, OVERFLOW	2				
31	5BR-F1335-00	CLAMP, WIRE HARNESS 1	2				215X7.0
32	11D-F137W-00	SCOOP, AIR 1	1				
33	11D-F836U-00	DAMPER, LOCATING 2	1				
34	90111-06X19	BOLT, HEX. SOCKET BUTTON	4				
35	90201-06X28	WASHER, PLATE	4				
36	11D-F137X-00	SCOOP, AIR 2	1				
37	11D-F836U-00	DAMPER, LOCATING 2	1				
38	90111-06X19	BOLT, HEX. SOCKET BUTTON	4				
39	90201-06X28	WASHER, PLATE	4				
40	11D-F8100-00	TOOL KIT	1				
41	11D-F8170-00	HOLDER, TOOL	1				
42	5YK-13971-00	PIPE, FUEL 1	1				
43	90464-16005	CLAMP	1				
44	11D-F8187-00	GROMMET	4				
45	90202-08X01	WASHER, PLATE	4				



11D6300-J270

FIG. 27 SEAT

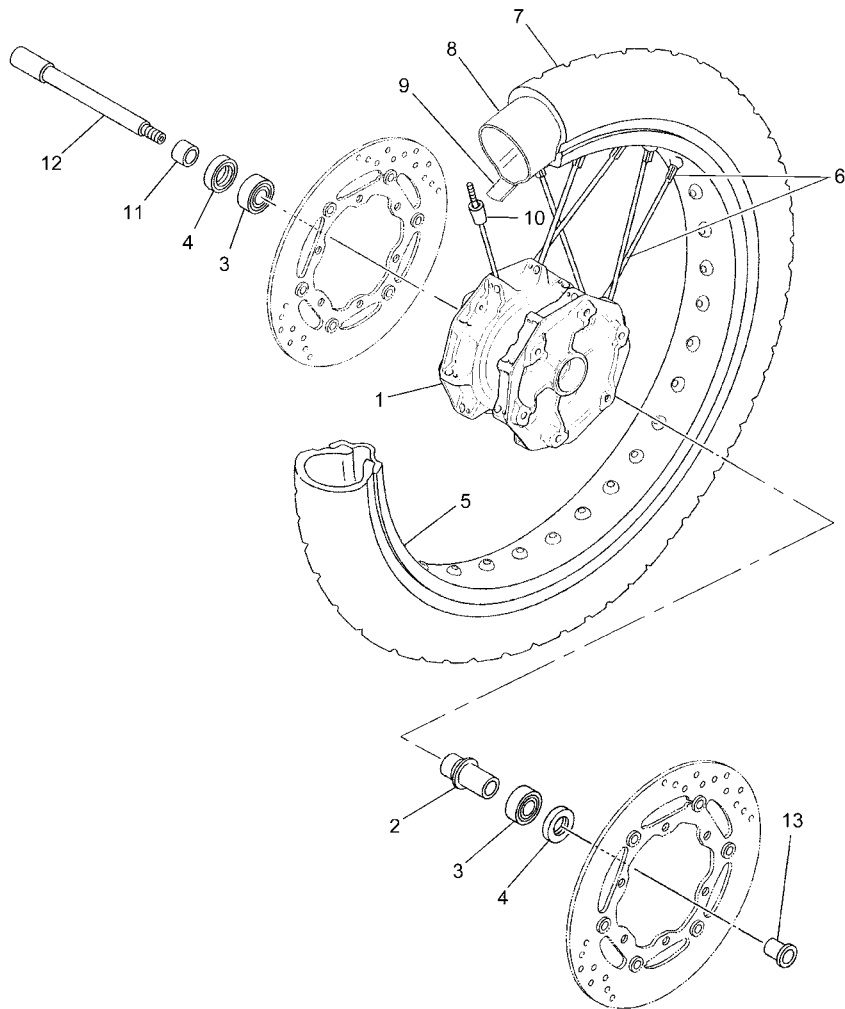
REF. NO.	PART NO.	DESCRIPTION	11D5			REMARKS
1	11D-F4770-10	SEMI-DOUBLE SEAT ASSY	1			FOR BMC
	11D-F4770-20	SEMI-DOUBLE SEAT ASSY	1			FOR SMX
2	11D-F4731-10	.COVER, SEAT	1			YELLOW SEWING
	11D-F4731-20	.COVER, SEAT	1			RED SEWING
3	5YK-F4741-00	.PAD, SEAT	6			
4	5AD-F4780-00	SEAT LOCK ASSY	1			
5	11D-F175H-00	STAY, LOCK	1			
6	90105-05016	BOLT, FLANGE	2			
7	92017-06020	BOLT, BUTTON HEAD	2			
8	90201-06X04	WASHER, PLATE	2			
9	90183-05812	NUT, SPRING	2			
10	11D-F478E-00	CABLE, SEAT LOCK	1			
11	2TV-W2470-00	ROTOR SET	1			
12	92017-06014	BOLT, BUTTON HEAD	2			
13	90338-05008	PLUG	1			
14	11D-F471K-00	COVER, TAIL 1	1			
15	11D-F176B-00	TUNING FORK MARK	1			
16	90111-06X19	BOLT,HEX. SOCKET BUTTON	2			
17	90387-06X01	COLLAR	2			
18	95602-06200	NUT, SELF-LOCKING	2			
19	11D-F474A-00	ASSIST, GRIP	1			
20	11D-F474W-00	ASSIST,GRIP 2	1			
21	95817-08030	BOLT, FLANGE	4			
22	11D-F4481-00	PLUG	4			
23	11D-F4845-01	COVER 1	1			
24	11D-F4846-01	COVER 2	1			
25	97707-40010	SCREW, TAPPING	2			



11D6300-J270

FIG. 27 SEAT

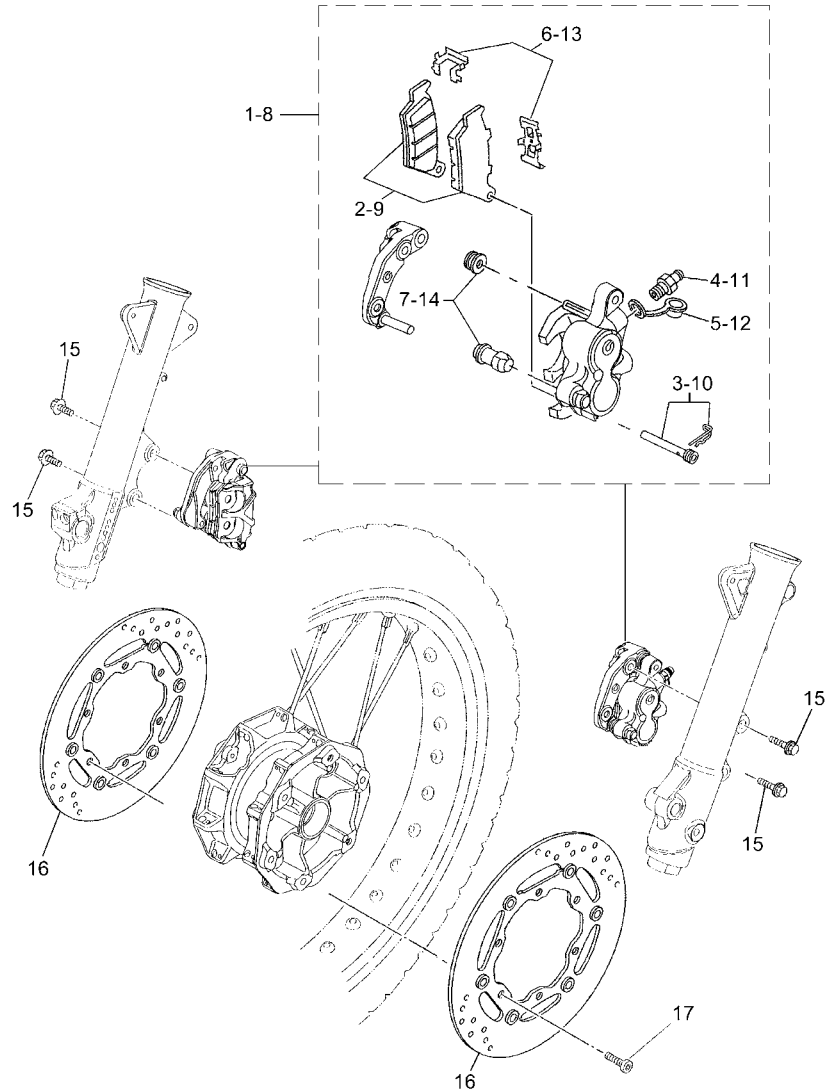
REF. NO.	PART NO.	DESCRIPTION	11D5				REMARKS
26	11D-F4844-00	COVER 3	1				
27	97707-40014	SCREW, TAPPING	2				
28	11D-F483H-00	BAND	1				
29	11D-F8199-22	MANUAL, OWNER'S	1				UR ENGLISH
<hr style="border-top: 1px dashed black;"/>							
<hr style="border-top: 1px dashed black;"/>							
<hr style="border-top: 1px dashed black;"/>							
<hr style="border-top: 1px dashed black;"/>							
<hr style="border-top: 1px dashed black;"/>							
<hr style="border-top: 1px dashed black;"/>							
<hr style="border-top: 1px dashed black;"/>							
<hr style="border-top: 1px dashed black;"/>							
<hr style="border-top: 1px dashed black;"/>							
<hr style="border-top: 1px dashed black;"/>							
<hr style="border-top: 1px dashed black;"/>							



11D6300-J280

FIG. 28 FRONT WHEEL

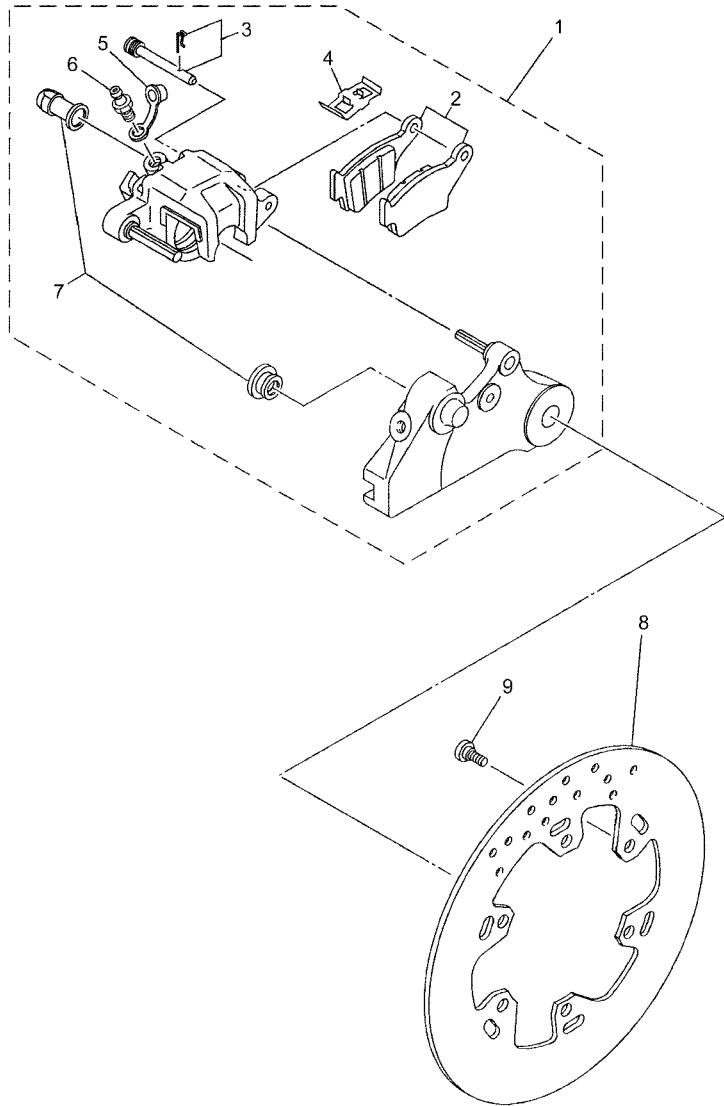
REF. NO.	PART NO.	DESCRIPTION	11D5				REMARKS
1	11D-F5111-00	HUB, FRONT	1				
2	11D-F5117-00	SPACER, BEARING	1				
3	93306-203XN	BEARING	2				
4	93106-23002	OIL SEAL	2				
5	94418-21X00	RIM (1.85-21)	1				
6	11D-F5104-01	SPOKE SET, FRONT	1				
7	94109-21800	TIRE (90/90-21M/C 54S)	1				METZELER TOURANCE
	94109-21801	TIRE (90/90-21M/C 54T)	1				MICHELIN SIRAC
8	*	TUBE (21)	1				LM UR
	*	TUBE	1				LM UR
9	*	BAND, RIM (21)	1				LM UR
	*	BAND, RIM (1.60-21)	1				LM UR MICHELIN
10	3HT-25398-00	BALANCER, WHEEL (15G)	1				
11	5VK-F5183-00	COLLAR, WHEEL	1				
12	5VK-25181-00	AXLE, WHEEL	1				
13	5VK-F5186-00	COLLAR, WHEEL	1				



11D6300-J290

FIG. 29 FRONT BRAKE

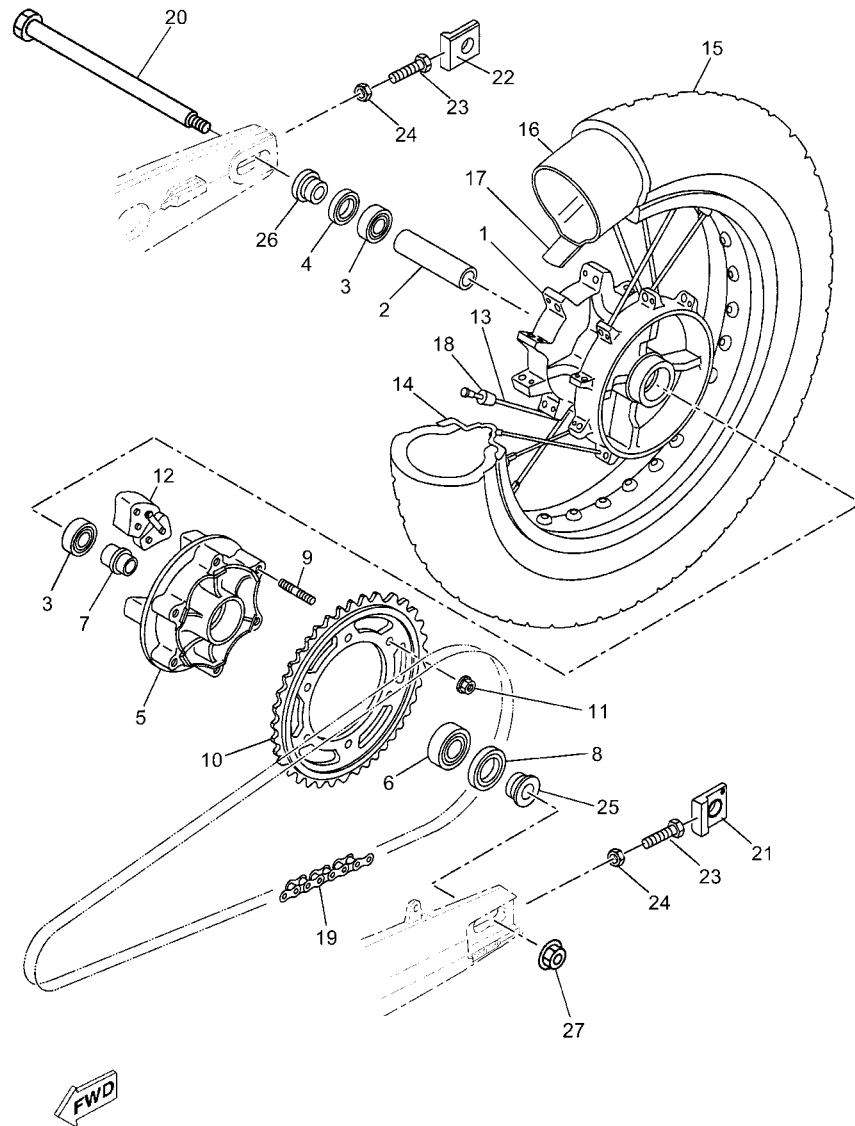
REF. NO.	PART NO.	DESCRIPTION	11D5				REMARKS
1	11D-F580T-00	CALIPER ASSY (LEFT)	1				
2	11D-F5811-00	.PAD, CALIPER 2	1				
3	5D7-F5924-00	.PIN, PAD	1				
4	5D7-F5824-10	.SCREW, BLEED	1				(BREMBO)
5	5DS-F5825-00	.CAP	1				(BREMBO)
6	5DS-F5919-00	.SUPPORT, PAD	1				(BREMBO)
7	5DS-F5917-00	.BOOT, CALIPER	1				(BREMBO)
8	11D-F580U-00	CALIPER ASSY (RIGHT)	1				
9	11D-F5811-00	.PAD, CALIPER 2	1				
10	5D7-F5924-00	.PIN, PAD	1				
11	5D7-F5824-10	.SCREW, BLEED	1				(BREMBO)
12	5DS-F5825-00	.CAP	1				(BREMBO)
13	5DS-F5919-00	.SUPPORT, PAD	1				(BREMBO)
14	5DS-F5917-00	.BOOT, CALIPER	1				(BREMBO)
15	90105-10638	BOLT, FLANGE	4				
16	5VK-F581T-00	DISK BRAKE ASSY	2				
17	90109-064G6	BOLT	12				



11D6300-J310

FIG. 30 REAR BRAKE

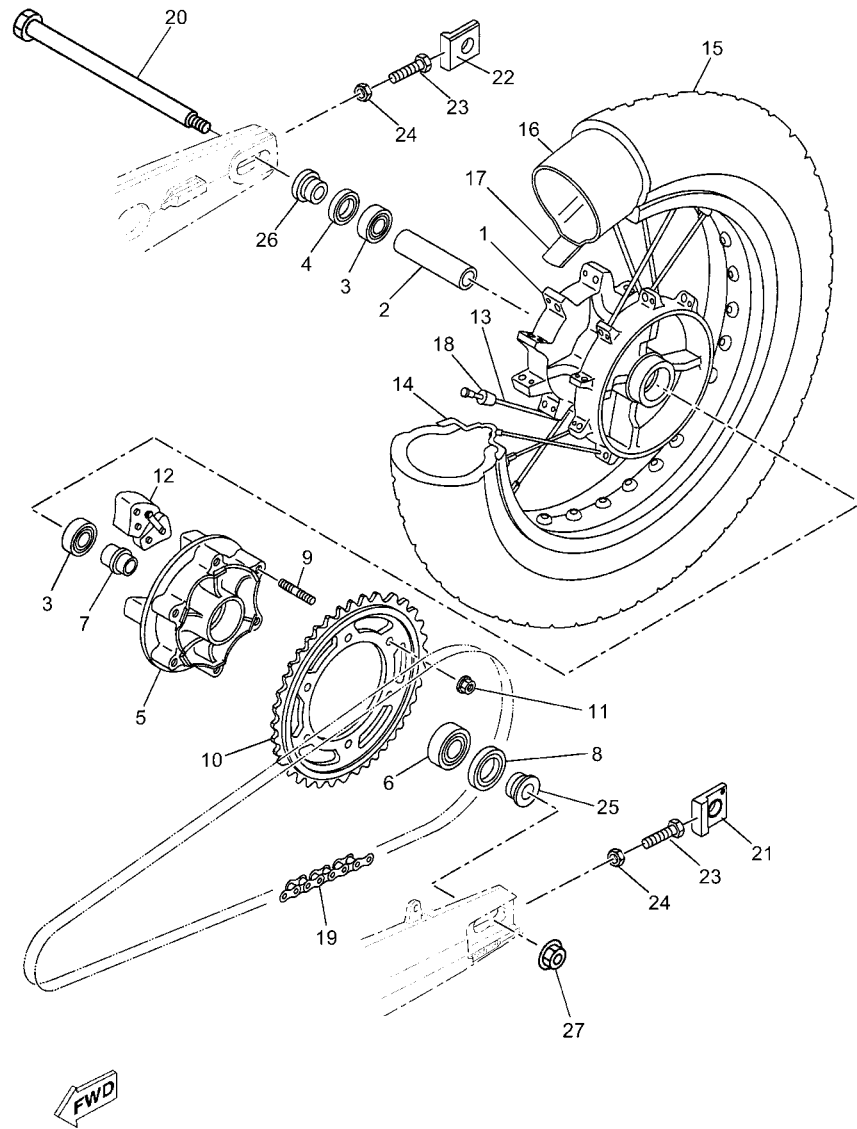
REF. NO.	PART NO.	DESCRIPTION	11D5				REMARKS
1	5VK-F580W-00	CALIPER ASSY, REAR 2	1				(BREMBO)
2	5VK-W0046-00	.BRAKE PAD KIT 2	1				(BREMBO)
3	5VK-F5924-10	.PIN, PAD	1				(BREMBO)
4	5VK-F5919-10	.SUPPORT, PAD	1				(BREMBO)
5	5DS-F5825-00	.CAP	1				(BREMBO)
6	5SE-F5824-00	.SCREW, BLEED	1				(BREMBO)
7	5DS-F5917-00	.BOOT, CALIPER	1				(BREMBO)
8	5VK-F582W-00	DISK, REAR BRAKE 2	1				
9	90109-065F3	BOLT	6				



11D6300-J300

FIG. 31 REAR WHEEL

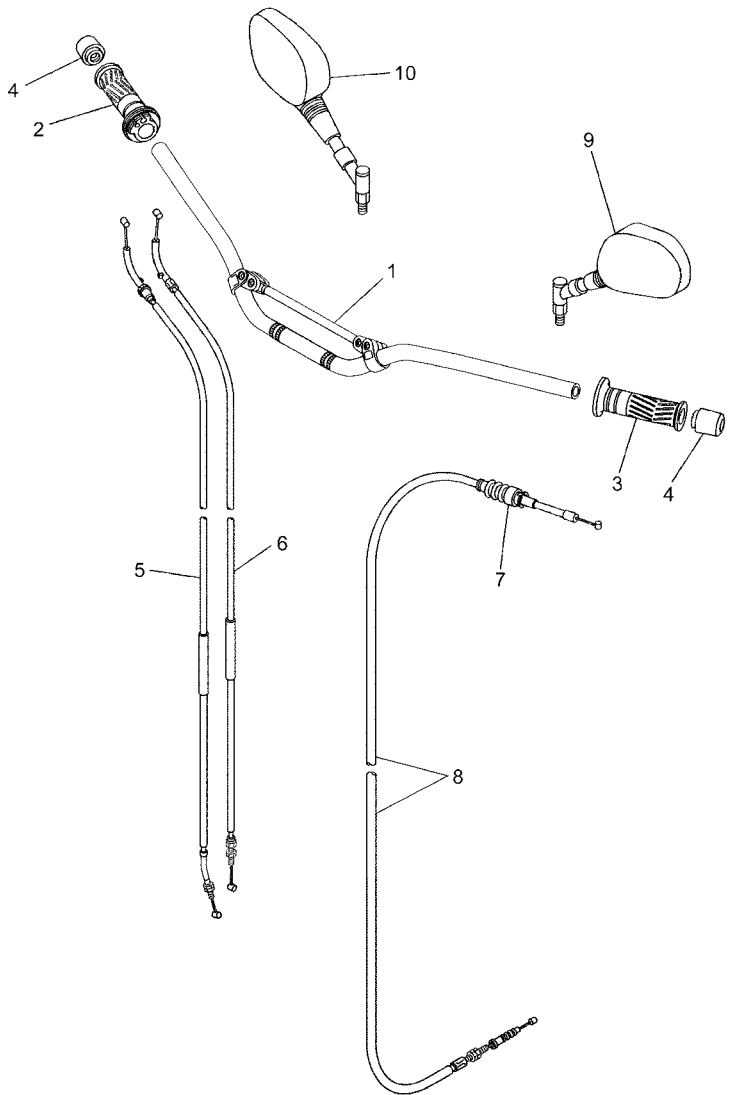
REF. NO.	PART NO.	DESCRIPTION	11D5				REMARKS
1	5VK-25311-00	HUB, REAR	1				
2	90560-17306	SPACER	1				
3	93306-20348	BEARING	2				
4	93106-23002	OIL SEAL	1				
5	5VK-25366-00	CLUTCH, HUB	1				
6	93306-30437	BEARING	1				
7	1VJ-25377-00	COLLAR, WHEEL	1				
8	93106-30029	OIL SEAL	1				
9	90116-10485	BOLT, STUD	6				
10	5VK-25445-01	SPROCKET, DRIVEN (45T)	1				
11	95607-10200	NUT, U FLANGE	6				
12	5Y1-25364-00	DAMPER	4				
13	5VK-F5304-01	SPOKE SET, REAR	1				
14	94427-17X00	RIM	1				
15	94113-17800	TIRE (130/80-17 M/C 65S)	1				METZELER TOURANCE
	94113-17801	TIRE (130/80-17 M/C 65T)	1				MICHELIN SIRAC
16	*	TUBE (21)	1				LM UR
	*	TUBE	1				LM UR
17	*	BAND, RIM (2.15-18)	1				LM UR MICHELIN
	*	BAND, RIM (21)	1				LM UR
18	3HT-25398-00	BALANCER, WHEEL (15G)	1				
19	9456X-08110	CHAIN	1				
20	10S-25381-00	AXLE, WHEEL	1				
21	10S-F5388-00	PULLER, CHAIN 1	1				
22	10S-F5389-00	PULLER, CHAIN 2	1				
23	90101-08777	BOLT	2				
24	95707-08500	NUT, FLANGE	2				



11D6300-J300

FIG. 31 REAR WHEEL

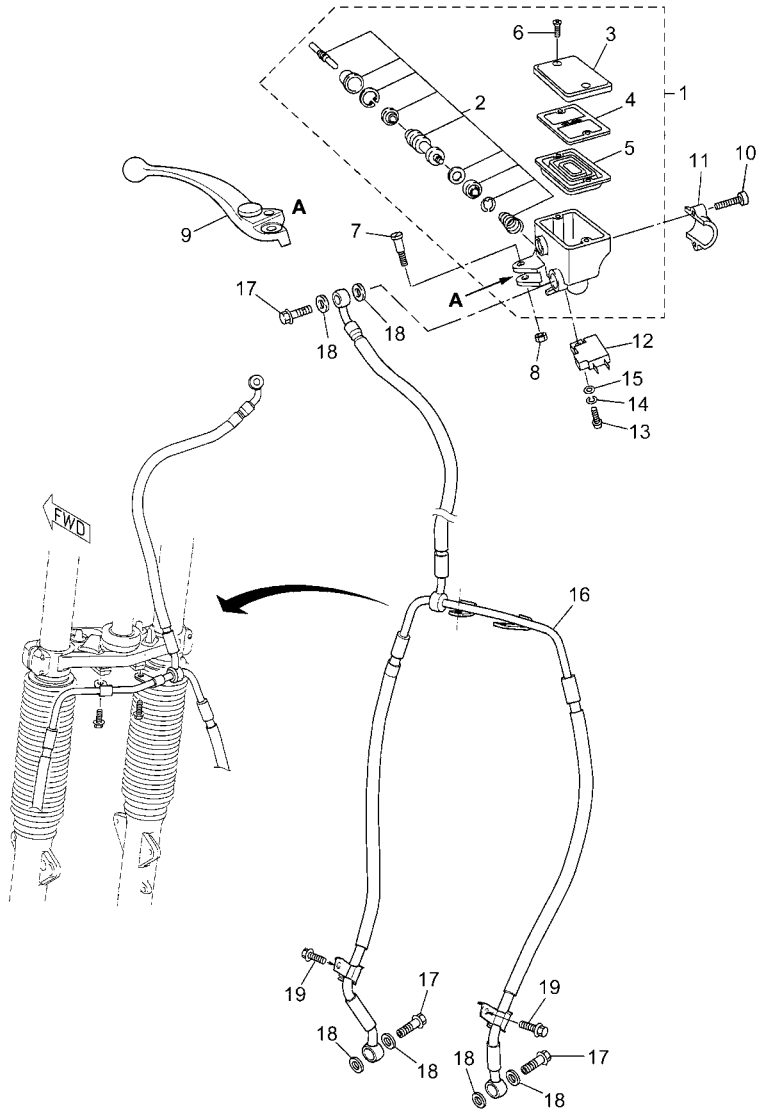
REF. NO.	PART NO.	DESCRIPTION	11D5				REMARKS
25	90387-17801	COLLAR	1				
26	90387-17802	COLLAR	1				
27	95604-16200	NUT, U FLANGE	1				



11D6300-J320

FIG. 32 STEERING HANDLE & CABLE

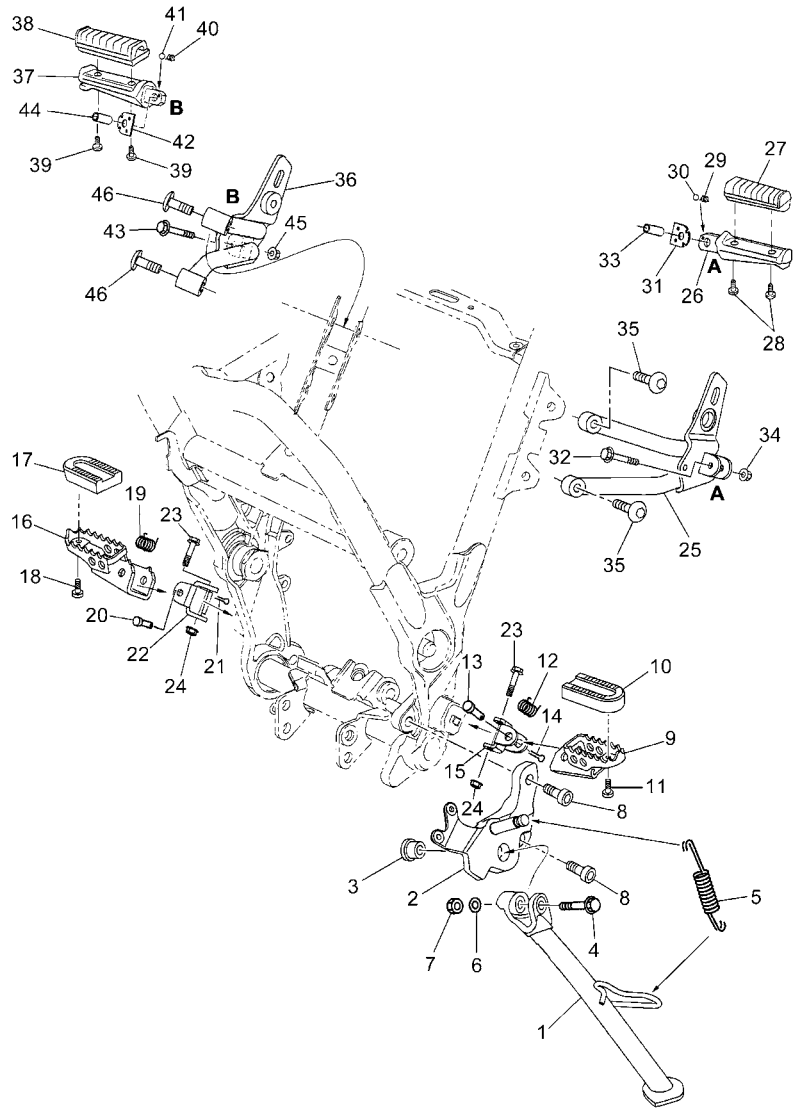
REF. NO.	PART NO.	DESCRIPTION	11D5				REMARKS
1	11D-F6111-00	HANDLEBAR	1				
2	4YR-26240-02	GRIP ASSY	1				
3	4YR-26241-02	GRIP (LEFT)	1				
4	11D-F6246-00	END, GRIP	2				
5	5VK-F6311-00	CABLE, THROTTLE 1	1				
6	5VK-F6312-00	CABLE, THROTTLE 2	1				
7	1E6-26342-00	BOOT, CABLE	1				
8	5VK-F6335-00	CABLE, CLUTCH	1				
9	5VK-F6280-00	REAR VIEW MIRROR ASSY (LEFT)	1				
10	5VK-F6290-00	REAR VIEW MIRROR ASSY (RIGHT)	1				



11D6300-J330

FIG. 33 FRONT MASTER CYLINDER

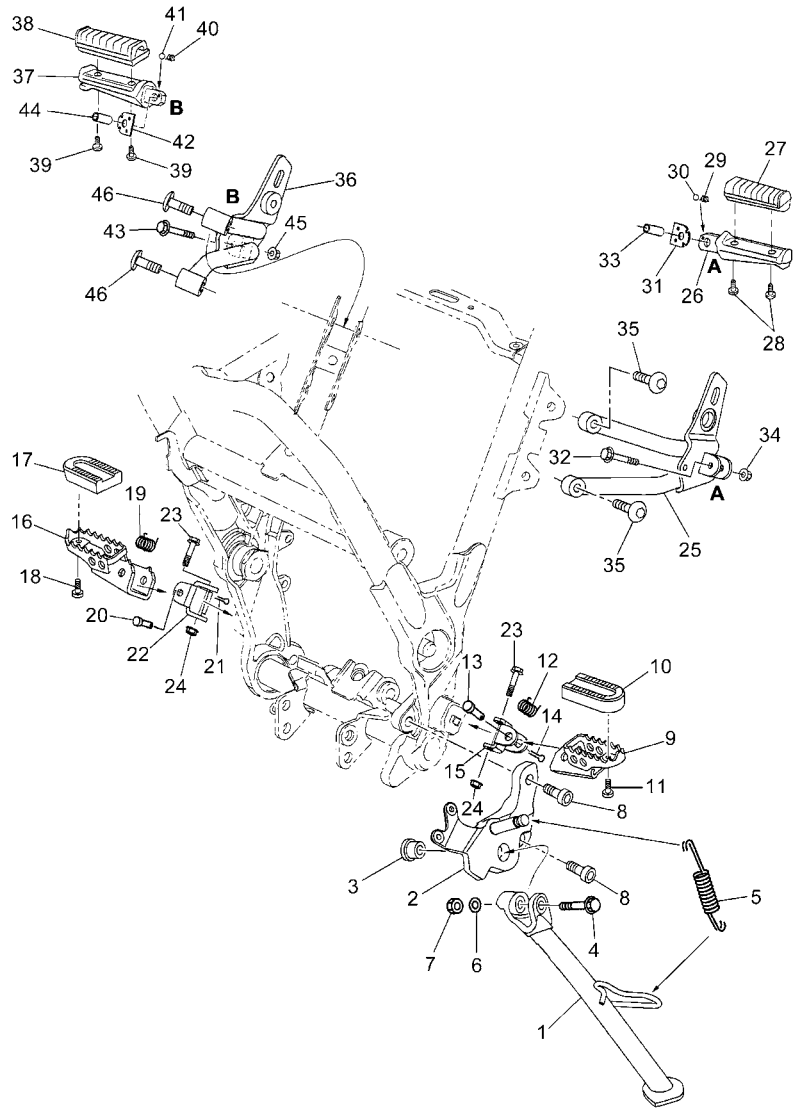
REF. NO.	PART NO.	DESCRIPTION	11D5				REMARKS
1	5PS-W2587-00	MASTER CYLINDER SUB ASSY	1				
2	5VS-W0041-00	.CYLINDER KIT, MASTER	1				
3	5VS-25852-00	.CAP, RESERVOIR	1				
4	5VS-25855-00	.BUSH,DIAPHRAGM	1				
5	20S-25854-00	.DIAPHRAGM, RESERVOIR	1				
6	5VS-2589H-00	.SCREW	2				
7	5VS-2589F-00	BOLT, LEVER	1				
8	95617-06100	NUT, U	1				
9	5VS-83922-00	LEVER 2	1				
10	5VS-26332-00	BOLT	2				
11	5VS-25867-00	BRACKET, MASTER CYLINDER	1				
12	4HM-83980-00	FRONT STOP SWITCH ASSY	1				
13	98502-04012	SCREW, PAN HEAD	1				
14	92902-04100	WASHER, SPRING	1				
15	92902-04600	WASHER, PLATE	1				
16	11D-F5872-00	HOSE, BRAKE 1	1				
17	90401-10X03	BOLT, UNION	3				
18	90201-10X07	WASHER, PLATE	6				
19	95024-06012	BOLT, FLG.(SMALL HEAD)	2				



11D6300-J340

FIG. 34 STAND & FOOTREST

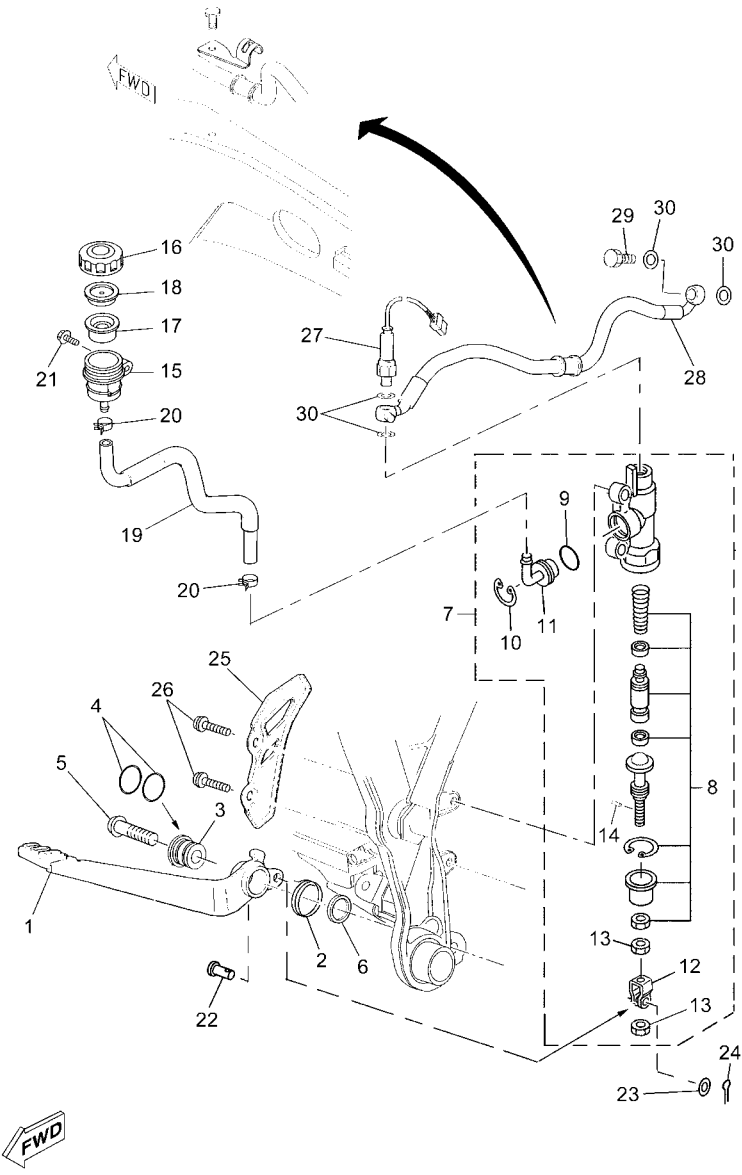
REF. NO.	PART NO.	DESCRIPTION	11D5				REMARKS
1	11D-F7311-00	STAND, SIDE	1				
2	11D-F7321-00	BRACKET, SIDE STAND	1				
3	11D-F7313-00	COLLAR	1				
4	90105-10X16	BOLT, FLANGE	1				
5	90506-25X01	SPRING, TENSION	1				
6	90201-10X21	WASHER, PLATE	1				
7	9561M-10100	NUT, U	1				
8	90110-10191	BOLT, HEXAGON SOCKET HEAD	2				
9	3LD-27411-01	FOOTREST 1	1				
10	3LD-27413-00	COVER, FOOTREST	1				
11	91317-06010	BOLT	1				
12	90508-28777	SPRING, TORSION	1				
13	90240-10101	PIN, CLEVIS	1				
14	91401-25020	PIN, COTTER	1				
15	11D-F7452-00	BRACKET, FOOTREST 1	1				
16	3LD-27421-01	FOOTREST 2	1				
17	3LD-27413-00	COVER, FOOTREST	1				
18	91317-06010	BOLT	1				
19	90508-28777	SPRING, TORSION	1				
20	90240-10101	PIN, CLEVIS	1				
21	91401-25020	PIN, COTTER	1				
22	11D-F7452-00	BRACKET, FOOTREST 1	1				
23	90105-08053	BOLT, FLANGE	2				
24	95607-08200	NUT, SELF-LOCKING	2				
25	11D-F741L-01	BRACKET 4	1				
26	11D-F743A-00	BAR, REAR FOOTREST	1				
27	1B9-F7454-00	COVER, FOOTREST	1				



11D6300-J340

FIG. 34 STAND & FOOTREST

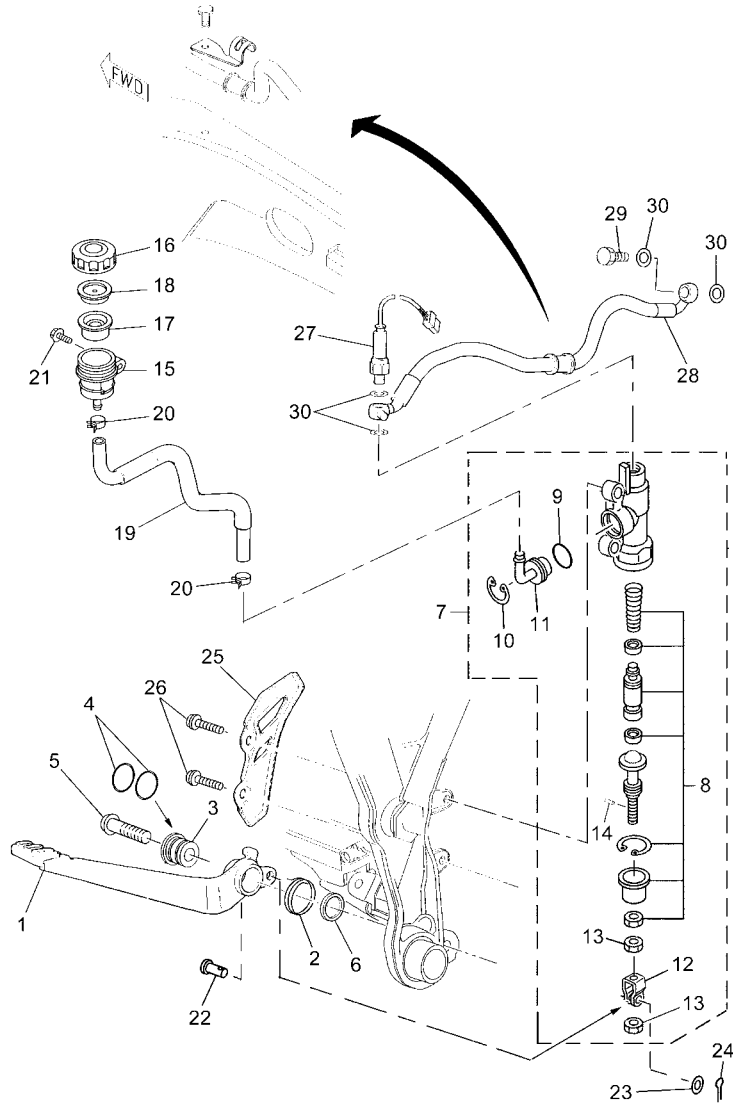
REF. NO.	PART NO.	DESCRIPTION	11D5				REMARKS
28	90157-05079	SCREW, PAN HEAD	2				
29	90501-15001	SPRING, COMPRESSION	1				
30	93501-04011	BALL	1				
31	5JJ-27437-01	WASHER, SPECIAL	1				
32	95817-06040	BOLT, FLANGE	1				
33	90387-06014	COLLAR	1				
34	95604-06200	NUT, U FLANGE	1				
35	90110-08221	BOLT, HEXAGON SOCKET HEAD	2				
36	11D-F742L-01	BRACKET 5	1				
37	11D-F743G-00	BAR, REAR FOOTREST 2	1				
38	1B9-F7454-00	COVER, FOOTREST	1				
39	90157-05079	SCREW, PAN HEAD	2				
40	90501-15001	SPRING, COMPRESSION	1				
41	93501-04011	BALL	1				
42	5JJ-27437-01	WASHER, SPECIAL	1				
43	95817-06040	BOLT, FLANGE	1				
44	90387-06014	COLLAR	1				
45	95604-06200	NUT, U FLANGE	1				
46	90110-08221	BOLT, HEXAGON SOCKET HEAD	2				



11D6300-J350

FIG. 35 REAR MASTER CYLINDER

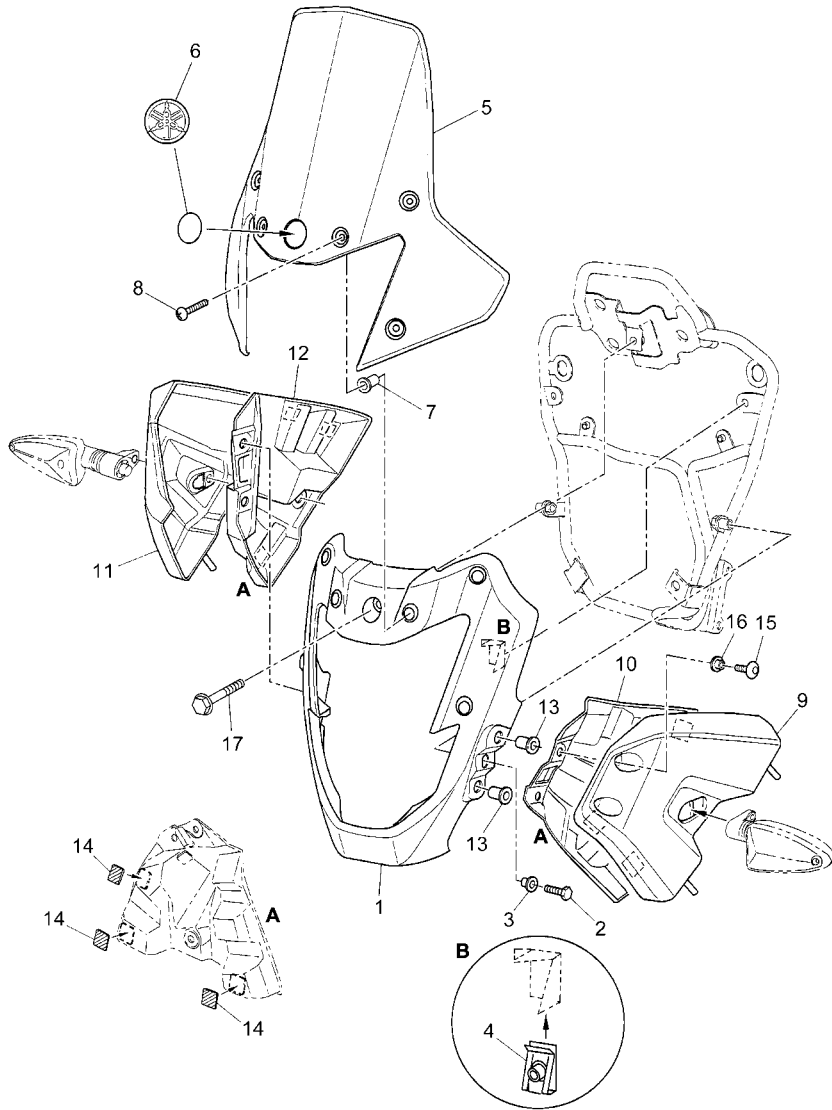
REF. NO.	PART NO.	DESCRIPTION	11D5				REMARKS
1	11D-F7211-00	PEDAL, BRAKE	1				
2	11D-F7216-00	SPRING, RETURN	1				
3	5YK-F7213-00	COLLAR	1				
4	93210-15414	O-RING	2				
5	92017-10045	BOLT, BUTTON HEAD	1				
6	90201-100L3	WASHER, PLATE	1				
7	5VK-2583V-00	RR. MASTER CYLINDER ASSY.	1				
8	3BN-W0042-50	.CYLINDER KIT, MASTER	1				
9	93210-15620	.O-RING	1				
10	2VN-25866-00	.CIRCLIP	1				
11	4ML-2582A-50	.JOINT	1				
12	2YK-27222-00	.JOINT	1				
13	4SS-27218-00	.NUT	2				
14	3KW-27234-00	.PIN, BRAKE ROD	1				
15	5JJ-25894-01	TANK, RESERVOIR	1				
16	3XP-25852-50	CAP, RESERVOIR	1				
17	2VN-25854-00	DIAPHRAGM, RESERVOIR	1				
18	2VN-25855-00	BUSH, DIAPHRAGM	1				
19	11D-25895-00	HOSE, RESERVOIR	1				
20	90467-12085	CLIP	2				
21	90119-06044	BOLT, WITH WASHER	1				
22	90240-08124	PIN, CLEVIS	1				
23	90201-08083	WASHER, PLATE	1				
24	91401-20012	PIN, COTTER	1				
25	11D-F7446-00	PLATE 2	1				
26	92014-08025	BOLT, BUTTON HEAD	2				
27	11D-H2530-00	STOP SWITCH ASSY	1				



11D6300-J350

FIG. 35 REAR MASTER CYLINDER

REF. NO.	PART NO.	DESCRIPTION	11D5				REMARKS
28	11D-F5873-00	HOSE, BRAKE 2	1				
29	90401-10X03	BOLT, UNION	1				
30	90201-10X07	WASHER, PLATE	4				

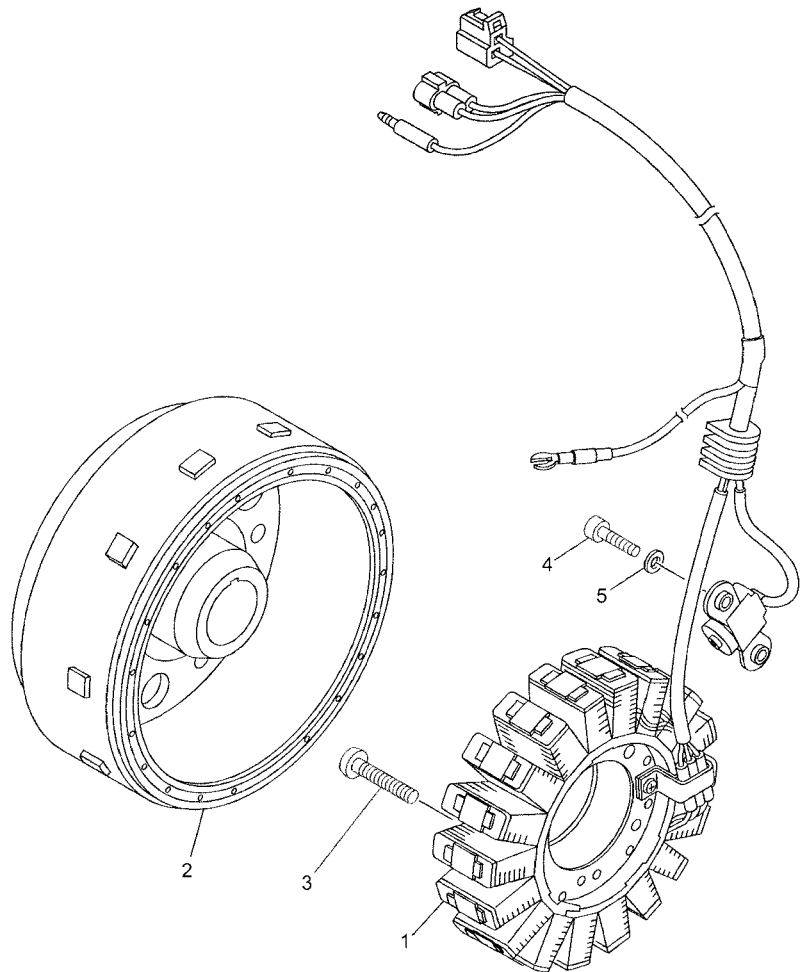


11D6300-J360

FIG. 36 COWLING

REF. NO.	PART NO.	DESCRIPTION	11D5				REMARKS
1	11D-F8351-00-P0	BODY, COWLING	1				FOR SMX
	11D-F8351-00-P3	BODY, COWLING	1				FOR BMC
2	97017-06025	BOLT	2				
3	90387-06X02	COLLAR	2				
4	2VW-F1736-00	NUT, PLATE	2				
5	11D-F8381-10	WINDSHIELD	1				
6	11D-F836B-00	TUNING FORK MARK	1				
7	90179-05523	NUT	6				
8	90150-05024	SCREW, ROUND HEAD	6				
9	11D-F842M-00	COVER 1	1				
10	11D-F836L-00	PANEL, INNER 2	1				
11	11D-F842N-00	COVER 2	1				
12	11D-F836M-00	PANEL, INNER 3	1				
13	90179-06520	NUT	4				
14	11D-F836U-00	DAMPER, LOCATING 2	6				
15	90111-06X20	BOLT, HEX. SOCKET BUTTON	4				
16	90387-06X09	COLLAR	4				
17	95817-06050	BOLT, FLANGE	1				

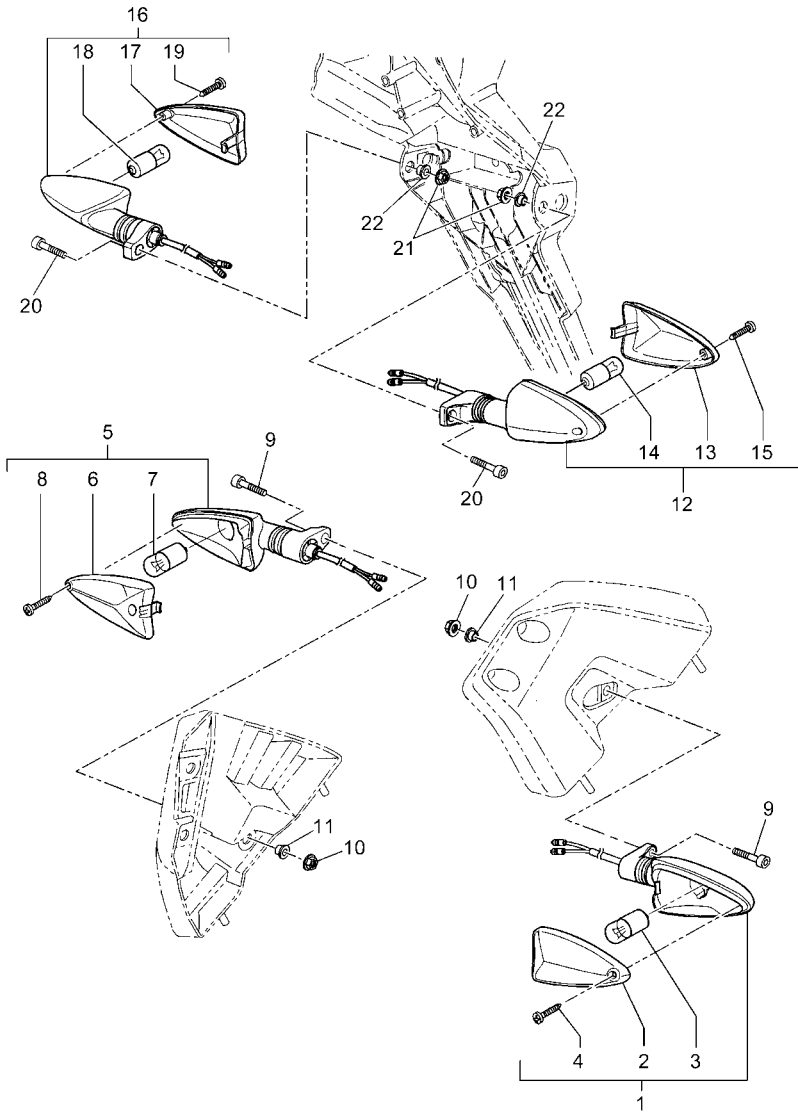
FIG. 37 GENERATOR



REF. NO.	PART NO.	DESCRIPTION	11D5				REMARKS
1	5VK-81410-00	STATOR ASSY	1				
2	5VK-81450-10	ROTOR ASSY	1				
3	92017-06030	BOLT, BUTTON HEAD	3				
4	91317-05014	BOLT	2				
5	90201-05X08	WASHER, PLATE	2				



11D6300-J370



11D6300-J380

FIG. 38 FLASHER LIGHT

REF. NO.	PART NO.	DESCRIPTION	11D5				REMARKS
1	11D-H3310-10	FRONT FLASHER LIGHT ASSY 1	1				
2	22B-H3312-00	.LENS, FLASHER	1				
3	5VK-H3311-00	.BULB, FLASHER (12V/10W)	1				
4	5D7-H3333-00	.SCREW, LENS FITTING	1				
5	11D-H3320-10	FRONT FLASHER LIGHT ASSY 2	1				
6	22B-H3322-00	.LENS, FLASHER 2	1				
7	5VK-H3311-00	.BULB, FLASHER (12V/10W)	1				
8	5D7-H3333-00	.SCREW, LENS FITTING	1				
9	9131M-06020	BOLT	2				
10	90185-06837	NUT, SELF-LOCKING	2				
11	90387-06X01	COLLAR	2				
12	11D-H3330-11	REAR FLASHER LIGHT ASSY 1	1				
13	22B-H3322-00	.LENS, FLASHER 2	1				
14	5VK-H3311-00	.BULB, FLASHER (12V/10W)	1				
15	5D7-H3333-00	.SCREW, LENS FITTING	1				
16	11D-H3340-11	REAR FLASHER LIGHT ASSY 2	1				
17	22B-H3312-00	.LENS, FLASHER	1				
18	5VK-H3311-00	.BULB, FLASHER (12V/10W)	1				
19	5D7-H3333-00	.SCREW, LENS FITTING	1				
20	9131M-06020	BOLT	2				
21	90185-06837	NUT, SELF-LOCKING	2				
22	90387-06M31	COLLAR	2				



11D6300-J390

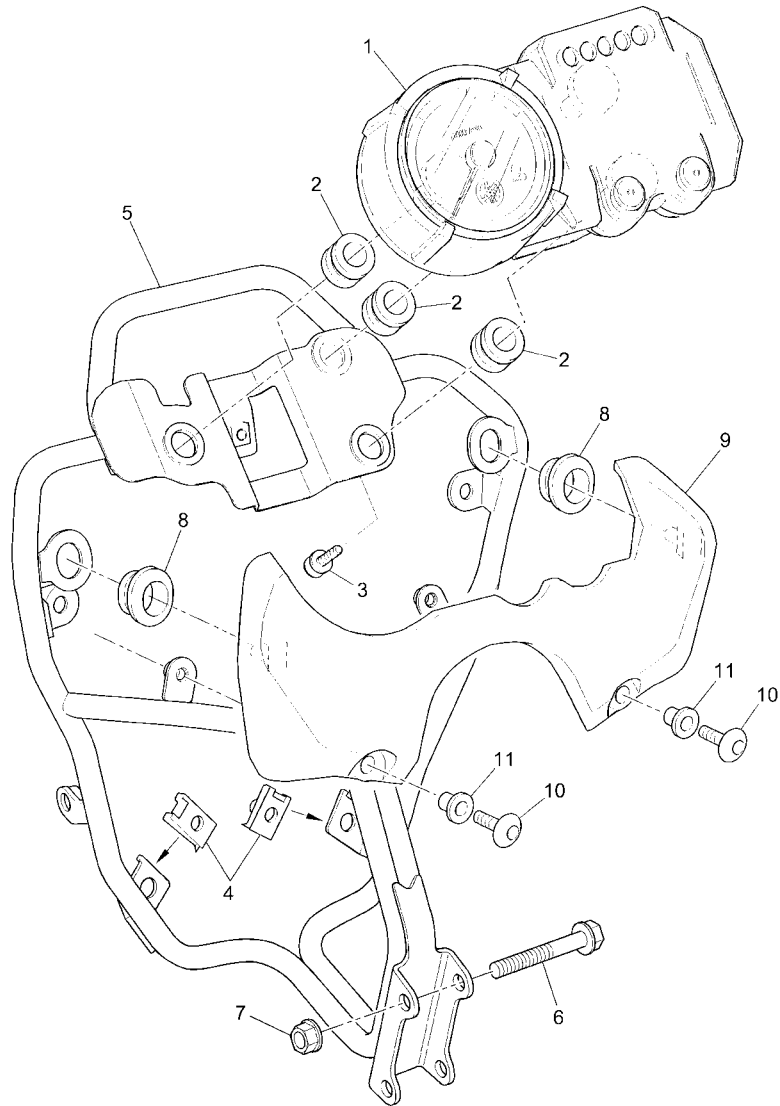
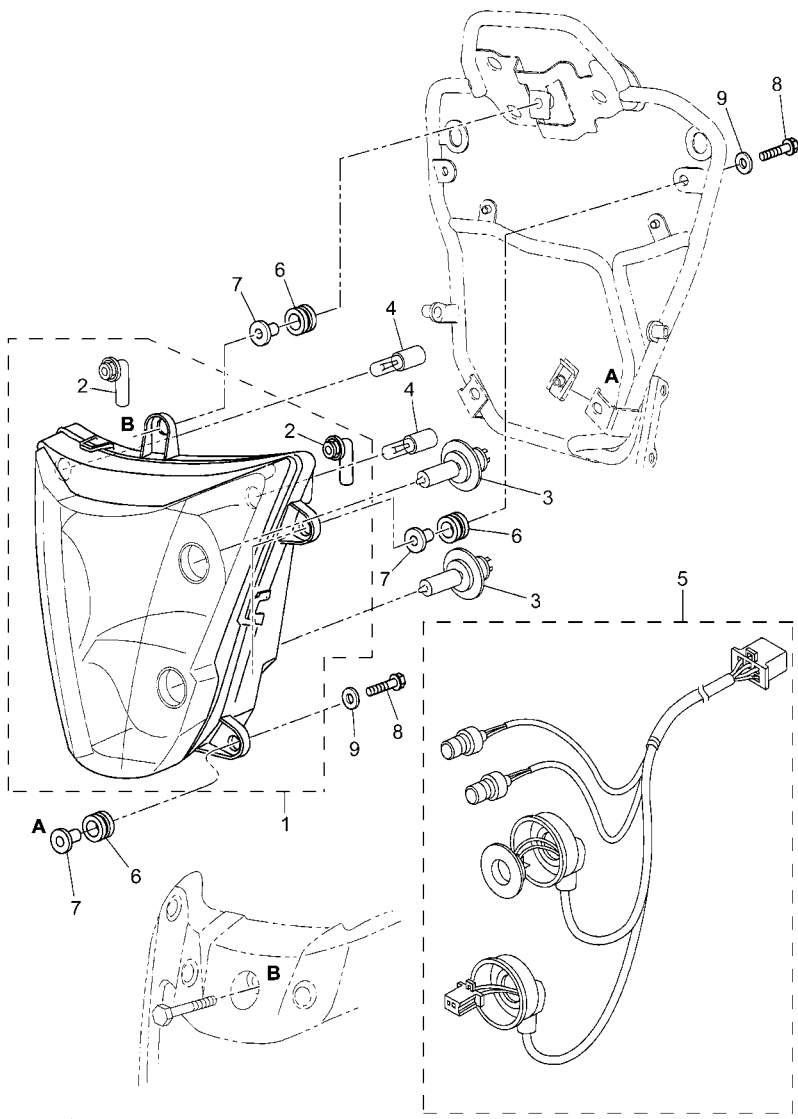


FIG. 39 METER

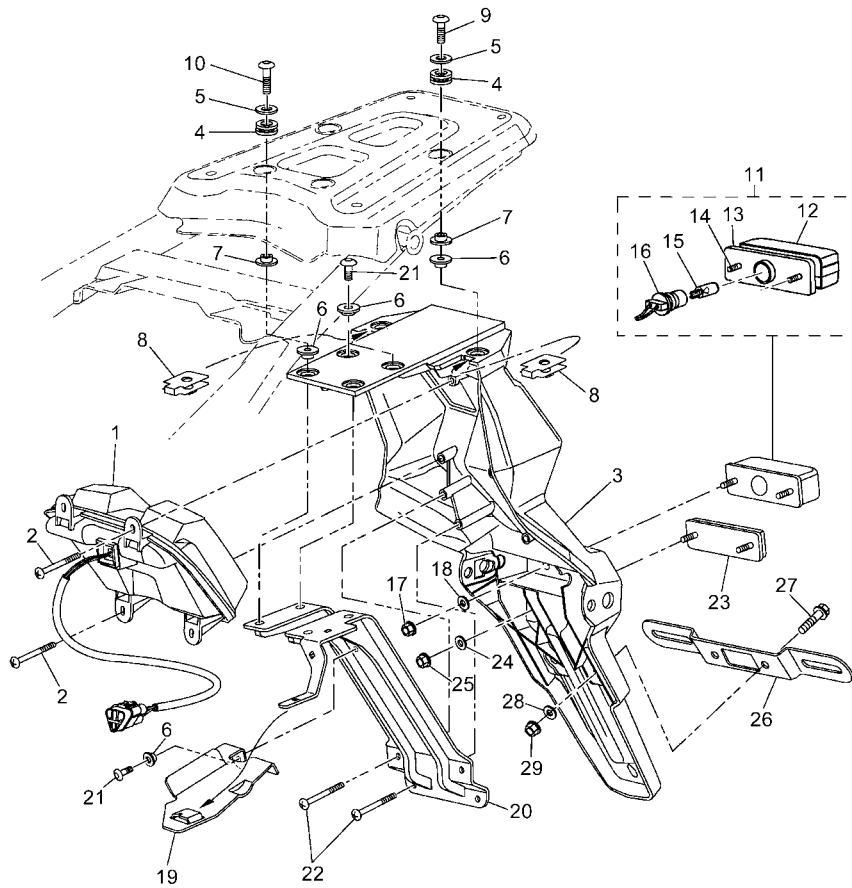
REF. NO.	PART NO.	DESCRIPTION	11D5				REMARKS
1	11D-H3500-02	METER ASSY	1				
2	5CH-H3523-00	DAMPER	3				
3	90164-05014	SCREW, TAPPING	3				
4	2VW-F1736-00	NUT, PLATE	2				
5	11D-F8356-00	STAY 1	1				
6	95817-08045	BOLT, FLANGE	2				
7	95607-08200	NUT, SELF-LOCKING	2				
8	90480-01558	GROMMET	2				
9	11D-F836K-00	PANEL, INNER 1	1				
10	90111-06X17	BOLT, HEX. SOCKET BUTTON	2				
11	90387-06X38	COLLAR	2				



11D6300-J400

FIG. 40 HEADLIGHT

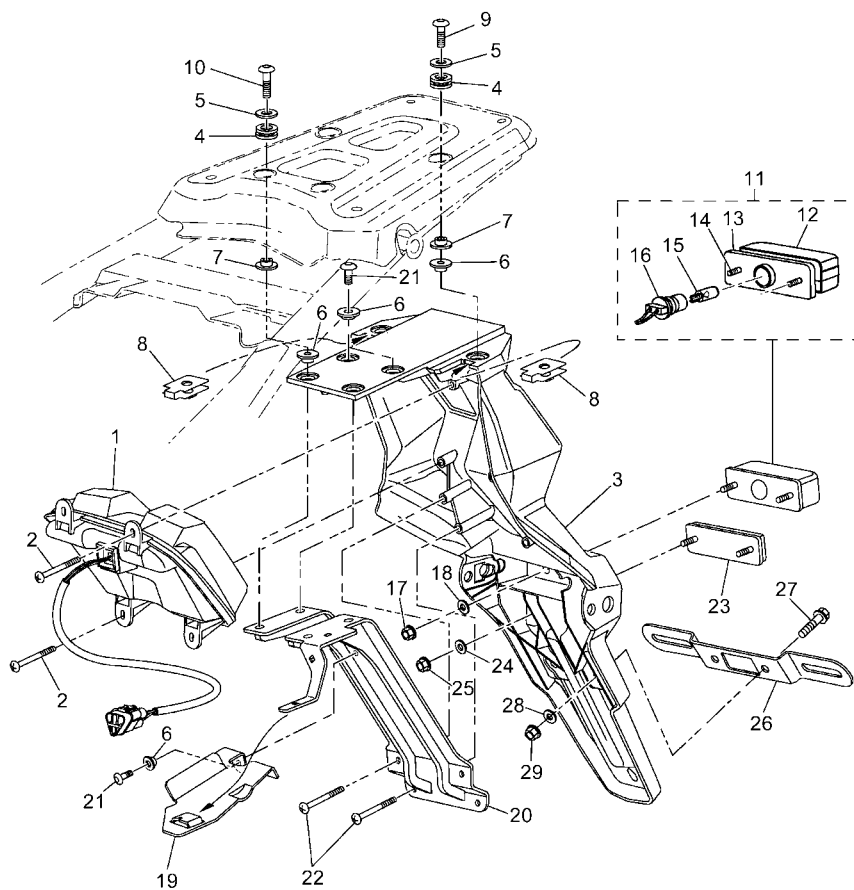
REF. NO.	PART NO.	DESCRIPTION	11D5				REMARKS
1	11D-H410A-10	HEADLIGHT UNIT COMP.	1				
2	5JN-H4352-00	.GROMMET	2				
3	5B2-H4314-00	BULB, HEADLIGHT (H7, 12V-55W)	2				
4	*	BULB (12V-3W)	2				LM
5	11D-H4312-00	CORD ASSY	1				
6	90480-14023	GROMMET	5				
7	90387-068L3	COLLAR	5				
8	95817-06035	BOLT, FLANGE	4				
9	9290M-06200	WASHER	2				



11D6300-J410

FIG. 41 TAILLIGHT

REF. NO.	PART NO.	DESCRIPTION	11D5				REMARKS
1	56P-H4710-00	TAILLIGHT UNIT ASSY	1				
2	97707-40012	SCREW, TAPPING	4				
3	11D-F1685-00	BRACKET, LICENSE	1				
4	90480-11006	GROMMET	4				
5	90201-06X14	WASHER, PLATE	4				
6	90387-06X41	COLLAR	7				
7	90387-06X42	COLLAR	4				
8	47X-21736-01	NUT, PLATE	2				
9	92017-06020	BOLT, BUTTON HEAD	2				
10	9201L-06025	BOLT, BUTTON HEAD	2				
11	11D-H4745-01	LICENCE LIGHT UNIT ASSY	1				
12	5YK-H4749-00	.BODY, LICENCE LIGHT	1				
13	5YK-H4741-00	.BASE, LICENCE LIGHT	1				
14	9770L-30110	.SCREW, TAPPING	2				
15	*	.BULB (12V-5W)	1				LM
16	11D-H4547-01	.CORD, LICENCE LIGHT	1				
17	9570L-05300	NUT, FLANGE	2				
18	9290L-05200	WASHER	2				
19	11D-H2589-01	PROTECTOR, WIRE HARNESS	1				
20	11D-F1670-01	REINF. COMP.	1				
21	9201L-06014	BOLT, BUTTON HEAD	3				
22	97707-40020	SCREW, TAPPING	4				
23	5YK-H5130-00	REAR REFLECTOR ASSY	1				
24	92907-04200	WASHER	2				
25	9570L-04300	NUT, FLANGE	2				
26	3SH-H4551-00	BRACKET, LICENCE	1				
27	9581M-06016	BOLT, FLANGE	2				



11D6300-J410

FIG. 41 TAILLIGHT

REF. NO.	PART NO.	DESCRIPTION	11D5				REMARKS
28	90201-06X14	WASHER, PLATE	2				
29	9571L-06300	NUT, FLANGE	2				

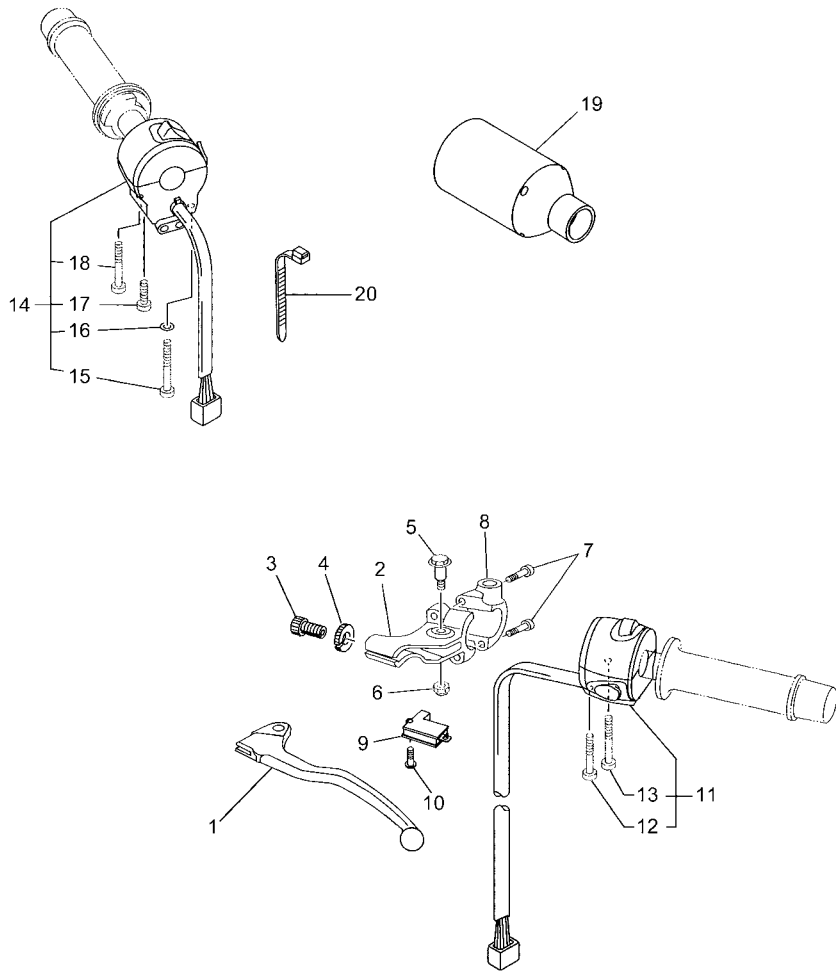
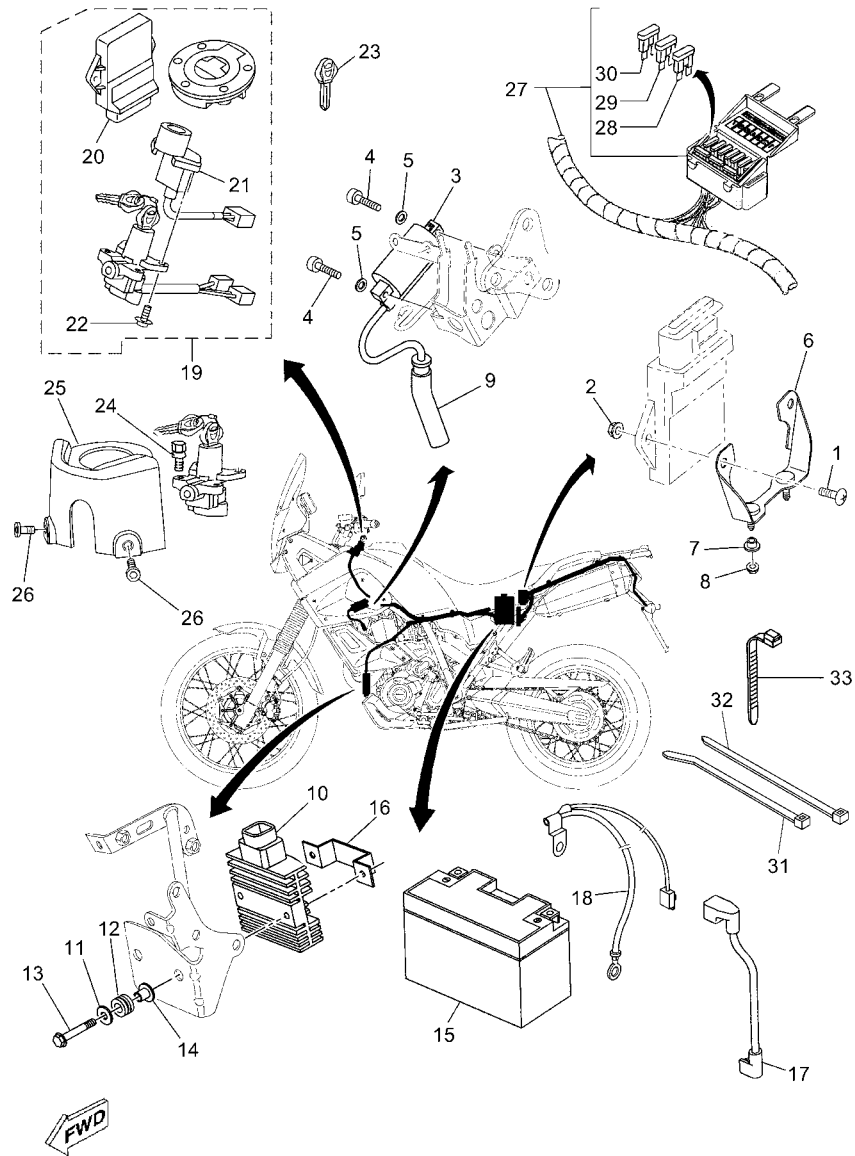


FIG. 42 HANDLE SWITCH & LEVER

REF. NO.	PART NO.	DESCRIPTION	11D5				REMARKS
1	11D-H3912-00	LEVER 1	1				
2	11D-H2911-00	HOLDER, LEVER 1	1				
3	11D-H3951-00	BOLT, CABLE ADJUSTING	1				
4	5D7-H3927-00	NUT, ADJUSTING	1				
5	11D-H3945-00	BOLT, LEVER	1				
6	90185-06837	NUT, SELF-LOCKING	1				
7	11D-H3546-00	BOLT	2				
8	11D-H2913-00	HOLDER, LEVER LOWER 1	1				
9	3YX-82917-01	SWITCH	1				
10	98707-03020	SCREW, FLAT HEAD	1				
11	5VK-83969-00	SWITCH, HANDLE 5	1				
12	98507-05030	.SCREW, PAN HEAD	1				
13	98507-05045	.SCREW, PAN HEAD	1				
14	5VK-83975-00	SWITCH, HANDLE 2	1				
15	98507-05055	.SCREW, PAN HEAD	1				
16	92907-05600	.WASHER, PLATE	1				
17	98507-05045	.SCREW, PAN HEAD	1				
18	98507-05020	.SCREW, PAN HEAD	1				
19	11D-H1662-00	COVER, CONNECTER	1				
20	90464-25004	CLAMP	4				



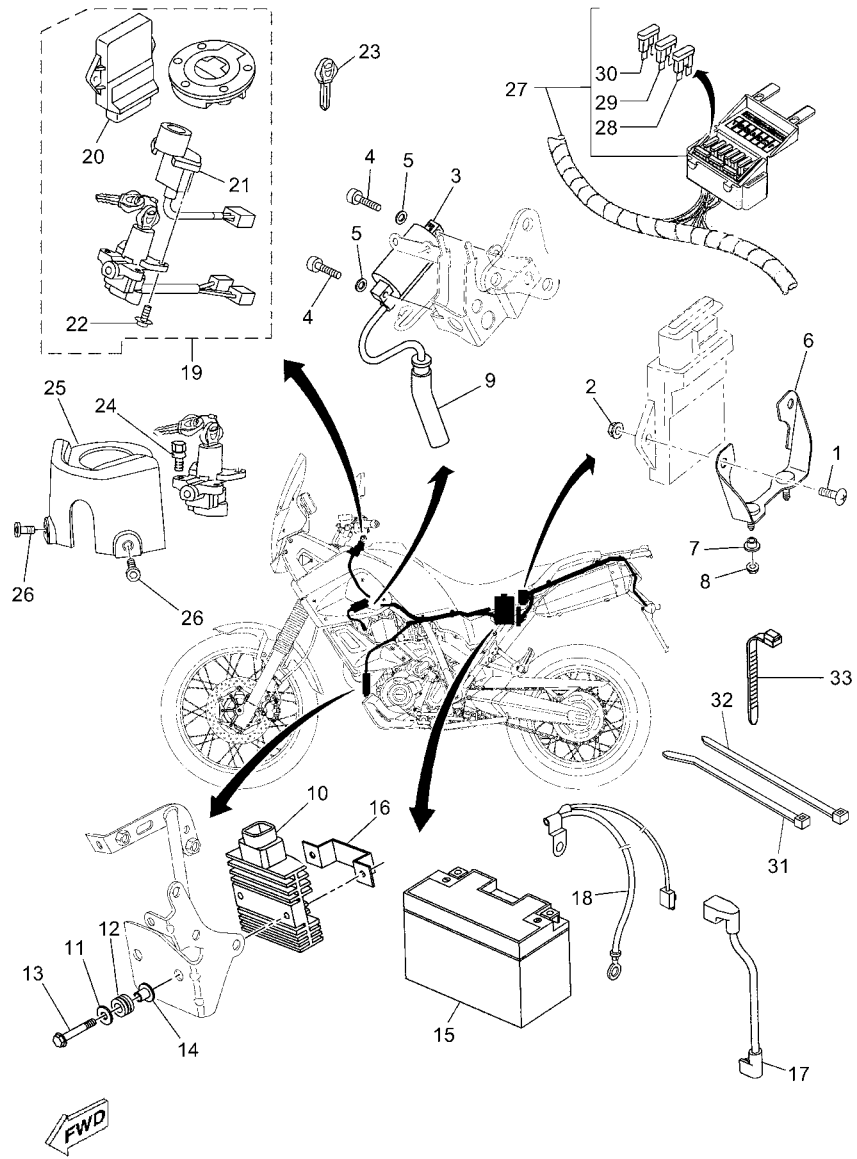
11D6300-J420



11D8300-K430

FIG. 43 ELECTRICAL 1

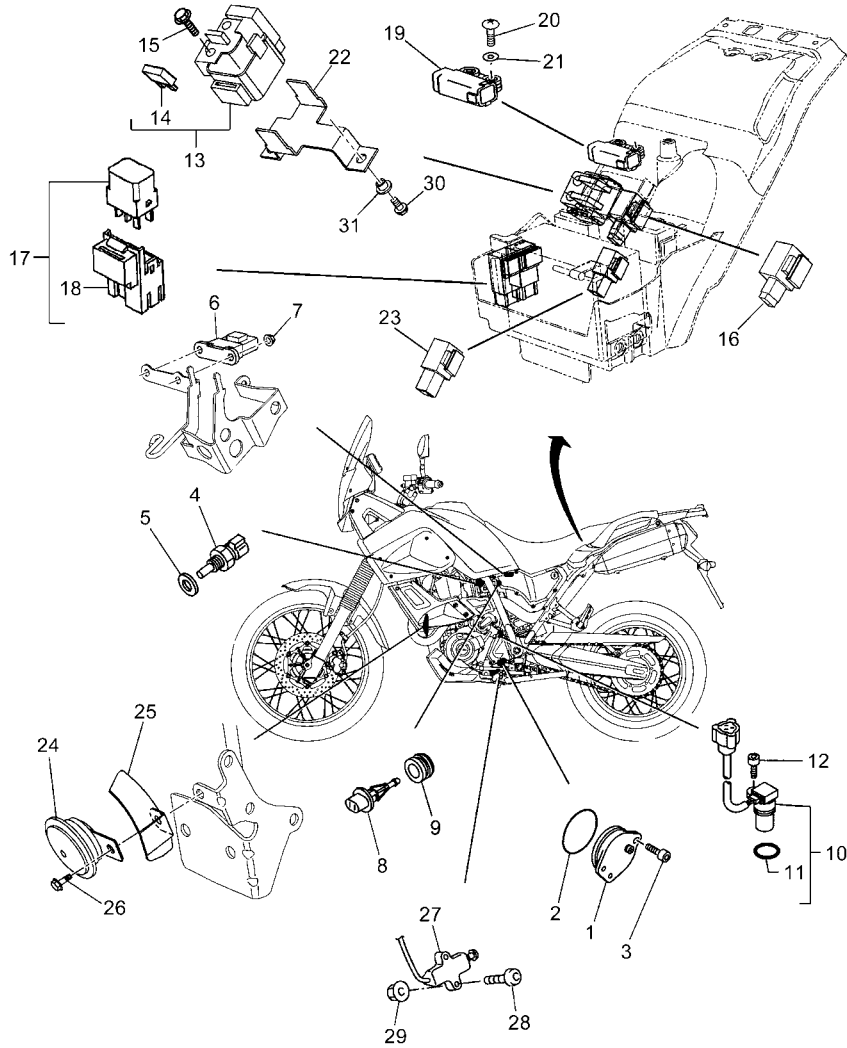
REF. NO.	PART NO.	DESCRIPTION	11D5				REMARKS
1	90111-06X19	BOLT,HEX. SOCKET BUTTON	2				
2	9570L-06500	NUT, FLANGE	2				
3	4GV-82310-00	IGNITION COIL ASSY	1				
4	9131M-05020	BOLT	2				
5	9290M-05600	WASHER	2				
6	11D-H5991-00	BRACKET, UNIT	1				
7	90387-06202	COLLAR	2				
8	95607-06200	NUT, SELF U-FLANGE	2				
9	5VK-82370-00	PLUG CAP ASSY	1				
10	4XY-81960-00	RECTIFIER & REGULATOR ASSY	1				
11	90201-06072	WASHER, PLATE	2				
12	90480-15363	GROMMET	2				
13	95807-06040	BOLT, FLANGE	2				
14	90387-06042	COLLAR	2				
15	5FL-82100-01	BATTERY ASSY (GT9B-4)	1				
16	11D-F1287-00	BRACKET, REGULATOR	1				
17	5YK-82115-00	WIRE, PLUS LEAD	1				
18	11D-H2116-00	WIRE, MINUS LEAD	1				
19	11D-W8250-10	MAIN SW. IMMOBILIZER KIT	1				
20	11D-8591A-00	.ENGINE CONTROL UNIT ASSY	1				
21	5YK-8255P-00	.IMMOBILIZER. UNIT COMP.	1				
22	5SL-82113-01	.SCREW	2				
23	5SL-82511-08	BLANK KEY	1				AP
24	90109-08195	BOLT	2				
25	11D-H2568-00	COVER, MAIN SWITCH	1				
26	90111-05011	BOLT,HEX. SOCKET BUTTON	2				
27	11D-H2590-01	WIRE HARNESS ASSY	1				



11D8300-K430

FIG. 43 ELECTRICAL 1

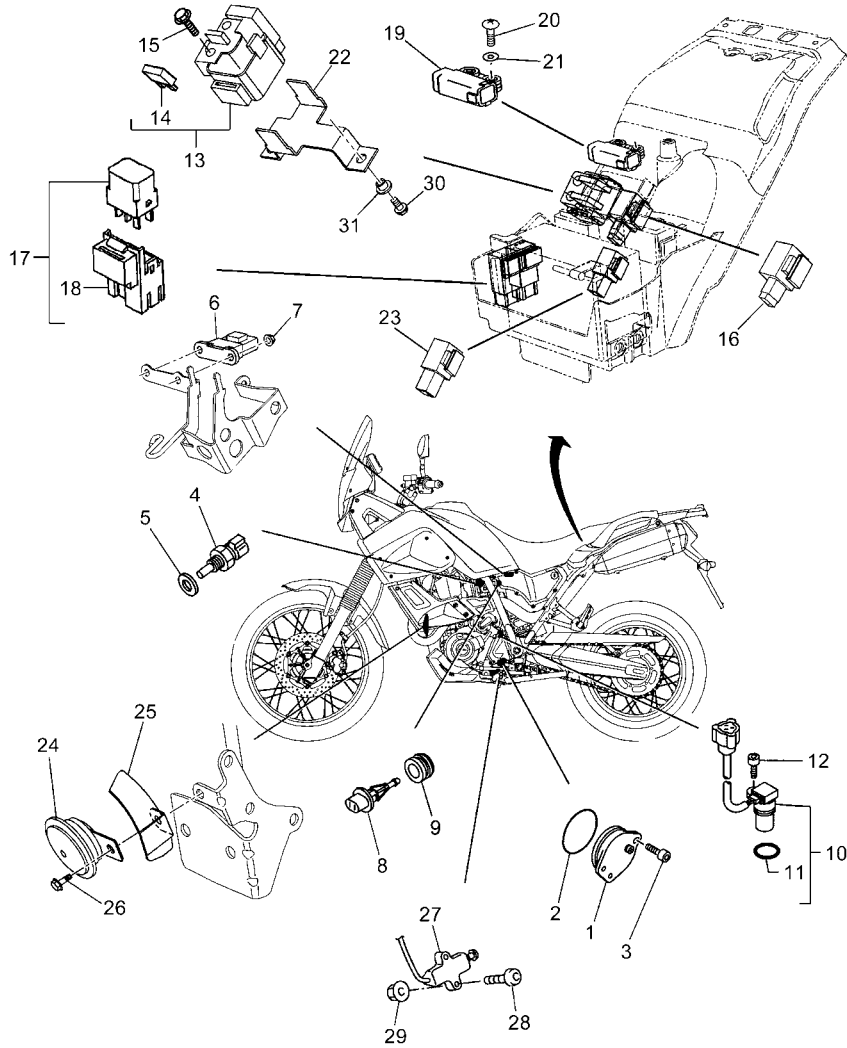
REF. NO.	PART NO.	DESCRIPTION	11D5				REMARKS
28	5JJ-82151-20	.FUSE (20A-BL)	2				
29	5JJ-82151-30	.FUSE (10A-BL)	6				
30	5JJ-82151-00	.FUSE (7.5A-BL)	2				
31	90464-32X00	CLAMP	11				
32	90464-90X00	CLAMP	15				
33	90464-25004	CLAMP	2				



11D6300-J440

FIG. 44 ELECTRICAL 2

REF. NO.	PART NO.	DESCRIPTION	11D5				REMARKS
1	1AE-82540-00	NEUTRAL SWITCH ASSY	1				
2	93210-29X00	O-RING	1				
3	90110-06122	BOLT, HEXAGON SOCKET HEAD	2				
4	5PS-85790-00	THERMOSENSOR ASSY	1				
5	90430-12X01	GASKET	1				
6	5PS-82380-00	SENSOR, PRESSURE	1				
7	9571L-06300	NUT, FLANGE	2				
8	5VU-85886-00	SENSOR, AIR TEMPRATURE	1				
9	5CA-14435-00	GROMMET	1				
10	11D-83755-00	SENSOR, SPEED	1				
11	4D9-81168-00	.O-RING	1				
12	91317-06014	BOLT	1				
13	4SV-81940-12	STARTER RELAY ASSY	1				
14	1AE-82151-00	.FUSE (30A-BL)	2				
15	95027-06008	BOLT, FLANGE	2				
16	5VK-81950-40	RELAY ASSY	1				
17	5EA-81950-20	RELAY ASSY	2				
18	5EA-81952-00	.HOLDER, RELAY	1				
19	2S5-H2576-00	SENSOR, LEAN ANGLE	1				
20	97707-40025	SCREW, TAPPING	2				
21	90201-047A2	WASHER, PLATE	2				
22	11D-H1953-00	STAY, RELAY	1				
23	4GY-83350-00	FLASHER RELAY ASSY	1				
24	5VK-H3371-00	HORN	1				
25	11D-H3376-00	COVER, HORN	1				
26	9581M-06012	BOLT, FLANGE	1				
27	5VS-82566-61	SWITCH, SIDE STAND	1				



11D6300-J440

FIG. 44 ELECTRICAL 2

REF. NO.	PART NO.	DESCRIPTION	11D5				REMARKS
28	92017-05025	BOLT, BUTTON HEAD	2				
29	95607-05200	NUT, U FLANGE	2				
30	9581M-06014	BOLT, FLANGE	2				
31	90387-06202	COLLAR	2				

NUMERICAL INDEX

PART NO.	REF. NO.	PART NO.	REF. NO.	PART NO.	REF. NO.	PART NO.	REF. NO.	PART NO.	REF. NO.	PART NO.	REF. NO.
4G0-11133-11	1 - 2	5VK-13971-00	26 - 42	5VK-25181-00	28 - 12	5JJ-82151-00	43 - 30	11D-E2461-01	7 - 8	11D-E4798-00	12 - 31
5VK-11181-00	1 - 4	5PS-14147-00	10 - 9	5VK-25311-00	31 - 1	5JJ-82151-20	43 - 28	5VK-E2462-00	7 - 10	11D-E4881-00	11 - 4
214-11198-01	8 - 14	8CC-14216-10	10 - 5	5Y1-25364-00	31 - 12	5JJ-82151-30	43 - 29	56P-E2465-00	7 - 16	11D-E4882-00	11 - 7
5VK-11311-00	2 - 1	5CA-14435-00	44 - 9	5VK-25366-00	31 - 5	4GV-82310-00	43 - 3	5VK-E2469-00	6 - 16	5VK-E5100-00	13 - 1
5VK-11351-00	2 - 2	56B-14503-00	10 - 6	5VK-25377-00	31 - 7	5VK-82370-00	43 - 9	11D-E2498-00	7 - 32	5VK-E5118-00	14 - 25
5VK-11400-01	3 - 1	5VK-14531-00	10 - 7	10S-25381-00	31 - 20	5PS-82380-00	44 - 6	5VK-E2577-10	6 - 22	11D-E5199-00	15 - 23
5VK-11401-09	3 - 2	3YF-14613-01	12 - 21	3HT-25398-00	28 - 10	5SL-82511-08	43 - 23	11D-E2578-00	7 - 5	11D-E5371-11	9 - 31
5VK-11422-00	3 - 3	4EL-14714-00	12 - 7		31 - 18	1AE-82540-00	44 - 1	11D-E2579-00	7 - 25	5VK-E5383-00	13 - 16
5VK-11603-00	3 - 12		12 - 12	5VK-25445-01	31 - 10	5YK-8255P-00	43 - 21	5B2-E2623-00	7 - 12	5VK-E5416-00	14 - 27
5VK-11631-00	3 - 11	5VK-14803-00	11 - 6	4ML-2582A-50	35 - 11	5VS-82566-61	44 - 27	11D-E2662-00	7 - 14	11D-E5421-00	14 - 16
5VK-11633-00	3 - 13	5VK-14815-00	11 - 2	5VK-2583V-00	35 - 7	3YX-82917-01	42 - 9	5B2-E2671-00	7 - 13	5VK-E5431-00	14 - 19
5VK-11651-00	3 - 6	5VK-14871-02	11 - 1	5VS-25852-00	33 - 3	4GY-83350-00	44 - 23	5B2-E2675-00	7 - 11	5VK-E5441-01	14 - 23
5VK-11681-01	3 - 4	5VK-15455-00	14 - 36	3XP-25852-50	35 - 16	11D-83755-00	44 - 10	5VK-E3181-00	8 - 15	5VK-E5451-10	14 - 2
5VK-12111-00	4 - 1	5VK-15590-00	15 - 8	20S-25854-00	33 - 5	5VS-E3922-00	33 - 9	5B2-E2671-00	8 - 1	5VK-E5453-10	14 - 29
5VK-12113-00	4 - 3	22U-16321-00	16 - 11	2VN-25854-00	35 - 17	5VK-83969-00	42 - 11	5VK-E3327-00	8 - 8	5VK-E5462-10	14 - 20
3YF-12116-00	4 - 4	5TA-16321-00	16 - 18	2VN-25855-00	35 - 18	5VK-83975-00	42 - 14	5VK-E3356-00	8 - 7	11D-E5491-00	14 - 28
3YF-12117-01	4 - 6	5VK-16331-00	16 - 15	5VS-25855-00	33 - 4	4HM-83980-00	33 - 12	5VK-E3415-10	8 - 11	11D-E5492-01	13 - 12
4G0-12118-00	4 - 7	5VK-16340-00	16 - 22	2VN-25866-00	35 - 10	5PS-85790-00	44 - 4	11D-E3542-00	9 - 29	5VK-E5511-00	15 - 12
5H0-12119-00	4 - 5	132-16346-00	18 - 10	5VS-25867-00	33 - 11	3P6-85885-00	10 - 10	11D-E3545-00	9 - 26	5VK-E5515-00	15 - 1
5VK-12121-00	4 - 2	4XV-16356-01	16 - 21	5JJ-25894-01	35 - 15	5VU-85886-00	44 - 8	5VK-E3586-10	9 - 1	5VK-E5517-00	15 - 5
5VK-12146-00	4 - 10	5VK-18101-00	19 - 1	11D-25895-00	35 - 19	11D-8591A-00	43 - 20	11D-E4411-00	9 - 3	5VK-E5522-00	15 - 4
5BP-12159-01	4 - 11	5VK-18127-00	18 - 12	5VS-2589F-00	33 - 7	1B9-8592A-00	12 - 5	11D-E441A-00	9 - 4	5VK-E5560-00	15 - 6
4DW-12213-00	5 - 15	5JW-18140-00	18 - 11	5VS-2589H-00	33 - 6	5VK-E1101-02	1 - 1	11D-E441E-00	9 - 5	5VK-E6111-00	16 - 1
5VK-12280-01	5 - 5	2J5-21732-00	20 - 32	4YR-26240-02	32 - 2	11D-E111B-01	12 - 28	11D-E4430-00	9 - 10	5VK-E6150-10	16 - 6
5VK-12284-00	5 - 3	47X-21736-01	41 - 8	4YR-26241-02	32 - 3	5VK-E111F-00	5 - 6	11D-E443E-00	9 - 12	5VK-E6154-00	16 - 14
5VK-12290-00	5 - 4	4YR-22141-10	22 - 8	5VS-26332-00	33 - 10	11D-E112B-01	12 - 34	11D-E4451-00	9 - 9	5VK-E6325-00	16 - 10
5VK-12410-00	7 - 1	10V-22178-00	20 - 17	1E6-26342-00	32 - 7	11D-E113B-01	12 - 11	5VK-E6351-00	9 - 7	5VK-E6351-00	16 - 8
5VK-12421-00	6 - 6	30X-22178-00	20 - 16	4SS-27218-00	35 - 13	11D-E113B-11	12 - 40	11D-E4453-00	9 - 6	5VK-E6371-00	16 - 7
5VK-12422-00	6 - 3	10V-22184-00	20 - 18	2YK-27222-00	35 - 12	5YK-E1166-00	13 - 13	11D-E4457-00	9 - 11	5VK-E6382-00	16 - 24
5VK-12428-00	6 - 11	30X-2219X-00	22 - 5	3KW-27234-00	35 - 14	11D-E1167-00	9 - 15	11D-E4611-00	12 - 1	5VK-E6383-00	16 - 16
11H-12438-10	6 - 9	1C3-22969-10	22 - 30	3LD-27411-01	34 - 9	5VK-E1185-00	1 - 12	5YK-E4612-00	12 - 2	5VK-E6384-00	16 - 17
5VK-12450-00	6 - 2		22 - 34	3LD-27413-00	34 - 10	5VK-E1186-00	1 - 16	11D-E4621-00	12 - 6	5VK-E7121-10	17 - 10
5VK-12459-00	6 - 14	3XJ-23125-L0	25 - 10		34 - 17	5VK-E1454-00	3 - 18	11D-E4624-00	12 - 39	5VK-E7131-10	17 - 5
5VK-12481-00	6 - 19		25 - 31	3LD-27421-01	34 - 16	5VK-E1531-00	3 - 17	11D-E4628-00	12 - 10	5VK-E7141-10	17 - 2
583-13113-00	8 - 32	4DA-23144-L0	25 - 14	5JJ-27437-01	34 - 31	5VK-E1536-00	3 - 16	11D-E4631-01	12 - 13	5VK-E7151-10	17 - 6
5VK-13160-00	10 - 2		25 - 35		34 - 42	5VK-E2151-00	4 - 8	11D-E4648-00	12 - 38	5VK-E7211-10	17 - 22
5VK-13161-00	8 - 25	4DA-23145-L0	25 - 11	4D9-81168-00	44 - 11	5VK-E2161-00	4 - 9	11D-E4708-01	12 - 23	5VK-E7221-10	17 - 14
5VK-13171-00	8 - 28		25 - 32	5VK-81410-00	37 - 1	5VK-E2170-20	5 - 1	11D-E4708-11	12 - 29	5VK-E7231-10	17 - 18
3AJ-13325-00	8 - 5	3XJ-23171-L0	25 - 5	5VK-81450-10	37 - 2	5VK-E2210-00	5 - 13	11D-E4710-20	12 - 19	5VK-E7241-10	17 - 21
5LP-13329-00	8 - 2		25 - 26	4SV-81940-12	44 - 13	5VK-E2231-00	5 - 10	5YK-E4714-00	12 - 16	5VK-E7251-10	17 - 17
11D-13405-00	8 - 39	4V4-23188-L0	25 - 17	5EA-81950-20	44 - 17	5VK-E2241-00	5 - 11	11D-E4715-00	12 - 14	5VK-E7401-10	17 - 1
4X7-13440-01	8 - 17		25 - 38	5VK-81950-40	44 - 16	11D-E2405-00	7 - 9	5VK-E7418-00	12 - 24	5VK-E7402-10	17 - 13
2WK-13447-00	8 - 18	1W1-23416-00	24 - 3	5EA-81952-00	44 - 18	11D-E240J-00	7 - 17	11D-E4728-00	12 - 30	5VK-E7460-10	17 - 32
5VK-13464-00	8 - 35	3YF-23418-00	24 - 6	4XY-81960-00	43 - 10	11D-E240K-00	7 - 20	5CH-E4766-00	12 - 18	5VK-E7466-00	14 - 17
11D-13467-00	8 - 40	1E6-23441-10-35	24 - 11	5FL-82100-01	43 - 15	5VK-E2413-00	7 - 2	11D-E4770-00	12 - 46	5VK-E7471-00	17 - 29
5YK-13750-11	10 - 1	3AJ-23442-00-35	24 - 12	5SL-82113-01	43 - 22	5VK-E2436-00	6 - 1	5YK-E477R-00	12 - 3	11D-E8110-00	19 - 2
5VK-13761-00	10 - 8	5JW-24486-00	26 - 5	5YK-82115-00	43 - 17	5YK-E243A-10	9 - 21	5YK-E477T-00	12 - 8	5VK-E8113-00	19 - 3
11D-13907-01	26 - 3	5JJ-24602-00	26 - 9	1AE-82151-00	44 - 14	5YK-E244G-00	9 - 22	11D-E4787-00	12 - 25	5VK-E8144-00	18 - 9

NUMERICAL INDEX

PART NO.	REF. NO.	PART NO.	REF. NO.	PART NO.	REF. NO.	PART NO.	REF. NO.	PART NO.	REF. NO.	PART NO.	REF. NO.
5VK-E8501-00	18 - 6	11D-F2110-00	22 - 1	11D-F413B-00	26 - 24	5VK-F582W-00	30 - 8	11D-F836U-00	26 - 33	11D-H3945-00	42 - 5
5VK-E8502-00	18 - 7	11D-F2123-00	22 - 7	11D-F4141-00	26 - 22	11D-F5872-00	33 - 16		26 - 37	11D-H3951-00	42 - 3
5VK-E8503-00	18 - 8	11D-F2151-00	22 - 29	11D-F4181-00	26 - 12	11D-F5873-00	35 - 28		36 - 14	11D-H410A-10	40 - 1
5VK-E8540-10	18 - 1	11D-F217A-00	22 - 14	11D-F4182-00	26 - 25	5DS-F5917-00	29 - 7	11D-F8381-10	36 - 5	11D-H4312-00	40 - 5
5VK-E8542-00	18 - 3	5JN-F217M-00	22 - 15	11D-F4183-00	20 - 36		29 - 14	11D-F842M-00	36 - 9	5B2-H4314-00	40 - 3
5VK-E8566-00	18 - 4	11D-F2210-00	23 - 1	11D-F4192-00	26 - 28		30 - 7	11D-F842N-00	36 - 11	5JN-H4352-00	40 - 2
5VK-E8699-00	18 - 20	11D-F2311-00	22 - 33	11D-F4230-10	26 - 2	5DS-F5919-00	29 - 6	11D-H1662-00	42 - 19	11D-H4547-01	41 - 16
11D-F1110-01-98	20 - 1	11D-F3102-00	25 - 1	11D-F4240-10	26 - 2		29 - 13	5VK-H1801-00	15 - 14	3SH-H4551-00	41 - 26
11D-F1165-00	25 - 50	11D-F3103-00	25 - 22	11D-F4243-00	26 - 15	5VK-F5919-10	30 - 4	5VK-H1809-00	15 - 17	56P-H4710-00	41 - 1
5YK-F117B-A0	12 - 47	11D-F3108-00	25 - 3	11D-F4318-00	26 - 30	5D7-F5924-00	29 - 3	5VK-H1815-00	15 - 21	5YK-H4741-00	41 - 13
11D-F118W-10	20 - 38		25 - 24	5YK-F4478-00	26 - 21		29 - 10	5VK-H182A-00	15 - 20	11D-H4745-01	41 - 11
11D-F1287-00	43 - 16	11D-F3110-00	25 - 4	11D-F4481-00	27 - 22	5VK-F5924-10	30 - 3	5VK-H1844-00	15 - 18	5YK-H4749-00	41 - 12
11D-F1315-00	20 - 9		25 - 25	56B-F4491-10	26 - 4	11D-F6111-00	32 - 1	5VK-H1847-00	15 - 15	5WX-H5111-00	25 - 49
5BR-F1335-00	26 - 31	11D-F3111-00	25 - 16	11D-F4717-00	26 - 20	11D-F6246-00	32 - 4	5VK-H1850-00	15 - 16	5YK-H5130-00	41 - 23
11D-F1344-00	20 - 26		25 - 37	11D-F471K-00	27 - 14	5VK-F6280-00	32 - 9	5VK-H1871-00	15 - 19	11D-H5991-00	43 - 6
11D-F137W-00	26 - 32	11D-F3118-00	25 - 20	11D-F4731-10	27 - 2	5VK-F6290-00	32 - 10	3SX-H1890-00	15 - 11	5VS-W0041-00	33 - 2
11D-F137X-00	26 - 36		25 - 41	11D-F4731-20	27 - 2	5VK-F6311-00	32 - 5	11D-H1953-00	44 - 22	3BN-W0042-50	35 - 8
5YK-F1399-00	20 - 11	11D-F3126-00	25 - 2	5YK-F4741-00	27 - 3	5VK-F6312-00	32 - 6	11D-H2116-00	43 - 18	5VK-W0046-00	30 - 2
11D-F1400-00	20 - 6	5VK-F3128-00	25 - 43	11D-F474A-00	27 - 19	5VK-F6335-00	32 - 8	11D-H2530-00	35 - 27	2TV-W2470-00	27 - 11
11D-F1410-00	20 - 13	11D-F3136-00	25 - 23	11D-F474W-00	27 - 20	11D-F7211-00	35 - 1	11D-H2568-00	43 - 25	5PS-W2587-00	33 - 1
11D-F1471-00	20 - 28	11D-F3141-00	25 - 15	11D-F4770-10	27 - 1	5YK-F7213-00	35 - 3	2S5-H2576-00	44 - 19	11D-W8250-10	43 - 19
11D-F1494-00	20 - 35		25 - 36	11D-F4770-20	27 - 1	11D-F7216-00	35 - 2	11D-H2589-01	41 - 19	5VK-WE343-00	8 - 10
11D-F1511-00-P0	21 - 1	11D-F3146-00	25 - 12	5AD-F4780-00	27 - 4	11D-F7311-00	34 - 1	11D-H2590-01	43 - 27	5VK-WE541-00	14 - 1
11D-F1511-00-P3	21 - 1		25 - 33	11D-F478E-00	27 - 10	11D-F7313-00	34 - 3	11D-H2911-00	42 - 2	5VK-WE544-10	14 - 32
11D-F1568-00	26 - 23	5VK-F3149-00	25 - 21	11D-F483H-00	27 - 28	11D-F7321-00	34 - 2	11D-H2913-00	42 - 8	11D-XF411-20-P0	26 - 1
11D-F1629-00	21 - 7		25 - 42	11D-F4844-00	27 - 26	11D-F741L-01	34 - 25	11D-H3310-10	38 - 1	11D-XF411-20-P1	26 - 1
11D-F1670-01	41 - 20	5VK-F3151-00	25 - 8	11D-F4845-01	27 - 23	11D-F742L-01	34 - 36	5VK-H3311-00	38 - 3	11D-XF411-30-P0	26 - 1
11D-F1685-00	41 - 3		25 - 29	11D-F4846-01	27 - 24	11D-F743A-00	34 - 26		38 - 7	11D-XF411-30-P1	26 - 1
2VW-F1736-00	7 - 35	5VK-F3153-00	25 - 13	11D-F5104-01	28 - 6	11D-F743G-00	34 - 37		38 - 14	90101-06X26	17 - 30
	12 - 20		25 - 34	11D-F5111-00	28 - 1	11D-F7446-00	35 - 25		38 - 18	90101-08777	31 - 23
	21 - 14	5VK-F3157-00	25 - 7	11D-F5117-00	28 - 2	11D-F7452-00	34 - 15	22B-H3312-00	38 - 2	90101-10659	23 - 4
	36 - 4		25 - 28	5VK-F5183-00	28 - 11		34 - 22		38 - 17	90101-12002	22 - 24
	39 - 4	5JH-F3158-00	25 - 18	5VK-F5186-00	28 - 13	1B9-F7454-00	34 - 27	11D-H3320-10	38 - 5	90105-05016	27 - 6
	21 - 9		25 - 39	5VK-F5304-01	31 - 13		34 - 38	22B-H3322-00	38 - 6	90105-07004	5 - 8
11D-F174A-01	21 - 10	11D-F3170-00	25 - 6	10S-F5388-00	31 - 21	11D-F8100-00	26 - 40		38 - 13	90105-08053	34 - 23
11D-F174T-01	20 - 2		25 - 27	10S-F5389-00	31 - 22	11D-F8170-00	26 - 41	11D-H3330-11	38 - 12	90105-08154	24 - 10
5VK-F1756-00	20 - 2		25 - 9	11D-F580T-00	29 - 1	11D-F8187-00	26 - 44	5D7-H3333-00	38 - 4		24 - 15
11D-F175H-00	27 - 5	5VK-F3173-00	25 - 30	11D-F580U-00	29 - 8	11D-F8199-22	27 - 29		38 - 8	90105-08X20	12 - 4
11D-F1761-00	20 - 22		25 - 19	5VK-F580W-00	30 - 1	11D-F819R-10	21 - 19		38 - 15		12 - 9
11D-F176B-00	27 - 15	5VK-F3181-00	25 - 40	11D-F5811-00	29 - 2	5DS-F8317-00	12 - 45		38 - 19		12 - 15
5DS-F1771-00	7 - 40		25 - 46		29 - 9	11D-F8345-00	7 - 15	11D-H3340-11	38 - 16	90105-09002	1 - 5
11D-F1778-00	21 - 12	11D-F3191-00	25 - 47	5VK-F581T-00	29 - 16	11D-F8351-00-P0	36 - 1	5VK-H3371-00	44 - 24	90105-09003	1 - 7
11D-F1779-00	21 - 13	11D-F3192-00	25 - 44	5SE-F5824-00	30 - 6	11D-F8351-00-P3	36 - 1	11D-H3376-00	44 - 25	90105-09004	1 - 6
11D-F177G-00	21 - 8	5VK-F3340-00	25 - 45	5D7-F5824-10	29 - 4	11D-F8356-00	39 - 5	11D-H3500-02	39 - 1	90105-10077	2 - 4
11D-F177M-00	20 - 39	5SE-F3394-00	24 - 9		29 - 11	11D-F836B-00	36 - 6	5CH-H3523-00	39 - 2	90105-10078	2 - 3
11D-F177N-00	21 - 11	11D-F3430-00	26 - 16	5DS-F5825-00	29 - 5	11D-F836K-00	39 - 9	11D-H3546-00	42 - 7	90105-10212	20 - 10
11D-F1823-00	22 - 31	11D-F4115-00	26 - 18		29 - 12	11D-F836L-00	36 - 10	11D-H3912-00	42 - 1	90105-10638	29 - 15
11D-F1871-00	7 - 36	11D-F412G-00	26 - 13		30 - 5	11D-F836M-00	36 - 12	5D7-H3927-00	42 - 4	90105-10733	20 - 14
11D-F1873-00	7 - 41										

NUMERICAL INDEX

PART NO.	REF. NO.	PART NO.	REF. NO.	PART NO.	REF. NO.	PART NO.	REF. NO.	PART NO.	REF. NO.	PART NO.	REF. NO.
90105-10X16	34 - 4	90179-06403	21 - 6	90202-26142	24 - 5	90387-06X38	39 - 11	90465-10044	1 - 15	91317-05014	37 - 4
90105-12028	23 - 2	90179-06520	36 - 13	90209-20012	16 - 3	90387-06X41	41 - 6	90465-10045	2 - 7	91317-06010	34 - 11
90109-06419	8 - 21	90179-08442	12 - 22	90209-21351	17 - 9	90387-06X42	41 - 7	90467-07138	9 - 30		34 - 18
90109-064G6	29 - 17	90179-16448	3 - 9	90209-21X00	17 - 3	90387-07037	9 - 34	90467-08003	7 - 43	91317-06012	6 - 21
90109-065F3	30 - 9	90179-18003	17 - 34		17 - 19	90387-08024	20 - 19		7 - 45		8 - 31
90109-08195	43 - 24	90179-25615	24 - 4	90209-22X00	17 - 8	90387-087L3	26 - 26	90467-09006	26 - 14		14 - 14
90109-12X00	22 - 21	90183-05812	27 - 9	90209-26348	17 - 15	90387-124V0	22 - 26	90467-10008	8 - 44		14 - 26
90110-05112	26 - 10	90185-06837	38 - 10	90215-18X00	3 - 24	90387-126Y1	22 - 13		8 - 46	91317-06014	44 - 12
90110-06122	44 - 3		38 - 21	90215-20X00	16 - 4		22 - 20	90467-11090	9 - 13	91317-06016	8 - 42
90110-06202	7 - 37		42 - 6	90215-20X01	16 - 19	90387-127W0	22 - 28		9 - 23		13 - 17
90110-08221	34 - 35	90185-12119	22 - 22	90215-21X00	17 - 33	90387-17801	31 - 25	90467-11108	9 - 24		26 - 8
	34 - 46	90201-047A2	44 - 21	90240-08124	35 - 22	90387-17802	31 - 26		9 - 25	91317-06018	1 - 18
90110-10191	34 - 8	90201-05X08	37 - 5	90240-10101	34 - 13	90387-21002	17 - 7	90467-12085	9 - 14	91317-06020	6 - 17
90111-05011	43 - 26	90201-06072	43 - 11		34 - 20	90387-25802	17 - 26		35 - 20		8 - 12
90111-06023	12 - 35	90201-06X04	27 - 8	90267-40X01	12 - 26	90401-08133	8 - 26	90467-14015	13 - 14		19 - 4
90111-06051	9 - 32	90201-06X14	41 - 5		12 - 32	90401-10096	8 - 29		13 - 15	91317-06025	5 - 14
90111-06068	12 - 43		41 - 28	90269-07007	7 - 23	90401-10X03	33 - 17	90467-14800	9 - 17		8 - 38
90111-06X17	7 - 22	90201-06X28	26 - 35	90269-08066	22 - 35		35 - 29	90467-17089	11 - 5		14 - 5
	12 - 42		26 - 39	90280-05001	3 - 7	90430-05X00	8 - 24		11 - 8		14 - 35
	39 - 10	90201-08083	35 - 23	90282-05058	3 - 22	90430-06014	6 - 12	90467-170A0	11 - 9	91317-06030	1 - 8
90111-06X19	7 - 18	90201-082H0	20 - 20	90282-07001	16 - 2	90430-08119	20 - 5	90467-170A2	9 - 27		13 - 5
	7 - 21	90201-086A3	12 - 49	90338-05008	27 - 13	90430-08X01	8 - 27	90467-17128	9 - 28		14 - 22
	7 - 33	90201-08M03	26 - 27	90340-14132	8 - 13	90430-09002	10 - 3	90467-17800	20 - 24	91317-06035	14 - 4
	26 - 34	90201-08X18	15 - 10	90340-14X00	14 - 10	90430-10X00	8 - 30	90467-17801	9 - 16		14 - 34
	26 - 38	90201-08X19	16 - 25	90340-36X00	14 - 12	90430-12X01	44 - 5	90480-01558	39 - 8	91317-06040	2 - 6
	27 - 16	90201-096J9	1 - 9	90380-22111	22 - 3	90430-22123	20 - 3	90480-11006	41 - 4	91317-06045	13 - 6
	43 - 1	90201-100L3	35 - 6	90387-06014	34 - 33	90445-08X05	7 - 42	90480-12072	20 - 29		14 - 18
90111-06X20	7 - 30	90201-10141	24 - 13		34 - 44	90445-08X06	7 - 44	90480-12497	21 - 3	91317-06050	6 - 24
	36 - 15	90201-101A4	2 - 5	90387-06042	7 - 29	90445-11X01	8 - 43	90480-12581	12 - 36		14 - 6
90116-10485	31 - 9	90201-101J1	23 - 6		43 - 14	90450-20X01	8 - 45	90480-13398	15 - 24		14 - 7
90119-06044	35 - 21	90201-10X07	33 - 18	90387-06161	7 - 39		20 - 25	90480-14014	7 - 38	91317-06055	13 - 7
90119-06105	16 - 13		35 - 30	90387-06202	21 - 18	90450-32X03	6 - 23	90480-14023	40 - 6	91317-06060	13 - 8
90119-06X05	5 - 12	90201-10X17	16 - 30		43 - 7		7 - 6	90480-15363	7 - 31	91317-06080	13 - 9
90149-05110	8 - 23	90201-10X18	15 - 7		44 - 31		7 - 7		43 - 12	91317-06090	13 - 10
90149-05X05	18 - 5	90201-10X21	34 - 6	90387-065J6	20 - 30		7 - 26	90480-18276	7 - 28	91317-06095	8 - 22
90150-05024	36 - 8	90201-124G9	22 - 23		21 - 2		7 - 27		9 - 36	91317-08025	15 - 9
90154-06061	20 - 31		22 - 27	90387-06648	7 - 34	90450-59001	9 - 20	90501-04X01	8 - 34	9131L-06035	9 - 35
	21 - 4	90201-12541	6 - 10	90387-068L3	40 - 7	90450-72003	9 - 2	90501-06X00	18 - 2	9131M-05020	43 - 4
90157-05079	34 - 28	90201-12X05	18 - 19	90387-068P7	9 - 33	90462-07X00	13 - 11	90501-15001	34 - 29	9131M-06020	38 - 9
	34 - 39	90201-12X06	18 - 16	90387-06M31	38 - 22	90462-16X00	14 - 15		34 - 40		38 - 20
90164-05014	39 - 3	90201-16013	3 - 8	90387-06X01	27 - 17	90464-08126	7 - 46	90501-26X00	16 - 12	91380-06016	11 - 3
90167-04X00	12 - 44	90201-16021	22 - 10		38 - 11	90464-10X03	20 - 41	90506-25X01	34 - 5	91380-08020	12 - 17
90170-06128	4 - 12	90201-17X01	18 - 18	90387-06X02	7 - 19	90464-16005	26 - 43	90508-16X00	16 - 23	91380-08030	12 - 50
90170-18003	3 - 23	90201-208G4	17 - 23		7 - 24	90464-25004	42 - 20	90508-28777	34 - 12	91401-20012	35 - 24
90170-20274	16 - 5	90201-220T0	24 - 8		12 - 41		43 - 33		34 - 19	91401-25020	34 - 14
90170-20327	16 - 20	90201-30X00	3 - 15		36 - 3	90464-32X00	43 - 31	90560-17306	31 - 2		34 - 21
90176-22081	24 - 7	90201-30X01	15 - 3	90387-06X09	36 - 16	90464-90X00	20 - 37	91317-05008	8 - 9	91808-16X00	13 - 3
90179-05523	36 - 7	90202-08X01	26 - 45	90387-06X36	12 - 37		43 - 32	91317-05010	26 - 11		14 - 30

NUMERICAL INDEX

PART NO.	REF. NO.	PART NO.	REF. NO.	PART NO.	REF. NO.	PART NO.	REF. NO.	PART NO.	REF. NO.	PART NO.	REF. NO.
91808-16X00	14 - 33	93210-22X00	17 - 27	93603-16219	6 - 13	9571L-06300	44 - 7	99530-14016	13 - 18		
91810-14X00	8 - 37	93210-29X00	44 - 2	93612-16X00	1 - 11	95807-06008	21 - 16				
92014-08025	35 - 26	93210-33X00	6 - 18	94109-21800	28 - 7	95807-06010	20 - 40				
92017-05025	44 - 28	93210-35X00	14 - 13	94109-21801	28 - 7	95807-06016	21 - 15				
92017-06014	27 - 12	93210-41X00	7 - 4	94113-17800	31 - 15		21 - 17				
92017-06020	27 - 7	93210-61750	6 - 4	94113-17801	31 - 15	95807-06040	43 - 13				
	41 - 9	93210-64X01	8 - 19	94418-21X00	28 - 5	95812-06030	25 - 51				
92017-06030	37 - 3	93210-78X00	1 - 17	94427-17X00	31 - 14	95817-06035	15 - 22				
92017-06035	8 - 4	93210-92X01	26 - 6	9456X-08110	31 - 19		40 - 8				
92017-10045	35 - 5	93210-96X00	1 - 13	94591-57126	5 - 9	95817-06040	34 - 32				
9201L-06014	41 - 21	93211-04X00	26 - 7	94701-00X09	1 - 10		34 - 43				
9201L-06025	41 - 10	93306-00106	6 - 5	95024-06012	33 - 19	95817-06050	36 - 17				
92507-06012	9 - 18	93306-00304	16 - 9	95024-06025	21 - 5	95817-08014	12 - 48				
92902-04100	33 - 14	93306-004XL	17 - 12	95027-06008	44 - 15	95817-08030	27 - 21				
92902-04600	33 - 15	93306-004XM	17 - 31	95027-06012	5 - 7	95817-08040	26 - 29				
92907-04200	41 - 24	93306-07209	5 - 2		22 - 32	95817-08045	39 - 6				
92907-05600	42 - 16	93306-20348	31 - 2	95027-06014	26 - 17	95817-10035	20 - 33				
92907-06600	9 - 19	93306-203XN	28 - 3		26 - 19	95817-10070	20 - 7				
9290L-04600	12 - 27	93306-205XA	17 - 11	95027-06020	1 - 14	9581M-06012	20 - 27				
	12 - 33	93306-30437	31 - 6		7 - 3		44 - 26				
9290L-05200	41 - 18	93306-305X4	17 - 25	95027-06025	6 - 7	9581M-06014	44 - 30				
9290M-05600	43 - 5	93306-305YH	3 - 20		14 - 31	9581M-06016	41 - 27				
9290M-06200	40 - 9	93306-305YJ	3 - 19	95602-06200	27 - 18	9581M-08012	20 - 4				
93101-12173	6 - 8	93306-308Y0	3 - 10	95604-06200	34 - 34	95827-08040	20 - 21				
93101-14164	14 - 24	93310-530C7	15 - 2		34 - 45	97017-06025	36 - 2				
93101-25106	3 - 21	93310-84010	3 - 5	95604-16200	22 - 9	97707-40010	27 - 25				
93102-12106	18 - 14	93315-11206	18 - 13		31 - 27	97707-40012	41 - 2				
93102-15212	16 - 28	93315-22251	22 - 2	95607-05200	44 - 29	97707-40014	27 - 27				
93102-35368	17 - 28	93315-31502	16 - 29	95607-06200	43 - 8	97707-40020	41 - 22				
93106-22019	22 - 4	93315-31758	22 - 18	95607-08200	34 - 24	97707-40025	44 - 20				
93106-23002	28 - 4	93317-11096	16 - 27		39 - 7	9770L-30110	41 - 14				
	31 - 4	93317-21746	22 - 11	95607-10200	20 - 8	9770M-50030	9 - 8				
93106-30029	31 - 8		22 - 16		20 - 12	98502-04012	33 - 13				
93108-35004	22 - 6	93317-31771	22 - 17		20 - 15	98507-05020	42 - 18				
93109-17071	22 - 12	93332-00001	24 - 2		20 - 34	98507-05030	42 - 12				
	22 - 19	93332-00008	24 - 1		23 - 5	98507-05045	42 - 13				
93210-07X01	8 - 20	93410-10X00	16 - 31		24 - 14		42 - 17				
	13 - 4	93410-11X00	8 - 6		31 - 11	98507-05055	42 - 15				
93210-10X00	8 - 36	93410-17X00	18 - 17	95607-12200	23 - 3	98507-06012	10 - 4				
93210-11X00	8 - 16	93410-20825	17 - 24	95617-06100	33 - 8	98580-04016	25 - 48				
93210-13X00	8 - 3	93440-11024	15 - 13	95617-08618	1 - 3	98707-03020	42 - 10				
	14 - 8	93440-25084	17 - 4	95617-12100	22 - 25	99001-07600	16 - 26				
93210-14X00	14 - 11		17 - 20	9561M-10100	34 - 7	99001-10600	18 - 15				
93210-15414	35 - 4	93440-28062	17 - 16	95707-08500	31 - 24	99009-12400	6 - 15				
93210-15620	35 - 9	93450-24824	3 - 14	9570L-04300	41 - 25	99530-12016	13 - 2				
93210-15X00	8 - 41	93501-04011	34 - 30	9570L-05300	41 - 17		14 - 3				
93210-19123	20 - 23		34 - 41	9570L-06500	43 - 2		14 - 9				
93210-21X00	6 - 20	93503-08007	8 - 33	9571L-06300	41 - 29		14 - 21				