



PARTS CATALOGUE

YZFR1E (2SG7) U49

YZFR1EC (2SG8) CALIFORNIA

YZFR1E/YZFR1EC
PARTS CATALOGUE
©2013 by Yamaha Motor Co., Ltd.
1st edition, August 2013
All rights reserved.
Any reprinting or unauthorized use
without the written permission of
Yamaha Motor Co., Ltd.
is expressly prohibited.
Printed in Japan.

FOREWORD

This Parts Catalogue is related to the parts for the model(s) on the cover page. When you are ordering replacement parts, please refer to this Parts Catalogue and quote both part numbers and part names correctly.

1. Modifications or additions which have been made after the issue of the Parts Catalogue will be announced in the Parts News.

It is advisable that you make the necessary corrections to the Parts Catalogue according to the Parts News.

2. Abbreviations

The following abbreviations are used in this Parts Catalogue.

“UR” Use specified parts number.

“UN” Use as many as needed.

“AP” Alternate Parts

“LM” Locally Made (Parts need to be ordered locally)

“F#” Frame No. (Applicable machine No.)

“O/S” Over Size

3. The number of components for assembly

- Parts, which are to be supplied in an assembly, are listed with a dot (.) in front of the part name as shown below.
- The numeral appearing to the right of each component part indicates the quantity of parts for each assembly unit.

PART NO.	DESCRIPTION	Q'TY	REMARKS
2F5-83310-60	FRONT FLASHER LIGHT ASSY	2	
115-83311-60	.BULB (6V-18W)	1	

4. Applicable colours of graphics are represented in the “REMARKS” as shown below.

PART NO.	DESCRIPTION	Q'TY	REMARKS
2N4-24110-00-X5	FUEL TANK COMP.	2	MXR
3J1-24240-10	.GRAPHIC, FUEL TANK	1	FOR MXR

5. Note that the illustrations for reference in finding parts numbers are not to be used for assembling. When assembling, please use the applicable service manual.

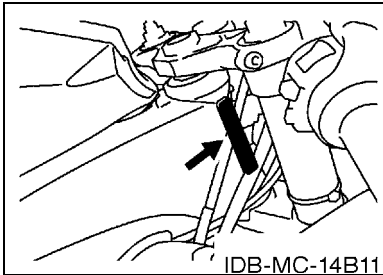
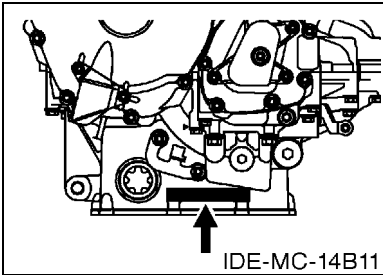
6. The asterisk (*) before a reference number indicates modified items after the first edition.

FOREWORD

7. Applicable Serial No.

Engine Serial No.

Frame Serial No.



8. Applicable Colour Code (The (*) mark shows Model colour.)

Abbreviation	Colour Name	Colour Code
BWC1	BLUISH WHITE COCKTAIL 1	0390
DPBMC(*)	DEEP PURPLISH BLUE METALLIC C	0564
LGB	LOW GLOSS BLACK	0098
LN YM9	LIGHT GRAYISH YELLOW ME 9	1367
MBL2	MAT BLACK 2	0582
MNM3(*)	MAT GRAY METALLIC 3	1278
SMX	BLACK METALLIC X	0903
VRC1(*)	VIVID RED COCKTAIL 1	0121

CONTENTS

ENGINE

CYLINDER HEAD	1
CYLINDER	3
CRANKSHAFT & PISTON	4
VALVE	5
CAMSHAFT & CHAIN	7
WATER PUMP	8
RADIATOR & HOSE	10
OIL PUMP	13
OIL CLEANER	14
INTAKE	15
INTAKE 2	17
AIR INDUCTION SYSTEM	19
EXHAUST	20
CRANKCASE	23
CRANKCASE COVER 1	25
STARTER	27
CLUTCH	28
TRANSMISSION	30
SHIFT CAM & FORK	32
SHIFT SHAFT	33

CHASSIS

FRAME	35
FENDER	38
SIDE COVER	40
REAR ARM	41
REAR SUSPENSION	43
STEERING	44
FRONT FORK	46
FUEL TANK	48
SEAT	52
FRONT WHEEL	53
FRONT BRAKE CALIPER	54
REAR WHEEL	55
REAR BRAKE CALIPER	57
STEERING HANDLE & CABLE	58
FRONT MASTER CYLINDER	59
STAND & FOOTREST	61
REAR MASTER CYLINDER	64
COWLING 1	66
COWLING 2	70

GENERATOR	73
STARTING MOTOR	74
FLASHER LIGHT	75
METER	76
HEADLIGHT	77
TAILLIGHT	78
HANDLE SWITCH & LEVER	79
ELECTRICAL 1	80
ELECTRICAL 2	82

INDEX

NUMERICAL INDEX	85
-----------------------	----



14B1300-H010

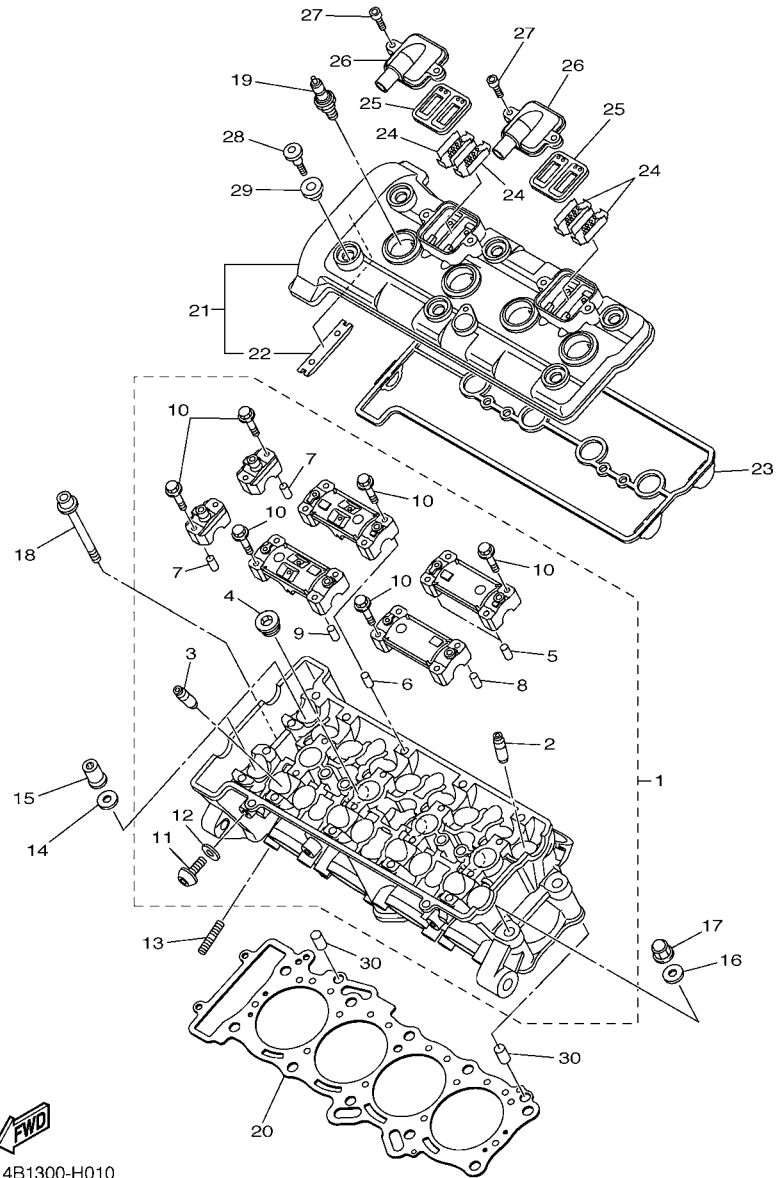
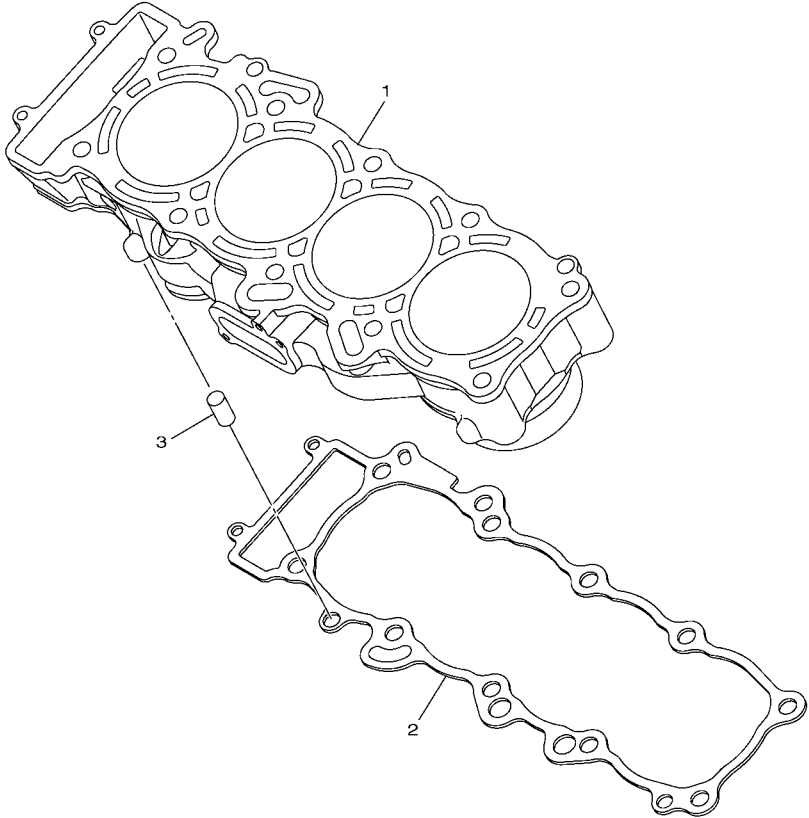


FIG. 1 CYLINDER HEAD

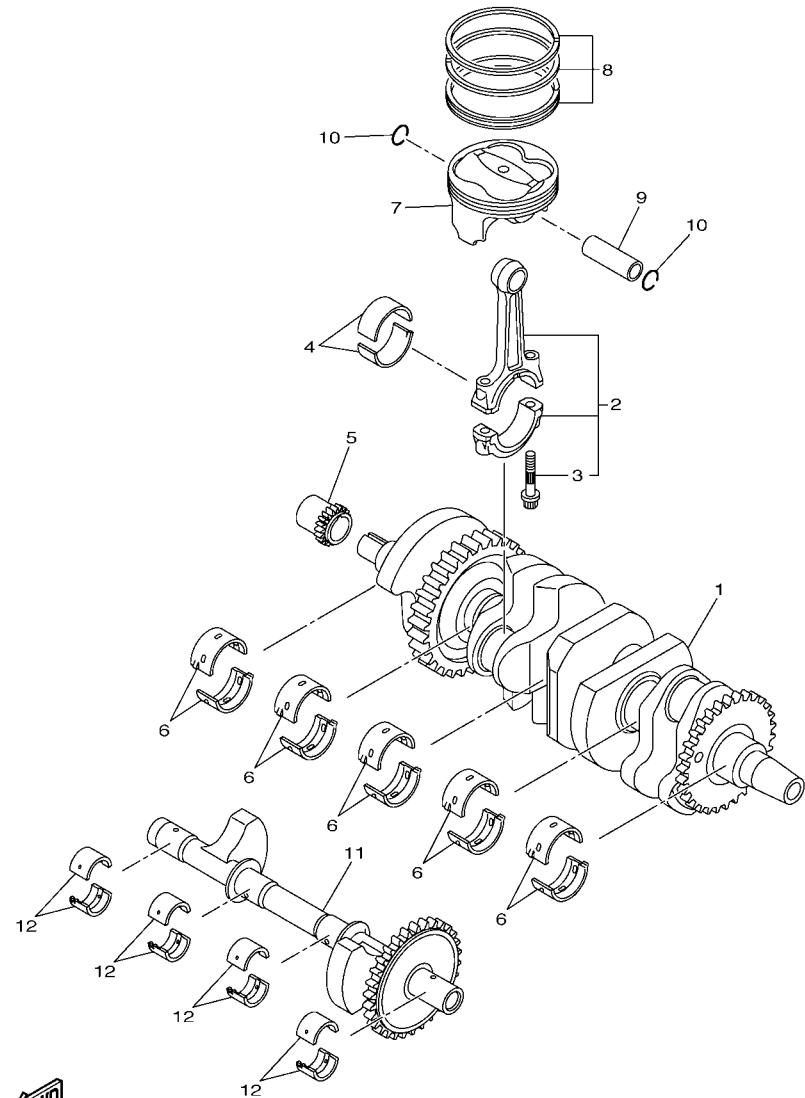
REF. NO.	PART NO.	DESCRIPTION	2SG7	2SG8			REMARKS
1	14B-11101-19	CYLINDER HEAD ASSY	1	1			
2	14B-11133-10	.GUIDE, VALVE 1	8	8			
3	4C8-11134-10	.GUIDE, VALVE 2	8	8			
4	90340-18002	.PLUG, STRAIGHT SCREW	3	3			
5	91808-16023	.PIN, DOWEL	2	2			
6	91808-16023	.PIN, DOWEL	2	2			
7	91808-16023	.PIN, DOWEL	4	4			
8	91808-16023	.PIN, DOWEL	2	2			
9	91808-16023	.PIN, DOWEL	2	2			
10	90105-06027	.BOLT, FLANGE	20	20			
11	90149-06156	.SCREW	1	1			
12	90430-06014	.GASKET	1	1			
13	95612-08625	BOLT, STUD	8	8			
14	90201-10035	WASHER, PLATE	8	8			
15	90179-10029	NUT	8	8			
16	90201-10035	WASHER, PLATE	2	2			
17	90176-10075	NUT, CROWN	2	2			
18	90110-06315	BOLT, HEXAGON SOCKET HEAD	2	2			
19	94701-00424	PLUG, SPARK (NGK LMAR9E-J)	4	4			
20	14B-11181-00	GASKET, CYLINDER HEAD 1	1	1			
21	14B-11191-00	COVER, CYLINDER HEAD 1	1	1			
22	5BE-12241-00	.GUIDE, STOPPER 2	1	1			
23	14B-11193-00	GASKET, HEAD COVER 1	1	1			
24	5VY-1482K-00	PLATE	4	4			
25	5SL-14890-10	REED VALVE ASSY	2	2			
26	14B-14899-01	CAP, CASE	2	2			
27	90110-06175	BOLT, HEXAGON SOCKET HEAD	4	4			

FIG. 2 CYLINDER



REF. NO.	PART NO.	DESCRIPTION	2SG7	2SG8				REMARKS
1	14B-11311-00	CYLINDER 1	1	1				
2	14B-11351-00	GASKET, CYLINDER	1	1				
3	99530-10114	PIN, DOWEL	2	2				

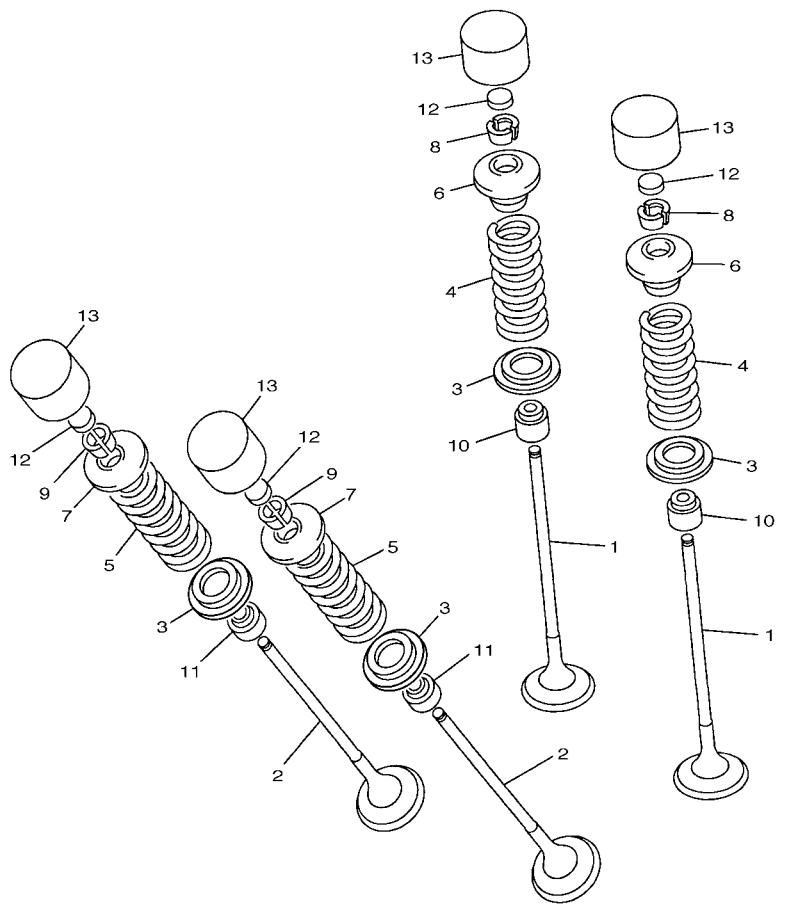

14B1300-H020



14B1300-H030

FIG. 3 CRANKSHAFT & PISTON

REF. NO.	PART NO.	DESCRIPTION	2SG7	2SG8		REMARKS
1	14B-11400-00	CRANKSHAFT ASSY	1	1		
2	14B-11650-00	CONNECTING ROD ASSY	4	4		
3	5VY-11654-01	.BOLT, CONNECTING ROD	2	2		
4	14B-11656-00	PLANE BEARING, CONNECTING ROD	8	8		UR PINK-BLUE
	14B-11656-10	PLANE BEARING, CONNECTING ROD	8	8		UR PINK-BLACK
	14B-11656-20	PLANE BEARING, CONNECTING ROD	8	8		UR PINK-BROWN
	14B-11656-30	PLANE BEARING, CONNECTING ROD	8	8		UR PINK-GREEN
5	14B-11549-00	SPROCKET, CAM CHAIN	1	1		
6	14B-11416-00	PLANE BEARING, CRANKSHAFT 1	10	10		UR BLUE
	14B-11416-10	PLANE BEARING, CRANKSHAFT 1	10	10		UR BLACK
	14B-11416-20	PLANE BEARING, CRANKSHAFT 1	10	10		UR BROWN
	14B-11416-30	PLANE BEARING, CRANKSHAFT 1	10	10		UR GREEN
	14B-11416-40	PLANE BEARING, CRANKSHAFT 1	10	10		UR YELLOW
7	14B-11631-00	PISTON (STD)	4	4		
8	14B-11603-00	PISTON RING SET (STD)	4	4		
9	4C8-11633-00	PIN, PISTON	4	4		
10	93450-18157	CIRCLIP	8	8		
11	14B-11500-00	BALANCER ASSY	1	1		
12	14B-11413-00	PLANE BEARING, BALANCE WEIGHT	8	8		UR BLUE
	14B-11413-10	PLANE BEARING, BALANCE WEIGHT	8	8		UR BLACK
	14B-11413-20	PLANE BEARING, BALANCE WEIGHT	8	8		UR BROWN
	14B-11413-30	PLANE BEARING, BALANCE WEIGHT	8	8		UR GREEN
	14B-11413-40	PLANE BEARING, BALANCE WEIGHT	8	8		UR YELLOW
	14B-11413-50	PLANE BEARING, BALANCE WEIGHT	8	8		UR PINK
	14B-11413-A0	PLANE BEARING, BALANCE WEIGHT	8	8		UR WHITE



1KB8300-L040

FIG. 4 VALVE

REF. NO.	PART NO.	DESCRIPTION	2SG7	2SG8			REMARKS
1	14B-12111-00	VALVE, INTAKE	8	8			
2	14B-12121-00	VALVE, EXHAUST	8	8			
3	4C8-12116-00	SEAT, VALVE SPRING	16	16			
4	14B-12113-00	SPRING, VALVE INNER	8	8			
5	14B-12114-00	SPRING, VALVE OUTER	8	8			
6	4C8-12117-00	RETAINER, VALVE SPRING	8	8			
7	4C8-12127-00	RETAINER, VALVE SPRING	8	8			
8	1AA-12118-00	LOCK, VALVE SPRING RETAINER	16	16			
9	1WG-12118-00	LOCK, VALVE SPRING RETAINER	16	16			
10	3P6-12129-00	SEAL, VALVE STEM	8	8			
11	4TE-12119-00	SEAL, VALVE STEM	8	8			
12	3LD-12168-K1	PAD, ADJUSTING (1.60)	16	16			UR
	3LD-12168-M1	PAD, ADJUSTING (1.65)	16	16			UR
	3LD-12168-R1	PAD, ADJUSTING (1.70)	16	16			UR
	3LD-12168-U1	PAD, ADJUSTING (1.75)	16	16			UR
	3LD-12168-W1	PAD, ADJUSTING (1.80)	16	16			UR
	3LD-12168-Y1	PAD, ADJUSTING (1.85)	16	16			UR
	3LD-12169-11	PAD, ADJUSTING (1.90)	16	16			UR
	3LD-12169-31	PAD, ADJUSTING (1.95)	16	16			UR
	3LD-12169-50	PAD, ADJUSTING (2.00)	16	16			UR
	3LD-12169-70	PAD, ADJUSTING (2.05)	16	16			UR
	3LD-12169-90	PAD, ADJUSTING (2.10)	16	16			UR
	3LD-12169-E0	PAD, ADJUSTING (2.15)	16	16			UR
	3LD-12169-G0	PAD, ADJUSTING (2.20)	16	16			UR
	3LD-12169-J0	PAD, ADJUSTING (2.25)	16	16			UR
	3LD-12169-L0	PAD, ADJUSTING (2.30)	16	16			UR
	3LD-12169-N0	PAD, ADJUSTING (2.35)	16	16			UR

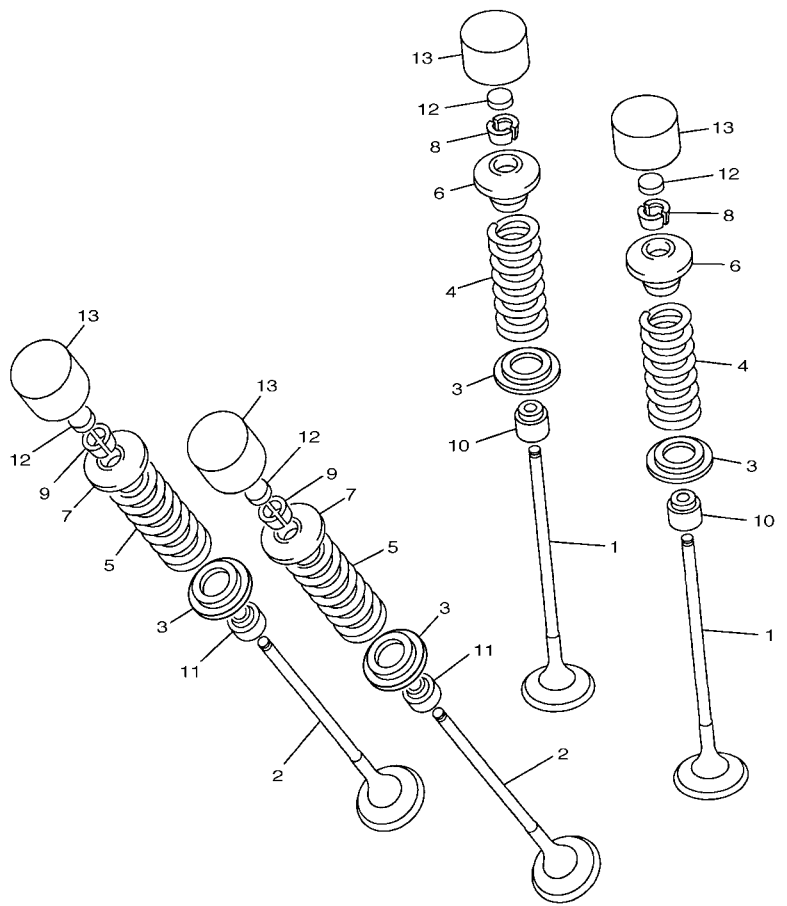
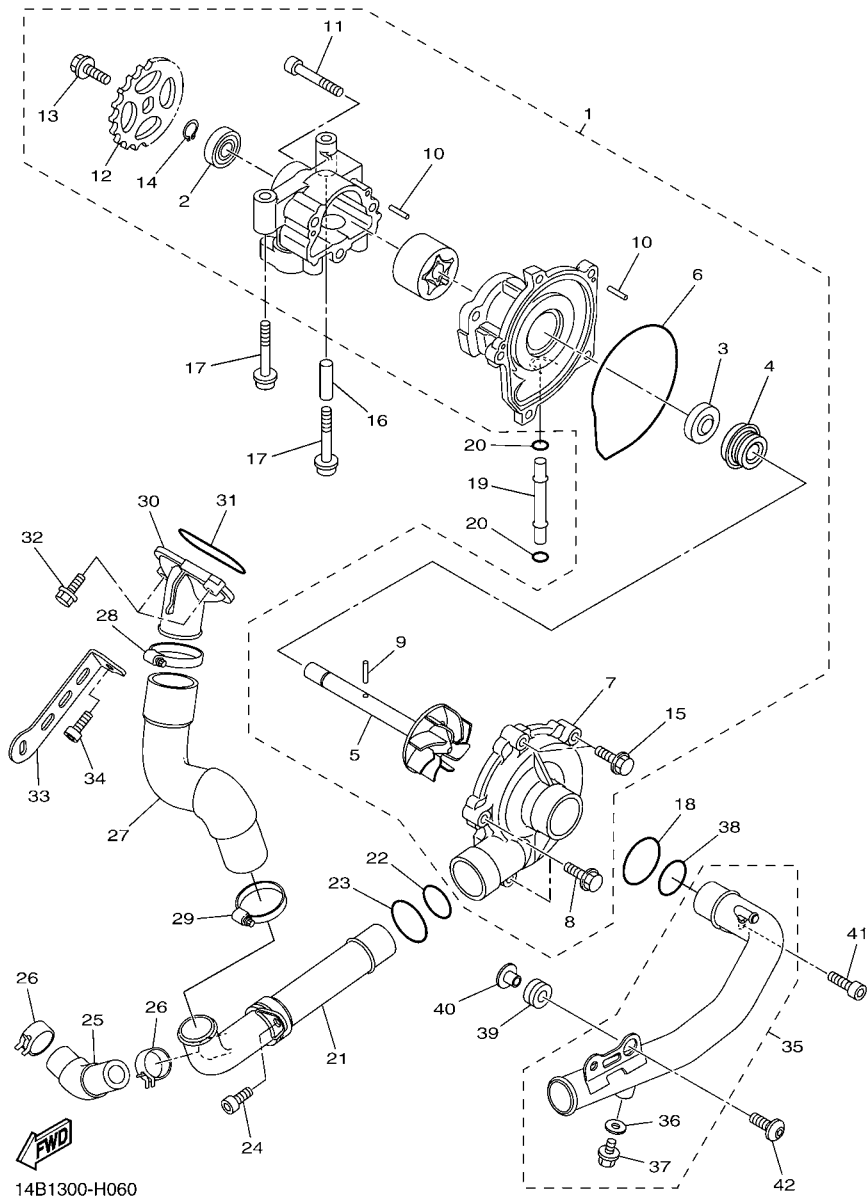


FIG. 4 VALVE

REF. NO.	PART NO.	DESCRIPTION	2SG7	2SG8		REMARKS
12	3LD-12169-T0	PAD, ADJUSTING (2.40)	16	16		UR
13	4C8-12153-10	LIFTER, VALVE	16	16		YELLOW
	4C8-12153-09	LIFTER, VALVE (O/S)	16	16		AP GREEN

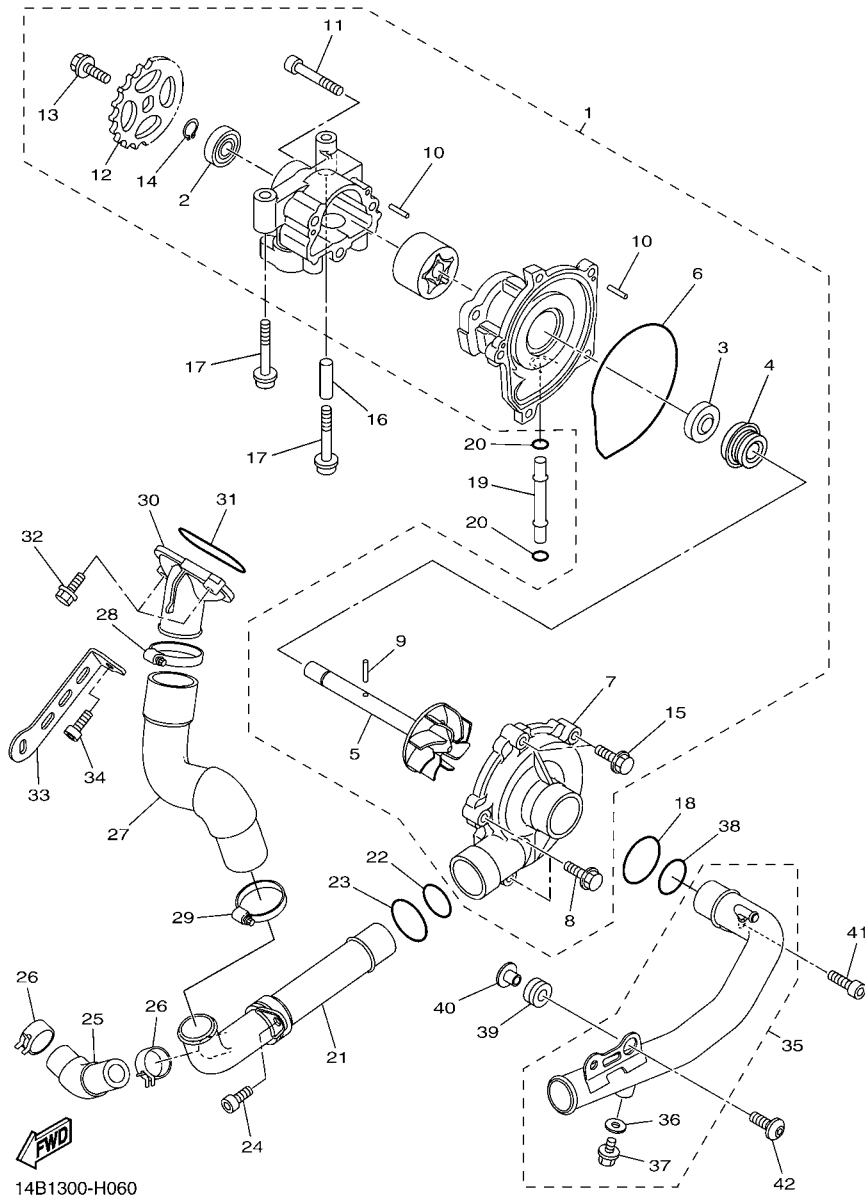

1KB8300-L040



14B1300-H060

FIG. 6 WATER PUMP

REF. NO.	PART NO.	DESCRIPTION	2SG7	2SG8	REMARKS
1	14B-12420-01	WATER PUMP ASSY	1	1	
2	93306-00106	.BEARING	1	1	
3	14B-13338-00	.SEAL	1	1	
4	5VK-12438-00	.SEAL, MECHANICAL	1	1	
5	14B-12450-00	.IMPELLER SHAFT ASSY	1	1	
6	4XV-12439-00	.O-RING	1	1	
7	14B-12422-00	.COVER, HOUSING	1	1	
8	95022-06025	.BOLT, FLANGE	3	3	
9	93603-17070	.PIN, DOWEL	1	1	
10	93603-12007	.PIN, DOWEL	4	4	
11	91312-06045	.BOLT	3	3	
12	14B-13355-00	.SPROCKET, DRIVEN	1	1	
13	90105-06066	.BOLT, FLANGE	1	1	
14	99009-12400	.CIRCLIP	1	1	
15	95022-06020	.BOLT, FLANGE	2	2	
16	91808-30031	PIN, DOWEL	1	1	
17	90110-06167	BOLT, HEXAGON SOCKET HEAD	2	2	
18	93210-357A2	O-RING	1	1	
19	4XV-12485-00	PIPE 5	1	1	
20	93210-06667	O-RING	2	2	
21	14B-12481-00	PIPE 1	1	1	
22	93210-235A1	O-RING	1	1	
23	93210-27370	O-RING	1	1	
24	90110-06182	BOLT, HEXAGON SOCKET HEAD	1	1	
25	14B-12588-00	HOSE 5	1	1	
26	90467-200A0	CLIP	2	2	
27	14B-12576-00	HOSE 1	1	1	



14B1300-H060

FIG. 6 WATER PUMP

REF. NO.	PART NO.	DESCRIPTION	2SG7	2SG8	REMARKS
28	90450-38040	HOSE CLAMP ASSY	1	1	
29	90450-35001	HOSE CLAMP ASSY	1	1	
30	14B-12469-10	JOINT 1	1	1	
31	93210-46044	O-RING	1	1	
32	95024-06025	BOLT, FLG.(SMALL HEAD)	2	2	
33	14B-12637-00	STAY 1	1	1	
34	91314-06012	BOLT, HEXAGON SOCKET HEAD	1	1	
35	14B-12484-00	PIPE 4	1	1	
36	90430-06014	.GASKET	1	1	
37	90153-06002	.SCREW, HEXAGON	1	1	
38	93210-235A1	O-RING	1	1	
39	90480-12010	GROMMET	1	1	
40	90387-06112	COLLAR	1	1	
41	90110-06182	BOLT, HEXAGON SOCKET HEAD	1	1	
42	90149-06022	SCREW	1	1	

FIG. 7 RADIATOR & HOSE

REF. NO.	PART NO.	DESCRIPTION	2SG7	2SG8	REMARKS
1	14B-12485-00	PIPE 5	1	1	
2	90110-06182	BOLT, HEXAGON SOCKET HEAD	1	1	
3	93210-235A1	O-RING	1	1	
4	14B-12410-00	THERMOSTAT ASSY	1	1	
5	5LP-12411-00	.THERMOSTAT	1	1	
6	93210-49046	.O-RING	1	1	
7	90176-06014	.NUT, CROWN	2	2	
8	4C8-12579-00	HOSE 4	1	1	
9	90450-35001	HOSE CLAMP ASSY	1	1	
10	5GV-1246E-00	COVER 2	1	1	
11	90450-38040	HOSE CLAMP ASSY	1	1	
12	14B-12579-00	HOSE 4	1	1	
13	90450-38040	HOSE CLAMP ASSY	2	2	
14	14B-12482-00	PIPE 2	1	1	
15	90110-06256	BOLT, HEXAGON SOCKET HEAD	2	2	
16	14B-12578-00	HOSE 3	1	1	
17	90450-35001	HOSE CLAMP ASSY	2	2	
18	14B-12461-00	RADIATOR COMP	1	1	
19	1KB-12405-00	BLOWER ASSY	1	1	
20	1KB-12405-10	BLOWER ASSY	1	1	
21	5GJ-12675-00	BOLT, BLOWER HOLDING	6	6	
22	90480-15363	GROMMET	3	3	
23	90387-0614M	COLLAR	2	2	
24	14B-12465-00	DAMPER, RADIATOR	1	1	
25	13S-12688-00	DAMPER, SHROUD 7	1	1	
26	5SL-12671-00	NUT 1	1	1	
27	14B-12551-00	HOSE 7	1	1	

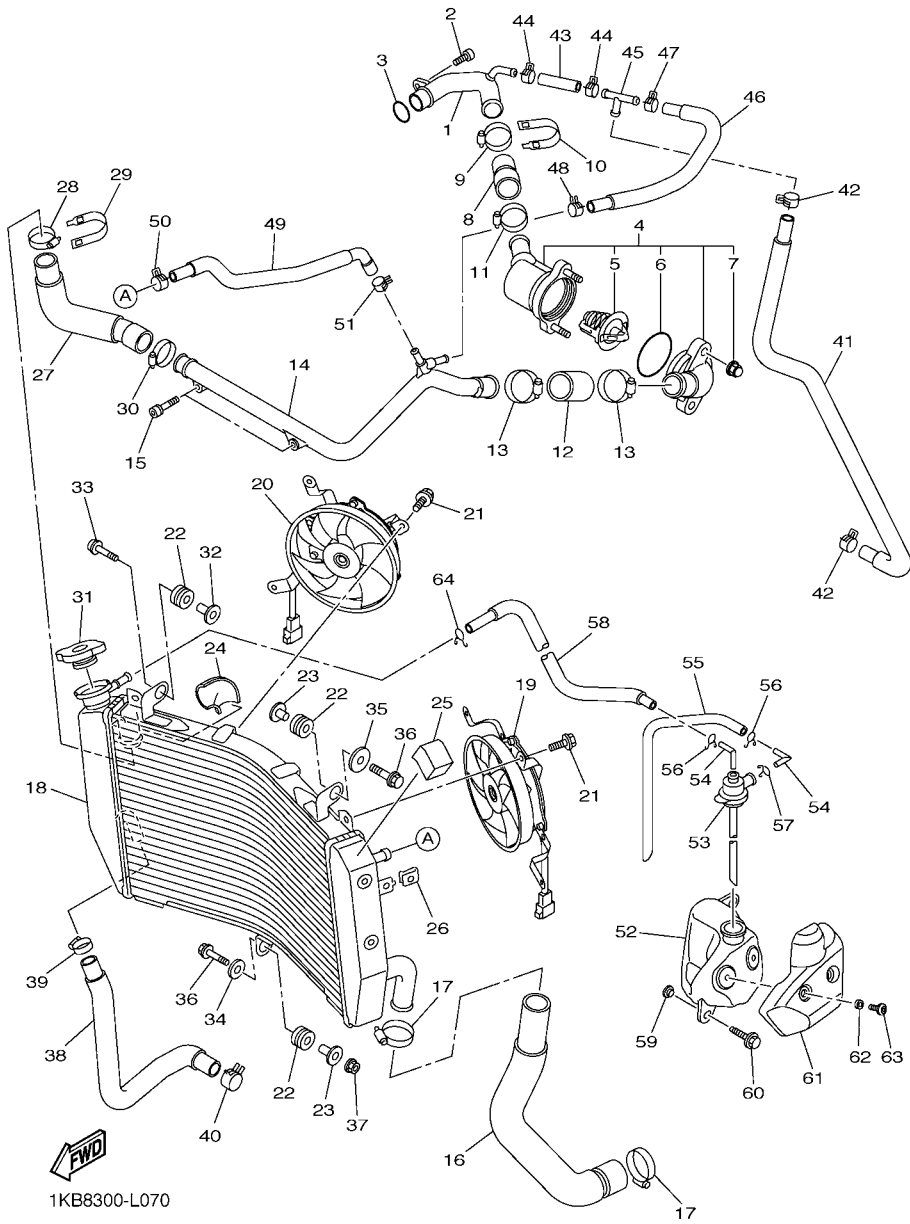
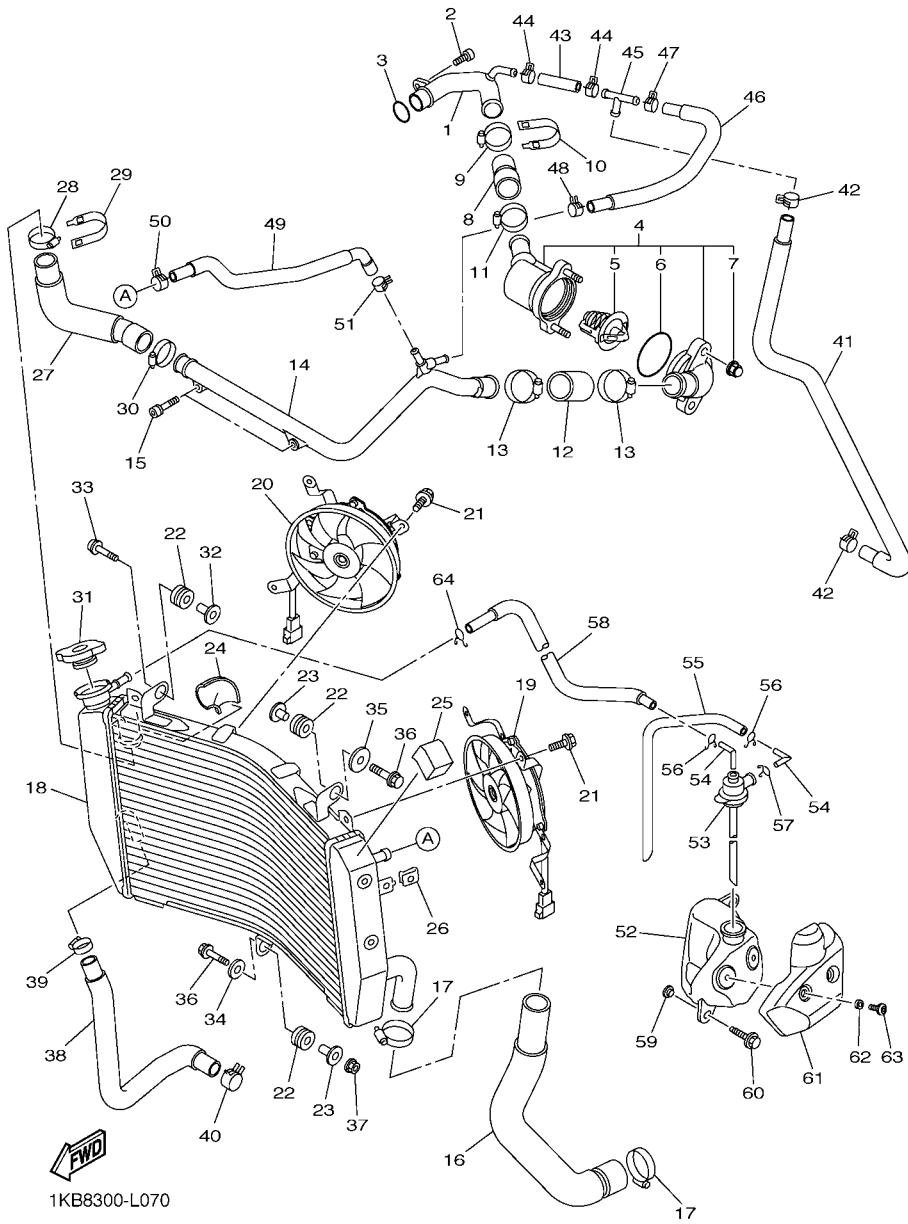


FIG. 7 RADIATOR & HOSE

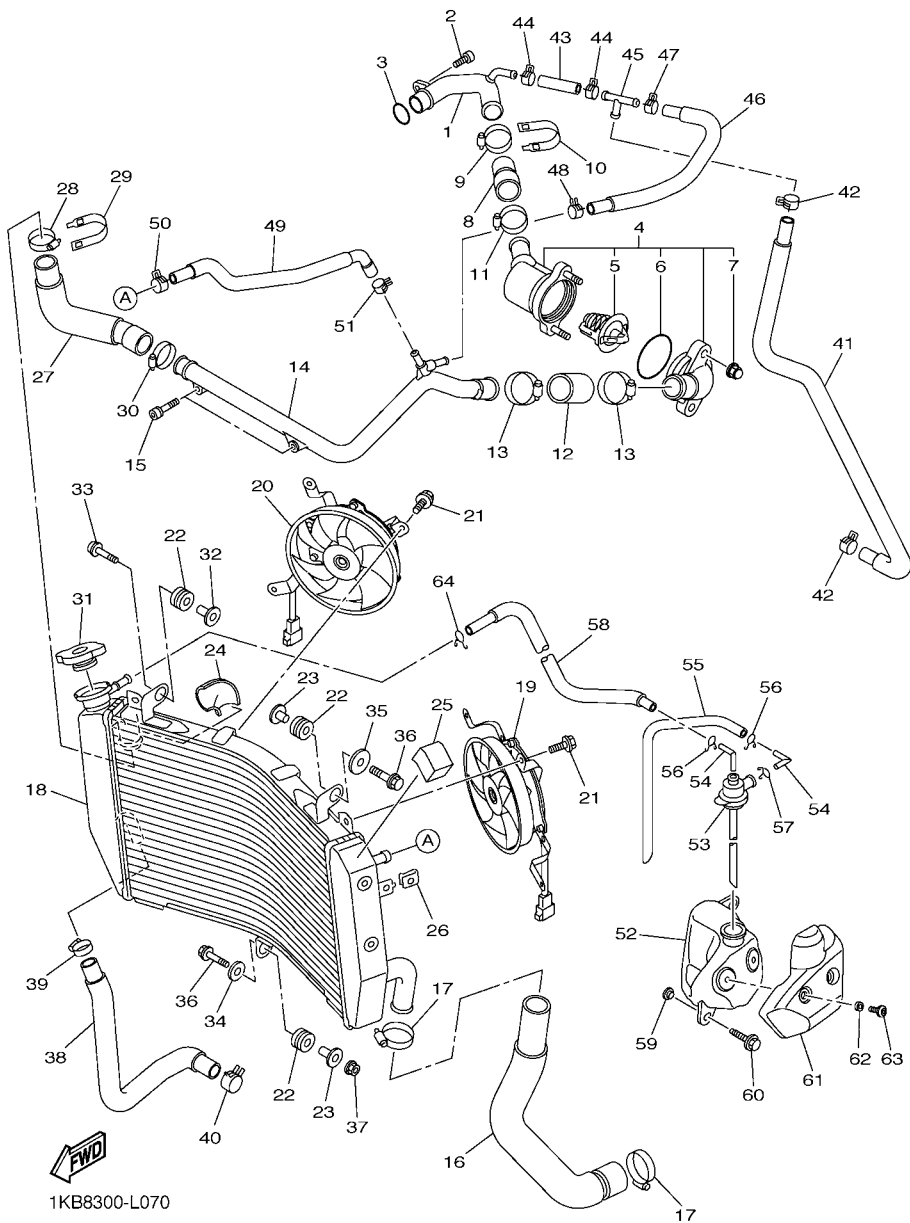
REF. NO.	PART NO.	DESCRIPTION	2SG7	2SG8	REMARKS
28	90450-35001	HOSE CLAMP ASSY	1	1	
29	5GV-1246E-00	COVER 2	1	1	
30	90450-38040	HOSE CLAMP ASSY	1	1	
31	5SL-12462-00	CAP, RADIATOR	1	1	
32	90387-0614M	COLLAR	1	1	
33	91317-06030	BOLT	1	1	
34	90201-06071	WASHER, PLATE	1	1	
35	90201-06074	WASHER, PLATE	1	1	
36	95827-06030	BOLT, FLANGE	2	2	
37	95607-06200	NUT, SELF U-FLANGE	1	1	
38	14B-12589-00	HOSE 6	1	1	
39	90450-22017	HOSE CLAMP ASSY	1	1	
40	90467-200A0	CLIP	1	1	
41	14B-1243A-00	HOSE 1	1	1	
42	90467-11090	CLIP	2	2	
43	14B-1243E-00	HOSE 2	1	1	
44	90467-11090	CLIP	2	2	
45	90413-07023	WAY 3	1	1	
46	14B-1244G-00	HOSE, 4	1	1	
47	90467-11090	CLIP	1	1	
48	90467-11044	CLIP	1	1	
49	14B-12552-00	HOSE 8	1	1	
50	90467-11090	CLIP	1	1	
51	90467-11044	CLIP	1	1	
52	14B-21871-00	TANK, RECOVERY	1	1	
53	14B-21875-00	CAP	1	1	
54	26H-21828-00	ELBOW	2	2	

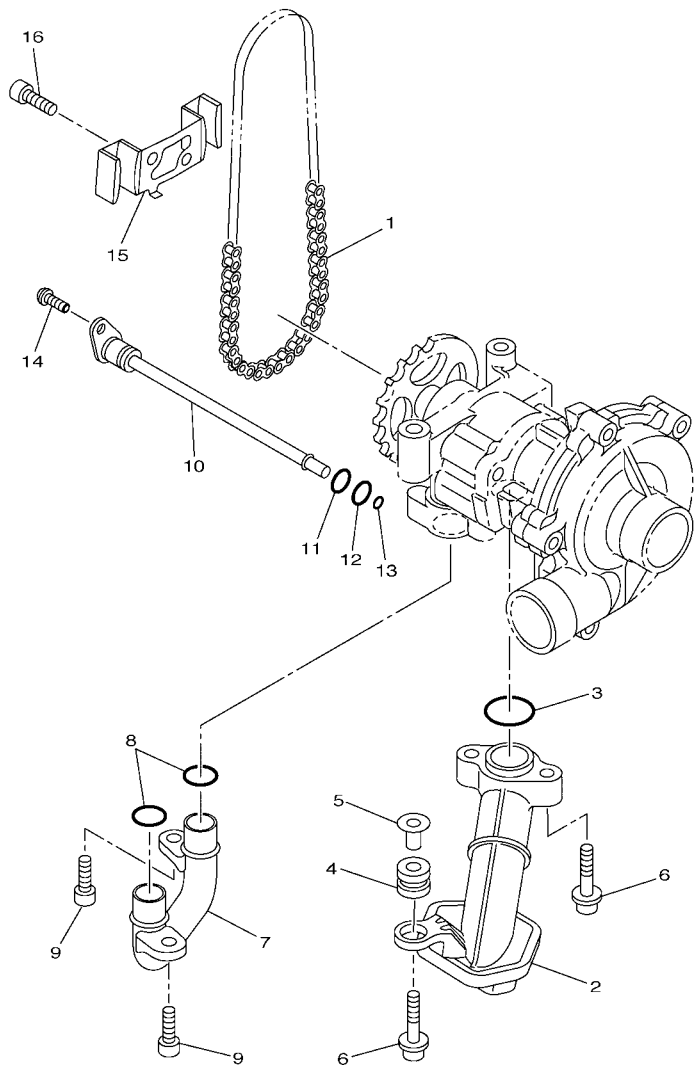


1KB8300-L070

FIG. 7 RADIATOR & HOSE

REF. NO.	PART NO.	DESCRIPTION			REMARKS
			2SG7	2SG8	
55	90445-08036	HOSE	1	1	
56	90467-08003	CLIP	2	2	
57	90467-10M04	CLIP	1	1	
58	14B-1243F-00	HOSE,3	1	1	
59	90387-06681	COLLAR	2	2	
60	90119-06177	BOLT, WITH WASHER	2	2	
61	14B-2172W-00	COVER	1	1	
62	90387-06372	COLLAR	2	2	
63	90111-06119	BOLT,HEX. SOCKET BUTTON	2	2	
64	90467-08075	CLIP	1	1	

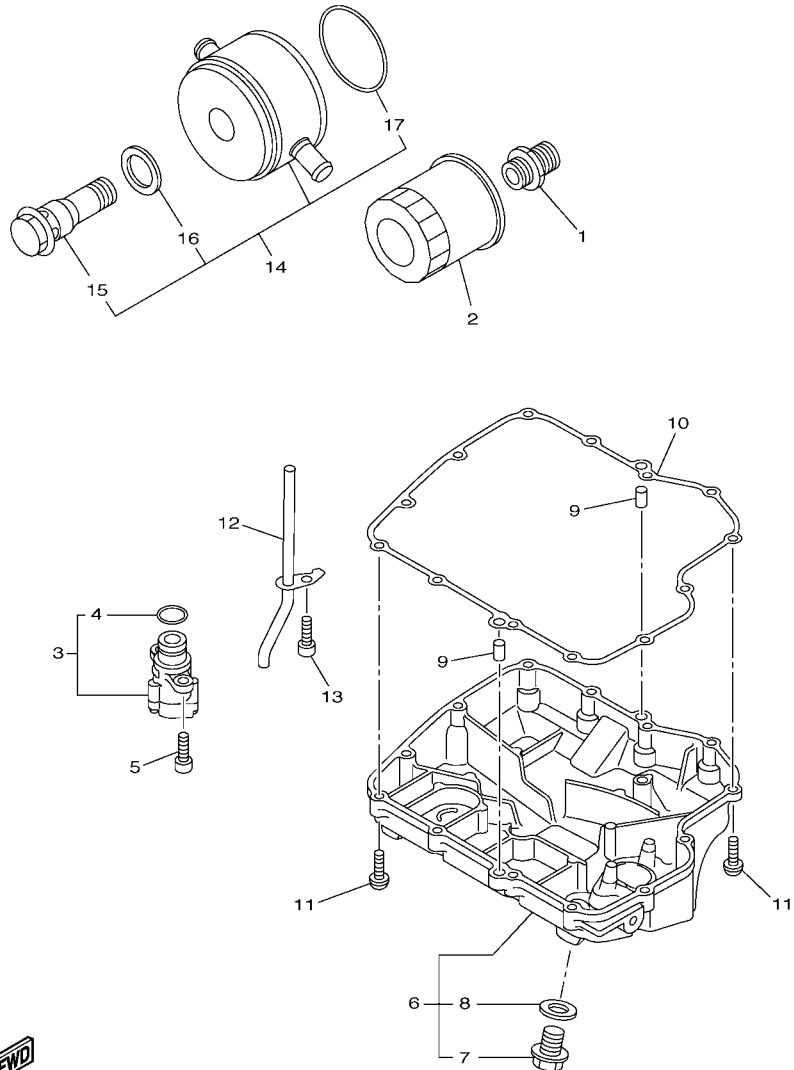




14B1300-H080

FIG. 8 OIL PUMP

REF. NO.	PART NO.	DESCRIPTION	2SG7	2SG8	REMARKS
1	94580-31082	CHAIN (DID25HT 82LE)	1	1	
2	14B-13410-00	STRAINER HOUSING ASSY	1	1	
3	93210-22M93	O-RING	1	1	
4	90480-13010	GROMMET	1	1	
5	5VY-13117-10	COLLAR, DISTANCE	1	1	
6	90110-06173	BOLT, HEXAGON SOCKET HEAD	3	3	
7	14B-13416-00	PIPE, OIL 1	1	1	
8	93210-14003	O-RING	2	2	
9	90110-06182	BOLT, HEXAGON SOCKET HEAD	2	2	
10	14B-1316E-00	PIPE, DELIVERY 5	1	1	
11	93210-12010	O-RING	1	1	
12	93210-09525	O-RING	1	1	
13	93210-06667	O-RING	1	1	
14	90149-06158	SCREW	1	1	
15	14B-13898-00	HOLDER	1	1	
16	90110-06182	BOLT, HEXAGON SOCKET HEAD	2	2	



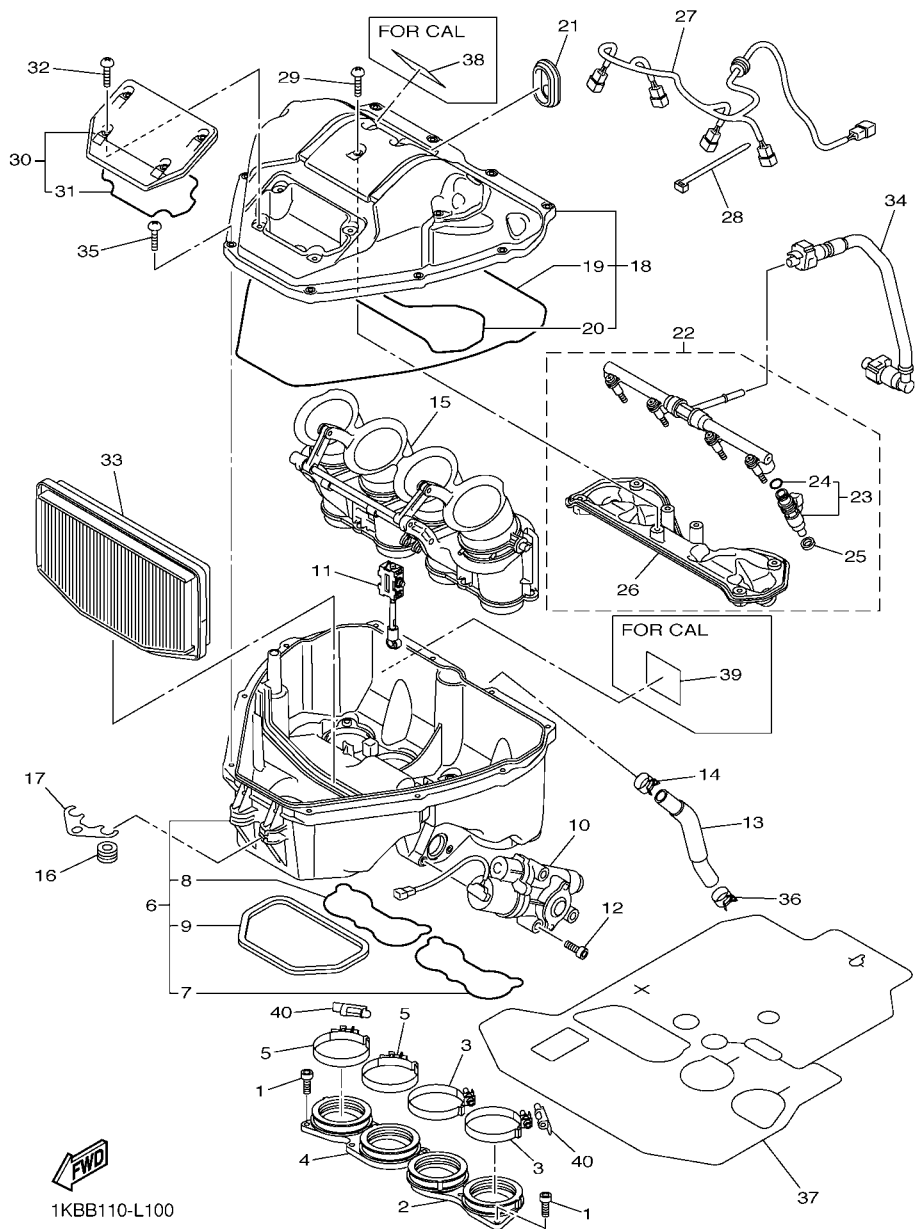
14B1300-H090

FIG. 9 OIL CLEANER

REF. NO.	PART NO.	DESCRIPTION	2SG7	2SG8	REMARKS
1	90401-20008	BOLT, UNION	1	1	
2	5GH-13440-50	ELEMENT ASSY, OIL CLEANER	1	1	
3	14B-13490-00	RELIEF VALVE ASSY	1	1	
4	93210-15566	.O-RING	1	1	
5	90110-06169	BOLT, HEXAGON SOCKET HEAD	2	2	
6	1KB-13400-00	STRAINER COVER ASSY	1	1	
7	90340-14132	.PLUG, STRAIGHT SCREW	1	1	
8	214-11198-01	.GASKET	1	1	
9	99530-08012	PIN, DOWEL	2	2	
10	14B-13414-00	GASKET, STRAINER COVER	1	1	
11	90149-06079	SCREW	13	13	
12	14B-13161-00	PIPE, DELIVERY 1	1	1	
13	90110-06182	BOLT, HEXAGON SOCKET HEAD	1	1	
14	14B-13470-00	OIL COOLER ASSY	1	1	
15	5FL-12822-00	.BOLT, UNION	1	1	
16	5EB-13475-00	.GASKET	1	1	
17	14B-13473-00	.O-RING	1	1	

FIG. 10 INTAKE

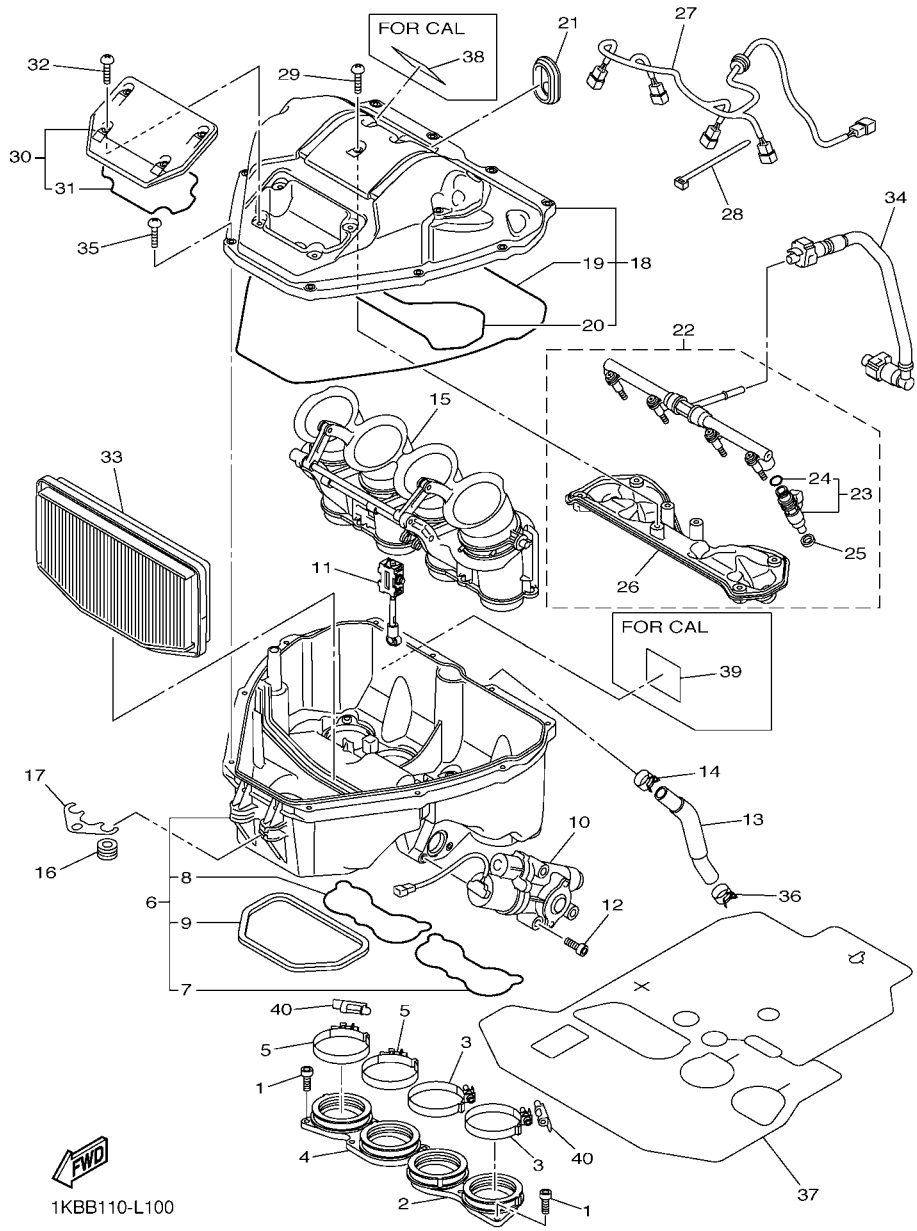
REF. NO.	PART NO.	DESCRIPTION	2SG7	2SG8	REMARKS
1	90110-06193	BOLT, HEXAGON SOCKET HEAD	7	7	
2	14B-13595-00	JOINT	1	1	
3	90450-60004	HOSE CLAMP ASSY	2	2	
4	14B-13596-00	JOINT, CARBURETOR 2	1	1	
5	90450-60004	HOSE CLAMP ASSY	2	2	
6	14B-14411-01	CASE, AIR CLEANER 1	1	1	
7	14B-14457-00	.SEAL	1	1	
8	14B-14462-00	.SEAL	1	1	
9	14B-14425-00	.DAMPER 1	1	1	
10	14B-85870-00	GEARED MOTOR COMP. 2	1	1	
11	14B-14490-00	SHAFT ASSY	1	1	
12	90110-05047	BOLT, HEXAGON SOCKET HEAD	3	3	
13	14B-15393-00	PIPE, BREATHER 2	1	1	
14	90467-160A2	CLIP	1	1	
15	14B-1440B-00	JOINT ASSY	1	1	
16	14B-14445-00	GROMMET	2	2	
17	14B-14498-00	STAY 1	1	1	
18	14B-14421-01	CASE, AIR CLEANER 2	1	1	
19	14B-14452-00	.SEAL	1	1	
20	14B-1446R-00	.SEAL	1	1	
21	13S-14445-00	GROMMET	1	1	
22	14B-14402-01	CAP ASSY, AIR CLEANER	1	1	
23	14B-13761-10	.INJECTOR	4	4	
24	5PS-14147-00	.O-RING	1	1	
25	8FP-13556-00	.RUBBER, INJECTOR	4	4	
26	14B-13767-01	.CAP, INJECTOR	1	1	
27	14B-82318-00	WIRE, SUB-LEAD	1	1	



1KBB110-L100

FIG. 10 INTAKE

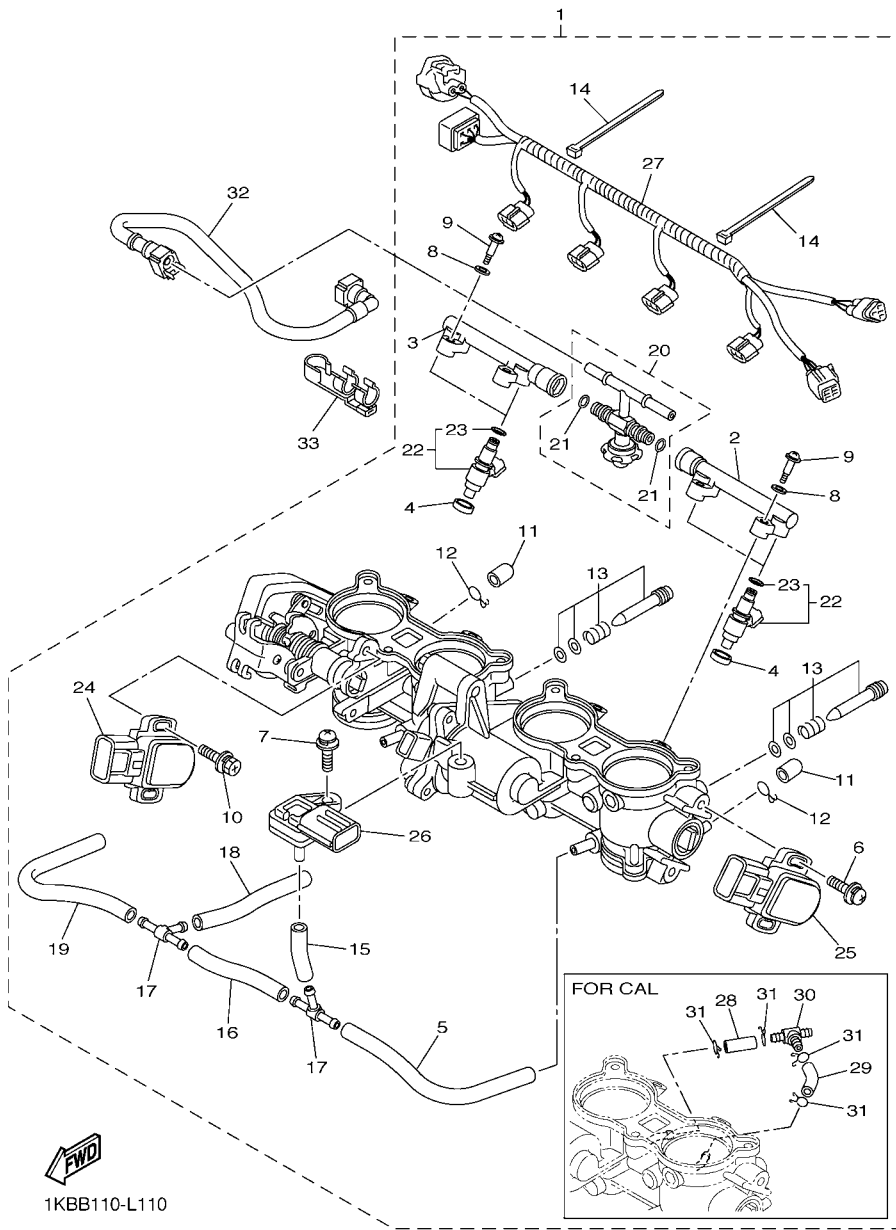
REF. NO.	PART NO.	DESCRIPTION	2SG7	2SG8	REMARKS
28	90464-16061	CLAMP	1	1	
29	92012-05014	BOLT, BUTTON HEAD	7	7	
30	14B-14412-01	CAP, CLEANER CASE 1	1	1	
31	14B-14467-00	.SEAL	1	1	
32	98902-05014	SCREW, BIND	4	4	
33	14B-14451-00	ELEMENT, AIR CLEANER	1	1	
34	14B-13972-00	PIPE, FUEL 2	1	1	
35	98902-05020	SCREW, BIND	10	10	
36	90467-160A2	CLIP	1	1	
37	14B-12682-01	PROTECTOR, HEAT	1	1	
38	14B-21684-00	PLATE, ROUTING	1	1	FOR CALIFORNIA
39	14B-21686-00	PLATE, ROUTING 2	1	1	FOR CALIFORNIA
40	2C0-13881-00	COVER 1	2	2	



FWD
1KBB110-L100

FIG. 11 INTAKE 2

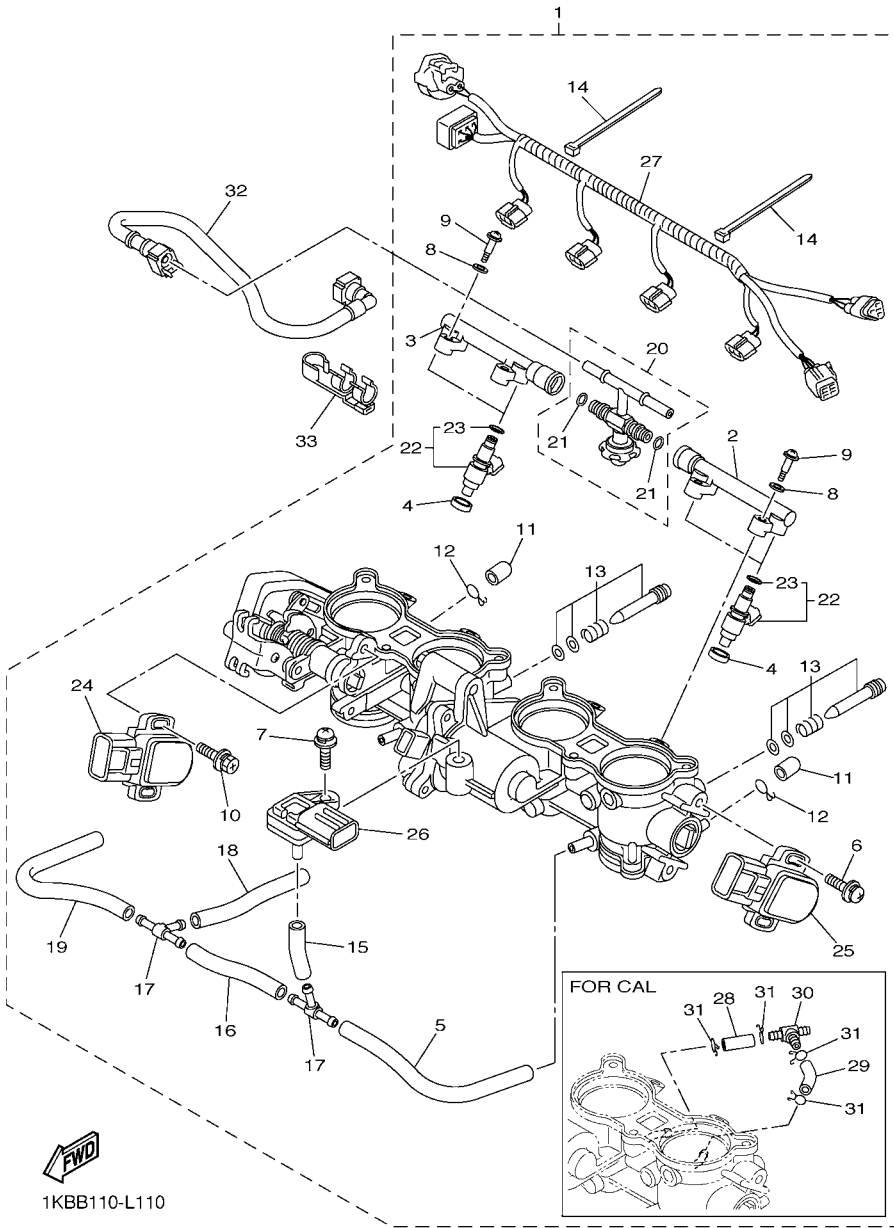
REF. NO.	PART NO.	DESCRIPTION	2SG7	2SG8		REMARKS
1	1KB-13750-00	THROTTLE BODY ASSY	1			
	1KB-13750-10	THROTTLE BODY ASSY		1		FOR CALIFORNIA
2	14B-1393A-00	.PIPE, INL.	1	1		
3	14B-1393B-00	.PIPE, INL. 2	1	1		
4	8FP-13556-00	.RUBBER, INJECTOR	4	4		
5	5PW-14396-00	.PIPE	1	1		
6	8CC-14216-10	.SCREW	2	2		
7	2C0-14216-00	.SCREW	1	1		
8	363-14198-00	.GASKET	4	4		
9	14B-13573-00	.BOLT 1	4	4		
10	5FL-14216-00	.SCREW	2	2		
11	895-14169-00	.CAP	4	4		
12	8A7-14139-00	.CLIP, PIPE	4	4		
13	2C0-14105-00	.PILOT SCREW SET	4	4		
14	4KM-14137-00	.CLIP	2	2		
15	5FL-14348-10	.PIPE 1	1	1		
16	5JW-24311-00	.PIPE, FUEL 1	1	1		
17	68V-24376-00	.PIPE, JOINT 1	2	2		
18	5JW-14348-00	.PIPE 1	1	1		
19	5PW-14349-00	.PIPE	1	1		
20	14B-13795-00	.JOINT, THROTTLE BODY 1	1	1		
21	39P-14147-00	.O-RING	2	2		
22	5S7-13761-00	.INJECTOR	4	4		
23	5PS-14147-00	.O-RING	1	1		
24	13S-85884-00	.ACCELERATOR SENSOR ASSY	1	1		
25	13S-85885-00	.THROTTLE SENSOR ASSY	1	1		
26	2C0-82380-00	.SENSOR, PRESSURE	1	1		



1KBB110-L110

FIG. 11 INTAKE 2

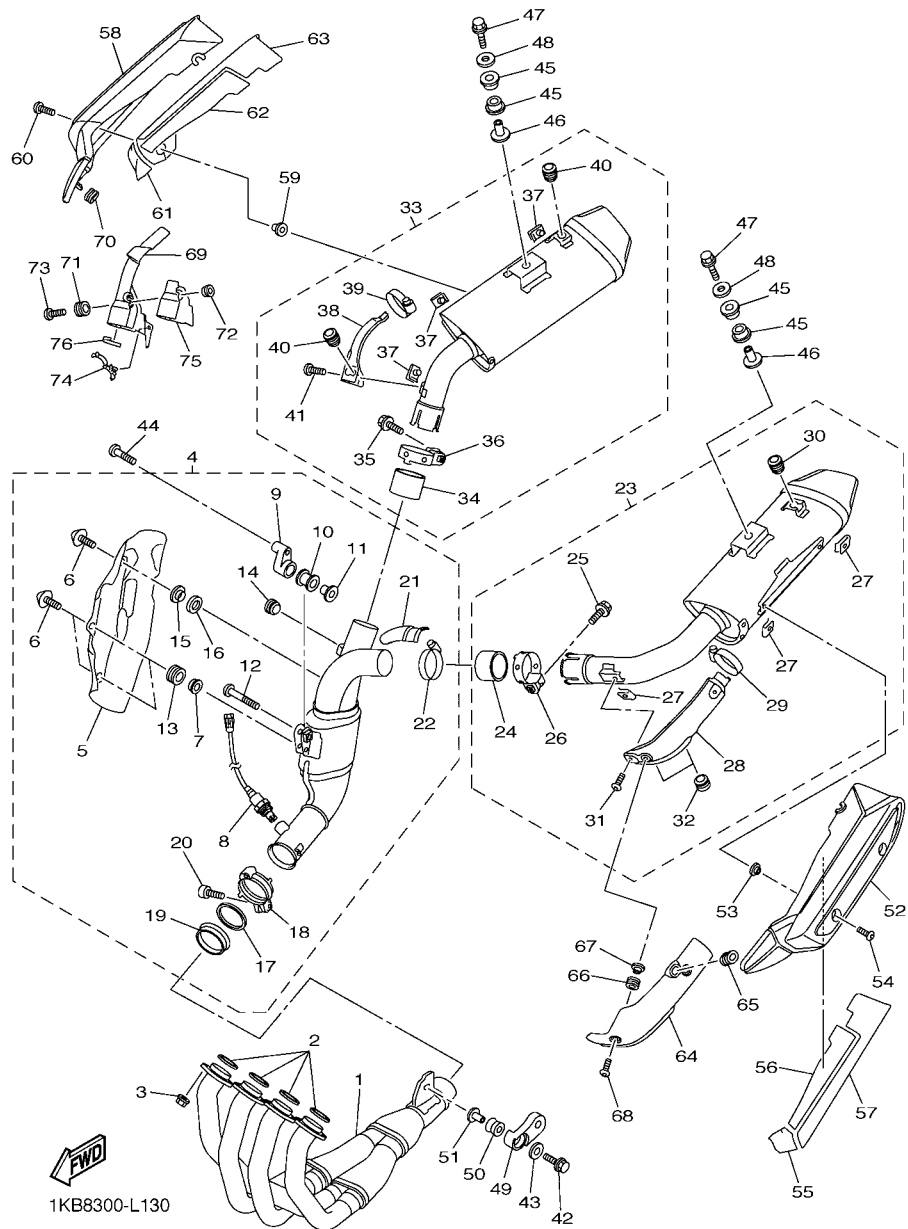
REF. NO.	PART NO.	DESCRIPTION	2SG7	2SG8	REMARKS
27	1KB-82386-00	.EXTENSION, WIRE HARNESS	1	1	
28	14B-14465-00	.PIPE		1	FOR CALIFORNIA
29	14B-14466-00	.PIPE		1	FOR CALIFORNIA
30	90413-06031	.WAY 3		1	FOR CALIFORNIA
31	90467-100A1	.CLIP		4	FOR CALIFORNIA
32	14B-13971-00	PIPE, FUEL 1	1	1	
33	90464-16005	CLAMP	1	1	



1KBB110-L110

FIG. 13 EXHAUST

REF. NO.	PART NO.	DESCRIPTION	2SG7	2SG8	REMARKS
1	14B-14602-00	EXHAUST PIPE COMP.	1	1	
2	4FM-14613-00	GASKET, EXHAUST PIPE	4	4	
3	90179-08410	NUT	8	8	
4	14B-14740-10	CATALYST ASSY.	1	1	
5	14B-14738-00	.PROTECTOR, MUFFLER 3	1	1	
6	90110-06200	.BOLT, HEXAGON SOCKET HEAD	3	3	
7	90387-06112	.COLLAR	2	2	
8	14B-8592A-00	.SENSOR, OXYGEN	1	1	
9	14B-21445-00	.STAY, MUFFLER 1	1	1	
10	4XV-27424-00	.DAMPER, MUFFLER	1	1	
11	90387-08005	.COLLAR	1	1	
12	92014-08035	.BOLT, BUTTON HEAD	1	1	
13	90480-12579	.GROMMET	2	2	
14	2D1-14737-00	.DAMPER, MUFFLER	1	1	
15	90387-06217	.COLLAR	1	1	
16	90201-08080	.WASHER, PLATE	1	1	
17	14B-14623-00	.GASKET, EXHAUST PIPE	1	1	
18	14B-14725-00	.BAND, MUFFLER	1	1	
19	14B-14618-00	.RING, STOPPER	1	1	
20	90110-06343	.BOLT, HEXAGON SOCKET HEAD	1	1	
21	14B-1465U-00	.PLATE, PROTECTOR 3	1	1	
22	90450-45001	.HOSE CLAMP ASSY	1	1	
23	14B-14710-40	MUFFLER ASSY 1	1	1	
24	5VY-14714-00	.GASKET, MUFFLER	1	1	
25	95814-08035	.BOLT, FLANGE	1	1	
26	3D8-14715-00	.BAND, MUFFLER	1	1	
27	90183-060A2	.NUT, SPRING	3	3	



1KB8300-L130

FIG. 13 EXHAUST

REF. NO.	PART NO.	DESCRIPTION	2SG7	2SG8	REMARKS
28	14B-1465R-00	.PLATE, PROTECTOR 1	1	1	
29	90450-45001	.HOSE CLAMP ASSY	1	1	
30	3D7-14737-00	.DAMPER, MUFFLER	1	1	
31	92012-06010	.BOLT, BUTTON HEAD	1	1	
32	4FM-24181-00	.DAMPER, LOCATING 1	2	2	
33	14B-14720-40	MUFFLER ASSY 2	1	1	
34	5VY-14714-00	.GASKET, MUFFLER	1	1	
35	95814-08035	.BOLT, FLANGE	1	1	
36	3D8-14715-00	.BAND, MUFFLER	1	1	
37	90183-060A2	.NUT, SPRING	3	3	
38	14B-1465T-00	.PLATE, PROTECTOR 2	1	1	
39	90450-45001	.HOSE CLAMP ASSY	1	1	
40	3D7-14737-00	.DAMPER, MUFFLER	2	2	
41	92012-06010	.BOLT, BUTTON HEAD	1	1	
42	95812-08040	BOLT, FLANGE	1	1	
43	90201-087G2	WASHER, PLATE	1	1	
44	90111-08071	BOLT,HEX. SOCKET BUTTON	1	1	
45	14B-27424-00	DAMPER, FOOTREST 2	4	4	
46	90387-08039	COLLAR	2	2	
47	95812-08045	BOLT, FLANGE	2	2	
48	90201-08082	WASHER, PLATE	2	2	
49	14B-21446-00	STAY, MUFFLER 2	1	1	
50	5VY-14747-00	DAMPER, MUFFLER	1	1	
51	90387-08021	COLLAR	1	1	
52	1KB-14718-00	PROTECTOR, MUFFLER 1	1	1	
53	90387-06170	COLLAR	2	2	
54	90111-06127	BOLT,HEX. SOCKET BUTTON	2	2	

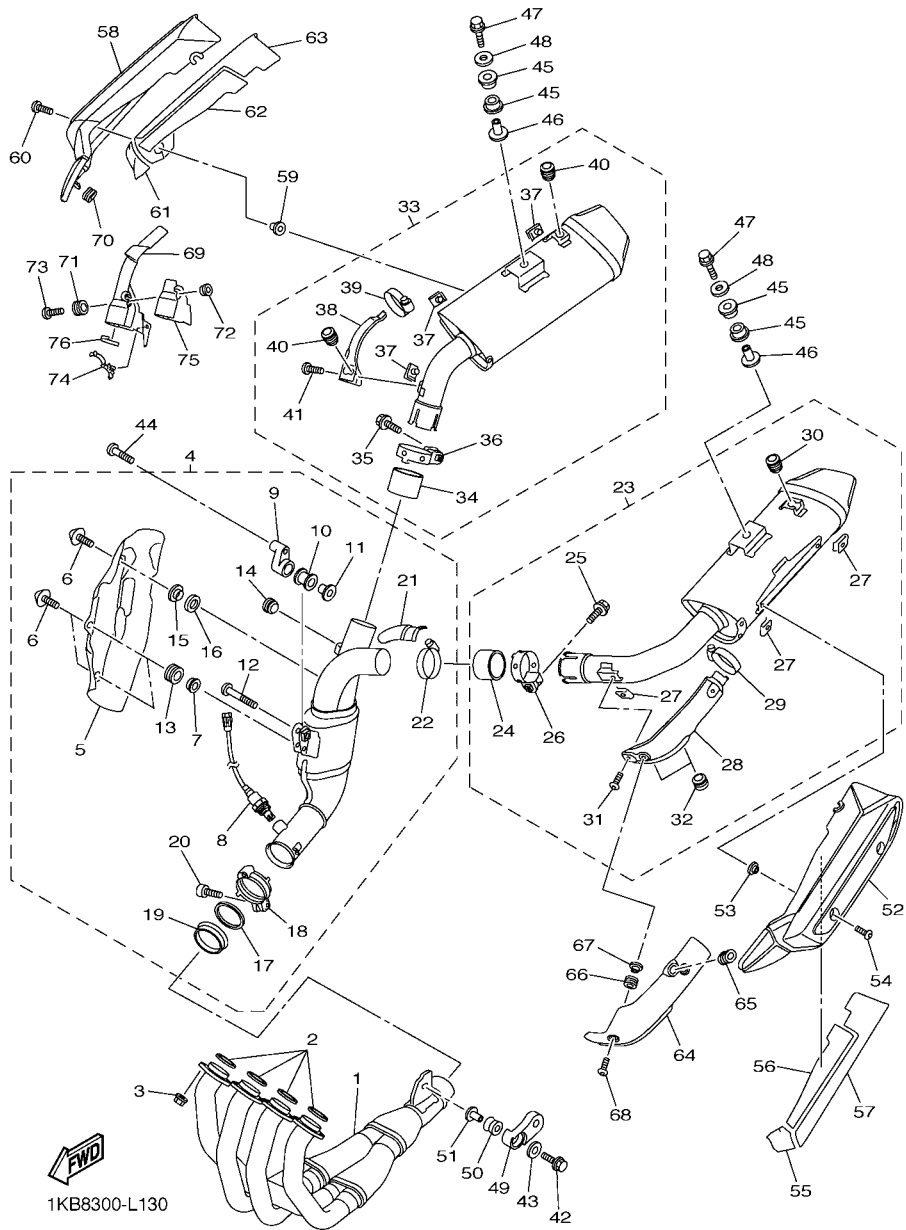
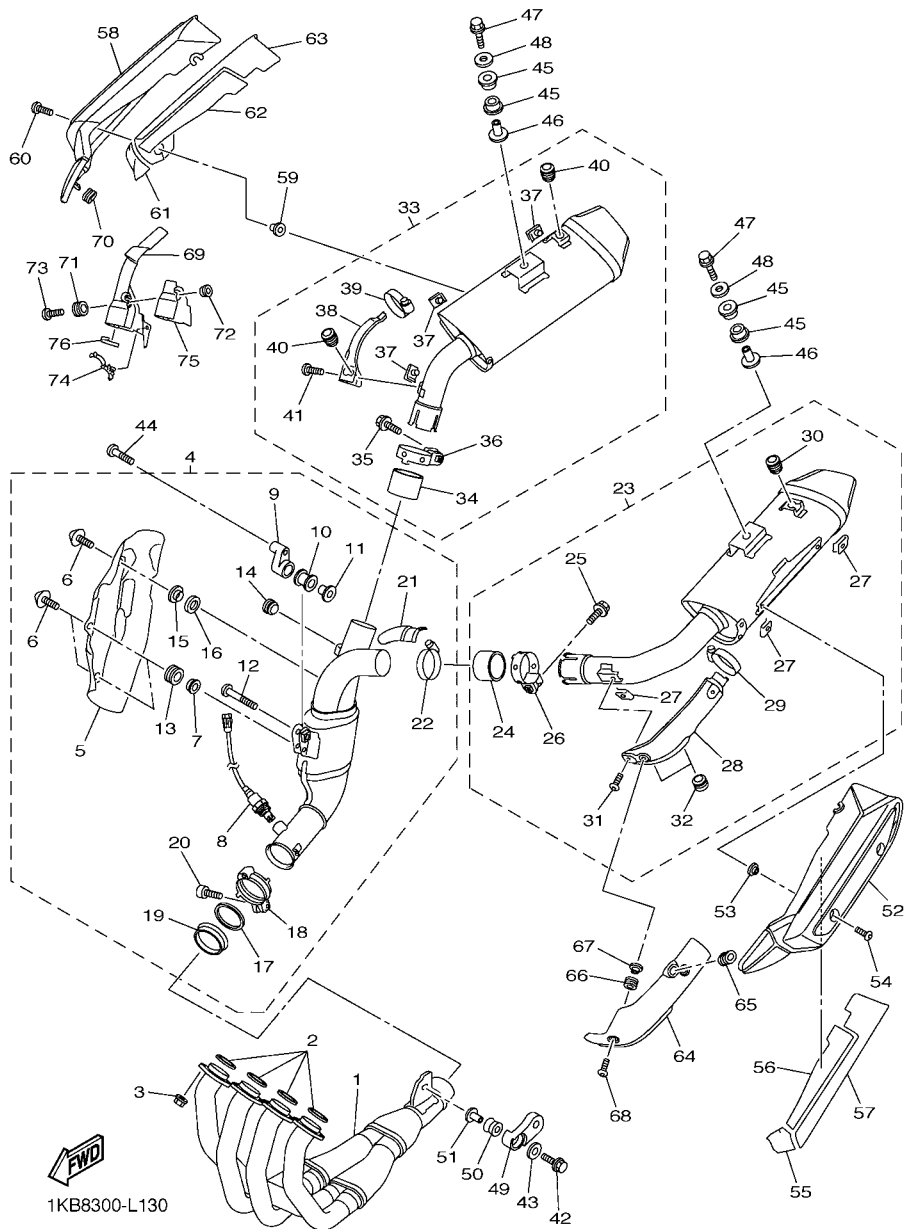


FIG. 13 EXHAUST

REF. NO.	PART NO.	DESCRIPTION	2SG7	2SG8	REMARKS
55	1KB-27498-00	SEAT 1	1	1	
56	1KB-27499-00	SEAT 2	1	1	
57	1KB-2749A-00	SEAT 3	1	1	
58	1KB-14728-00	PROTECTOR, MUFFLER 2	1	1	
59	90387-06170	COLLAR	2	2	
60	90111-06127	BOLT,HEX. SOCKET BUTTON	2	2	
61	1KB-2749B-00	SEAT 4	1	1	
62	1KB-2749C-00	SEAT 5	1	1	
63	1KB-2749D-00	SEAT 6	1	1	
64	14B-2163E-00	COVER, REAR FENDER 2	1	1	
65	90480-01558	GROMMET	1	1	
66	90480-12581	GROMMET	2	2	
67	90387-087L0	COLLAR	2	2	
68	90111-06095	BOLT,HEX. SOCKET BUTTON	2	2	
69	14B-2163F-00	COVER, REAR FENDER 3	1	1	
70	90480-01558	GROMMET	1	1	
71	90480-12581	GROMMET	2	2	
72	90387-087L0	COLLAR	2	2	
73	90111-06095	BOLT,HEX. SOCKET BUTTON	2	2	
74	90464-16006	CLAMP	1	1	
75	14B-1478P-00	SEAT	1	1	
76	14B-1479P-00	SEAT 5	1	1	



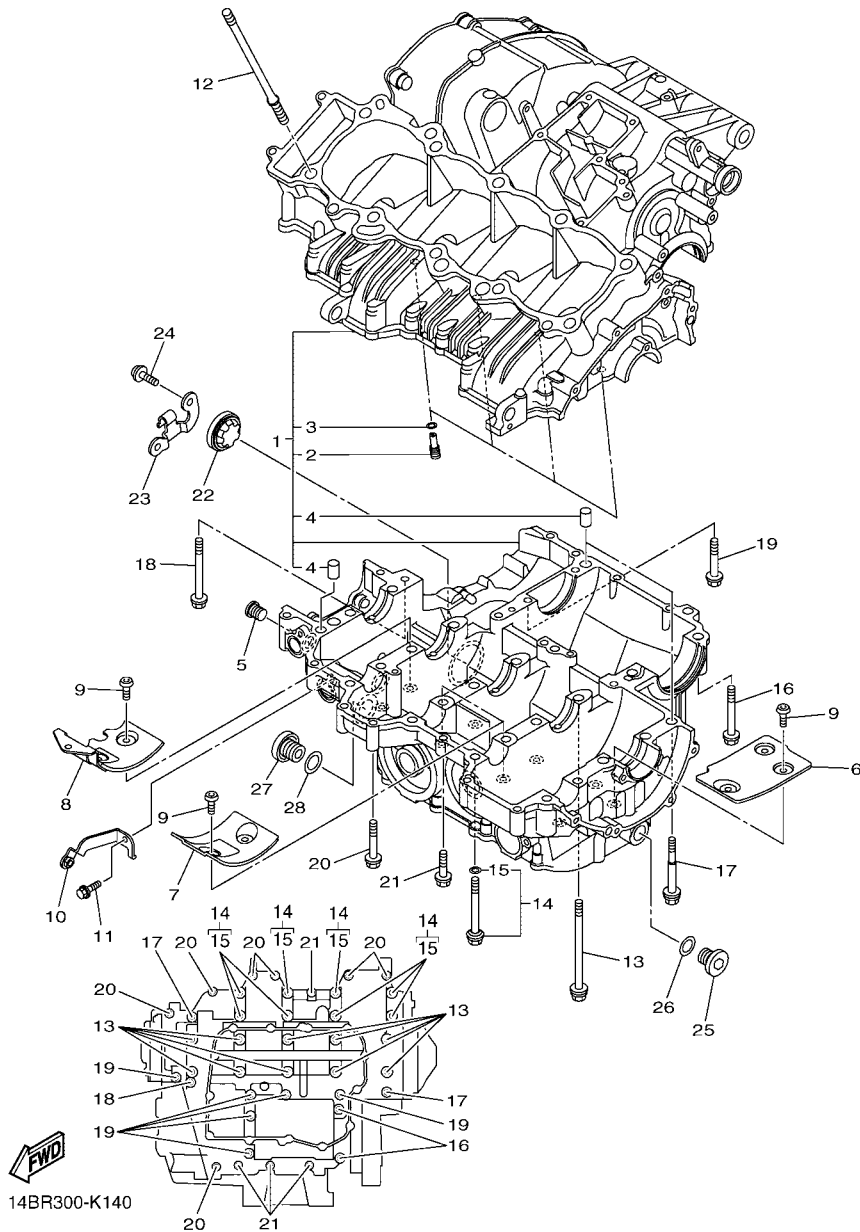
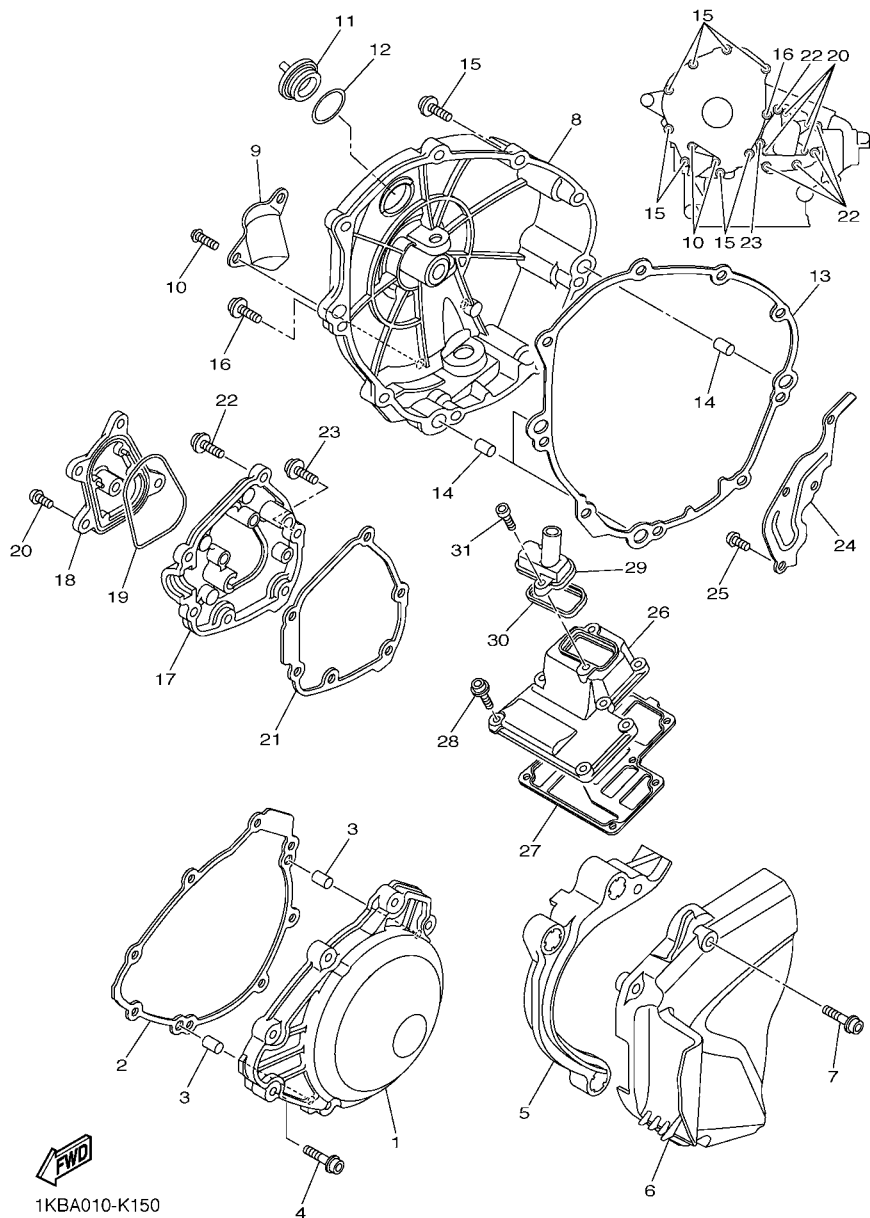


FIG. 14 CRANKCASE

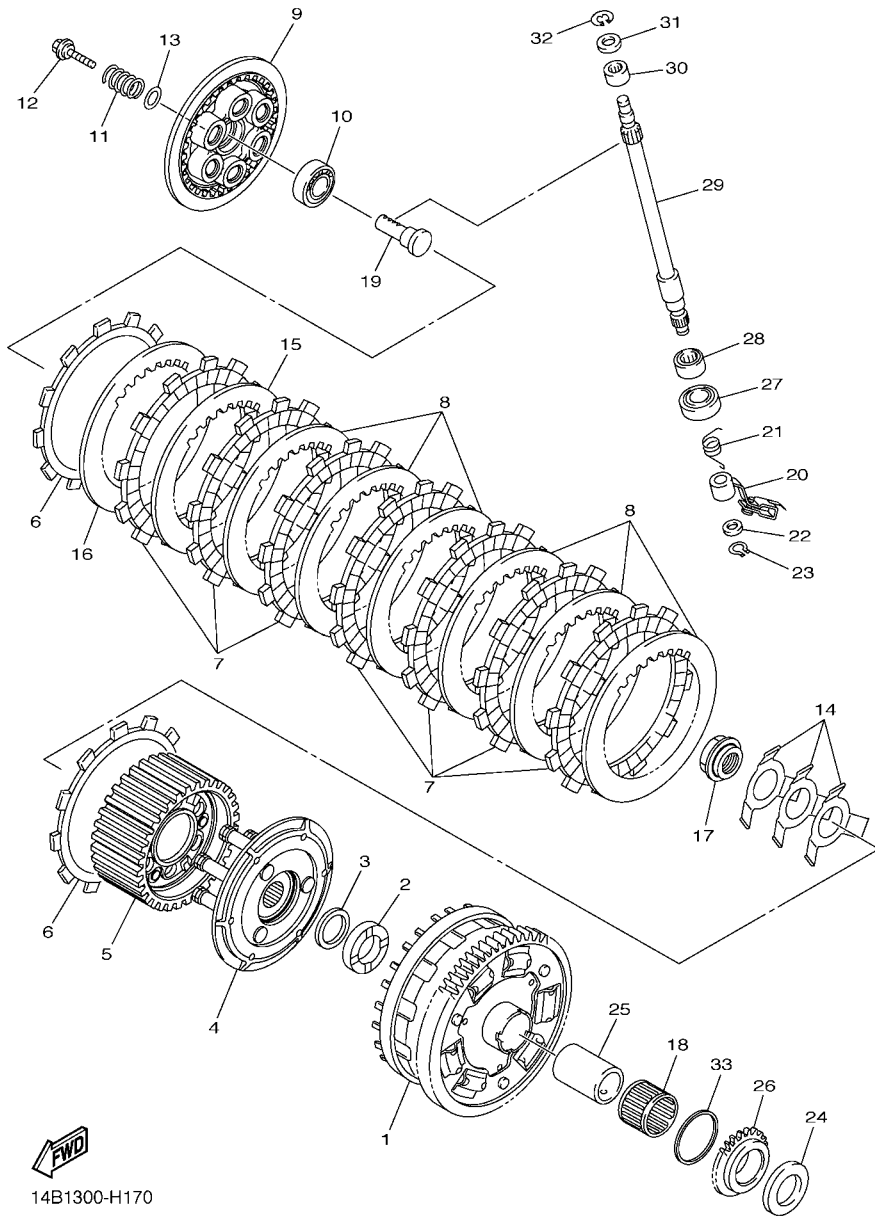
REF. NO.	PART NO.	DESCRIPTION	2SG7	2SG8	REMARKS
1	14B-15100-08	CRANKCASE ASSY	1	1	
2	5EB-15155-00	.NOZZLE 3	4	4	
3	93210-04092	.O-RING	4	4	
4	99530-10014	.PIN, DOWEL	3	3	
5	90340-12003	PLUG, STRAIGHT SCREW	1	1	
6	14B-15123-00	PLATE, BAFFLE 1	1	1	
7	14B-15124-00	PLATE, BAFFLE 2	2	2	
8	14B-15133-00	PLATE, BAFFLE 3	1	1	
9	90149-06082	SCREW	10	10	
10	14B-28322-00	STAY 2	1	1	
11	90105-06181	BOLT, FLANGE	1	1	
12	90116-10051	BOLT, STUD	10	10	
13	90119-09010	BOLT, WITH WASHER	10	10	
14	14B-15156-00	BOLT, CRANKCASE JOURNAL	8	8	
15	93210-07540	.O-RING	1	1	
16	95812-08060	BOLT, FLANGE	2	2	
17	90109-06100	BOLT	2	2	
18	90105-06165	BOLT, FLANGE	1	1	
19	95812-06060	BOLT, FLANGE	6	6	
20	95812-06050	BOLT, FLANGE	7	7	
21	95812-06040	BOLT, FLANGE	4	4	
22	5PW-15361-00	GAUGE, LEVEL	1	1	
23	14B-15441-01	HOLDER, CLUTCH CABLE	1	1	
24	90110-06340	BOLT, HEXAGON SOCKET HEAD	2	2	
25	36Y-15189-00	PLUG	2	2	
26	93210-16325	O-RING	2	2	
27	4H7-15189-00	PLUG	1	1	

FIG. 15 CRANKCASE COVER 1

REF. NO.	PART NO.	DESCRIPTION	2SG7	2SG8	REMARKS
1	14B-15411-00	COVER, CRANKCASE 1	1	1	
2	14B-15451-00	GASKET, CRANKCASE COVER 1	1	1	
3	99530-08012	PIN, DOWEL	2	2	
4	90110-06387	BOLT, HEXAGON SOCKET HEAD	8	8	
5	14B-15377-00	GUIDE, INLET	1	1	
6	14B-15418-00	COVER, CHAIN CASE	1	1	
7	90110-06390	BOLT, HEXAGON SOCKET HEAD	3	3	
8	14B-15421-00	COVER, CRANKCASE 2	1	1	
9	5VY-15499-00	PROTECTOR, COVER	1	1	
10	90149-06152	SCREW	2	2	
11	3F9-15362-10	PLUG, OIL LEVEL	1	1	
12	93210-27778	O-RING	1	1	
13	14B-15461-00	GASKET, CRANKCASE COVER 2	1	1	
14	93610-20189	PIN, DOWEL	3	3	
15	90110-06388	BOLT, HEXAGON SOCKET HEAD	8	8	
16	90110-06389	BOLT, HEXAGON SOCKET HEAD	1	1	
17	14B-15416-00	COVER, OIL PUMP	1	1	
18	14B-15431-01	COVER, CRANKCASE 3	1	1	
19	93210-68001	O-RING	1	1	
20	90149-06152	SCREW	4	4	
21	14B-15456-00	GASKET, OIL PUMP COVER 1	1	1	
22	90110-06396	BOLT, HEXAGON SOCKET HEAD	5	5	
23	90110-06388	BOLT, HEXAGON SOCKET HEAD	1	1	
24	14B-11165-00	PLATE, BREATHER	1	1	
25	90149-06158	SCREW	4	4	
26	14B-15413-00	COVER	1	1	
27	14B-15462-00	GASKET, CRANKCASE COVER 3	1	1	



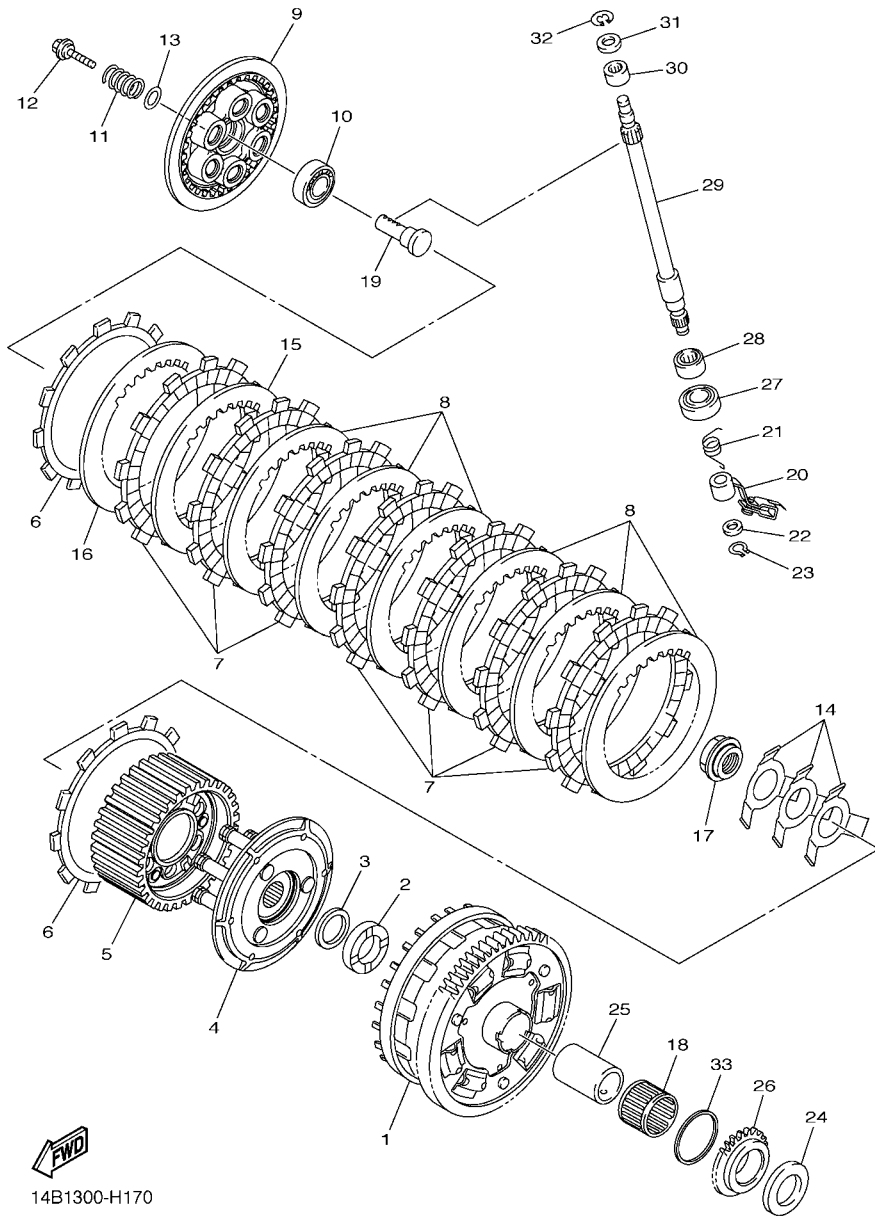
1KBA010-K150



14B1300-H170

FIG. 17 CLUTCH

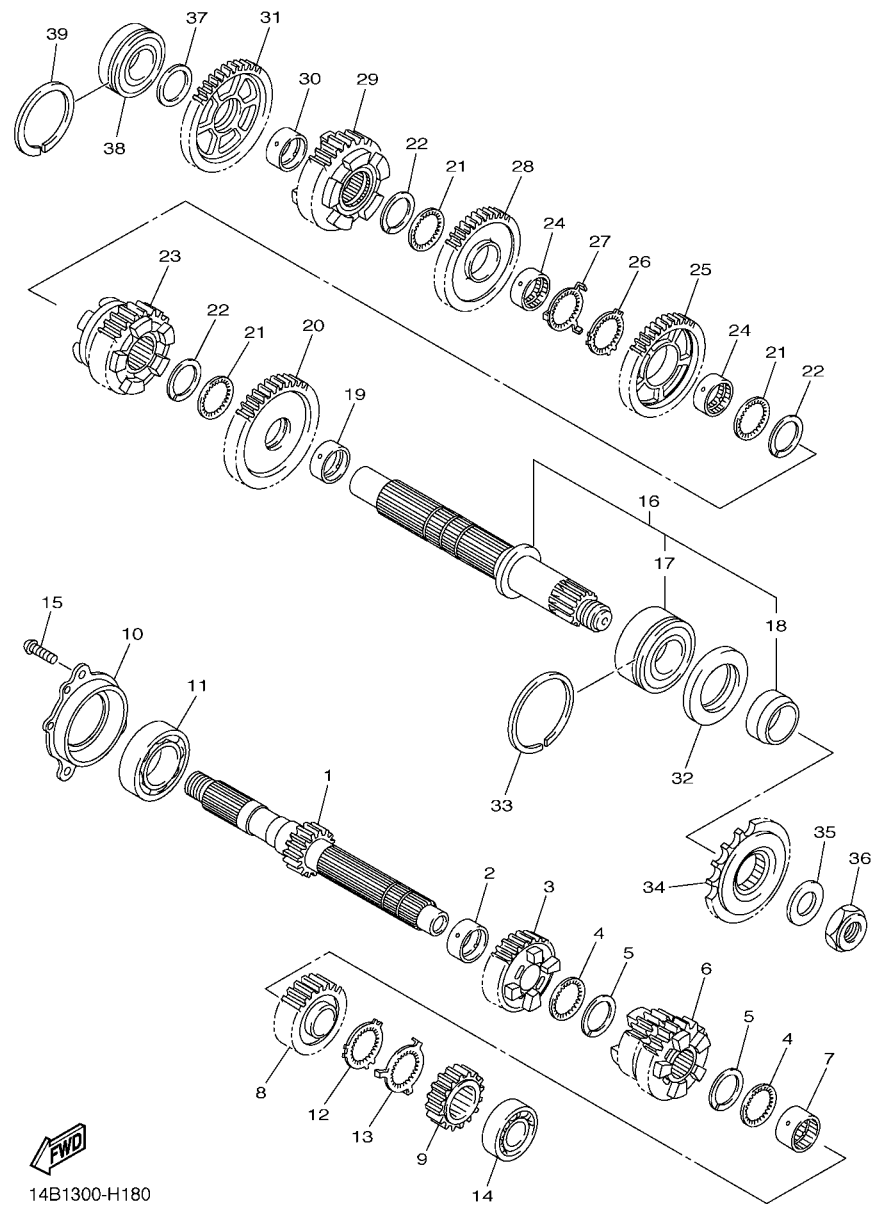
REF. NO.	PART NO.	DESCRIPTION	2SG7	2SG8	REMARKS
1	14B-16150-20	PRIMARY DRIVEN GEAR COMP.	1	1	
2	4C8-16154-00	PLATE, THRUST 1	1	1	
3	90208-25002	WASHER, CONICAL SPRING	1	1	
4	1KB-16360-00	PRESSURE PLATE ASSY 2	1	1	
5	1KB-16370-10	CLUTCH BOSS ASSY	1	1	
6	14B-16330-00	PLATE, FRICTION 2	2	2	
7	5VY-16321-00	PLATE, FRICTION	7	7	
8	5VY-16325-00	PLATE, CLUTCH 2	6	6	
9	14B-16351-00	PLATE, PRESSURE 1	1	1	
10	93306-00304	BEARING	1	1	
11	90501-240A2	SPRING, COMPRESSION	6	6	
12	90159-06026	SCREW, WITH WASHER	6	6	
13	14B-16384-00	PLATE, SEAT	6	6	
14	2S3-16539-00	SPRING	3	3	
15	5VY-16325-00	PLATE, CLUTCH 2	1	1	UR (T2.0)
16	5VY-16325-00	PLATE, CLUTCH 2	1	1	UR (T2.0)
17	4B1-16325-00	PLATE, CLUTCH 2	1	1	UR (T2.3)
18	4B1-16324-00	PLATE, CLUTCH 1	1	1	UR (T1.6)
19	4B1-16325-00	PLATE, CLUTCH 2	1	1	UR (T2.3)
20	4C8-16377-00	NUT, LOCK	1	1	
21	93310-23168	BEARING	1	1	
22	4XV-16356-01	ROD, PUSH 1	1	1	
23	14B-16340-00	PUSH LEVER ASSY	1	1	
24	90508-16041	SPRING, TORSION	1	1	
25	90201-10029	WASHER, PLATE	1	1	
26	99009-10400	CIRCLIP	1	1	
27	363-16154-00	PLATE, THRUST 1	1	1	



14B1300-H170

FIG. 17 CLUTCH

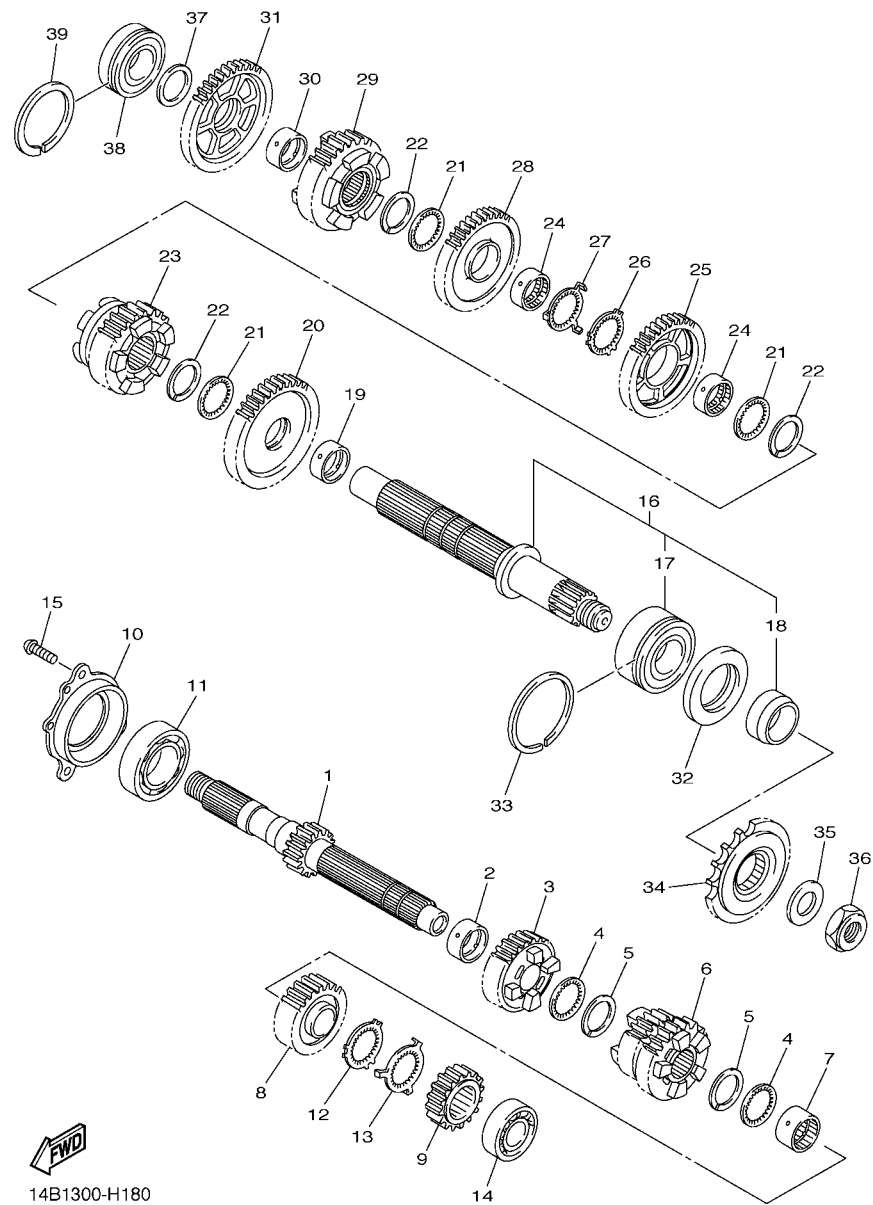
REF. NO.	PART NO.	DESCRIPTION	2SG7	2SG8	REMARKS
25	14B-16181-00	SPACER 1	1	1	
26	14B-13354-00	SPROCKET, DRIVE	1	1	
27	93102-15212	OIL SEAL	1	1	
28	93315-21570	BEARING	1	1	
29	5VY-16382-10	AXLE, PUSH LEVER	1	1	
30	93317-11096	BEARING	1	1	
31	92907-08600	WASHER, PLATE	1	1	
32	99001-07600	CIRCLIP	1	1	
33	90201-44008	WASHER, PLATE	1	1	



14B1300-H180

FIG. 18 TRANSMISSION

REF. NO.	PART NO.	DESCRIPTION	2SG7	2SG8	REMARKS
1	14B-17411-00	AXLE, MAIN (15T)	1	1	
2	90387-28003	COLLAR	1	1	
3	4C8-17151-00	GEAR, 5TH PINION (22T)	1	1	
4	90209-25011	WASHER	2	2	
5	93440-28184	CIRCLIP	2	2	
6	1KB-17131-00	GEAR, 3RD PINION (21/23T)	1	1	
7	90387-25023	COLLAR	1	1	
8	1KB-17161-00	GEAR, 6TH PINION (26T)	1	1	
9	2D1-17121-10	GEAR, 2ND PINION (16T)	1	1	
10	14B-15163-00	HOUSING, BEARING 1	1	1	
11	93306-20652	BEARING	1	1	
12	90214-25004	WASHER, CLAW	1	1	
13	90214-25003	WASHER, CLAW	1	1	
14	93306-27209	BEARING	1	1	
15	90149-06082	SCREW	3	3	
16	1KB-17402-00	DRIVE AXLE ASSY	1	1	
17	93305-20605	.BEARING	1	1	
18	90387-30012	.COLLAR	1	1	
19	90387-31003	COLLAR	1	1	
20	14B-17221-00	GEAR, 2ND WHEEL (33T)	1	1	
21	90209-28008	WASHER	3	3	
22	93440-31187	CIRCLIP	3	3	
23	14B-17261-00	GEAR, 6TH WHEEL (33T)	1	1	
24	90387-28004	COLLAR	2	2	
25	14B-17241-00	GEAR, 4TH WHEEL (35T)	1	1	
26	90214-29002	WASHER, CLAW	1	1	
27	90214-28002	WASHER, CLAW	1	1	



14B1300-H180

FIG. 18 TRANSMISSION

REF. NO.	PART NO.	DESCRIPTION	2SG7	2SG8			REMARKS
			1	1			
28	14B-17231-00	GEAR, 3RD WHEEL (37T)	1	1			
29	14B-17251-00	GEAR, 5TH WHEEL (30T)	1	1			
30	90387-25008	COLLAR	1	1			
31	5VY-17211-00	GEAR, 1ST WHEEL (38T)	1	1			
32	93102-40330	OIL SEAL	1	1			
33	93440-62032	CIRCLIP	1	1			
34	3C3-17460-00	SPROCKET, DRIVE (17T)	1	1			
35	90201-22015	WASHER, PLATE	1	1			
36	90179-22019	NUT	1	1			
37	90201-257H0	WASHER, PLATE	1	1			
38	93306-205A2	BEARING	1	1			
39	93440-52009	CIRCLIP	1	1			

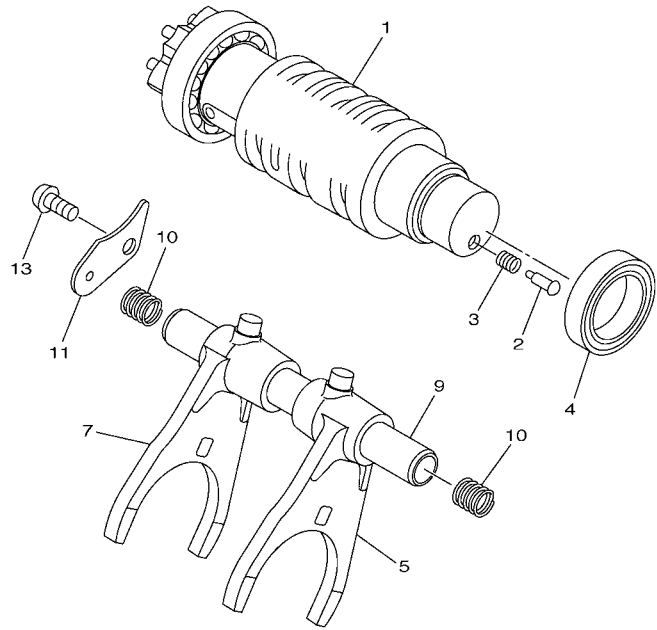
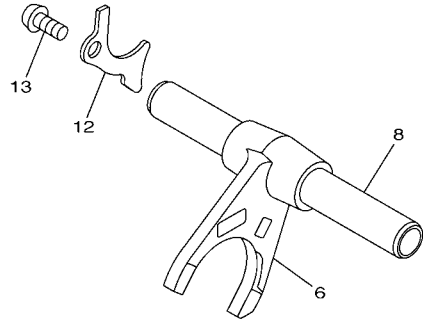


FIG. 19 SHIFT CAM & FORK

REF. NO.	PART NO.	DESCRIPTION	2SG7	2SG8	REMARKS
1	14B-18540-00	SHIFT CAM ASSY	1	1	
2	3D7-18542-00	POINT, NEUTRAL	1	1	
3	90501-06022	SPRING, COMPRESSION	1	1	
4	93306-80502	BEARING	1	1	
5	14B-18511-00	FORK, SHIFT 1	1	1	
6	14B-18512-00	FORK, SHIFT 2	1	1	
7	14B-18513-00	FORK, SHIFT 3	1	1	
8	14B-18531-00	BAR, SHIFT FORK GUIDE 1	1	1	
9	2C0-18535-00	BAR, SHIFT FORK GUIDE 2	1	1	
10	90501-080A2	SPRING, COMPRESSION	2	2	
11	14B-18536-00	STOPPER, SHIFT BAR	1	1	
12	14B-18562-00	PLATE, STOPPER 2	1	1	
13	90149-06158	SCREW	2	2	



14B1300-H190

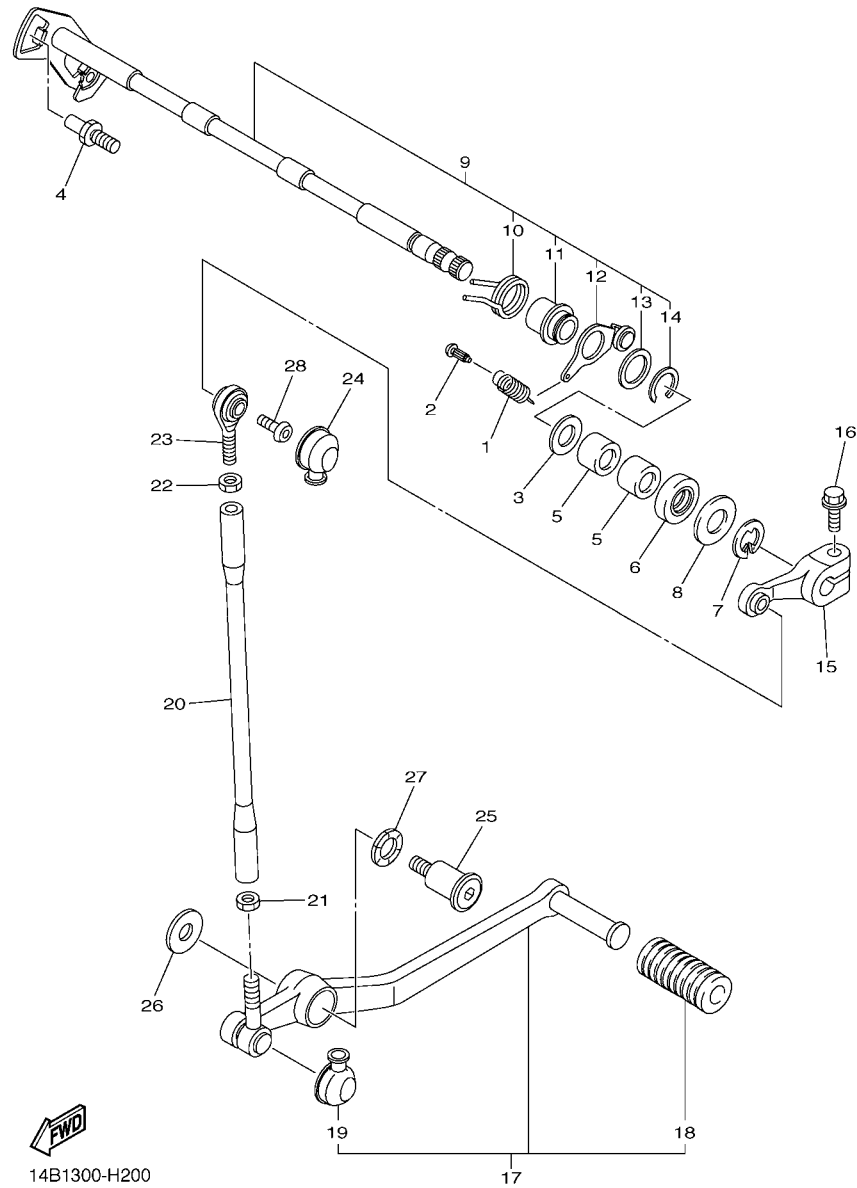


FIG. 20 SHIFT SHAFT

REF. NO.	PART NO.	DESCRIPTION	2SG7	2SG8	REMARKS
1	90506-18021	SPRING, TENSION	1	1	
2	132-16346-00	HOOK, SPRING	1	1	
3	90201-127E1	WASHER, PLATE	1	1	
4	1D7-18127-00	STOPPER, SCREW	1	1	
5	93317-11295	BEARING	2	2	
6	93102-12106	OIL SEAL (SD 12-22-5 HS)	1	1	
7	99002-10600	CLIP	1	1	
8	90201-12575	WASHER, PLATE	1	1	
9	14B-18101-01	SHIFT SHAFT ASSY	1	1	
10	90508-32141	.SPRING, TORSION	1	1	
11	2C0-18175-00	.SPACER	1	1	
12	14B-18140-00	.STOPPER LEVER ASSY	1	1	
13	90201-177G4	.WASHER, PLATE	1	1	
14	99009-17400	.CIRCLIP	1	1	
15	5JJ-18112-20	ARM, SHIFT	1	1	
16	95022-06020	BOLT, FLANGE	1	1	
17	14B-18110-00	SHIFT PEDAL ASSY	1	1	
18	5EB-18113-00	.COVER, SHIFT PEDAL	1	1	
19	4XV-18154-00	.COVER, DUST	1	1	
20	5LV-18115-10	ROD, SHIFT	1	1	
21	90170-06228	NUT(COUNTER CLOCKWISE)	1	1	
22	95304-06700	NUT	1	1	
23	5LV-18116-00	JOINT, ROD 1	1	1	
24	4XV-18154-00	COVER, DUST	1	1	
25	4C8-27434-00	BOLT	1	1	
26	90201-08103	WASHER, PLATE	1	1	
27	90206-14086	WASHER, WAVE	1	1	

FIG. 21 FRAME

REF. NO.	PART NO.	DESCRIPTION	2SG7	2SG8	REMARKS
1	14B-21110-00	FRAME COMP.	1		
	14B-21110-20	FRAME COMP.		1	FOR CALIFORNIA
2	90105-12062	BOLT, FLANGE	1	1	
3	95812-12080	BOLT, FLANGE	1	1	
4	14B-21414-00	BOSS, ENGINE MOUNT	2	2	
5	14B-21424-00	BOSS, ENGINE MOUNT	1	1	
6	14B-2141R-00	BOSS	1	1	
7	90110-10024	BOLT, HEXAGON SOCKET HEAD	1	1	
8	90179-10028	NUT	1	1	
9	14B-21495-00	BOLT, ENGINE ADJUSTING	1	1	
10	90110-10023	BOLT, HEXAGON SOCKET HEAD	1	1	
11	90179-10028	NUT	1	1	
12	14B-21495-00	BOLT, ENGINE ADJUSTING	1	1	
13	14B-24121-00	SEAT, KNEE GRIP 1	1	1	
14	14B-24122-00	SEAT, KNEE GRIP 2	1	1	
15	14B-21190-00	REAR FRAME COMP.	1	1	
16	14B-21131-00	BRACKET	1	1	
17	90110-06163	BOLT, HEXAGON SOCKET HEAD	4	4	
18	1KB-Y212E-00	REINF., FRAME RR. ASSY	1	1	
19	90110-06163	BOLT, HEXAGON SOCKET HEAD	4	4	
20	1KB-211C5-00	SCREW 1	4	4	
21	90338-15004	PLUG	1	1	
22	90269-04025	RIVET	1	1	
23	14B-21640-10	REAR STAY COMP.	1	1	
24	14B-21682-00	STAY, PLATE	1	1	
25	14B-2163A-00	COVER, REAR FENDER 1	1	1	
26	97702-50016	SCREW, TAPPING	1	1	

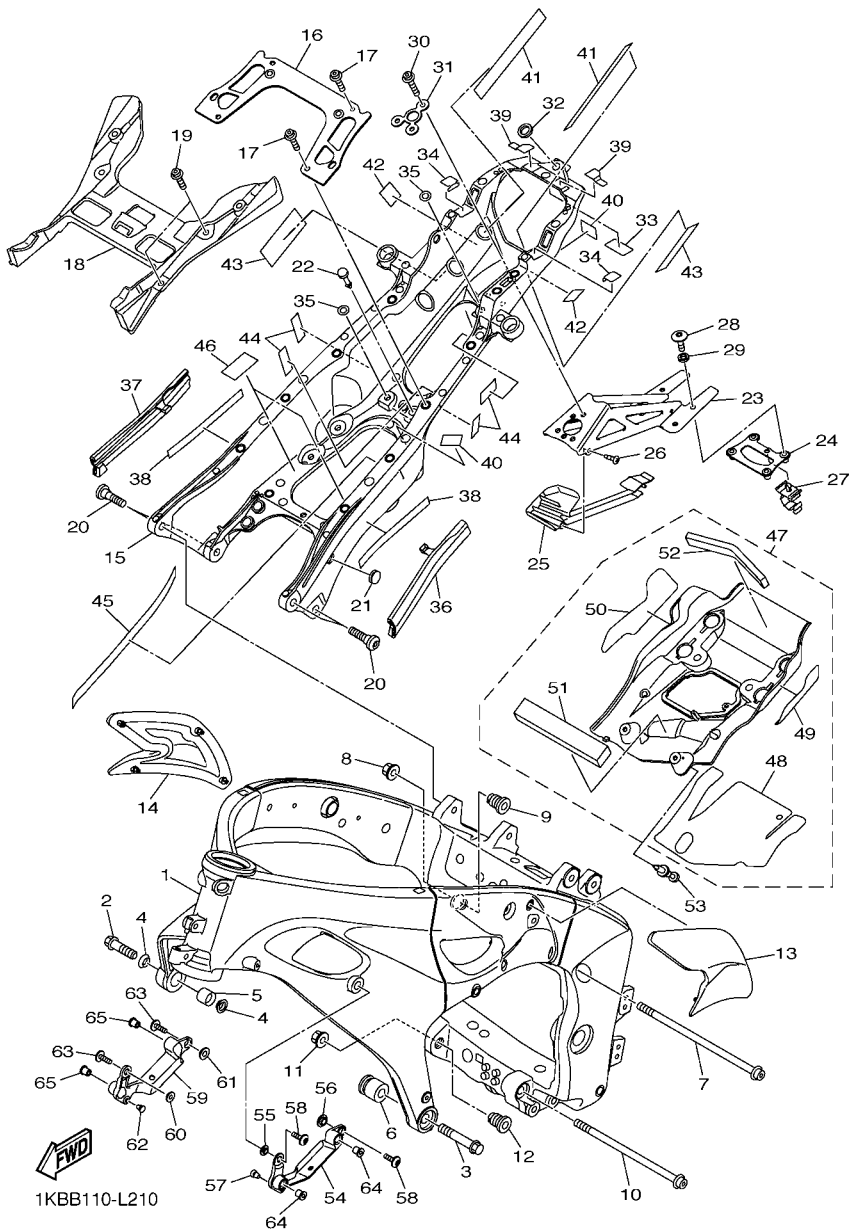


FIG. 21 FRAME

REF. NO.	PART NO.	DESCRIPTION	2SG7	2SG8	REMARKS
27	90464-14228	CLAMP	1	1	
28	90111-06129	BOLT,HEX. SOCKET BUTTON	4	4	
29	90387-061Y1	COLLAR	4	4	
30	90110-06156	BOLT, HEXAGON SOCKET HEAD	3	3	
31	14B-21615-00	WASHER, SPECIAL 1	1	1	
32	13S-21746-00	DAMPER	1	1	
33	14B-22873-00	SEAL 1	1	1	
34	14B-22874-00	SEAL 2	2	2	
35	13S-2173M-00	SEAL 3	2	2	
36	1KB-22876-00	SEAL 4	1	1	
37	1KB-22877-00	SEAL, 5	1	1	
38	13S-21567-00	TAPE, 2	2	2	
39	14B-22879-00	SEAL, 7	2	2	
40	14B-28425-00	DAMPER 3	2	2	
41	3C5-2414H-00	DAMPER, PLATE 1	2	2	
42	14B-28227-00	DAMPER 2	2	2	
43	2S2-2214F-70	DAMPER 1	2	2	
44	14B-28237-00	DAMPER 3	4	4	
45	90520-03010	DAMPER, PLATE	1	1	
46	14B-28435-00	DAMPER 4	2	2	
47	14B-2110N-20	COVER ASSY 2	1	1	
48	14B-2112B-00	.SEAT 1	1	1	
49	14B-2113C-00	.SHEET,2	1	1	
50	14B-2113D-00	.SHEET, 3	1	1	
51	90520-15001	.DAMPER, PLATE	1	1	
52	90520-15004	.DAMPER, PLATE	1	1	
53	90269-06016	RIVET	2	2	

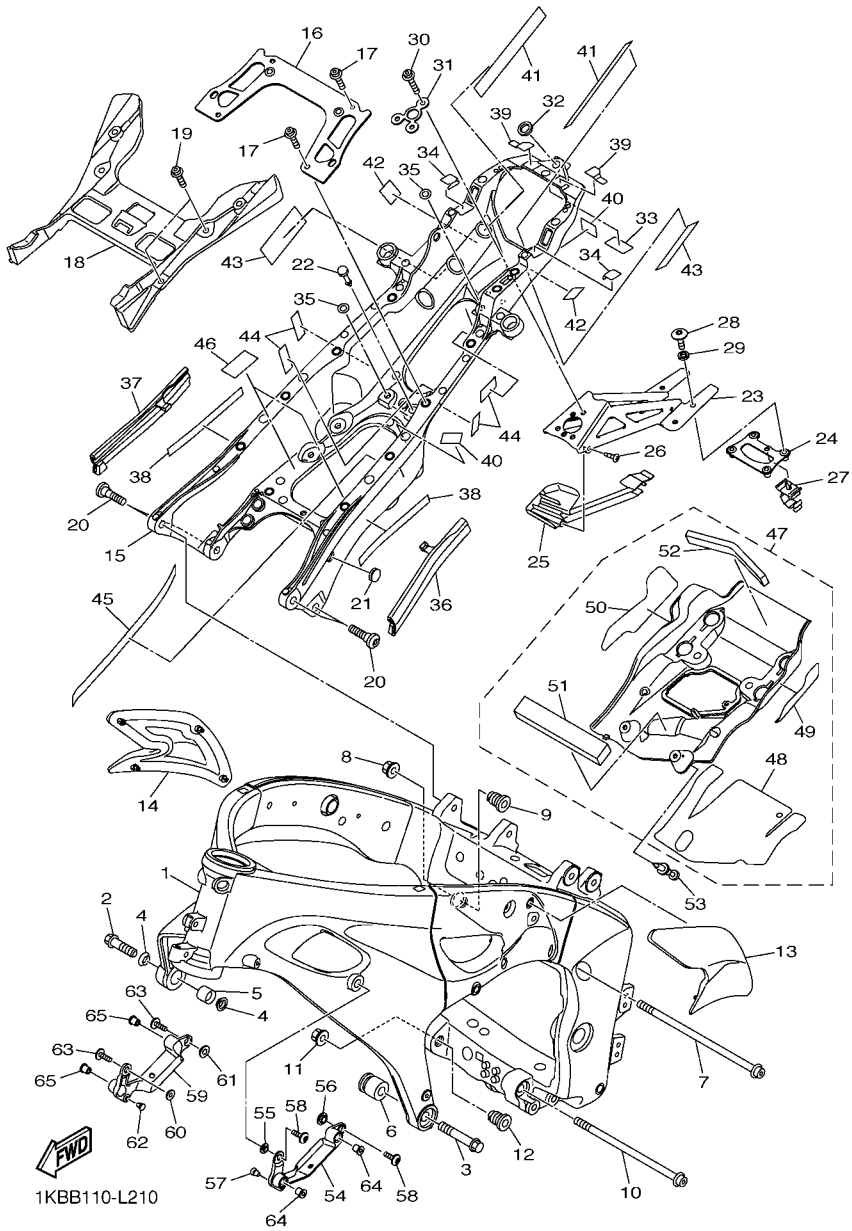
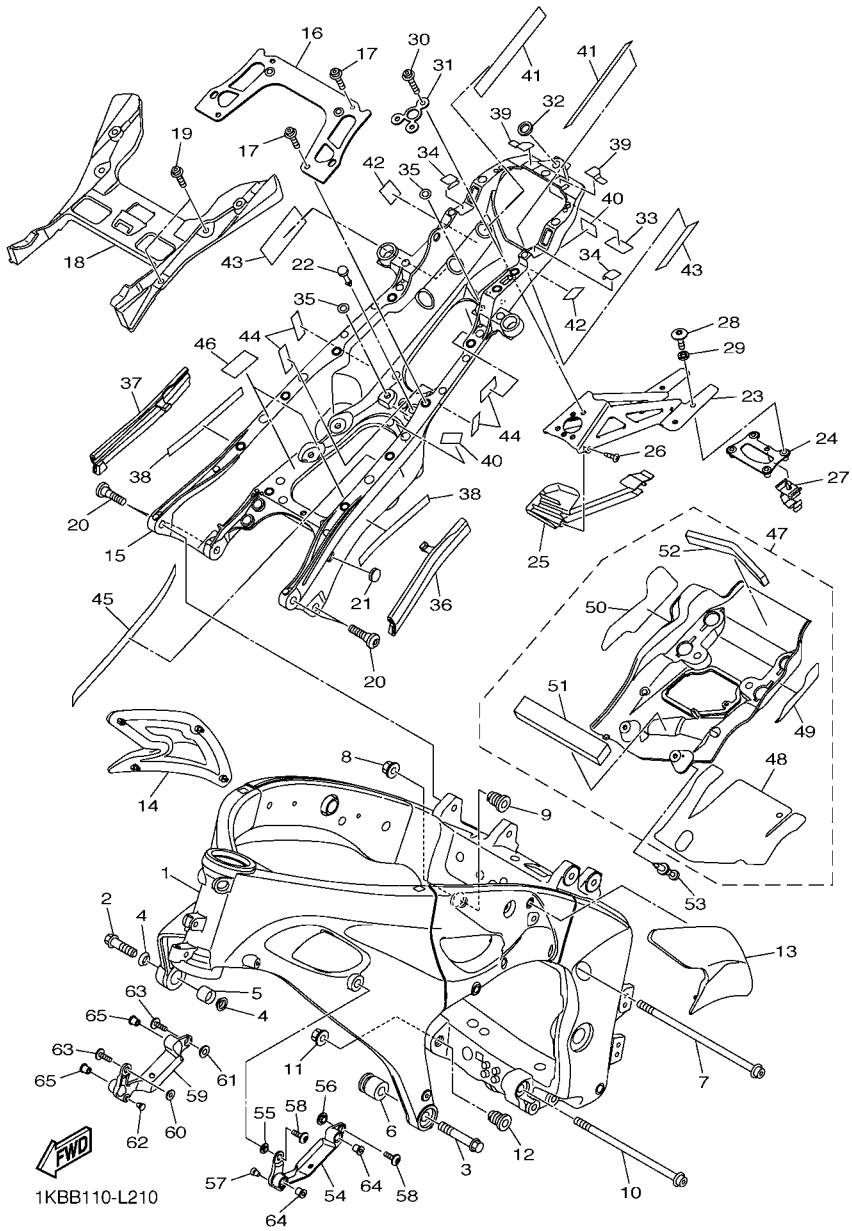


FIG. 21 FRAME

REF. NO.	PART NO.	DESCRIPTION	2SG7	2SG8	REMARKS
54	14B-2836F-00	BRACKET 3	1	1	
55	90387-06217	COLLAR	1	1	
56	90560-08251	SPACER	1	1	
57	90338-06018	PLUG	1	1	
58	90111-06145	BOLT,HEX. SOCKET BUTTON	2	2	
59	14B-2836G-00	BRACKET 4	1	1	
60	90387-06217	COLLAR	1	1	
61	90560-08251	SPACER	1	1	
62	90338-06018	PLUG	1	1	
63	90111-06145	BOLT,HEX. SOCKET BUTTON	2	2	
64	90179-05013	NUT	2	2	
65	90179-05013	NUT	2	2	



1KBB110-L210

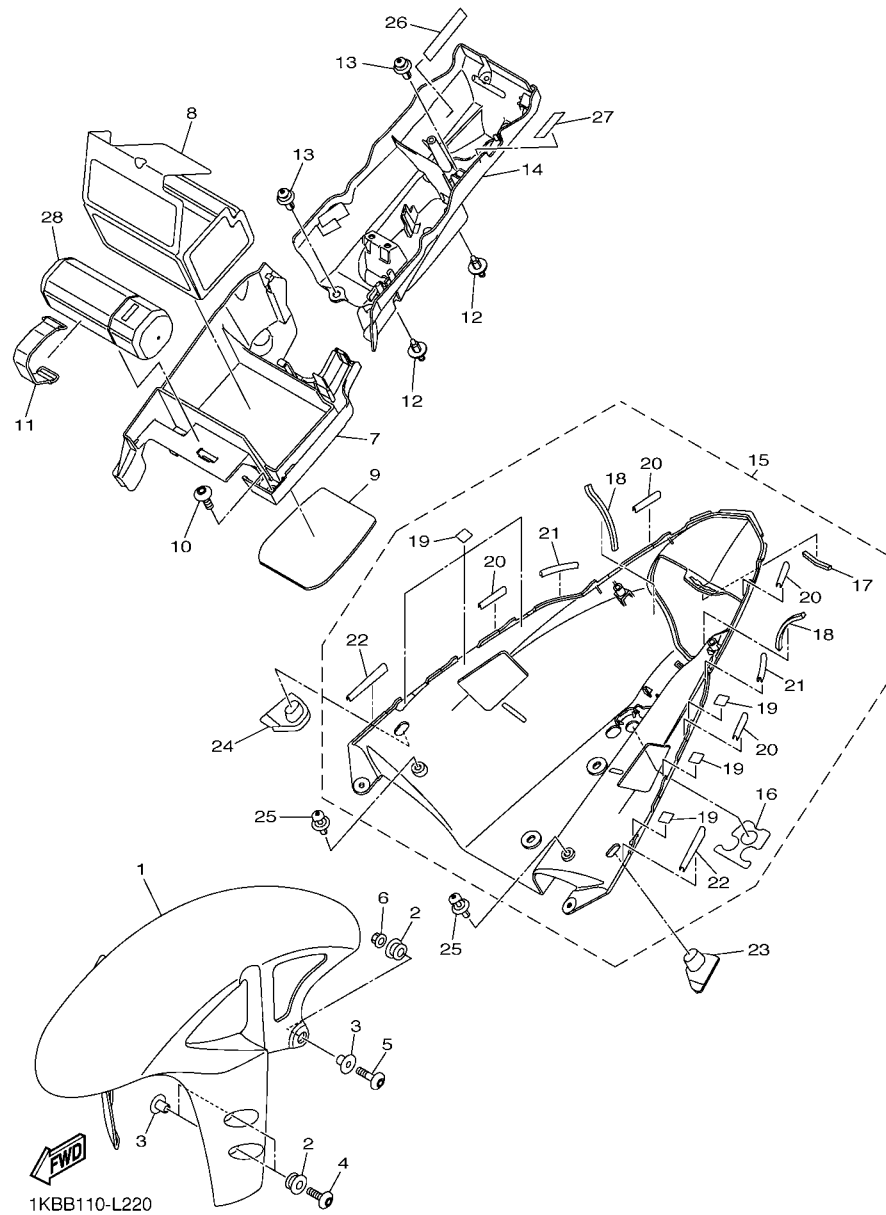


FIG. 22 FENDER

REF. NO.	PART NO.	DESCRIPTION	2SG7	2SG8	REMARKS
1	14B-21511-00-P2	FENDER, FRONT	1	1	UR FOR DPBMC
	14B-21511-00-P0	FENDER, FRONT	1	1	UR SMX FOR VRC1
	14B-21511-00-P5	FENDER, FRONT	1	1	UR FOR MNM3
2	90480-12072	GROMMET	6	6	
3	90387-065J6	COLLAR	6	6	
4	90111-06043	BOLT,HEX. SOCKET BUTTON	4	4	
5	90111-06030	BOLT,HEX. SOCKET BUTTON	2	2	
6	95702-06500	NUT, FLANGE	2	2	
7	14B-8212B-00	BOX, BATTERY 1	1	1	
8	1KB-82122-00	SEAT, BATTERY	1	1	
9	14B-82176-20	DAMPER	1	1	
10	90149-06302	SCREW	2	2	
11	5JJ-82131-00	BAND, BATTERY	1	1	
12	90269-07077	RIVET	2	2	
13	90269-07012	RIVET	2	2	
14	14B-8212C-00	BOX, BATTERY 2	1	1	
15	14B-21600-00-P2	REAR FENDER ASSY.	1	1	UR FOR DPBMC
	14B-21600-00-P6	REAR FENDER ASSY.	1	1	UR FOR VRC1
	14B-21600-00-P7	REAR FENDER ASSY.	1	1	UR FOR MNM3
16	14B-21669-00	.SEAL	1	1	
17	4GY-2174X-00	.DAMPER	1	1	
18	3CV-28372-00	.DAMPER	2	2	
19	4C8-21735-00	.SEAL 2	6	6	
20	5VY-21732-00	.SEAL 1	4	4	
21	5PW-21732-00	.SEAL 1	2	2	
22	14B-21732-00	.SEAL 1	2	2	
23	14B-21639-00	DAMPER 2	1	1	

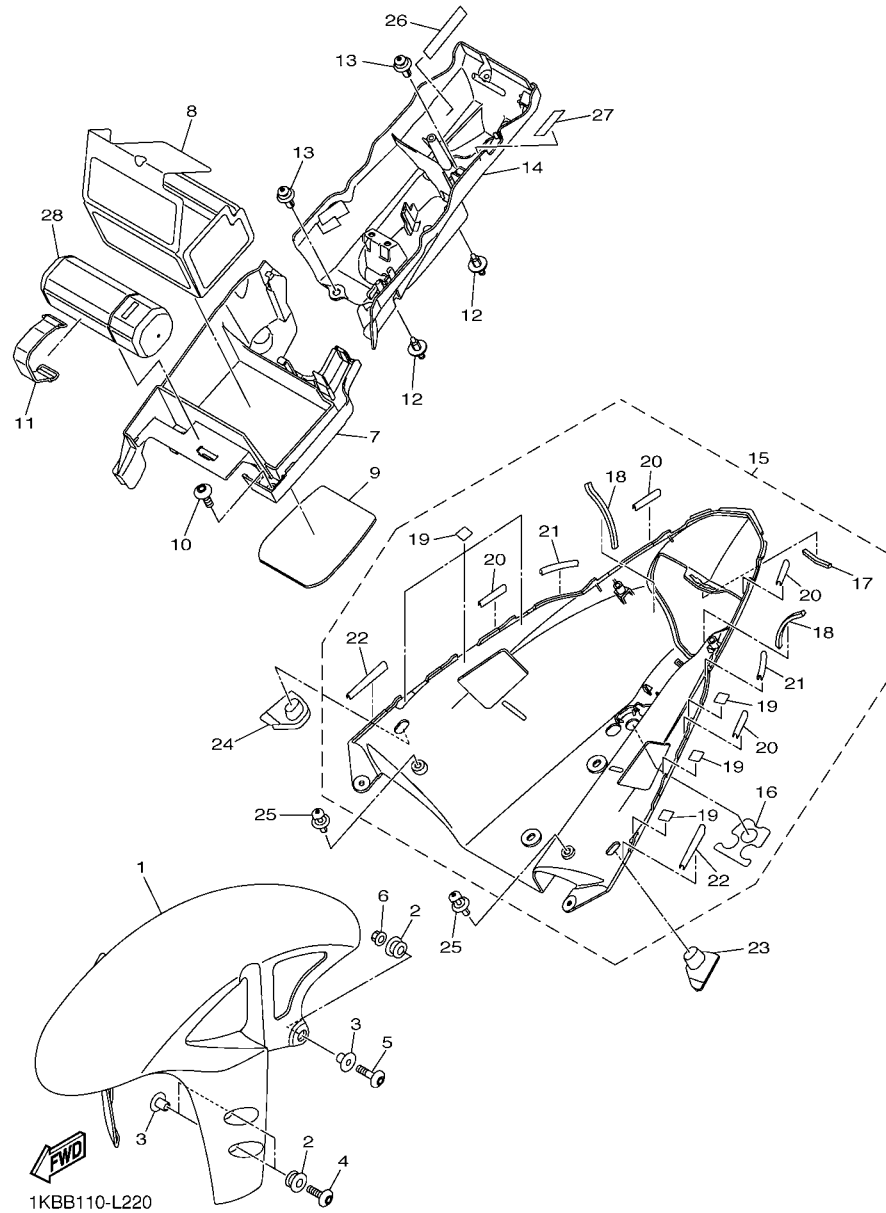


FIG. 22 FENDER

REF. NO.	PART NO.	DESCRIPTION	2SG7	2SG8			REMARKS
24	14B-21649-00	DAMPER	1	1			
25	90269-07076	RIVET	2	2			
26	3JJ-28446-A1	LABEL, CAUTION	1	1			
27	4BR-24877-A0	LABEL, CAUTION	1	1			
28	14B-28100-00	TOOL KIT	1	1			

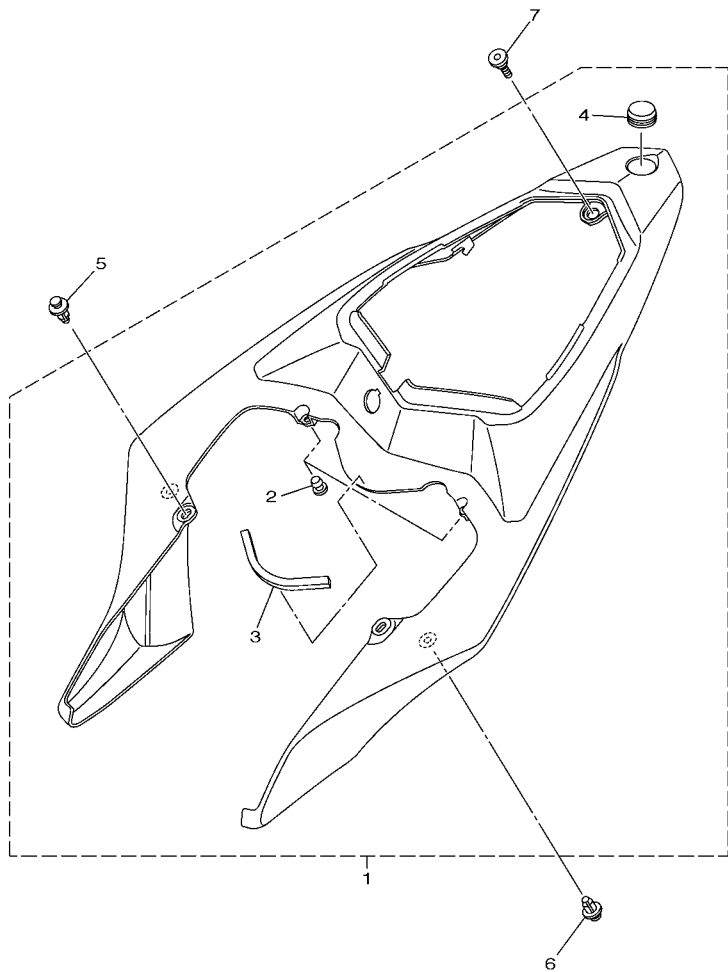


FIG. 23 SIDE COVER

REF. NO.	PART NO.	DESCRIPTION	2SG7	2SG8			REMARKS
1	14B-21710-00-P2	SIDE COVER ASSY 1	1	1			UR FOR DPBMC
	14B-21710-00-P7	SIDE COVER ASSY 1	1	1			UR FOR VRC1
	14B-21710-20-P0	SIDE COVER ASSY 1	1	1			UR MBL2 FOR MNM3
2	90338-06018	.PLUG	2	2			
3	4C8-21747-00	.DAMPER	1	1			
4	4KN-2836B-00	.TUNING FORK MARK	1	1			UR FOR DPBMC,VRC1
	4KN-2836B-10	.TUNING FORK MARK	1	1			UR MBL2 FOR MNM3
5	90269-06081	RIVET	2	2			
6	90269-06001	RIVET	2	2			
7	90109-06248	BOLT	1	1			



14B1300-H230

FIG. 24 REAR ARM

REF. NO.	PART NO.	DESCRIPTION	2SG7	2SG8	REMARKS
1	14B-22110-00-P0	REAR ARM COMP.	1	1	MBL2
2	90101-08013	BOLT	2	2	
3	95302-08600	NUT	2	2	
4	90201-08057	WASHER, PLATE	2	2	
5	14B-22184-00	BUSH	1	1	
6	5VY-22128-00	COVER, THRUST 1	1	1	
7	93317-52897	BEARING	1	1	
8	93317-428U8	BEARING	1	1	
9	93306-97202	BEARING	1	1	
10	99009-42500	CIRCLIP	1	1	
11	93106-28004	OIL SEAL	1	1	
12	90387-22023	COLLAR	1	1	
13	14B-22151-00	SEAL, GUARD	1	1	
14	92012-06016	BOLT, BUTTON HEAD	2	2	
15	90387-062X0	COLLAR	1	1	
16	90387-06066	COLLAR	1	1	
17	90387-06066	COLLAR	1	1	
18	92012-06016	BOLT, BUTTON HEAD	1	1	
19	14B-22311-00	CASE, CHAIN	1	1	
20	90183-05076	NUT, SPRING	1	1	
21	90111-06083	BOLT, HEX. SOCKET BUTTON	1	1	
22	90387-07717	COLLAR	1	1	
23	1KB-2217A-00	ARM, RELAY	1	1	
24	93315-31758	BEARING	2	2	
25	93109-17071	OIL SEAL	2	2	
26	1KB-2217M-00	ARM 1	1	1	
27	93315-31758	BEARING	2	2	

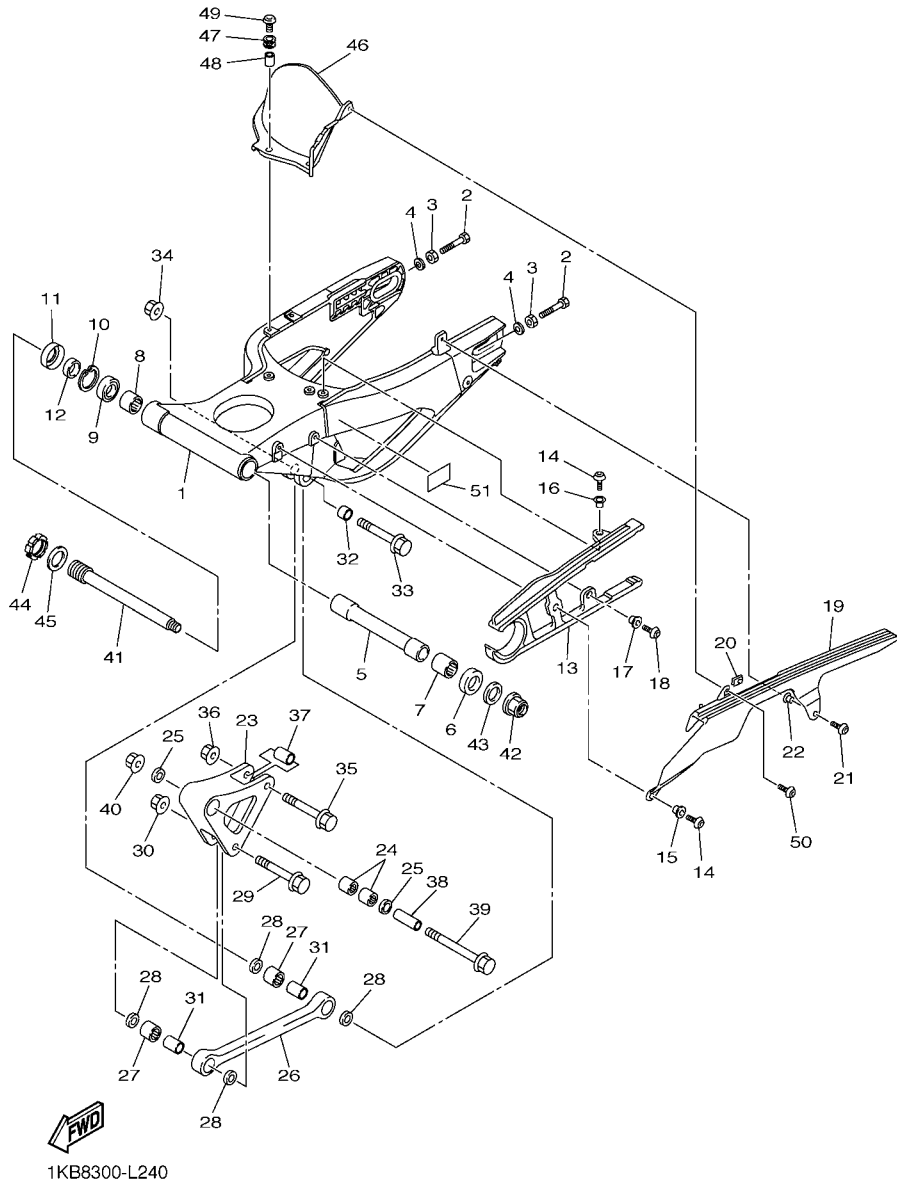


FIG. 24 REAR ARM

REF. NO.	PART NO.	DESCRIPTION	2SG7	2SG8	REMARKS
28	93109-17071	OIL SEAL	4	4	
29	90105-10017	BOLT, FLANGE	1	1	
30	95602-10200	NUT, U FLANGE	1	1	
31	90387-1012A	COLLAR	2	2	
32	90387-1013U	COLLAR	1	1	
33	90105-10018	BOLT, FLANGE	1	1	
34	95602-10200	NUT, U FLANGE	1	1	
35	90105-10017	BOLT, FLANGE	1	1	
36	95602-10200	NUT, U FLANGE	1	1	
37	90387-1012A	COLLAR	1	1	
38	90387-10034	COLLAR	1	1	
39	90105-10150	BOLT, FLANGE	1	1	
40	95602-10200	NUT, U FLANGE	1	1	
41	14B-22141-00	SHAFT, PIVOT	1	1	
42	90185-20008	NUT, SELF-LOCKING	1	1	
43	90201-20026	WASHER, PLATE	1	1	
44	4C8-22252-00	NUT	1	1	
45	90201-30016	WASHER, PLATE	1	1	
46	14B-21650-00	REAR FENDER COMP.	1	1	
47	90480-12005	GROMMET	3	3	
48	90387-06057	COLLAR	3	3	
49	90149-06302	SCREW	3	3	
50	90111-05002	BOLT, HEX. SOCKET BUTTON	1	1	
51	14B-21668-00	LABEL, TIRE	1	1	

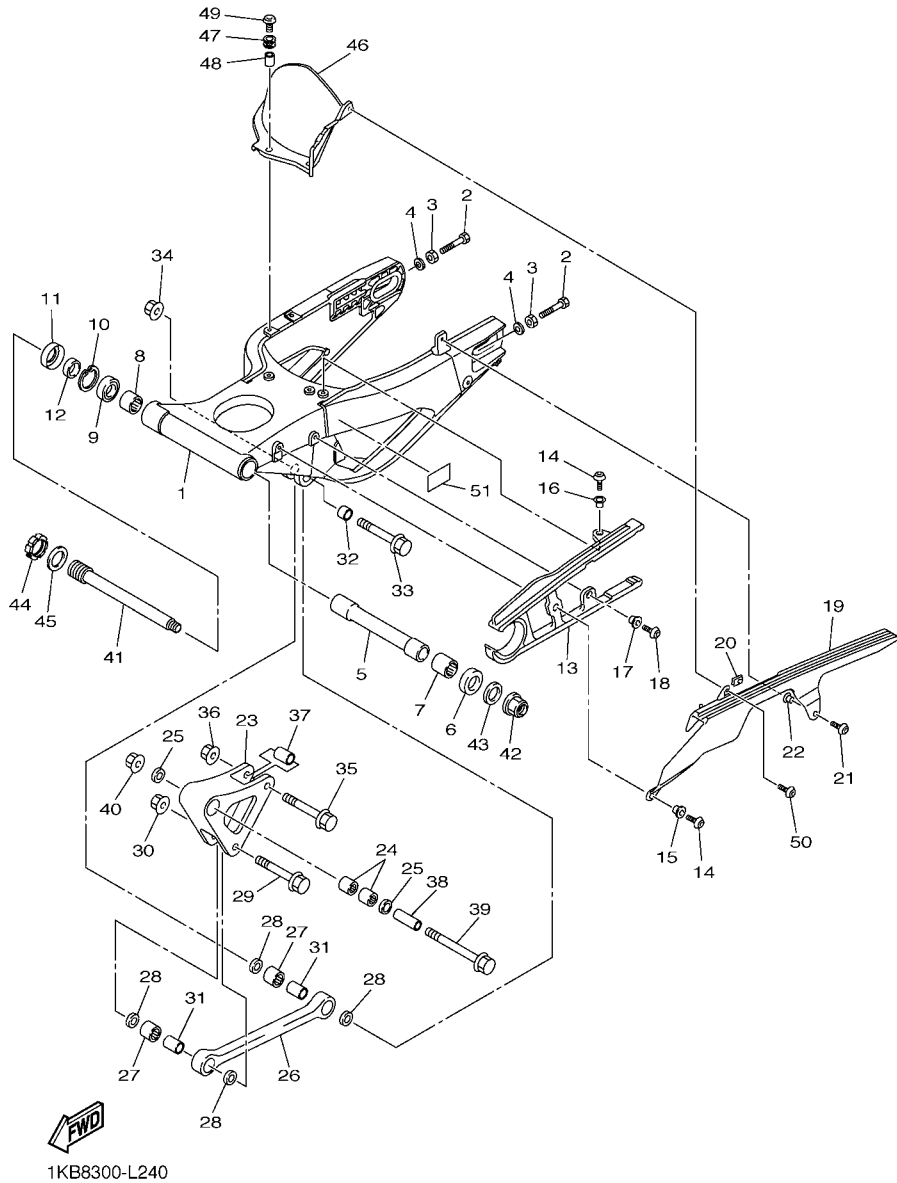
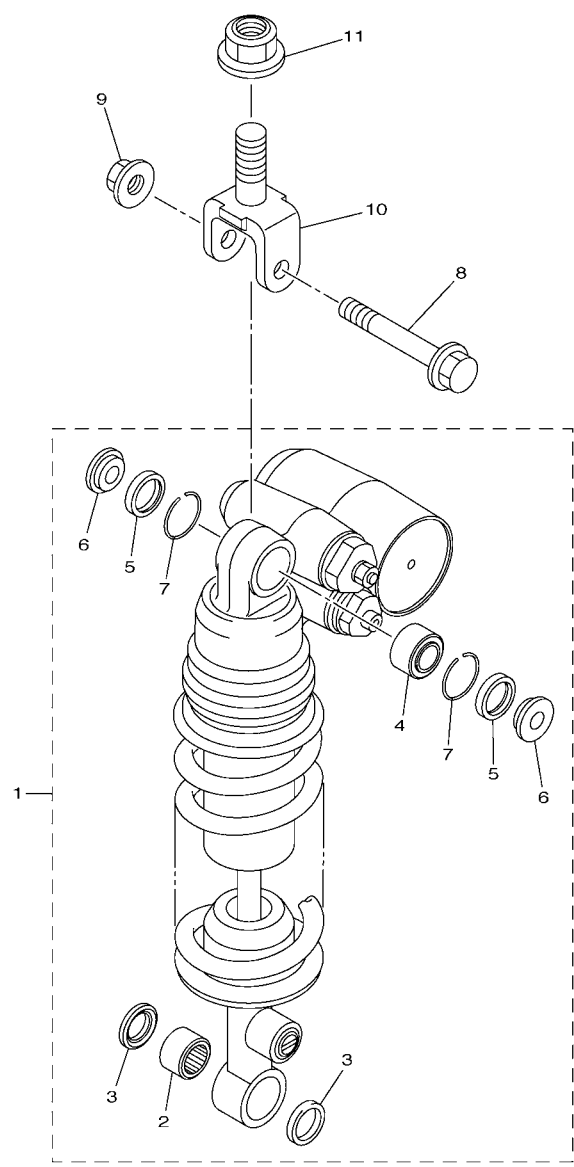


FIG. 25 REAR SUSPENSION

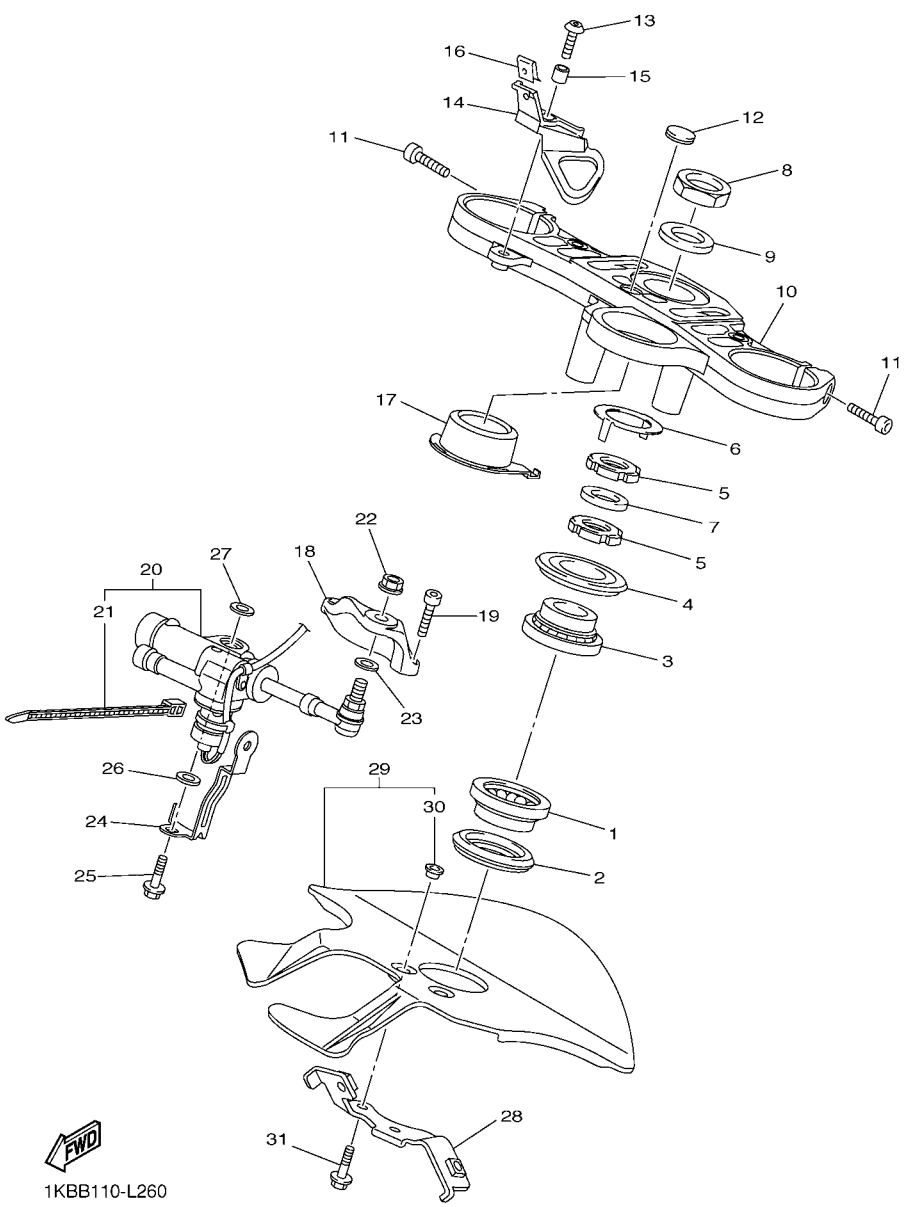


FWD
14B1300-H250

REF. NO.	PART NO.	DESCRIPTION	2SG7	2SG8			REMARKS
1	1KB-22210-10	SHOCK ABSORBER ASSY, REAR	1	1			
2	93315-31758	.BEARING	1	1			
3	93109-17071	.OIL SEAL	2	2			
4	93399-999T4	.BEARING	1	1			
5	93101-18061	.OIL SEAL	2	2			
6	14B-22253-00	.COLLAR, DISTANCE	2	2			
7	93440-30113	.CIRCLIP	2	2			
8	90105-10020	BOLT, FLANGE	1	1			
9	95602-10200	NUT, U FLANGE	1	1			
10	1KB-22219-00	BRACKET, UPPER	1	1			
11	95602-16200	NUT, SELF-LOCKING	1	1			

FIG. 26 STEERING

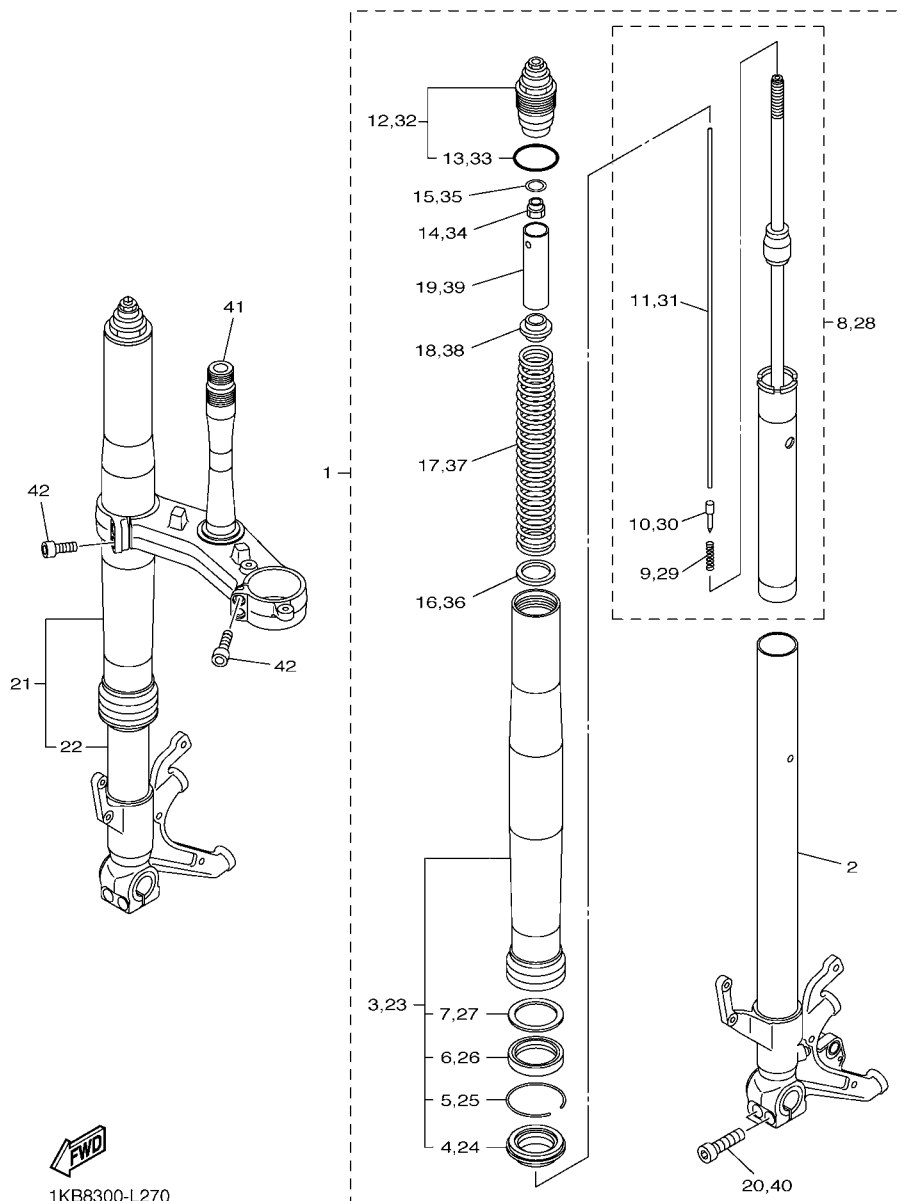
REF. NO.	PART NO.	DESCRIPTION	2SG7	2SG8	REMARKS
1	93399-99957	BEARING	1	1	
2	3FV-23462-00	SEAL, STEERING	1	1	
3	93399-99932	BEARING	1	1	
4	4XV-23415-01	COVER, BALL RACE 1	1	1	
5	90179-30691	NUT	2	2	
6	4XV-23418-00	WASHER, SPECIAL	1	1	
7	90202-30235	WASHER, PLATE	1	1	
8	90170-28419	NUT	1	1	
9	90201-281U8	WASHER, PLATE	1	1	
10	1KB-23435-00	CROWN, HANDLE	1	1	
11	91314-08030	BOLT, HEXAGON SOCKET HEAD	2	2	
12	5GT-2836B-00	TUNING FORK MARK	1	1	
13	90111-06041	BOLT, HEX. SOCKET BUTTON	1	1	
14	5VY-26292-11	STAY	1	1	
15	90387-06057	COLLAR	1	1	
16	90183-050A0	NUT, SPRING	1	1	
17	1KB-82552-00	CAP, SWITCH	1	1	
18	14B-23495-00	STAY, DAMPER	1	1	
19	90110-06175	BOLT, HEXAGON SOCKET HEAD	2	2	
20	14B-23490-10	HANDLEBAR SHIMMY DAMPER ASSY	1	1	
21	90464-20022	.CLAMP	1	1	
22	95602-08200	NUT, SELF-LOCKING	1	1	
23	90201-08M09	WASHER, PLATE	1	1	
24	45B-2331E-00	GUIDE, CABLE	1	1	
25	90105-08108	BOLT, FLANGE	1	1	
26	90201-08676	WASHER, PLATE	1	1	
27	5VY-26398-00	WASHER	1	1	




1KBB110-L260

FIG. 27 FRONT FORK

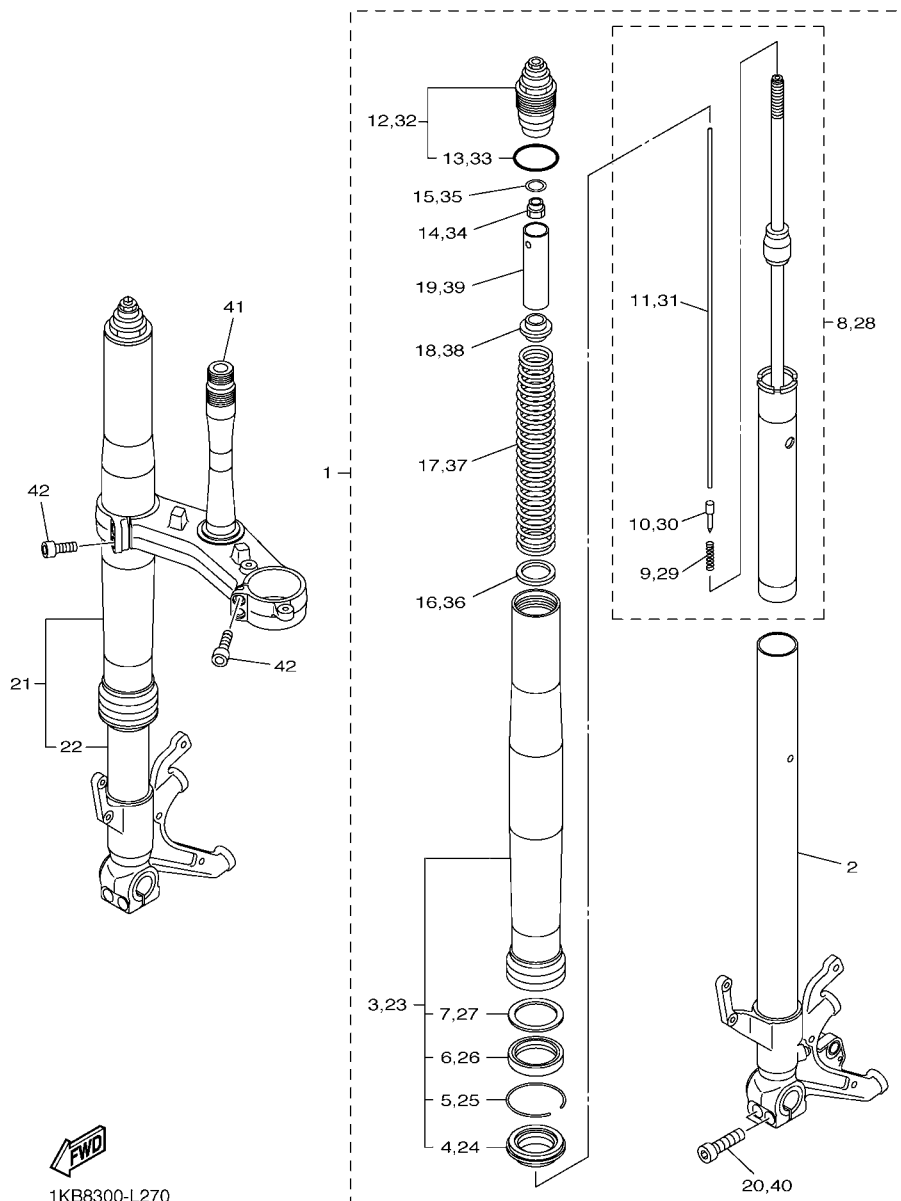
REF. NO.	PART NO.	DESCRIPTION	2SG7	2SG8	REMARKS
1	1KB-23102-00	FRONT FORK ASSY (L.H)	1	1	UR FOR DPBMC,MNM3
	1KB-23102-10	FRONT FORK ASSY (L.H)	1	1	UR FOR VRC1
2	1KB-23110-01	.INNER TUBE COMP.1	1	1	
3	14B-23106-00	.OUTER TUBE COMP.	1	1	UR FOR DPBMC,MNM3
	14B-23106-10	.OUTER TUBE COMP.	1	1	UR FOR VRC1
4	4TX-23144-01	..SEAL, DUST	1	1	
5	4TX-23156-00	..RING, SNAP	1	1	
6	5VX-23145-00	..OIL SEAL	1	1	
7	4TX-23115-00	..GUIDE, COVER UPPER	1	1	
8	1KB-2315K-00	.CYL. COMP.,2	1	1	
9	14B-2319M-00	..SPRING, VALVE	1	1	
10	14B-23109-00	..VALVE	1	1	
11	14B-2318Y-00	..PLUNGER	1	1	
12	14B-23111-00	.BOLT, CAP	1	1	
13	93210-41N50	..O-RING	1	1	
14	13S-23393-00	..NUT, SPECIAL	1	1	
15	13S-2332N-00	.PLATE, VALVE 2	1	1	
16	90201-25291	.WASHER, PLATE	1	1	
17	14B-23141-00	.SPRING, FRONT FORK	1	1	
18	13S-23142-00	.SEAT, SPRING UPPER	1	1	
19	14B-23118-00	.SPACER	1	1	
20	91314-08035	.BOLT, HEXAGON SOCKET HEAD	2	2	
21	1KB-23103-00	FRONT FORK ASSY (R.H)	1	1	UR FOR DPBMC,MNM3
	1KB-23103-10	FRONT FORK ASSY (R.H)	1	1	UR FOR VRC1
22	1KB-23120-01	.INNER TUBE COMP.2	1	1	
23	14B-23106-00	.OUTER TUBE COMP.	1	1	UR FOR DPBMC,MNM3
	14B-23106-10	.OUTER TUBE COMP.	1	1	UR FOR VRC1



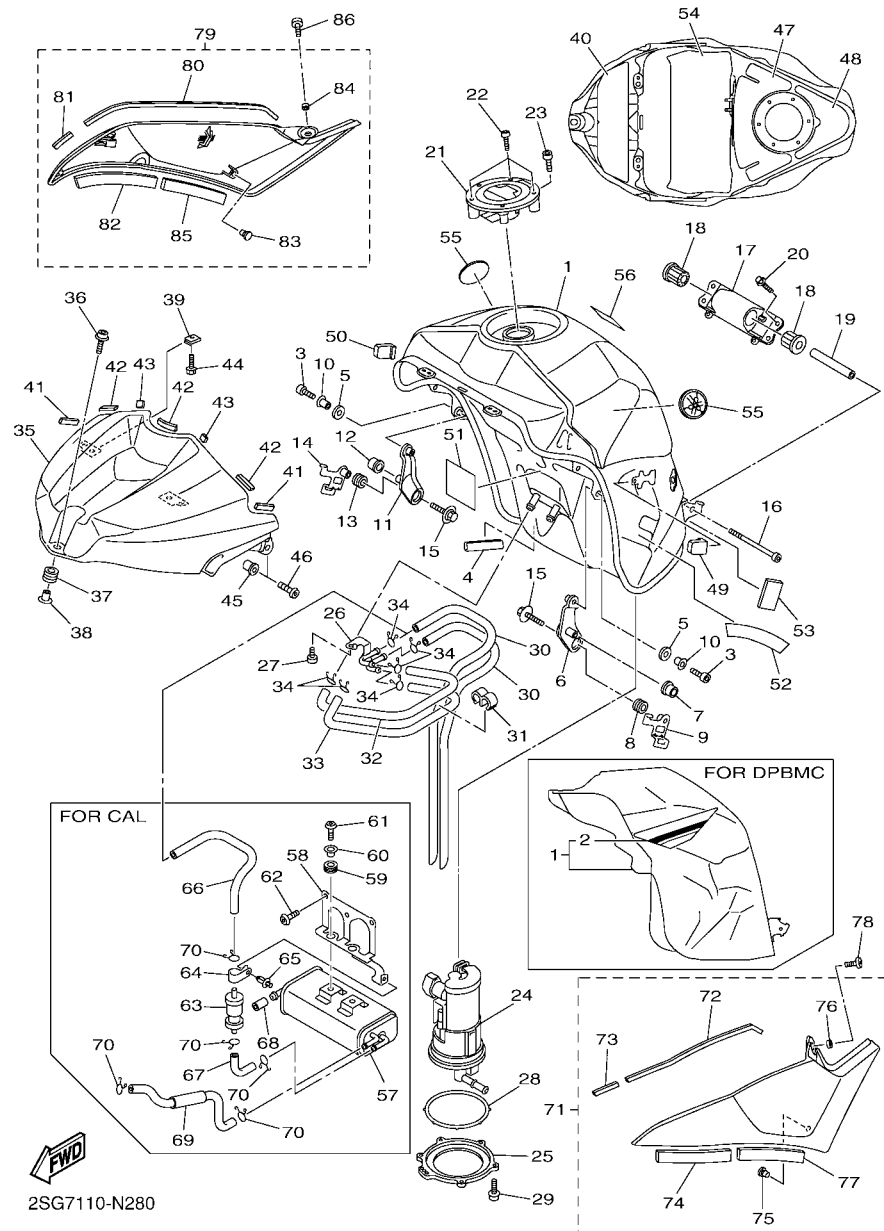
1KB8300-L270

FIG. 27 FRONT FORK

REF. NO.	PART NO.	DESCRIPTION	2SG7	2SG8	REMARKS
24	4TX-23144-01	..SEAL, DUST	1	1	
25	4TX-23156-00	..RING, SNAP	1	1	
26	5VX-23145-00	..OIL SEAL	1	1	
27	4TX-23115-00	..GUIDE, COVER UPPER	1	1	
28	1KB-2315L-00	.CYL. COMP.,3	1	1	
29	14B-2319M-00	..SPRING, VALVE	1	1	
30	14B-23109-00	..VALVE	1	1	
31	14B-2318Y-00	..PLUNGER	1	1	
32	14B-2311J-00	.BOLT, CAP 2	1	1	
33	93210-41N50	..O-RING	1	1	
34	13S-23393-00	.NUT, SPECIAL	1	1	
35	13S-2332N-00	.PLATE, VALVE 2	1	1	
36	90201-25291	.WASHER, PLATE	1	1	
37	14B-23141-00	.SPRING, FRONT FORK	1	1	
38	13S-23142-00	.SEAT, SPRING UPPER	1	1	
39	14B-23118-00	..SPACER	1	1	
40	91314-08035	.BOLT, HEXAGON SOCKET HEAD	2	2	
41	14B-23340-00	UNDER BRACKET COMP.	1	1	
42	91314-08030	BOLT, HEXAGON SOCKET HEAD	4	4	



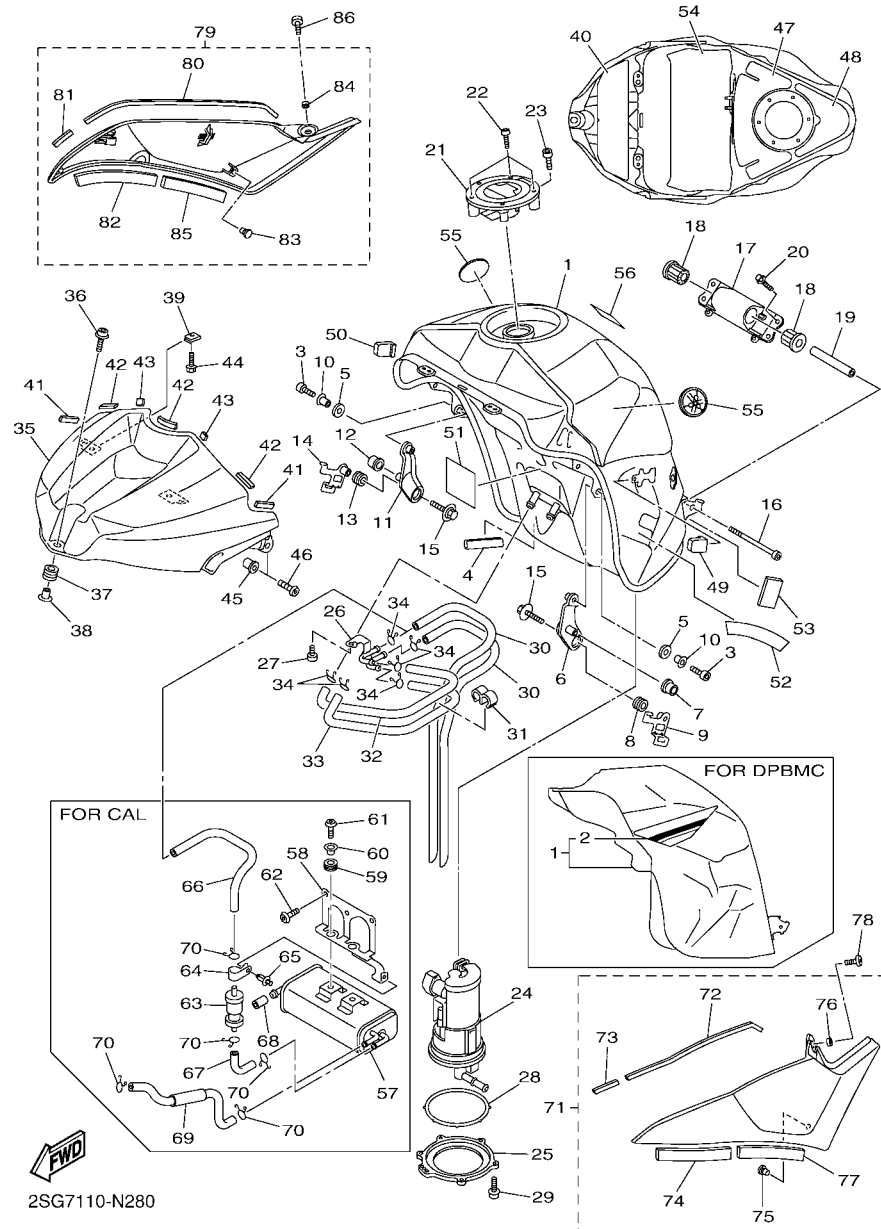
1KB8300-L270



2SG7110-N280

FIG. 28 FUEL TANK

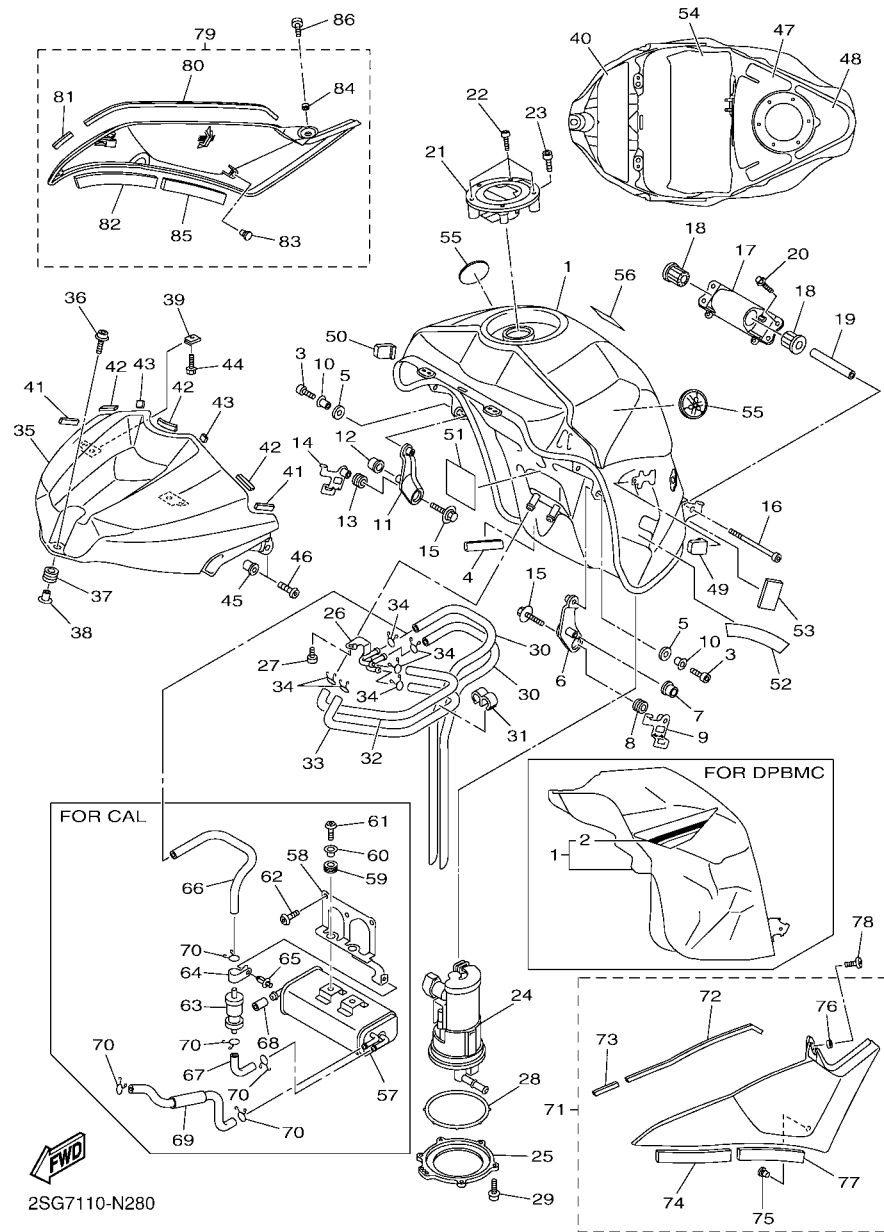
REF. NO.	PART NO.	DESCRIPTION	2SG7	2SG8	REMARKS
1	14B-Y2410-00-07	FUEL TANK COMP.	1	1	UR BWC1 FOR DPBMC
	14B-YK241-00-P5	FUEL TANK COMP.	1	1	UR FOR VRC1
	14B-24110-00-P4	FUEL TANK COMP.	1	1	UR FOR MNM3
2	2SG-24240-00	.GRAPHIC SET	1	1	FOR DPBMC
3	91312-06016	BOLT	2	2	
4	4BP-24188-00	MOLD, FUEL TANK	1	1	
5	5VY-24183-00	DAMPER, LOCATING 3	2	2	
6	14B-24191-10	BRACKET, FUEL TANK 1	1	1	
7	5VY-24181-00	DAMPER, LOCATING 1	1	1	
8	90480-10542	GROMMET	1	1	
9	14B-21161-00	HOLDER, CABLE	1	1	
10	90387-06143	COLLAR	2	2	
11	14B-24192-10	BRACKET, FUEL TANK 2	1	1	
12	5VY-24181-00	DAMPER, LOCATING 1	1	1	
13	90480-10542	GROMMET	1	1	
14	14B-21162-00	HOLDER, CLUTCH CABLE	1	1	
15	90119-06262	BOLT, WITH WASHER	2	2	
16	90110-06378	BOLT, HEXAGON SOCKET HEAD	1	1	
17	14B-2413Y-10	BRACKET, TANK FITTING	1	1	
18	5SL-24183-00	DAMPER, LOCATING 3	2	2	
19	90387-06055	COLLAR	1	1	
20	90110-06163	BOLT, HEXAGON SOCKET HEAD	4	4	
21	39P-24602-00	CAP ASSY	1	1	
22	90110-05112	BOLT, HEXAGON SOCKET HEAD	3	3	
23	91312-05010	BOLT	1	1	
24	14B-13907-20	FUEL PUMP COMP.	1	1	
25	13S-24491-00	BRACKET, FUEL PUMP	1	1	



2SG7110-N280

FIG. 28 FUEL TANK

REF. NO.	PART NO.	DESCRIPTION	2SG7	2SG8	REMARKS
26	14B-24135-00	CLAMP 1	1	1	
27	90110-05030	BOLT, HEXAGON SOCKET HEAD	1	1	
28	19B-24486-01	O-RING	1	1	
29	90110-05028	BOLT, HEXAGON SOCKET HEAD	6	6	
30	14B-24312-00	PIPE 2	2		
	14B-24312-00	PIPE 2		1	FOR CALIFORNIA
31	90464-09M31	CLAMP	1	1	
32	14B-24313-00	PIPE 3	1		
	14B-24313-10	PIPE 3		1	FOR CALIFORNIA
33	14B-24314-00	PIPE 4	1	1	
34	90467-09006	CLIP	6	6	
35	14B-2171A-00-P4	COVER, TOP	1	1	UR BWC1 FOR DPBMC
	14B-2171A-00-P8	COVER, TOP	1	1	UR FOR VRC1
	14B-2171A-00-P0	COVER, TOP	1	1	UR MBL2 FOR MNM3
36	90110-06233	BOLT, HEXAGON SOCKET HEAD	1	1	
37	90480-12023	GROMMET	1	1	
38	90387-06203	COLLAR	1	1	
39	90183-05074	NUT, SPRING	2	2	
40	14B-2414H-00	DAMPER, PLATE 1	1	1	
41	4C8-24182-00	DAMPER, LOCATING 2	2	2	
42	3XV-21778-00	DAMPER, LOCATING 1	3	3	
43	14B-24181-00	DAMPER, LOCATING 1	2	2	
44	90119-05015	BOLT, WITH WASHER	2	2	
45	90179-05523	NUT	2	2	
46	98902-05014	SCREW, BIND	2	2	
47	14B-2414N-20	DAMPER, PLATE 4	1	1	
48	14B-2414P-20	DAMPER, PLATE 5	1	1	



2SG7110-N280

FIG. 28 FUEL TANK

REF. NO.	PART NO.	DESCRIPTION	2SG7	2SG8	REMARKS
49	5PW-2411J-01	DAMPER, SIDE COVER	1	1	
50	5PW-2411J-01	DAMPER, SIDE COVER	1	1	
51	5VU-21747-00	DAMPER	1	1	
52	14B-2414K-10	DAMPER, PLATE 3	2	2	
53	14B-2414G-00	SEAL	2	2	
54	90520-08002	DAMPER, PLATE	1	1	
55	5SL-2413B-00	EMBLEM	2	2	
56	4C8-2118K-00	LABEL, CAUTION	1	1	
57	14B-24170-00	CANISTER ASSY	1		FOR CALIFORNIA
58	14B-2419F-00	BRACKET, CANISTOR	1		FOR CALIFORNIA
59	90480-13018	GROMMET	2		FOR CALIFORNIA
60	90387-062L2	COLLAR	2		FOR CALIFORNIA
61	92012-06016	BOLT, BUTTON HEAD	2		FOR CALIFORNIA
62	90111-06140	BOLT,HEX. SOCKET BUTTON	3		FOR CALIFORNIA
63	5PX-24180-00	ROLL OVER VALVE ASSY	1		FOR CALIFORNIA
64	90461-15139	CLAMP	1		FOR CALIFORNIA
65	90269-05001	RIVET	1		FOR CALIFORNIA
66	14B-24315-00	PIPE 5	1		FOR CALIFORNIA
67	14B-24316-00	PIPE 6	1		FOR CALIFORNIA
68	90445-11418	HOSE (L18)	1		FOR CALIFORNIA
69	14B-1443J-00	PIPE	1		FOR CALIFORNIA
70	90467-09006	CLIP	5		FOR CALIFORNIA
71	14B-24106-10	TANK SIDE COVER ASSY 1	1	1	
72	2C0-2414H-00	.DAMPER, PLATE 1	1	1	
73	14B-2414J-00	.DAMPER, PLATE 2	1	1	
74	2C0-2414J-00	.DAMPER, PLATE 2	1	1	
75	90338-06018	.PLUG	1	1	

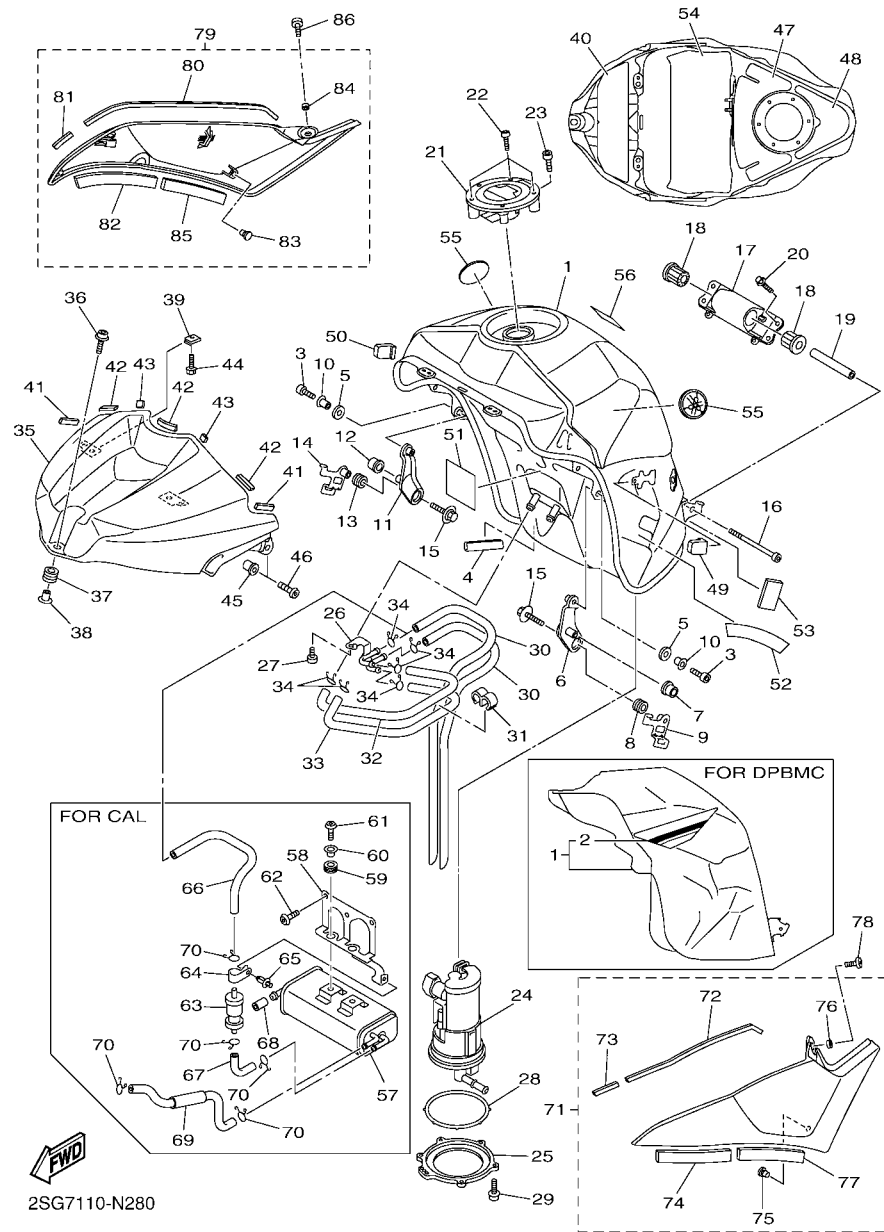


FIG. 28 FUEL TANK

REF. NO.	PART NO.	DESCRIPTION	2SG7	2SG8	REMARKS
76	90560-05N33	.SPACER	1	1	
77	90520-10005	.DAMPER, PLATE	1	1	
78	98902-05008	SCREW, BIND	1	1	
79	14B-24108-10	TANK SIDE COVER ASSY 2	1	1	
80	2C0-2414H-00	.DAMPER, PLATE 1	1	1	
81	14B-2414J-00	.DAMPER, PLATE 2	1	1	
82	2C0-2414J-00	.DAMPER, PLATE 2	1	1	
83	90338-06018	.PLUG	1	1	
84	90560-05N33	.SPACER	1	1	
85	90520-10005	.DAMPER, PLATE	1	1	
86	98902-05008	SCREW, BIND	1	1	

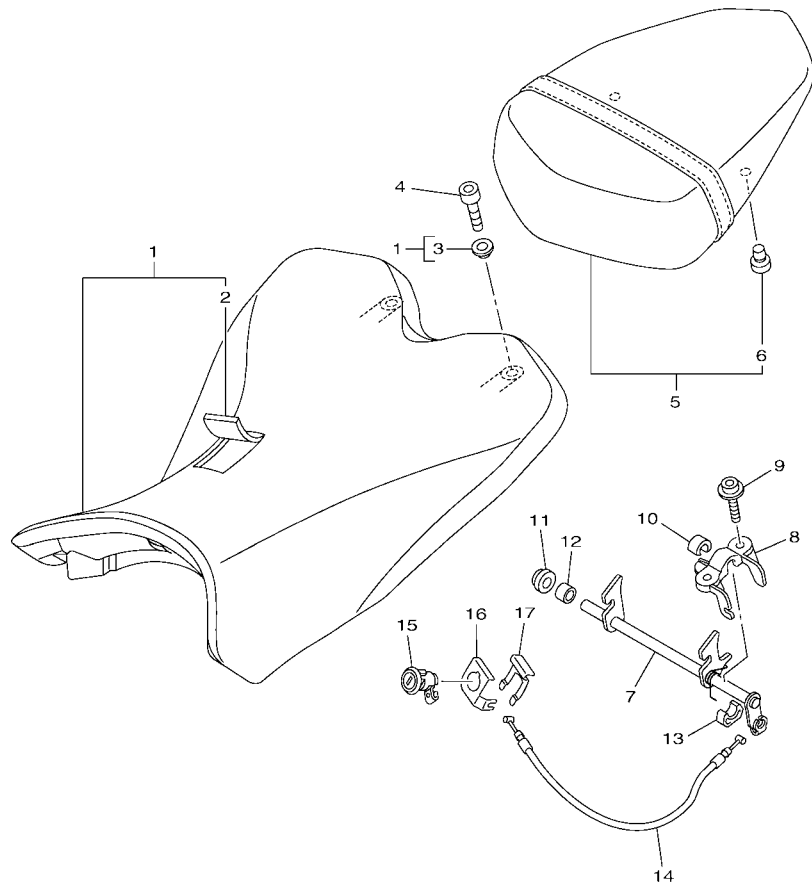


FIG. 29 SEAT

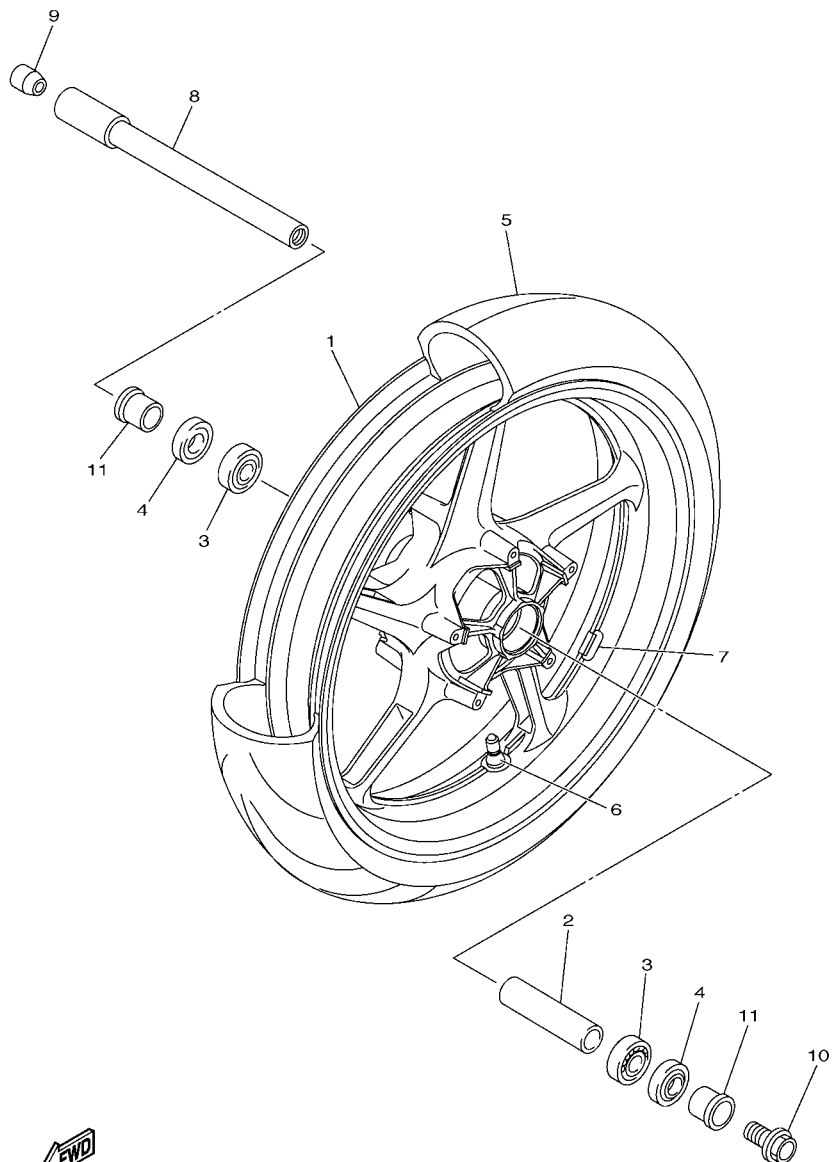
REF. NO.	PART NO.	DESCRIPTION	2SG7	2SG8	REMARKS
1	14B-24710-00	SINGLE SEAT ASSY	1	1	
2	14B-24711-00	.COVER, SINGLE SEAT	1	1	
3	90387-06066	.COLLAR	2	2	
4	90110-06258	BOLT, HEXAGON SOCKET HEAD	2	2	
5	14B-24750-00	TANDEM SEAT ASSY	1	1	
6	5SL-24723-00	.DAMPER, SEAT	2	2	
7	1KB-24780-00	SEAT LOCK ASSY	1	1	
8	2C0-24792-00	PLATE	1	1	
9	90110-06163	BOLT, HEXAGON SOCKET HEAD	2	2	
10	14B-24725-00	SPACER 1	1	1	
11	13S-24725-00	SPACER 1	1	1	
12	90560-08213	SPACER	1	1	
13	13S-24847-00	HOLDER 1	1	1	
14	14B-2478E-00	CABLE, SEAT LOCK	1	1	
15	5VY-W2470-00	ROTOR SET	1	1	
16	5VY-2117K-01	STAY, LOCK	1	1	
17	5VY-2176V-00	SPRING, LOCK 2	1	1	



2SG1300-N290

FIG. 30 FRONT WHEEL

REF. NO.	PART NO.	DESCRIPTION			REMARKS
			2SG7	2SG8	
1	1KB-25168-00-2X	CAST WHEEL, FRONT	1	1	LGB/RW FOR DPMMC
	1KB-25168-00-1X	CAST WHEEL, FRONT	1	1	LGB/HTR FOR VRC1
	1KB-25168-00-P1	CAST WHEEL, FRONT	1	1	LN YM9 FOR MNM3
2	4XV-25117-00	SPACER, BEARING	1	1	
3	93306-07208	BEARING	2	2	
4	93106-28043	OIL SEAL	2	2	
5	94112-17111	TIRE(120/70 ZR17M/C 58W)	1	1	DUNLOP
6	93900-00030	VALVE, RIM (TR412)	1	1	TAIHEIYO
7	5MT-25398-00	BALANCER, WHEEL (10G)	1	1	UN
	5MT-25398-10	BALANCER, WHEEL (20G)	1	1	UN
	5MT-25398-20	BALANCER, WHEEL (30G)	1	1	UN
8	2C0-25181-00	AXLE, WHEEL	1	1	
9	5PW-25188-00	CAP	1	1	
10	90105-14002	BOLT, FLANGE	1	1	
11	90387-22016	COLLAR	2	2	



14BR300-K300

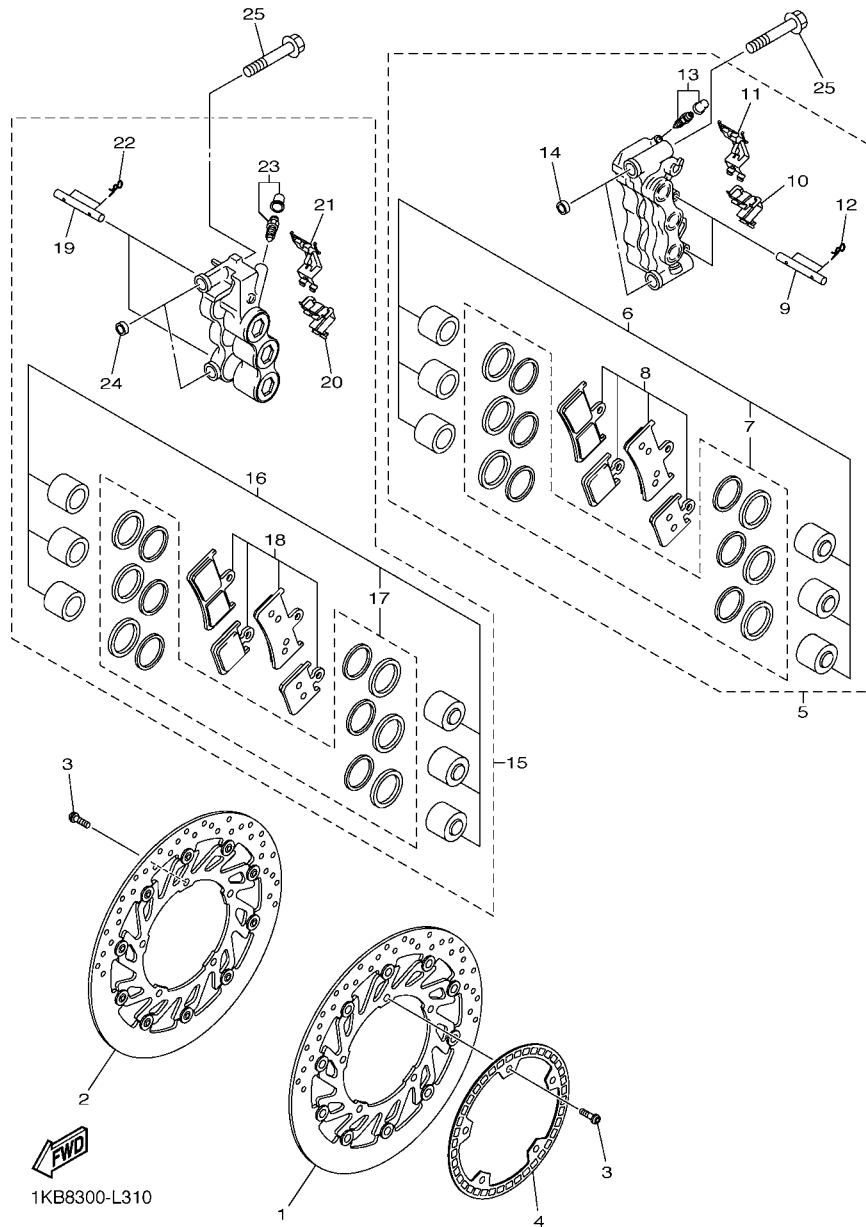
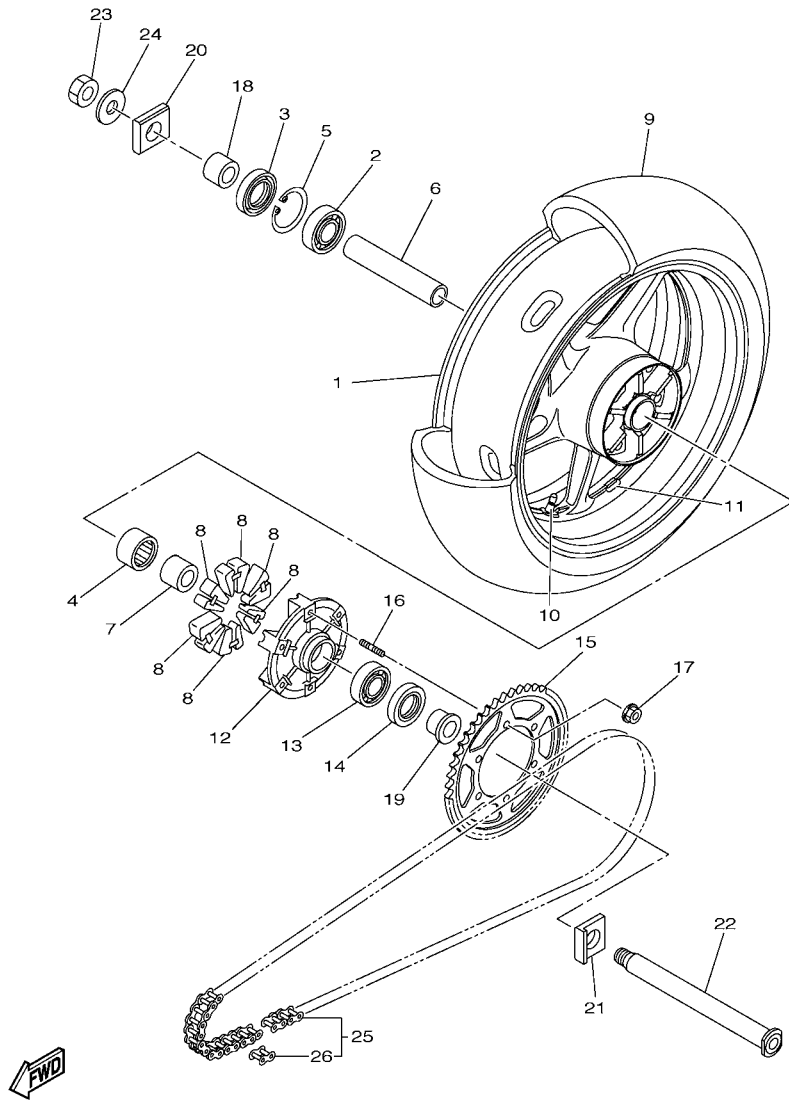


FIG. 31 FRONT BRAKE CALIPER

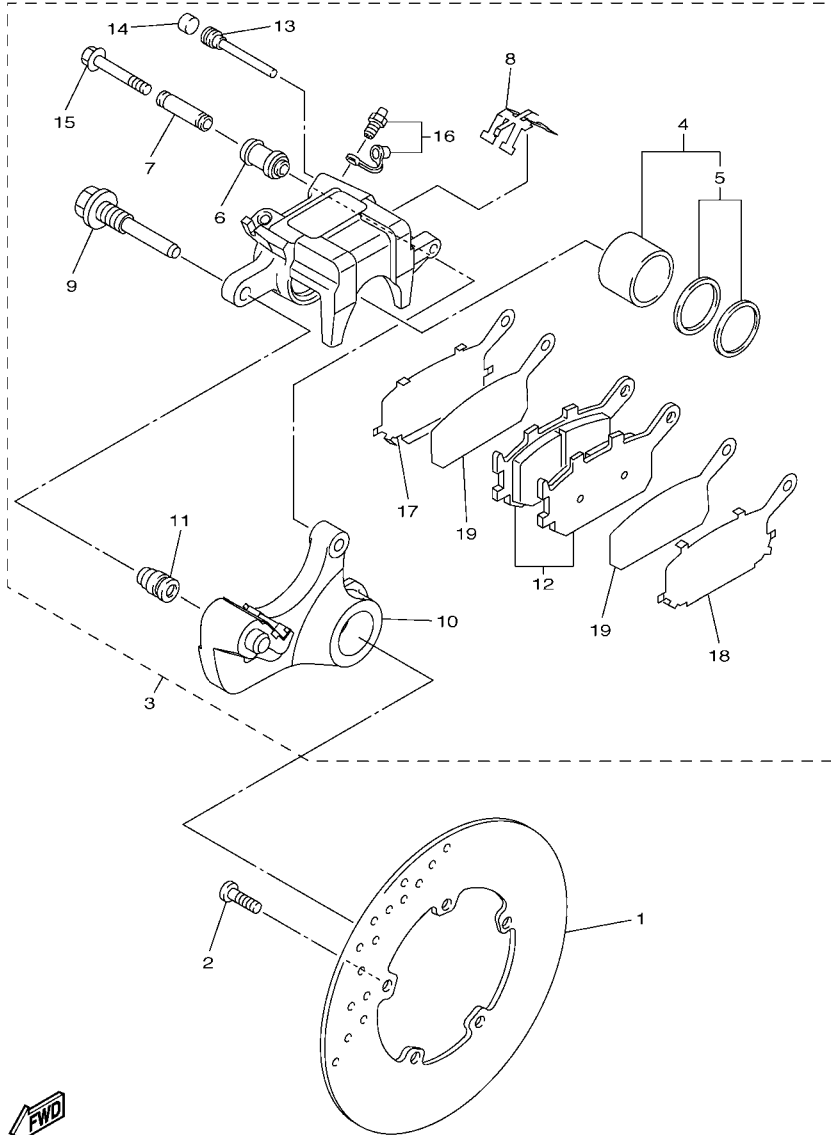
REF. NO.	PART NO.	DESCRIPTION	2SG7	2SG8	REMARKS
1	1KB-2581T-00	DISK BRAKE ASSY	1	1	
2	1KB-2581U-00	DISK BRAKE ASSY (RIGHT)	1	1	
3	90149-06043	SCREW	10	10	
4	1KB-2517G-00	ROTOR, SENSOR	1	1	
5	4C8-2580T-10	CALIPER ASSY (LEFT)	1	1	
6	4C8-25802-00	.PISTON ASSY, CALIPER	1	1	
7	4C8-25803-00	..CALIPER SEAL KIT	1	1	
8	4C8-25805-00	.BRAKE PAD KIT	1	1	
9	4SV-25924-00	.PIN, PAD	2	2	
10	4C8-25919-00	.SUPPORT, PAD	1	1	
11	2S3-25919-10	.SUPPORT, PAD	1	1	
12	3GM-25925-00	.CLIP	4	4	
13	1J3-W0048-00	.BLEED SCREW KIT	1	1	
14	5VY-2583B-00	.PIN, KNOCK	2	2	
15	4C8-2580U-10	CALIPER ASSY (RIGHT)	1	1	
16	4C8-25802-00	.PISTON ASSY, CALIPER	1	1	
17	4C8-25803-00	..CALIPER SEAL KIT	1	1	
18	4C8-25805-00	.BRAKE PAD KIT	1	1	
19	4SV-25924-00	.PIN, PAD	2	2	
20	4C8-25919-00	.SUPPORT, PAD	1	1	
21	2S3-25919-10	.SUPPORT, PAD	1	1	
22	3GM-25925-00	.CLIP	4	4	
23	1J3-W0048-00	.BLEED SCREW KIT	1	1	
24	5VY-2583B-00	.PIN, KNOCK	2	2	
25	90105-10397	BOLT, FLANGE	4	4	



1KB8300-L320

FIG. 32 REAR WHEEL

REF. NO.	PART NO.	DESCRIPTION	2SG7	2SG8	REMARKS
1	5VY-25338-00-5X	CAST WHEEL, REAR	1	1	LGB/RW FOR DPBMC
	5VY-25338-00-4X	CAST WHEEL, REAR	1	1	LGB/HTR FOR VRC1
	5VY-25338-00-P5	CAST WHEEL, REAR	1	1	LNVM9 FOR MNM3
2	93306-20531	BEARING	1	1	
3	93106-40013	OIL SEAL	1	1	
4	93317-43580	BEARING	1	1	
5	93420-61M07	CIRCLIP	1	1	
6	5PW-25317-00	SPACER, BEARING	1	1	
7	4XV-25383-00	COLLAR, WHEEL	1	1	
8	2C0-25364-00	DAMPER	6	6	
9	94119-17072	TIRE(190/55 ZR17 M/C 75W)	1	1	DUNLOP
10	93900-00030	VALVE, RIM (TR412)	1	1	TAIHEIYO
11	5MT-25398-00	BALANCER, WHEEL (10G)	1	1	UN
	5MT-25398-10	BALANCER, WHEEL (20G)	1	1	UN
	5MT-25398-20	BALANCER, WHEEL (30G)	1	1	UN
12	5JJ-25366-00	CLUTCH, HUB	1	1	
13	93306-20531	BEARING	1	1	
14	93106-40013	OIL SEAL	1	1	
15	14B-25447-20	SPROCKET, DRIVEN (47T)	1	1	
16	90116-10048	BOLT, STUD	6	6	
17	90185-10011	NUT, SELF-LOCKING	6	6	
18	90387-28016	COLLAR	1	1	
19	90387-28019	COLLAR	1	1	
20	5VY-25388-00	PULLER, CHAIN 1	1	1	
21	5VY-25389-01	PULLER, CHAIN 2	1	1	
22	4C8-25381-00	AXLE, WHEEL	1	1	
23	90185-24007	NUT, SELF-LOCKING	1	1	



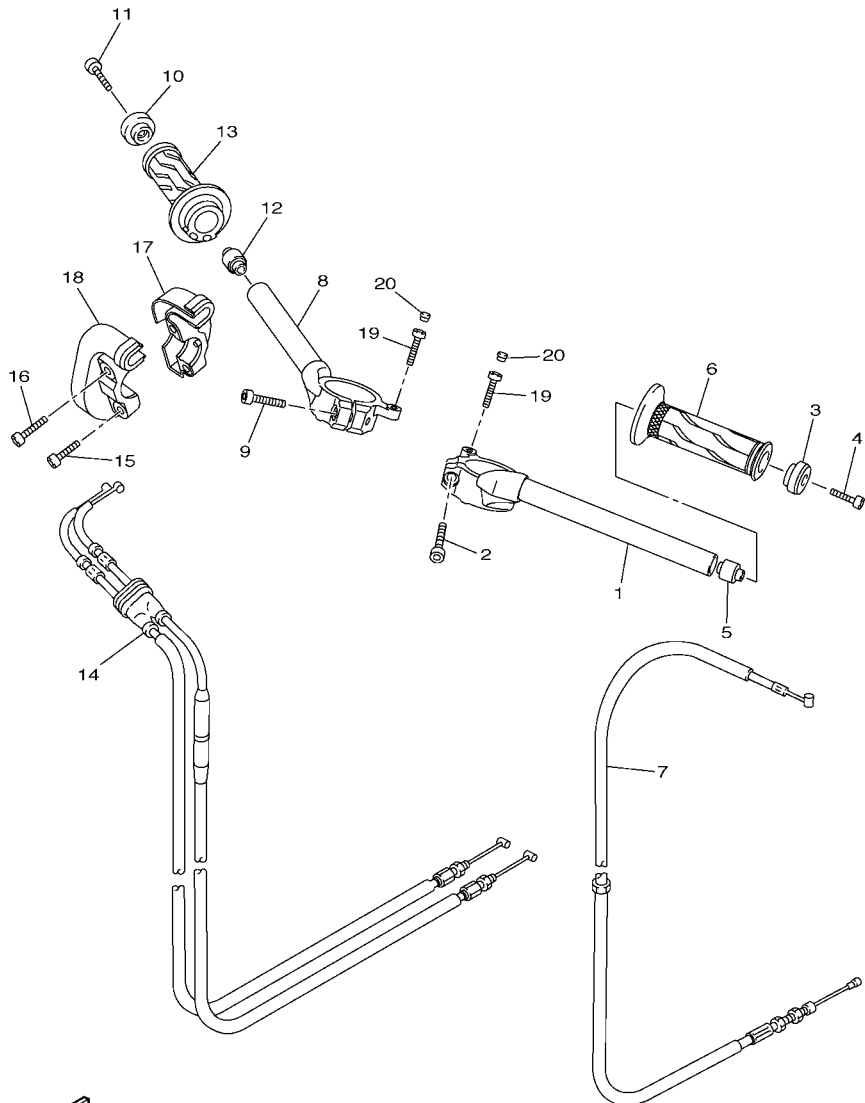
14B1300-H330

FIG. 33 REAR BRAKE CALIPER

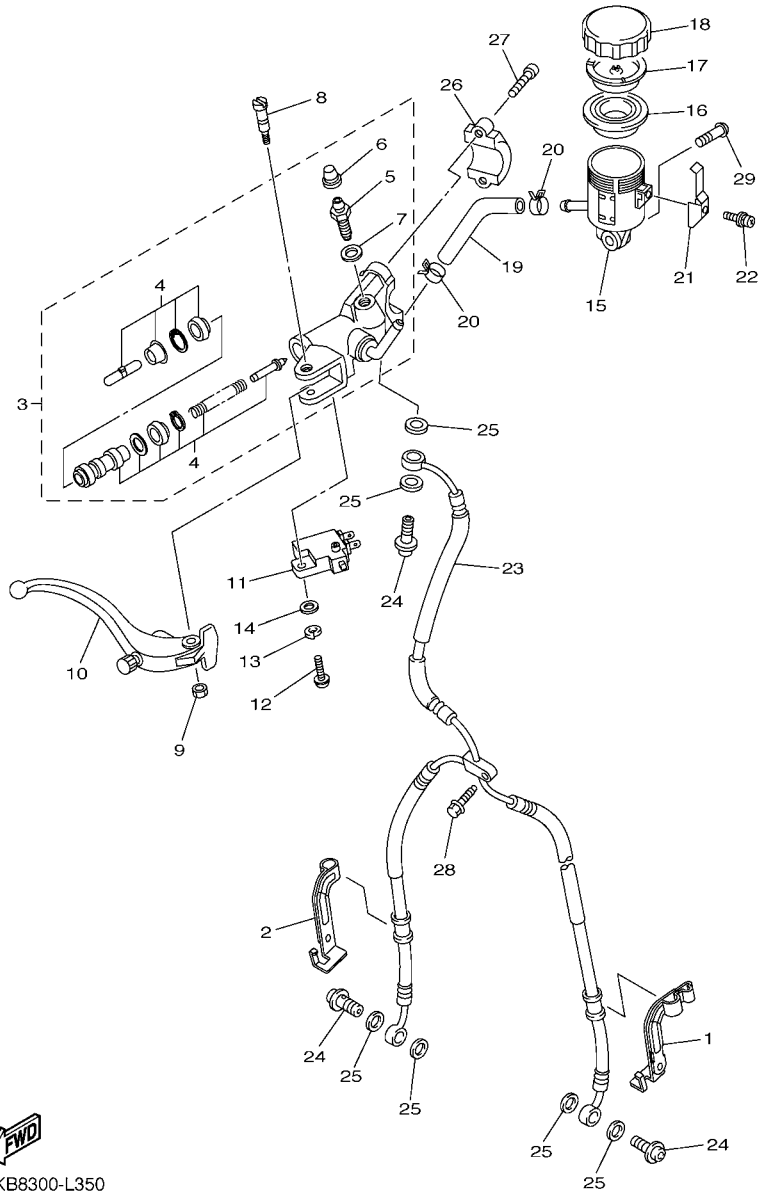
REF. NO.	PART NO.	DESCRIPTION	2SG7	2SG8	REMARKS
1	5SL-2582W-00	DISK, REAR BRAKE 2	1	1	
2	90149-08009	SCREW	5	5	
3	5VY-2580W-12	CALIPER ASSY, REAR 2	1	1	
4	5VY-W0057-00	.PISTON ASSY, CALIPER	1	1	
5	5SL-W0047-00	..CALIPER SEAL KIT	1	1	
6	5SL-25917-00	.BOOT, CALIPER	1	1	
7	5SL-25838-00	.SLEEVE, CALIPER	1	1	
8	5SL-25919-00	.SUPPORT, PAD	1	1	
9	5SL-25914-00	.PIN, SLIDE	1	1	
10	5VY-25921-01	.BRACKET, SUPPORT	1	1	
11	3JD-25917-00	.BOOT, CALIPER	1	1	
12	5VX-W0046-00	.BRAKE PAD KIT 2	1	1	
13	8CR-25924-00	.PIN, PAD	1	1	
14	5DH-25916-00	.PLUG	1	1	
15	5SL-25926-00	.BOLT	1	1	
16	1UY-W0048-00	.BLEED SCREW KIT	1	1	
17	5SL-25827-00	.SHIM, CALIPER	1	1	
18	5SL-25827-10	.SHIM, CALIPER	1	1	
19	5SL-25828-01	.SHIM, CALIPER	2	2	

FIG. 34 STEERING HANDLE & CABLE

REF. NO.	PART NO.	DESCRIPTION	2SG7	2SG8	REMARKS
1	14B-26121-00	HANDLEBAR (LEFT)	1	1	
2	91314-08025	BOLT, HEXAGON SOCKET HEAD	1	1	
3	5PW-26246-10	END, GRIP	1	1	
4	91317-06025	BOLT	1	1	
5	4XV-23434-00	HOLDER, DAMPER	1	1	
6	2C0-26241-00	GRIP (LEFT)	1	1	
7	14B-26335-01	CABLE, CLUTCH	1	1	
8	14B-26122-00	HANDLEBAR (RIGHT)	1	1	
9	91314-08025	BOLT, HEXAGON SOCKET HEAD	1	1	
10	5PW-26246-10	END, GRIP	1	1	
11	91317-06025	BOLT	1	1	
12	4XV-23434-00	HOLDER, DAMPER	1	1	
13	4C8-26240-00	GRIP ASSY	1	1	
14	14B-26302-01	THROTTLE CABLE ASSY	1	1	
15	91317-05020	BOLT	1	1	
16	91317-05025	BOLT	1	1	
17	3LN-26281-01	CAP, GRIP UPPER	1	1	
18	3LN-26282-01	CAP, GRIP UNDER	1	1	
19	91312-06025	BOLT	2	2	
20	2H9-23469-00	CAP, BOLT	2	2	



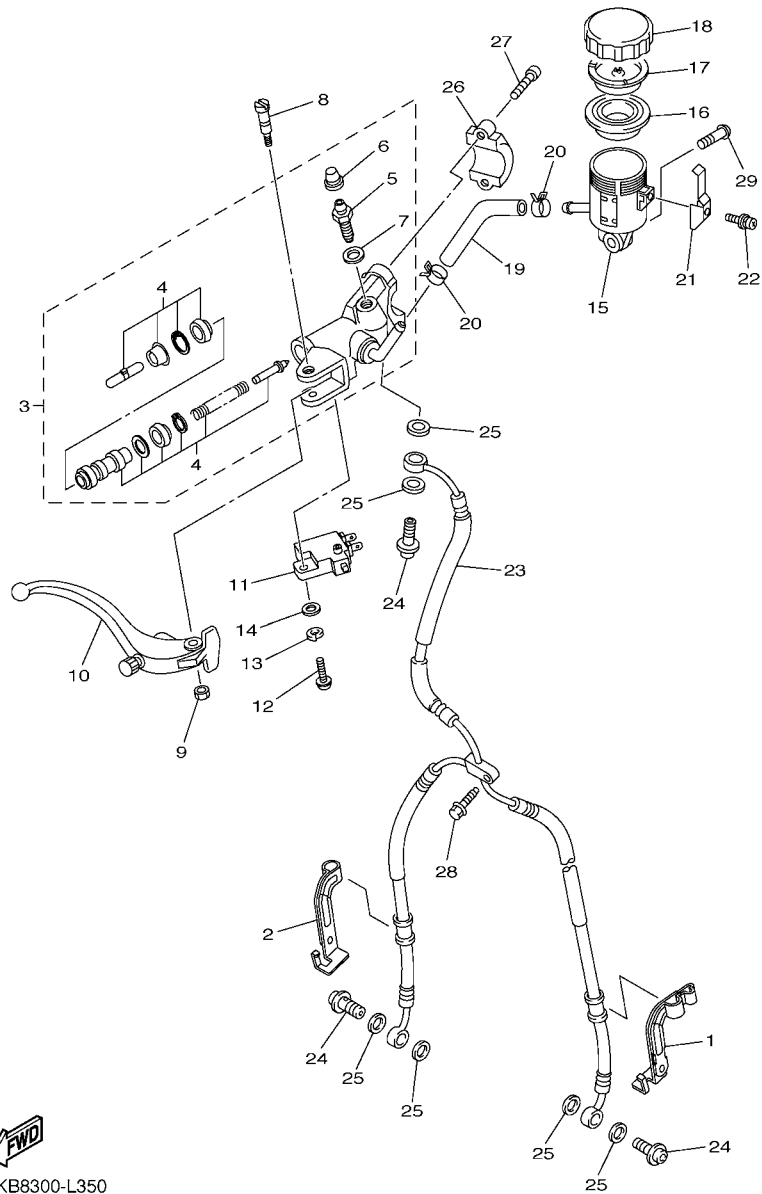
14BR300-K340



1KB8300-L350

FIG. 35 FRONT MASTER CYLINDER

REF. NO.	PART NO.	DESCRIPTION	2SG7	2SG8	REMARKS
1	1KB-25875-00	HOLDER, BRAKE HOSE 1	1	1	
2	14B-25876-00	HOLDER, BRAKE HOSE 2	1	1	
3	14B-W2587-00	MASTER CYLINDER SUB ASSY	1	1	
4	2S3-W0041-00	.CYLINDER KIT, MASTER	1	1	
5	3YK-25824-00	.SCREW, BLEED	1	1	
6	3YK-25825-00	.CAP	1	1	
7	5VY-25975-00	.SEAL 1	1	1	
8	5VY-2589F-01	BOLT, LEVER	1	1	
9	95617-06100	NUT, U	1	1	
10	14B-83922-00	LEVER 2	1	1	
11	4HM-83980-00	FRONT STOP SWITCH ASSY	1	1	
12	98502-04012	SCREW, PAN HEAD	1	1	
13	92902-04100	WASHER, SPRING	1	1	
14	92902-04600	WASHER, PLATE	1	1	
15	5SL-25894-20	TANK, RESERVOIR	1	1	
16	5VY-25854-00	DIAPHRAGM, RESERVOIR	1	1	
17	5VY-25855-00	BUSH, DIAPHRAGM	1	1	
18	5VY-25852-00	CAP, RESERVOIR	1	1	
19	5VY-25895-10	HOSE, RESERVOIR	1	1	
20	90467-120A3	CLIP	2	2	
21	5VY-2589G-00	HOLDER	1	1	
22	5VY-2589H-00	SCREW	1	1	
23	1KB-25872-00	HOSE, BRAKE 1	1	1	
24	90401-10172	BOLT, UNION	3	3	
25	90430-10005	GASKET	6	6	
26	5VS-25867-00	BRACKET, MASTER CYLINDER	1	1	
27	91317-06020	BOLT	2	2	



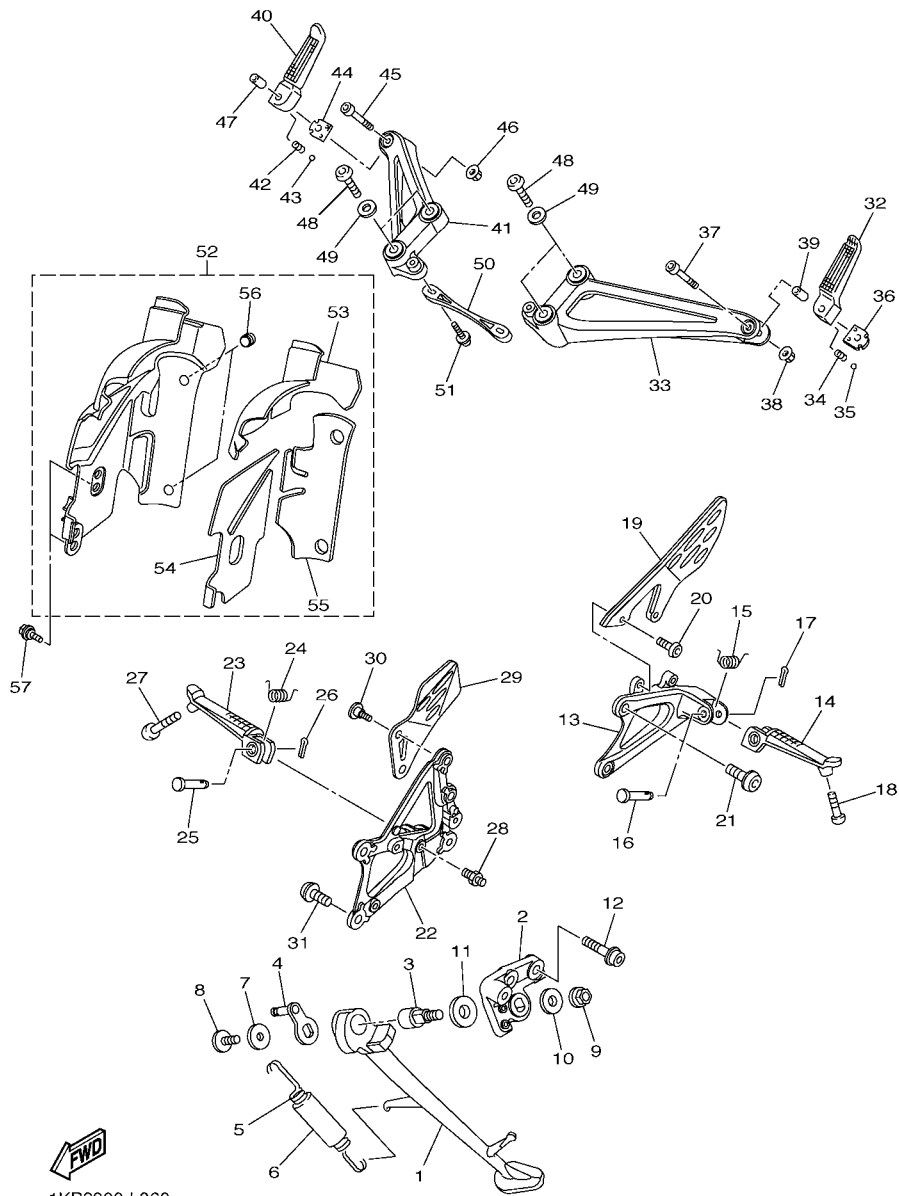
1KB8300-L350

FIG. 35 FRONT MASTER CYLINDER

REF. NO.	PART NO.	DESCRIPTION	2SG7	2SG8	REMARKS
28	90105-06041	BOLT, FLANGE	1	1	
29	90111-05026	BOLT, HEX. SOCKET BUTTON	1	1	

FIG. 36 STAND & FOOTREST

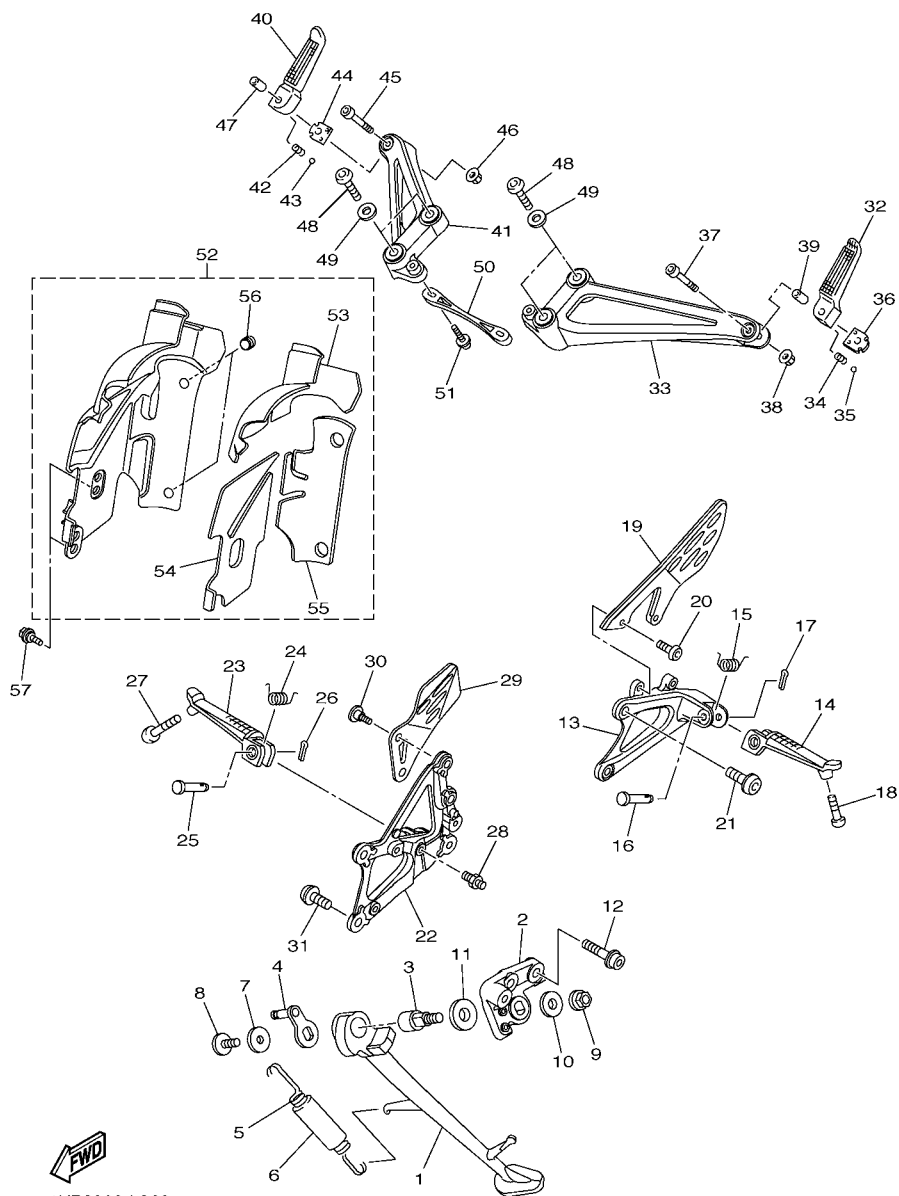
REF. NO.	PART NO.	DESCRIPTION	2SG7	2SG8	REMARKS
1	14B-27311-00	STAND, SIDE	1	1	
2	14B-27321-00	BRACKET, SIDE STAND	1	1	
3	14B-27351-00	GUIDE, SIDE STAND	1	1	
4	14B-27352-00	HOOK, SIDE STAND	1	1	
5	90506-18008	SPRING, TENSION	1	1	
6	90445-19002	HOSE (L60)	1	1	
7	90201-081R9	WASHER, PLATE	1	1	
8	90111-08073	BOLT,HEX. SOCKET BUTTON	1	1	
9	95602-10200	NUT, U FLANGE	1	1	
10	90201-10035	WASHER, PLATE	1	1	
11	90201-146F9	WASHER, PLATE	1	1	
12	90110-10025	BOLT, HEXAGON SOCKET HEAD	2	2	
13	14B-27442-10	BRACKET 2	1	1	
14	1KB-27451-00	FOOTREST	1	1	
15	90508-18134	SPRING, TORSION	1	1	
16	90240-08084	PIN, CLEVIS	1	1	
17	91401-25015	PIN, COTTER	1	1	
18	90109-08174	BOLT	1	1	
19	14B-27445-10	PLATE 1	1	1	
20	90111-06003	BOLT,HEX. SOCKET BUTTON	2	2	
21	90109-085G6	BOLT	2	2	
22	14B-27443-10	BRACKET 3	1	1	
23	1KB-27461-00	FOOTREST	1	1	
24	90508-18135	SPRING, TORSION	1	1	
25	90240-08084	PIN, CLEVIS	1	1	
26	91401-25015	PIN, COTTER	1	1	
27	90109-08174	BOLT	1	1	



1KB8300-L360

FIG. 36 STAND & FOOTREST

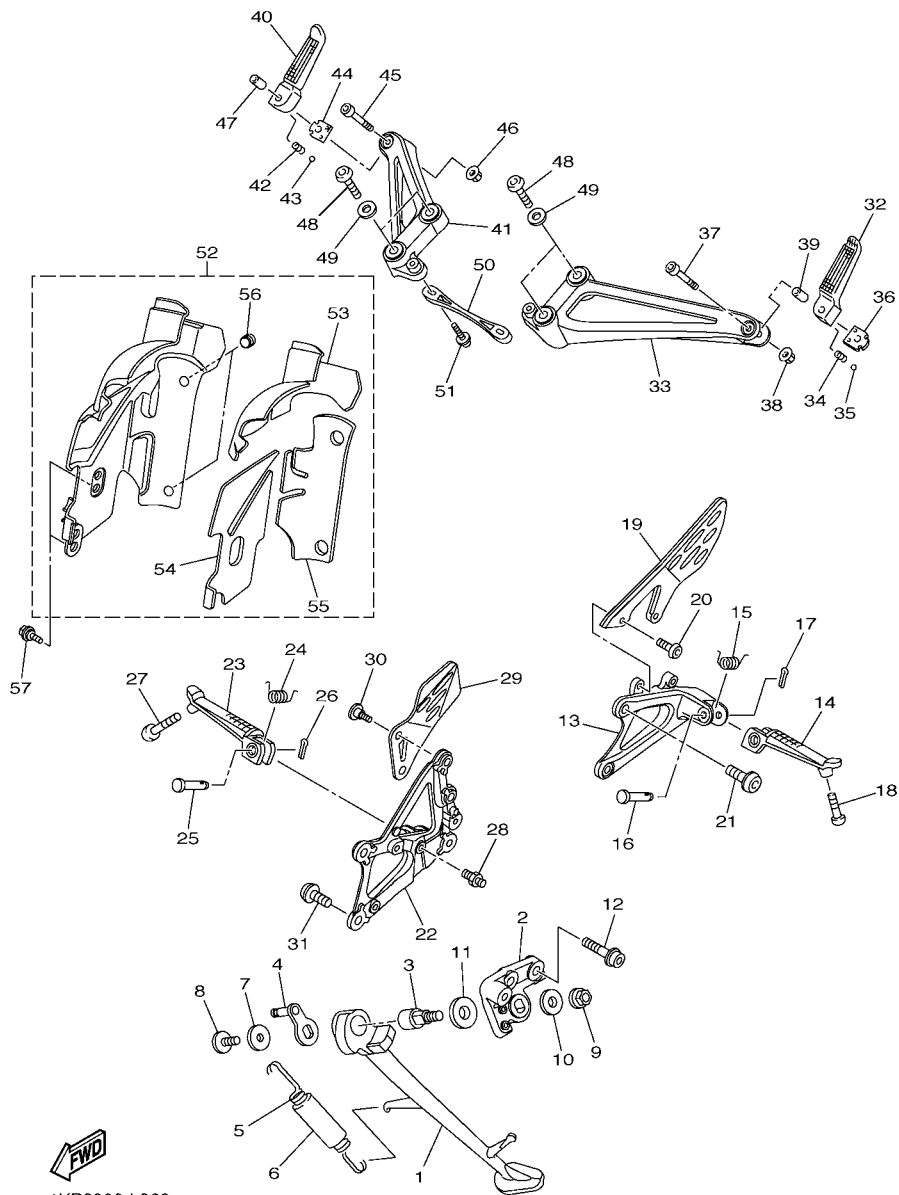
REF. NO.	PART NO.	DESCRIPTION	2SG7	2SG8	REMARKS
28	4C8-27813-00	PIN, PEDAL CRANK	1	1	
29	14B-27446-10	PLATE 2	1	1	
30	90109-066F0	BOLT	2	2	
31	90109-085G6	BOLT	2	2	
32	5JJ-27431-10	FOOTREST, REAR 1	1	1	
33	14B-2741L-10	BRACKET 4	1	1	
34	90501-12743	SPRING, COMPRESSION	1	1	
35	93501-04011	BALL	1	1	
36	5JJ-27437-01	WASHER, SPECIAL	1	1	
37	91312-06035	BOLT	1	1	
38	95602-06200	NUT, SELF-LOCKING	1	1	
39	90387-06697	COLLAR	1	1	
40	5JJ-27441-10	FOOTREST, REAR 2	1	1	
41	14B-2742L-10	BRACKET 5	1	1	
42	90501-12743	SPRING, COMPRESSION	1	1	
43	93501-04011	BALL	1	1	
44	5JJ-27437-01	WASHER, SPECIAL	1	1	
45	91312-06035	BOLT	1	1	
46	95602-06200	NUT, SELF-LOCKING	1	1	
47	90387-06697	COLLAR	1	1	
48	90111-08066	BOLT, HEX. SOCKET BUTTON	4	4	
49	13S-27417-00	WASHER, FOOTREST	4	4	
50	14B-27469-00	REINFORCEMENT 1	1	1	
51	90109-06031	BOLT	2	2	
52	14B-27490-00	PROTECTOR ASSY	1	1	
53	14B-2749A-00	.SEAT 3	1	1	
54	14B-2749B-00	.SEAT 4	1	1	



1KB8300-L360

FIG. 36 STAND & FOOTREST

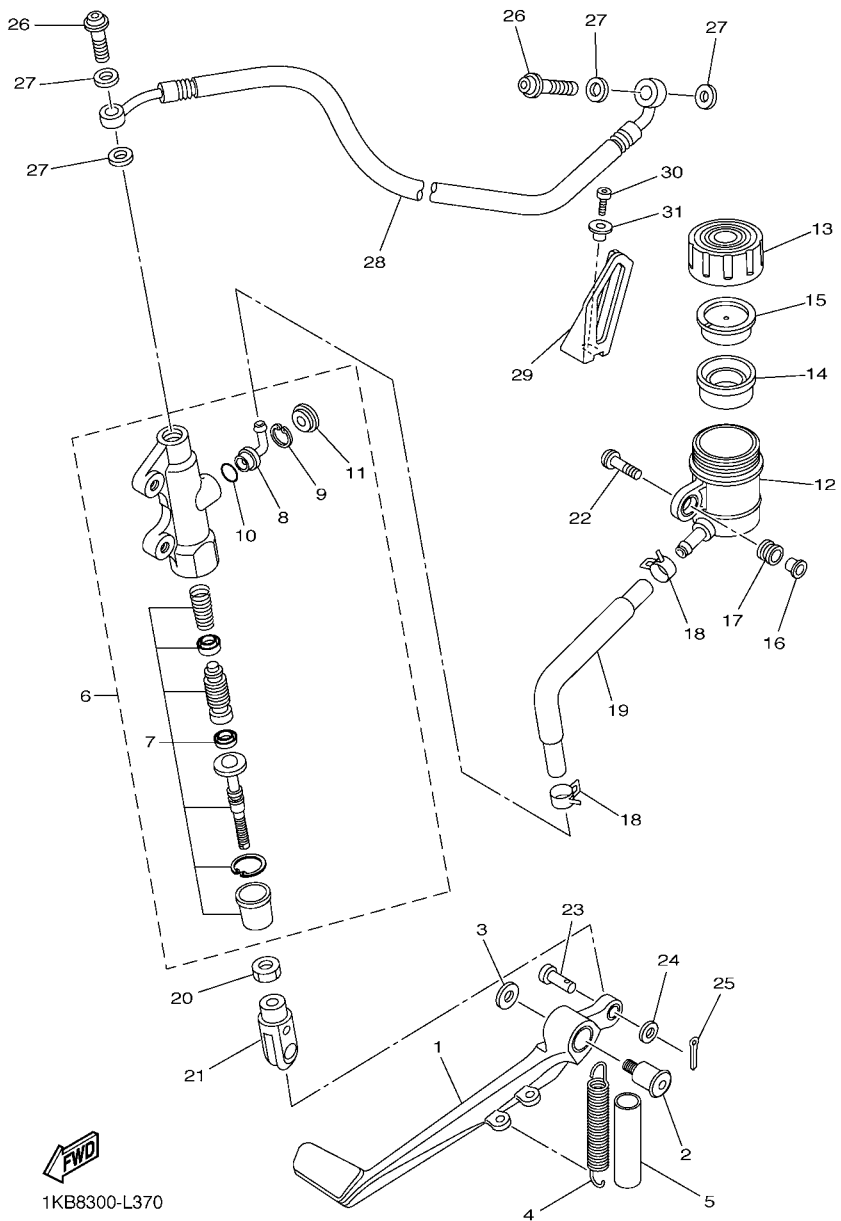
REF. NO.	PART NO.	DESCRIPTION	2SG7	2SG8		REMARKS
55	14B-2749D-00	.SEAT 6	1	1		
56	2D1-14737-00	.DAMPER, MUFFLER	2	2		
57	90109-06264	BOLT	2	2		



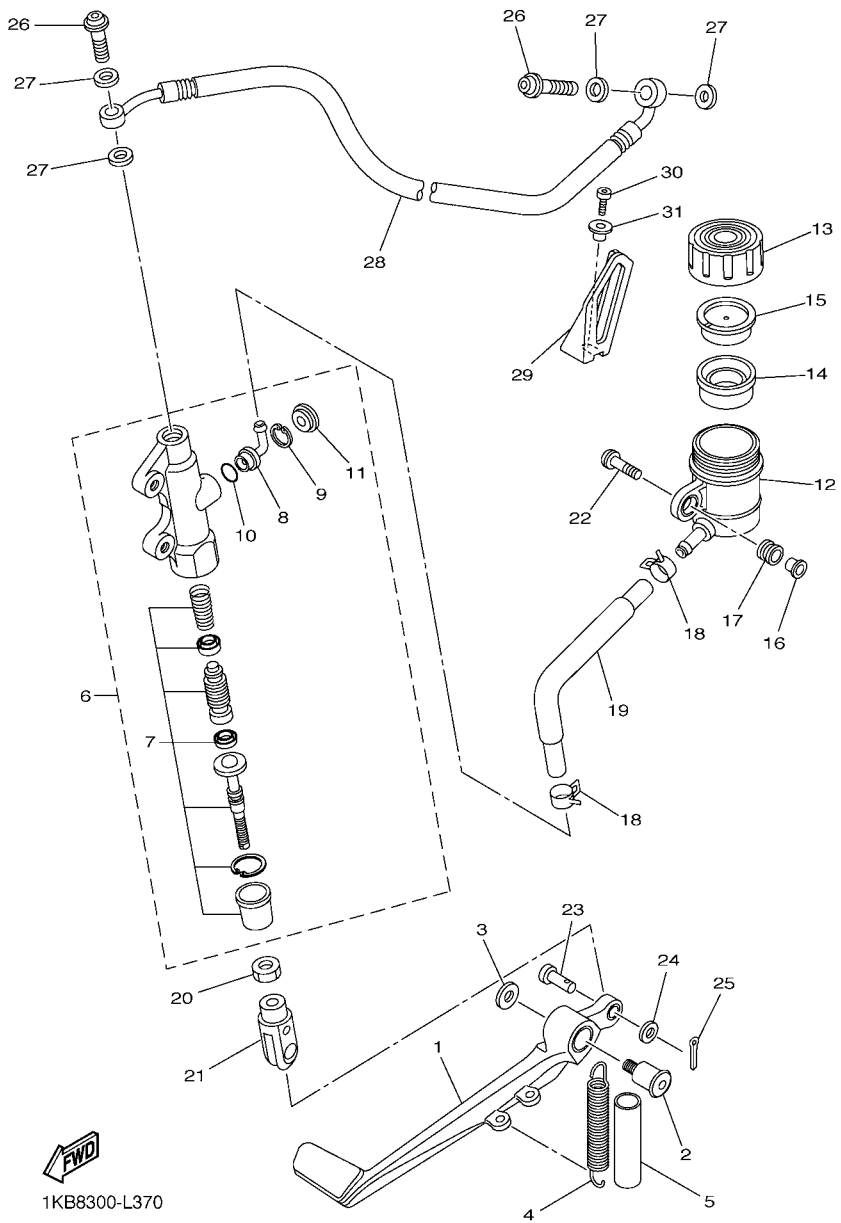
1KB8300-L360

FIG. 37 REAR MASTER CYLINDER

REF. NO.	PART NO.	DESCRIPTION	2SG7	2SG8	REMARKS
1	14B-27211-00	PEDAL, BRAKE	1	1	
2	4C8-27434-00	BOLT	1	1	
3	90201-08103	WASHER, PLATE	1	1	
4	90506-18022	SPRING, TENSION	1	1	
5	90446-15386	HOSE	1	1	
6	14B-2583V-00	RR. MASTER CYLINDER ASSY.	1	1	
7	14B-W0042-00	.CYLINDER KIT, MASTER	1	1	
8	4ML-2582A-50	.JOINT	1	1	
9	2VN-25866-00	.CIRCLIP	1	1	
10	93210-15620	.O-RING	1	1	
11	3FV-2589A-00	.COVER, DUST	1	1	
12	14B-25894-00	TANK, RESERVOIR	1	1	
13	2C0-25852-00	CAP, RESERVOIR	1	1	
14	2VN-25854-00	DIAPHRAGM, RESERVOIR	1	1	
15	2VN-25855-00	BUSH,DIAPHRAGM	1	1	
16	90387-05028	COLLAR	1	1	
17	2C0-26326-00	GROMMET	1	1	
18	90467-12085	CLIP	2	2	
19	14B-25895-00	HOSE, RESERVOIR	1	1	
20	95307-08700	NUT	1	1	
21	4XV-27222-01	JOINT	1	1	
22	90111-05026	BOLT,HEX. SOCKET BUTTON	1	1	
23	91702-06018	PIN, CLEVIS	1	1	
24	92902-06200	WASHER	1	1	
25	91402-16012	PIN, COTTER	1	1	
26	90401-10172	BOLT, UNION	2	2	
27	90430-10005	GASKET	4	4	



1KB8300-L370



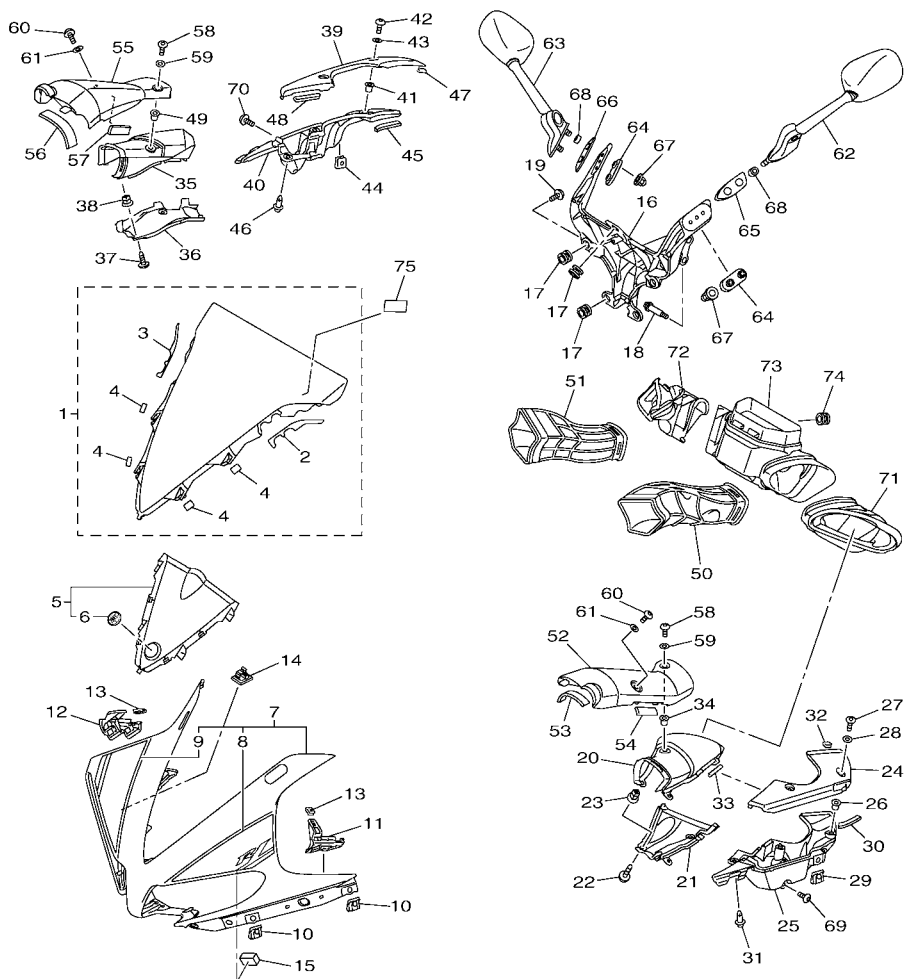
1KB8300-L370

FIG. 37 REAR MASTER CYLINDER

REF. NO.	PART NO.	DESCRIPTION			REMARKS
			2SG7	2SG8	
28	1KB-25874-00	HOSE, BRAKE	1	1	
29	1KB-2588F-00	HOLDER, BRAKE HOSE 5	1	1	
30	91314-06016	BOLT, HEXAGON SOCKET HEAD	1	1	
31	90387-06066	COLLAR	1	1	

FIG. 38 COWLING 1

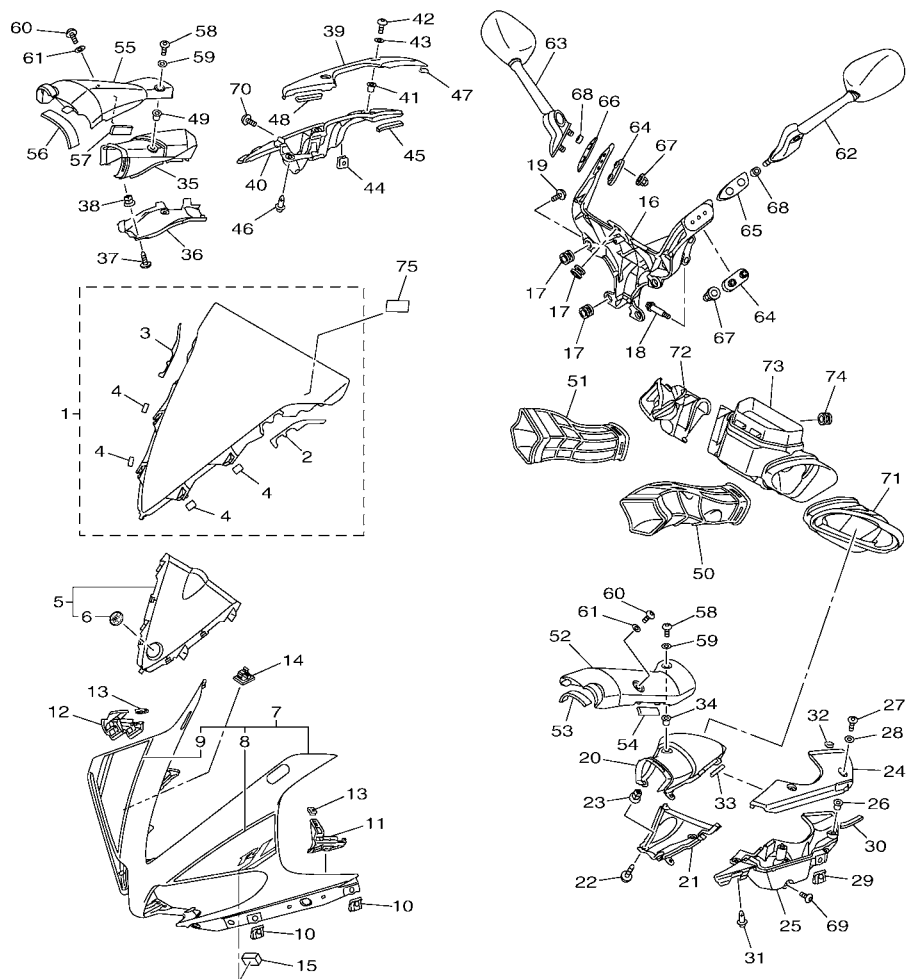
REF. NO.	PART NO.	DESCRIPTION	2SG7	2SG8	REMARKS
1	14B-28380-40	WINDSCREEN ASSY	1	1	
2	14B-28428-10	.SEAL 1	1	1	
3	14B-28429-10	.SEAL 2	1	1	
4	4C8-21735-00	.SEAL 2	4	4	
5	1KB-2830P-00	PANEL ASSY	1	1	
6	4KN-2836B-10	.TUNING FORK MARK	1	1	
7	1KB-W283G-70-P1	BODY, FRONT UPPER 1	1	1	UR BWC1 FOR DPBMC
	1KB-2835G-00-P5	BODY, FRONT UPPER 1	1	1	UR FOR VRC1
	1KB-2835G-00-P0	BODY, FRONT UPPER 1	1	1	UR FOR MNM3
8	2SG-2832K-00	.GRAPHIC, 12	1	1	
9	2SG-2832L-00	.GRAPHIC, 13	1	1	
10	5PW-2177L-00	PLATE, SPRING	4	4	
11	1KB-2831U-00	STAY, SIDE 1	1	1	
12	1KB-2832U-00	STAY, SIDE 1	1	1	
13	90183-05076	NUT, SPRING	2	2	
14	90464-16020	CLAMP	1	1	
15	90520-15010	DAMPER, PLATE	2	2	
16	14B-28356-10	STAY 1	1	1	
17	4XV-83513-00	DAMPER	7	7	
18	90105-08052	BOLT, FLANGE	2	2	
19	90160-05006	SCREW, ROUND TAPPING	4	4	
20	14B-2838N-00-P6	DUCT 1	1	1	UR FOR DPBMC
	14B-2838N-00-P5	DUCT 1	1	1	UR FOR VRC1,MNM3
21	14B-2838T-00	DUCT 3	1	1	
22	97702-50012	SCREW, TAPPING	2	2	
23	90480-08005	GROMMET	2	2	
24	14B-2839K-00-P6	LID 1	1	1	UR FOR DPBMC



2SG7110-N380

FIG. 38 COWLING 1

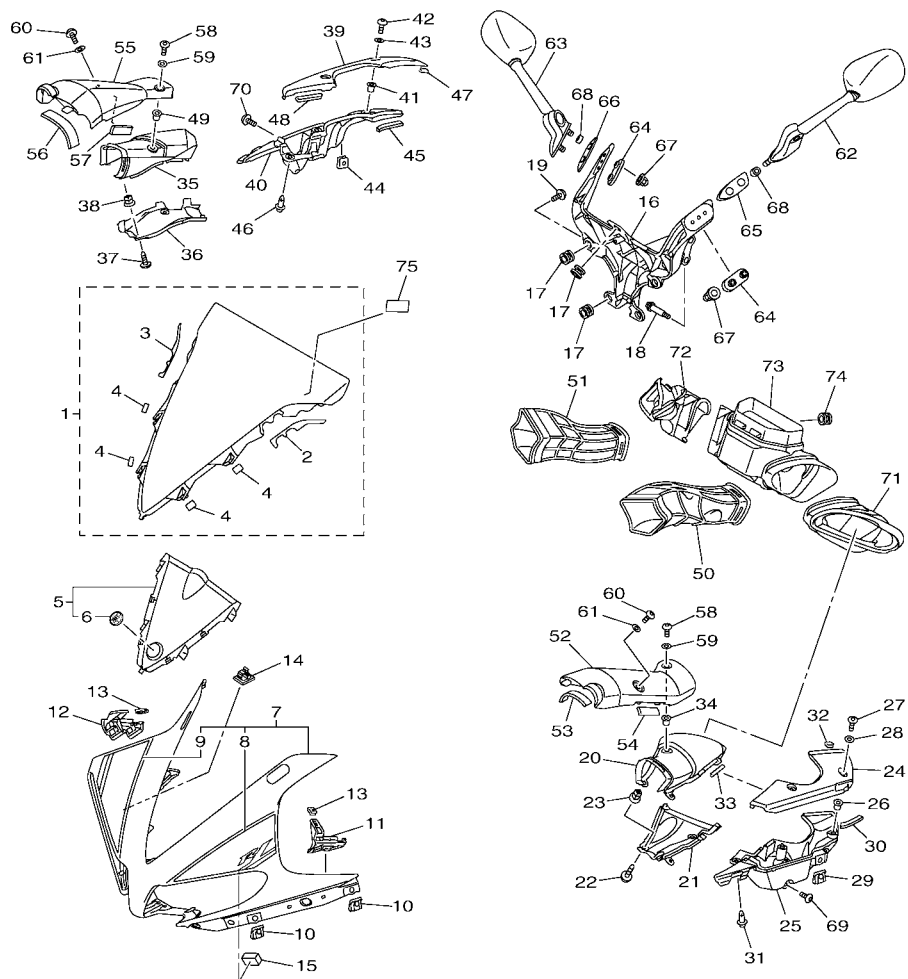
REF. NO.	PART NO.	DESCRIPTION	2SG7	2SG8	REMARKS
24	14B-2839K-00-P5	LID 1	1	1	UR FOR VRC1,MNM3
25	14B-2838V-00	BOX 3	1	1	
26	90179-05523	NUT	2	2	
27	90111-05034	BOLT,HEX. SOCKET BUTTON	2	2	
28	90202-05180	WASHER, PLATE	2	2	
29	5PW-2177L-00	PLATE, SPRING	1	1	
30	J44-78248-00	SEAL 4	1	1	
31	90269-07077	RIVET	1	1	
32	90520-01001	DAMPER, PLATE	1	1	
33	90520-03005	DAMPER, PLATE	1	1	
34	90179-05523	NUT	1	1	
35	14B-2838R-00-P6	DUCT 2	1	1	UR FOR DPBMC
	14B-2838R-00-P5	DUCT 2	1	1	UR FOR VRC1,MNM3
36	14B-2838U-00	DUCT 4	1	1	
37	97702-50012	SCREW, TAPPING	2	2	
38	90480-08005	GROMMET	2	2	
39	14B-2839L-00-P6	LID 2	1	1	UR FOR DPBMC
	14B-2839L-00-P5	LID 2	1	1	UR FOR VRC1,MNM3
40	14B-2838W-00	BOX 4	1	1	
41	90179-05523	NUT	2	2	
42	90111-05034	BOLT,HEX. SOCKET BUTTON	2	2	
43	90202-05180	WASHER, PLATE	2	2	
44	5PW-2177L-00	PLATE, SPRING	1	1	
45	J44-78248-00	SEAL 4	1	1	
46	90269-07077	RIVET	1	1	
47	90520-01001	DAMPER, PLATE	1	1	
48	90520-03005	DAMPER, PLATE	1	1	



2SG7110-N380

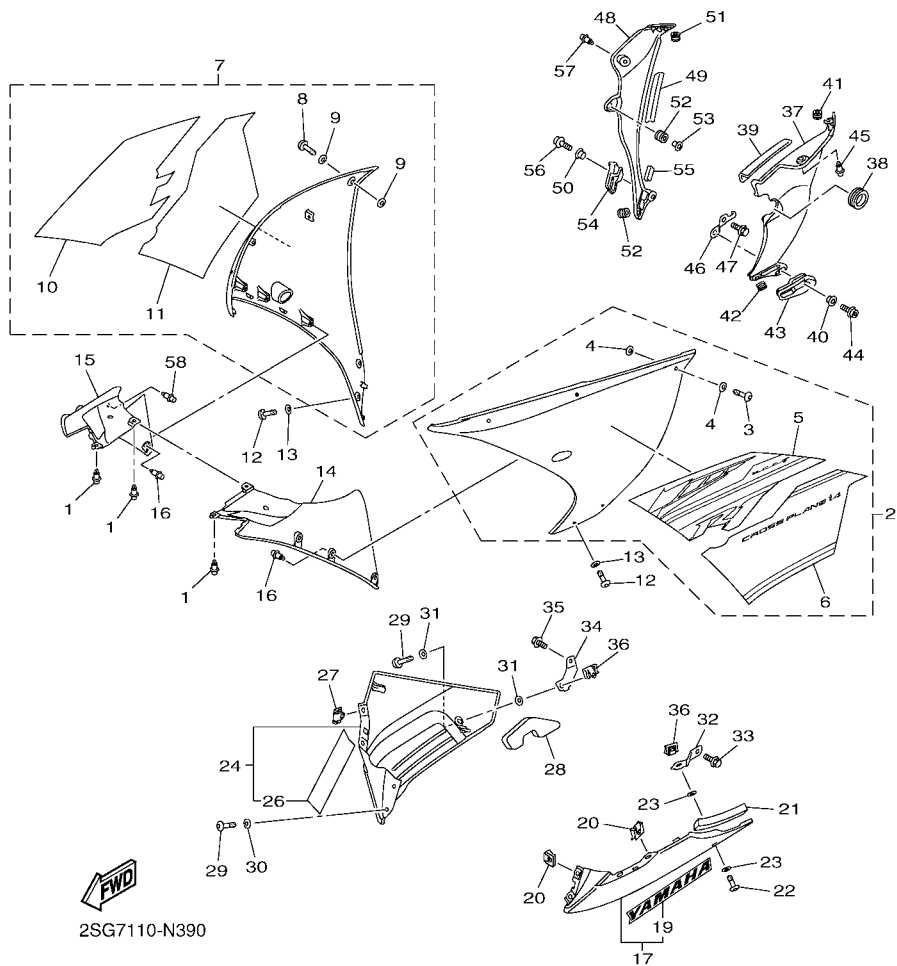
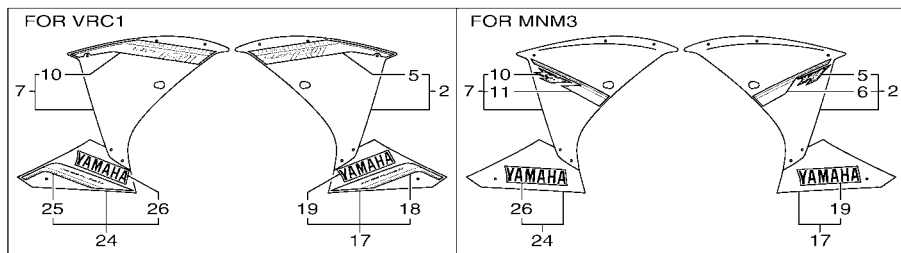
FIG. 38 COWLING 1

REF. NO.	PART NO.	DESCRIPTION	2SG7	2SG8	REMARKS
49	90179-05523	NUT	1	1	
50	14B-2838J-00	DUCT 5	1	1	
51	14B-2838P-00	DUCT 6	1	1	
52	14B-2837L-00-P6	PANEL, CONSOLE 1	1	1	UR FOR DPBMC
	14B-2837L-00-P5	PANEL, CONSOLE 1	1	1	UR FOR VRC1,MNM3
53	4C8-2112D-00	DAMPER, 3	1	1	
54	2S3-2111D-00	SEAL 1	1	1	
55	14B-2837M-00-P6	PANEL, CONSOLE 2	1	1	UR FOR DPBMC
	14B-2837M-00-P5	PANEL, CONSOLE 2	1	1	UR FOR VRC1,MNM3
56	4C8-2112D-00	DAMPER, 3	1	1	
57	2S3-2111D-00	SEAL 1	1	1	
58	90111-05034	BOLT,HEX. SOCKET BUTTON	2	2	
59	90202-05180	WASHER, PLATE	2	2	
60	90111-05034	BOLT,HEX. SOCKET BUTTON	2	2	
61	90202-05180	WASHER, PLATE	2	2	
62	14B-26280-00	REAR VIEW MIRROR ASSY (LEFT)	1	1	
63	14B-26290-00	REAR VIEW MIRROR ASSY (RIGHT)	1	1	
64	4C8-26298-00	PLATE, MIRROR FITTING 1	2	2	
65	14B-2628N-00	BASE, MIRROR (LEFT)	1	1	
66	14B-2628R-00	BASE, MIRROR (RIGHT)	1	1	
67	90176-06055	NUT, CROWN	4	4	
68	90387-064T3	COLLAR	4	4	
69	90111-05034	BOLT,HEX. SOCKET BUTTON	2	2	
70	90111-05034	BOLT,HEX. SOCKET BUTTON	2	2	
71	14B-2846C-00	BOX, SIDE 1	1	1	
72	14B-2846D-00	BOX, SIDE 2	1	1	
73	14B-2845D-10	BOX, FRONT	1	1	



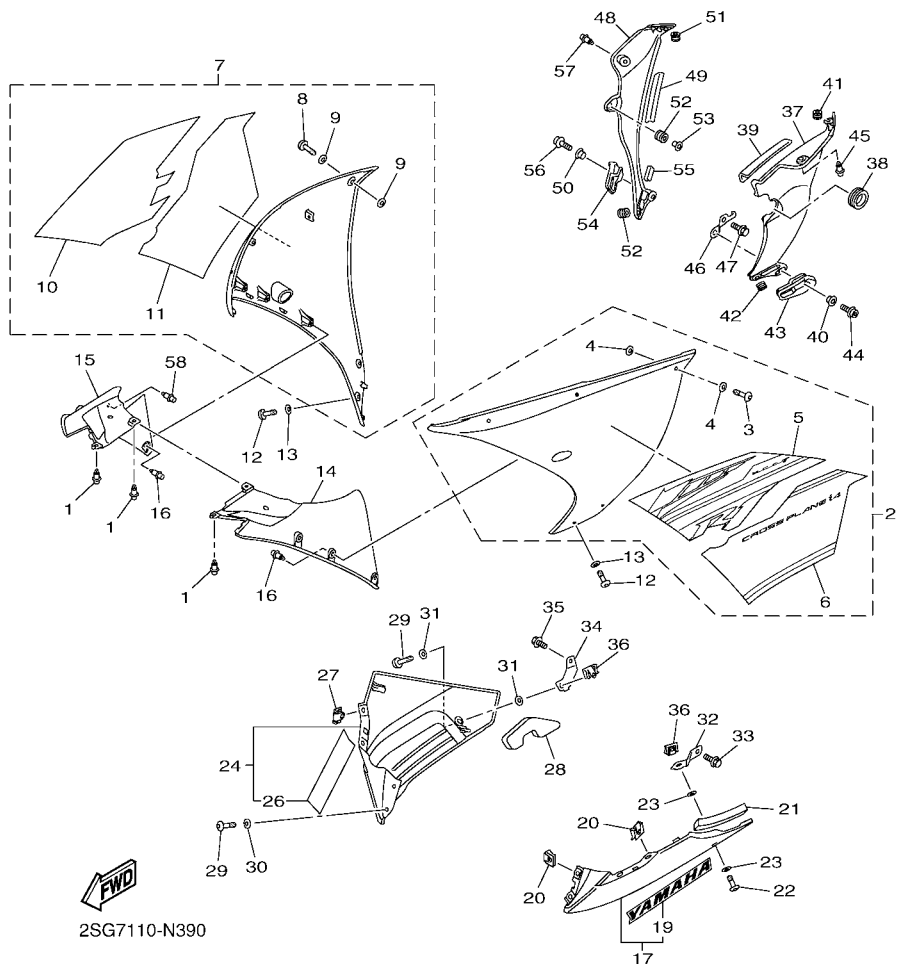
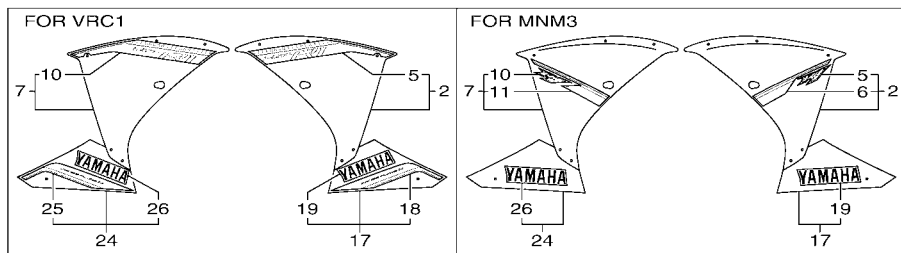
2SG7110-N380

FIG. 39 COWLING 2



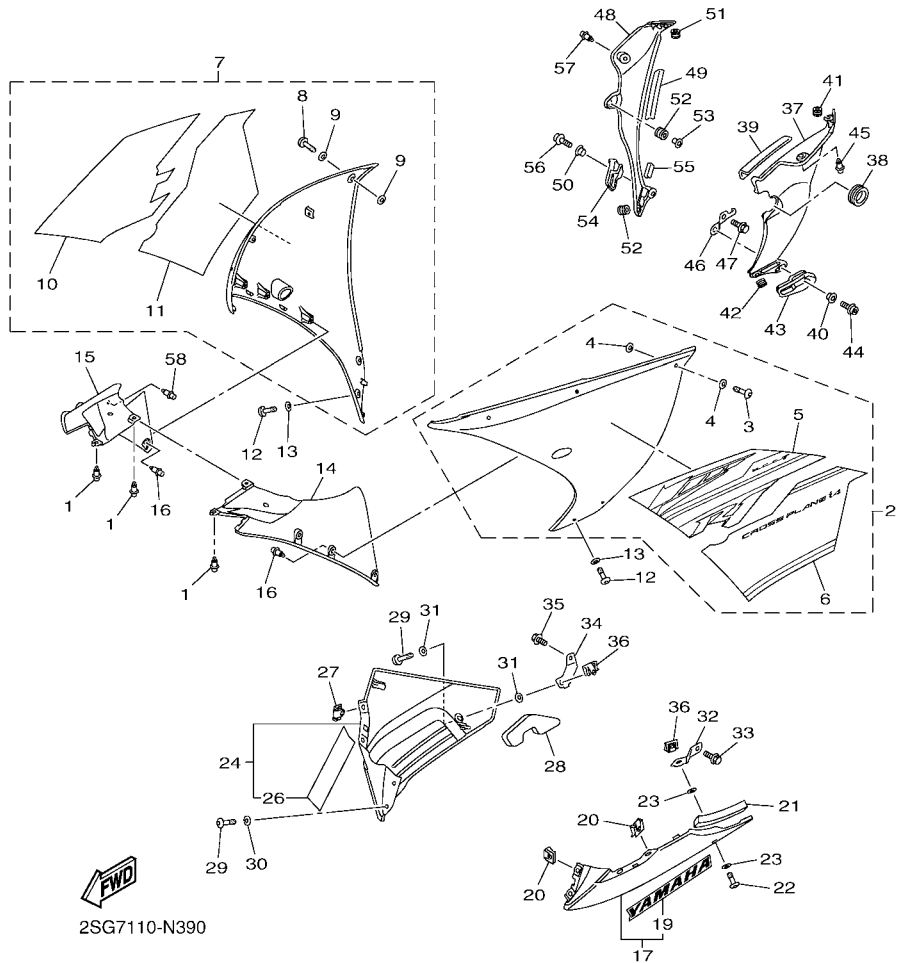
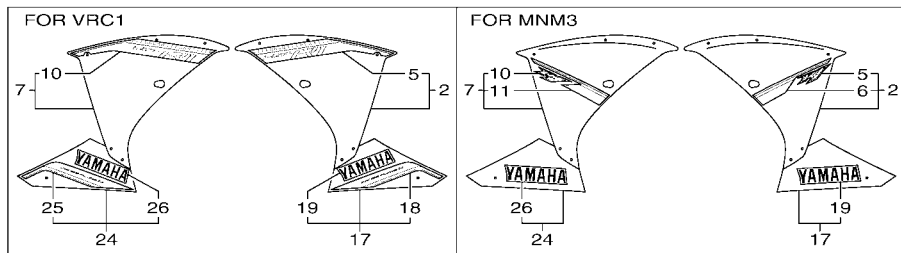
REF. NO.	PART NO.	DESCRIPTION	2SG7	2SG8	REMARKS
1	90269-06008	RIVET	3	3	
2	14B-W283U-2B-P1	PANEL ASSY 1	1	1	UR BWC1 FOR DPBMC
	14B-W283U-2D-P7	PANEL ASSY 1	1	1	UR FOR VRC1
	14B-W283U-2E-P0	PANEL ASSY 1	1	1	UR FOR MNM3
3	14B-28386-00	.HEAD	3	3	
4	2TK-21757-00	.WASHER, SPECIAL 1	6	6	
5	2SG-28391-00	.GRAPHIC 1	1	1	UR FOR DPBMC
	2SG-28391-10	.GRAPHIC 1	1	1	UR FOR VRC1
	1KB-28391-B0	.GRAPHIC 1	1	1	UR FOR MNM3
6	2SG-28393-00	.GRAPHIC 3	1	1	UR FOR DPBMC
	1KB-2839B-01	.EMBLEM 3D	1	1	UR FOR MNM3
7	14B-W283V-2B-P1	PANEL ASSY 2	1	1	UR BWC1 FOR DPBMC
	14B-W283V-2D-P7	PANEL ASSY 2	1	1	UR FOR VRC1
	14B-W283V-2E-P0	PANEL ASSY 2	1	1	UR FOR MNM3
8	14B-28386-00	.HEAD	3	3	
9	2TK-21757-00	.WASHER, SPECIAL 1	6	6	
10	2SG-28392-00	.GRAPHIC 2	1	1	UR FOR DPBMC
	2SG-28392-10	.GRAPHIC 2	1	1	UR FOR VRC1
	1KB-28392-B0	.GRAPHIC 2	1	1	UR FOR MNM3
11	2SG-28394-00	.GRAPHIC 4	1	1	UR FOR DPBMC
	1KB-2839B-01	.EMBLEM 3D	1	1	UR FOR MNM3
12	14B-28386-00	HEAD	4	4	
13	90202-06005	WASHER, PLATE	4	4	
14	14B-2836K-00	PANEL, INNER 1	1	1	
15	14B-2836L-00	PANEL, INNER 2	1	1	
16	90269-06008	RIVET	6	6	
17	14B-W2838-L0-P3	UNDER COVER COMP. 1	1	1	UR FOR DPBMC

FIG. 39 COWLING 2

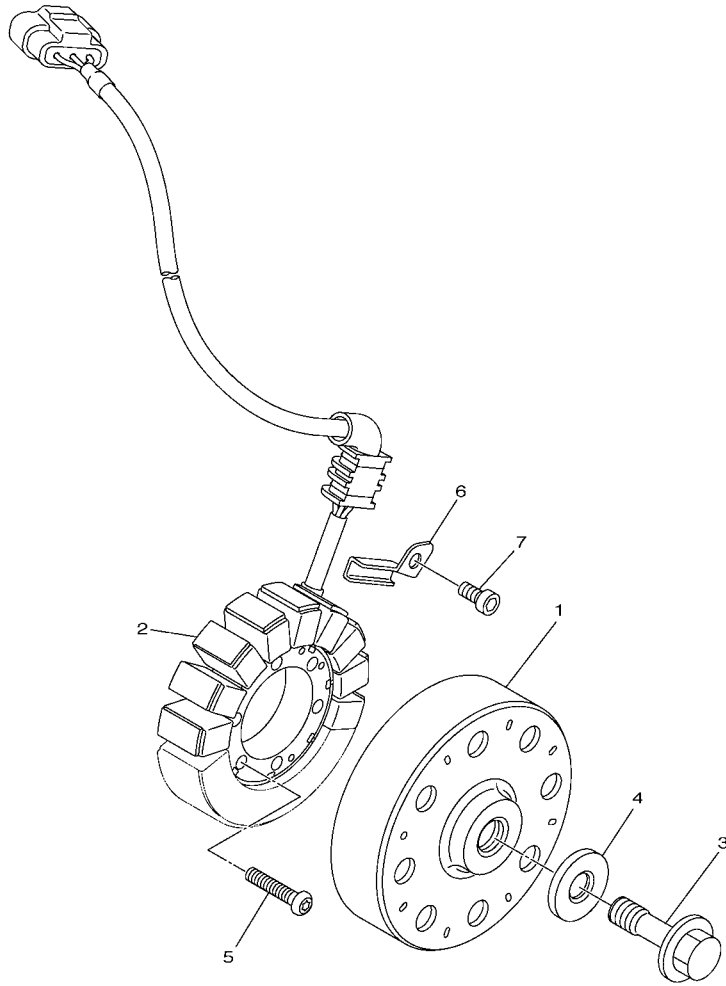


REF. NO.	PART NO.	DESCRIPTION	2SG7	2SG8	REMARKS
17	14B-W2838-H0-P6	UNDER COVER COMP. 1	1	1	UR FOR VRC1
	14B-W2838-J0-P1	UNDER COVER COMP. 1	1	1	UR MBL2 FOR MNM3
18	2SG-283A1-00	.GRAPHIC, UNDER COVER 1	1	1	FOR VRC1
19	99241-00240	.EMBLEM, YAMAHA	1	1	UR FOR DPBMC
	99244-00240	.EMBLEM, YAMAHA	1	1	UR FOR VRC1
	99247-00240	.EMBLEM, YAMAHA	1	1	UR FOR MNM3
20	5PW-2177L-00	PLATE, SPRING	4	4	
21	90520-30004	DAMPER, PLATE	1	1	
22	14B-28386-00	HEAD	1	1	
23	2TK-21757-00	WASHER, SPECIAL 1	2	2	
24	14B-W2839-L0-P3	UNDER COVER COMP. 2	1	1	UR FOR DPBMC
	14B-W2839-H0-P6	UNDER COVER COMP. 2	1	1	UR FOR VRC1
	14B-W2839-J0-P1	UNDER COVER COMP. 2	1	1	UR MBL2 FOR MNM3
25	2SG-283A2-00	.GRAPHIC, UNDER COVER 2	1	1	FOR VRC1
26	99241-00240	.EMBLEM, YAMAHA	1	1	UR FOR DPBMC
	99244-00240	.EMBLEM, YAMAHA	1	1	UR FOR VRC1
	99247-00240	.EMBLEM, YAMAHA	1	1	UR FOR MNM3
27	5PW-2177L-00	PLATE, SPRING	2	2	
28	14B-28371-10	DAMPER	1	1	
29	14B-28386-00	HEAD	3	3	
30	90202-06005	WASHER, PLATE	2	2	
31	2TK-21757-00	WASHER, SPECIAL 1	2	2	
32	14B-2836A-00	BRACKET 1	1	1	
33	95802-06016	BOLT, FLANGE	1	1	
34	14B-2836E-00	BRACKET 2	1	1	
35	90105-06174	BOLT, FLANGE	1	1	
36	5PW-2177L-00	PLATE, SPRING	2	2	

FIG. 39 COWLING 2



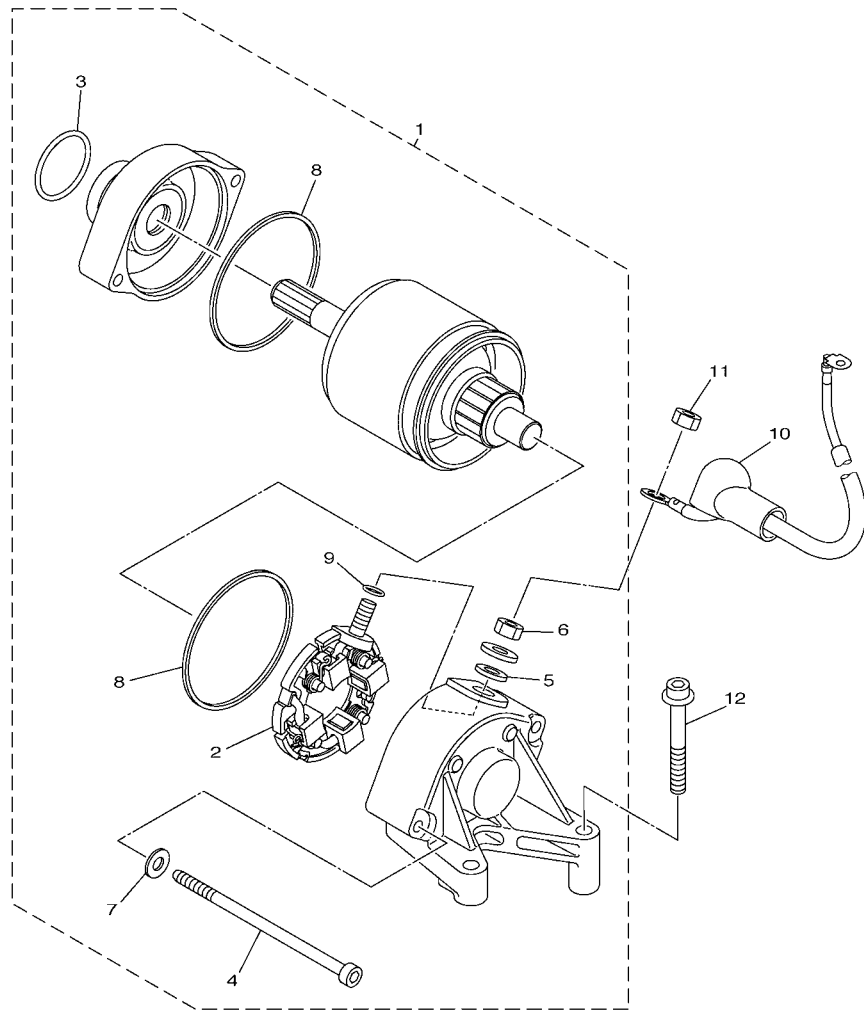
REF. NO.	PART NO.	DESCRIPTION	2SG7	2SG8	REMARKS
37	14B-2836M-10-P2	PANEL, INNER 3	1	1	UR FOR DPBMC
	14B-2836M-10-P7	PANEL, INNER 3	1	1	UR FOR VRC1
	14B-2836M-10-P0	PANEL, INNER 3	1	1	UR MBL2 FOR MNM3
38	14B-2836T-00	DAMPER, LOCATING 1	1	1	
39	90520-05011	DAMPER, PLATE	1	1	
40	90560-08251	SPACER	1	1	
41	90480-08006	GROMMET	1	1	
42	90480-12596	GROMMET	1	1	
43	14B-283C1-00	STOPPER, RUBBER 1	1	1	
44	90110-06163	BOLT, HEXAGON SOCKET HEAD	1	1	
45	90269-07077	RIVET	1	1	
46	14B-28321-00	STAY 1	1	1	
47	95802-06012	BOLT, FLANGE	1	1	
48	14B-2836N-10-P2	PANEL, INNER 4	1	1	UR FOR DPBMC
	14B-2836N-10-P7	PANEL, INNER 4	1	1	UR FOR VRC1
	14B-2836N-10-P0	PANEL, INNER 4	1	1	UR MBL2 FOR MNM3
49	3NU-21732-00	SEAL 1	1	1	
50	90560-08251	SPACER	1	1	
51	90480-08006	GROMMET	1	1	
52	90480-12596	GROMMET	2	2	
53	90387-065J6	COLLAR	1	1	
54	14B-283C2-00	STOPPER, RUBBER 2	1	1	
55	4B5-2847F-00	SEAL 5	1	1	
56	90110-06163	BOLT, HEXAGON SOCKET HEAD	2	2	
57	90269-07077	RIVET	1	1	
58	90269-06008	RIVET	1	1	



14B1300-H400

FIG. 40 GENERATOR

REF. NO.	PART NO.	DESCRIPTION	2SG7	2SG8			REMARKS
1	14B-81450-00	ROTOR ASSY	1	1			
2	14B-81410-00	STATOR ASSY	1	1			
3	90105-126A8	BOLT, FLANGE	1	1			
4	90201-12008	WASHER, PLATE	1	1			
5	90149-06128	SCREW	3	3			
6	14B-15484-00	CLAMP 2	1	1			
7	90110-06182	BOLT, HEXAGON SOCKET HEAD	1	1			



14BR300-K410

FIG. 41 STARTING MOTOR

REF. NO.	PART NO.	DESCRIPTION	2SG7	2SG8	REMARKS
1	14B-81890-00	MOTOR ASSY	1	1	
2	4C8-81801-01	.BRUSH SET	1	1	
3	93210-25711	.O-RING	1	1	
4	4C8-81846-00	.SCREW	2	2	
5	8FA-8181L-00	.WASHER, PLAIN	1	1	
6	95302-06700	.NUT	1	1	
7	90201-05021	.WASHER, PLATE	2	2	
8	4C8-81861-00	.GASKET	2	2	
9	93210-06001	.O-RING	1	1	
10	14B-8183G-10	CORD COMP.	1	1	
11	95302-06700	NUT	1	1	
12	90109-06016	BOLT	2	2	

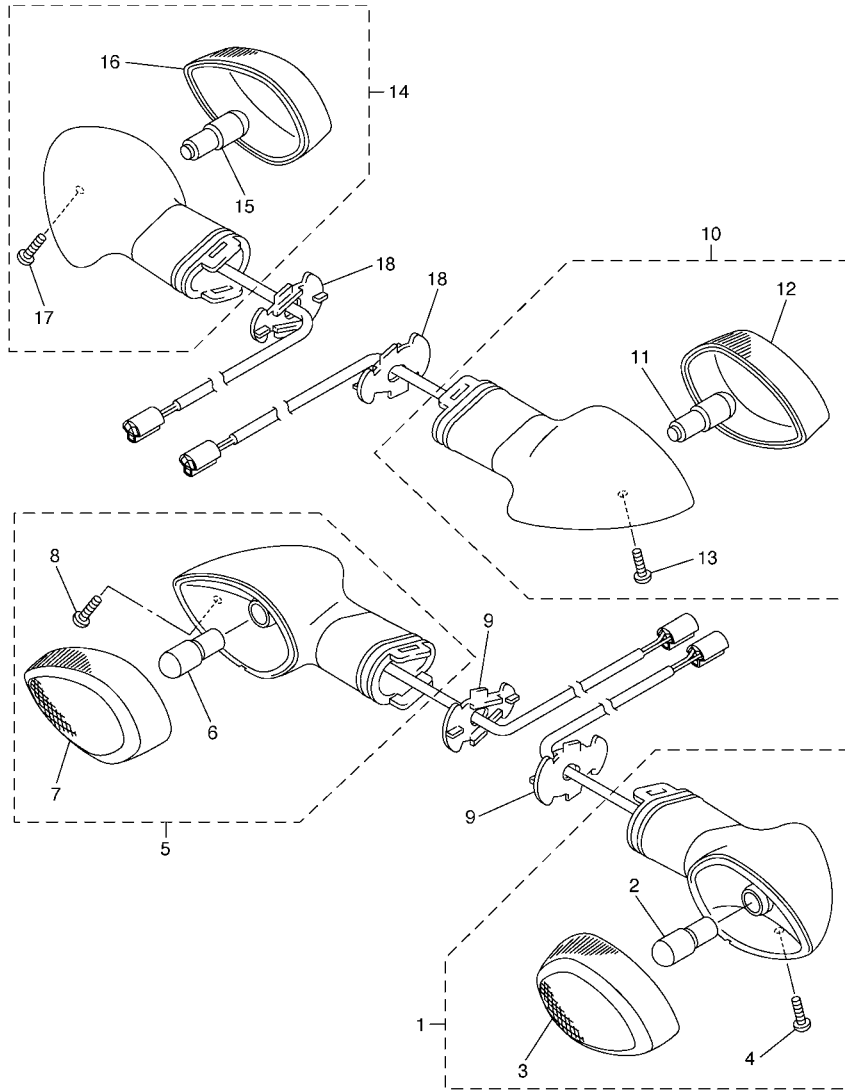
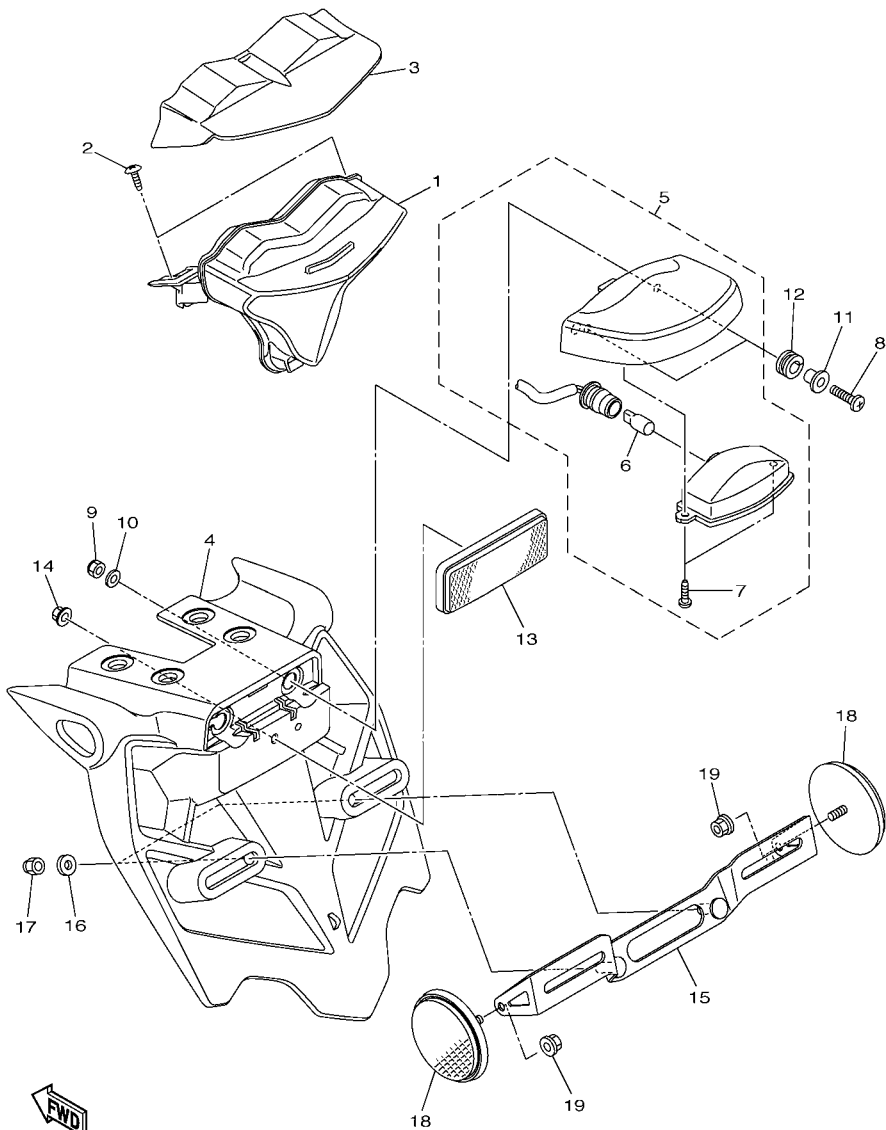


FIG. 42 FLASHER LIGHT

REF. NO.	PART NO.	DESCRIPTION	2SG7	2SG8	REMARKS
1	5PW-83310-10	FRONT FLASHER LIGHT ASSY 1	1	1	
2	5GJ-83331-00	.BULB, FLASHER(12V-21/5W T20)	1	1	
3	5PW-8333A-10	.LENS COMP 1	1	1	
4	97706-04012	.SCREW, TAPPING	1	1	
5	5PW-83320-10	FRONT FLASHER LIGHT ASSY 2	1	1	
6	5GJ-83331-00	.BULB, FLASHER(12V-21/5W T20)	1	1	
7	5PW-8334A-10	.LENS COMP 2	1	1	
8	97706-04012	.SCREW, TAPPING	1	1	
9	2C0-83318-00	STAY, FLASHER 1	2	2	
10	14B-83330-10	REAR FLASHER LIGHT ASSY 1	1	1	
11	5PW-83331-00	.BULB (12V-21/5W T20)	1	1	
12	5PW-8334A-10	.LENS COMP 2	1	1	
13	97707-04012	.SCREW, TAPPING	1	1	
14	14B-83340-10	REAR FLASHER LIGHT ASSY 2	1	1	
15	5PW-83331-00	.BULB (12V-21/5W T20)	1	1	
16	5PW-8333A-10	.LENS COMP 1	1	1	
17	97707-04012	.SCREW, TAPPING	1	1	
18	2C0-83318-00	STAY, FLASHER 1	2	2	



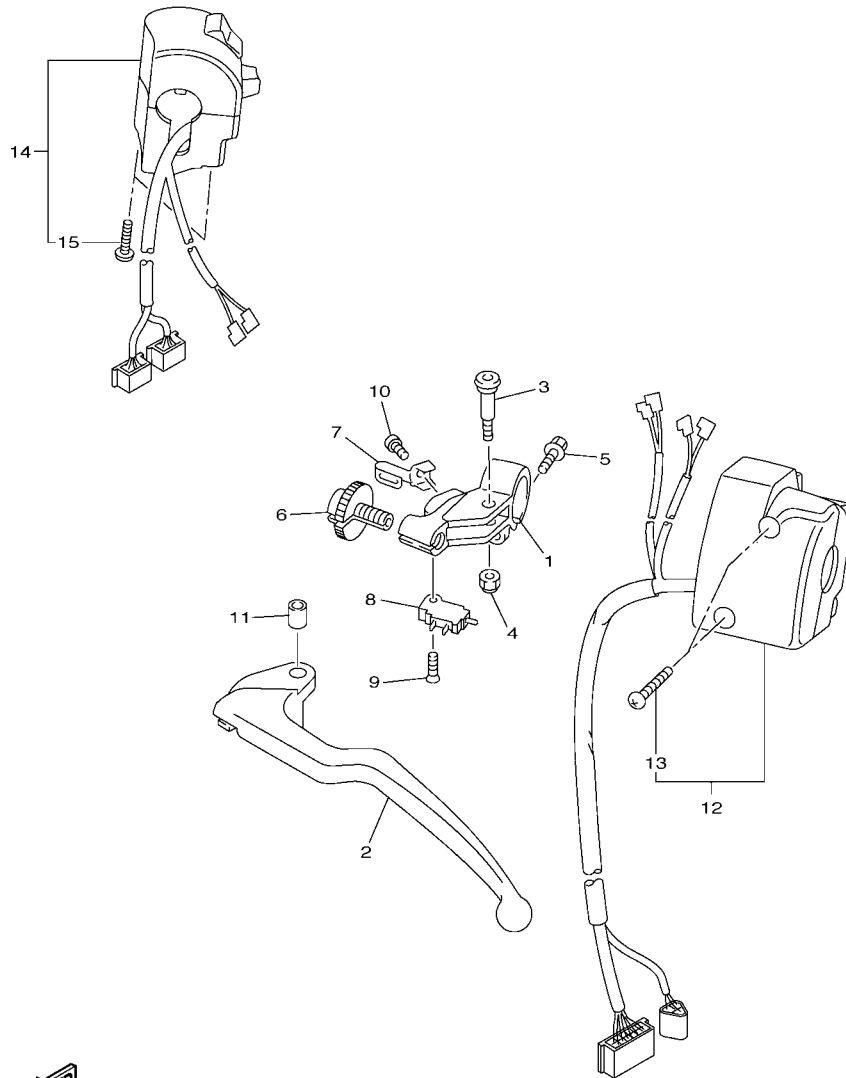
2C05100-E410



14B4110-H450

FIG. 45 TAILLIGHT

REF. NO.	PART NO.	DESCRIPTION	2SG7	2SG8	REMARKS
1	14B-84710-10	TAILLIGHT UNIT ASSY	1	1	
2	97702-50014	SCREW, TAPPING	2	2	
3	14B-84516-00	COVER, TAILLIGHT	1	1	
4	14B-21629-01	GUARD, MUD	1	1	
5	5VX-84745-01	LICENCE LIGHT UNIT ASSY	1	1	
6	4HC-84744-00	.BULB (12V-5W)	1	1	
7	97706-04012	.SCREW, TAPPING	2	2	
8	98902-05020	SCREW, BIND	2	2	
9	95602-05100	NUT, U	2	2	
10	92907-05200	WASHER	2	2	
11	90387-05003	COLLAR	2	2	
12	90480-11009	GROMMET	2	2	
13	3Y6-85130-02	REAR REFLECTOR ASSY	1	1	
14	95602-05200	NUT, SELF-LOCKING	1	1	
15	14B-84751-00	BRACKET, LICENSE	1	1	
16	92902-06600	WASHER, PLATE	2	2	
17	95602-06100	NUT, U	2	2	
18	449-85131-02	REFLECTOR, REAR 1	2	2	
19	95702-05500	NUT, FLANGE	2	2	



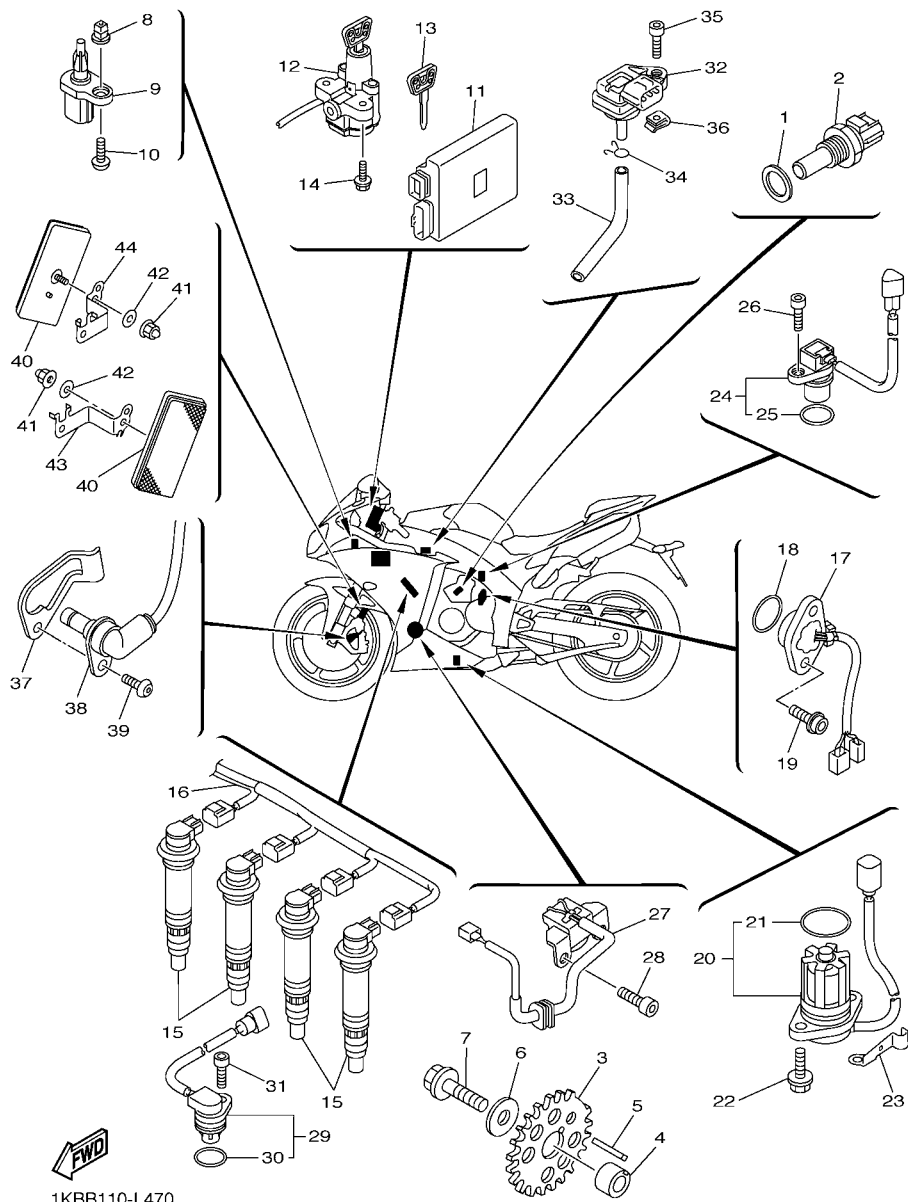
1KBB110-L460

FIG. 46 HANDLE SWITCH & LEVER

REF. NO.	PART NO.	DESCRIPTION	2SG7	2SG8	REMARKS
1	4XV-82911-10	HOLDER, LEVER 1	1	1	
2	5EB-83912-03	LEVER 1	1	1	
3	2C0-83945-00	BOLT, LEVER	1	1	
4	95607-06200	NUT, SELF U-FLANGE	1	1	
5	95027-06020	BOLT, FLANGE	1	1	
6	5LV-83951-00	BOLT, CABLE ADJUSTING	1	1	
7	4XV-83929-00	PLATE, SPRING	1	1	
8	4XV-82917-01	SWITCH	1	1	
9	98707-03016	SCREW, FLAT HEAD	1	1	
10	98507-04010	SCREW, PAN HEAD	1	1	
11	5JJ-83913-00	COLLAR, LEVER 1	1	1	
12	1KB-83972-00	SWITCH, HANDLE 4	1	1	
13	98507-05025	.SCREW, PAN HEAD	2	2	
14	14B-83963-00	SWITCH, HANDLE 3	1	1	
15	98507-05045	.SCREW, PAN HEAD	2	2	

FIG. 47 ELECTRICAL 1

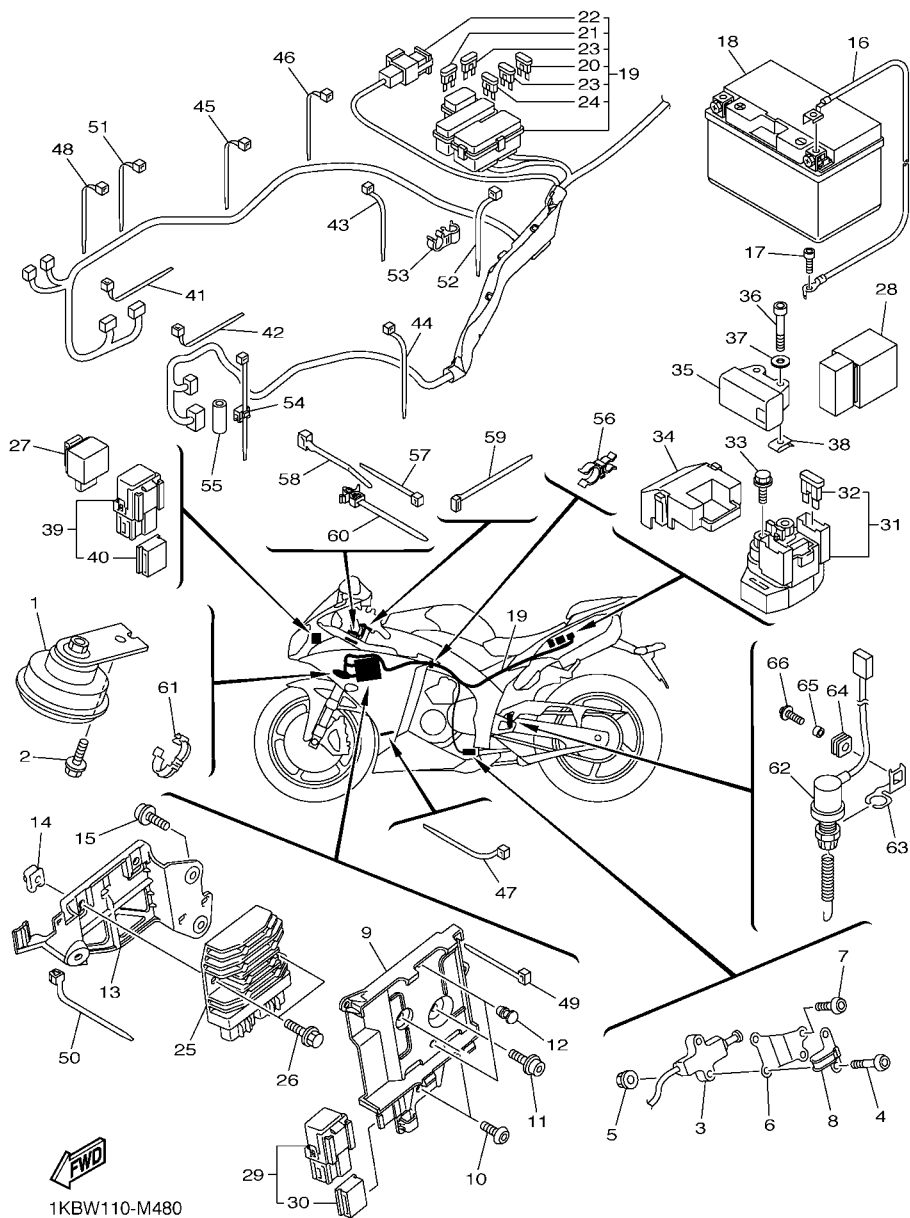
REF. NO.	PART NO.	DESCRIPTION	2SG7	2SG8	REMARKS
1	90201-12790	WASHER, PLATE	1	1	
2	8CC-85790-01	THERMOSENSOR ASSY	1	1	
3	14B-81673-00	ROTOR	1	1	
4	90387-11006	COLLAR	1	1	
5	90282-03005	KEY, STRAIGHT	1	1	
6	90201-10034	WASHER, PLATE	1	1	
7	90105-10290	BOLT, FLANGE	1	1	
8	90480-08005	GROMMET	1	1	
9	8FP-85886-00	SENSOR, AIR TEMPERATURE	1	1	
10	97702-50016	SCREW, TAPPING	1	1	
11	1KB-8591A-20	ENGINE CONTROL UNIT ASSY	1	1	
12	14B-82501-40	MAIN SWITCH STEERING LOCK	1	1	
13	4BH-82511-09	BLANK KEY	1	1	AP
14	90109-08195	BOLT	2	2	
15	1KB-82310-00	IGNITION COIL ASSY	4	4	
16	14B-82309-00	WIRE, SUB LEAD	1	1	
17	14B-82540-01	NEUTRAL SWITCH ASSY	1	1	
18	93210-21001	O-RING	1	1	
19	90110-05067	BOLT, HEXAGON SOCKET HEAD	2	2	
20	14B-85720-00	OIL LEVEL GAUGE ASSY	1	1	
21	5VY-8A8E0-00	.O-RING	1	1	
22	95022-06016	BOLT, FLANGE	2	2	
23	90465-08053	CLAMP	1	1	
24	14B-83755-00	SENSOR, SPEED	1	1	
25	4D9-81168-00	.O-RING	1	1	
26	90110-06161	BOLT, HEXAGON SOCKET HEAD	1	1	
27	14B-81670-00	PICK-UP ASSY	1	1	



1KBB110-L470

FIG. 48 ELECTRICAL 2

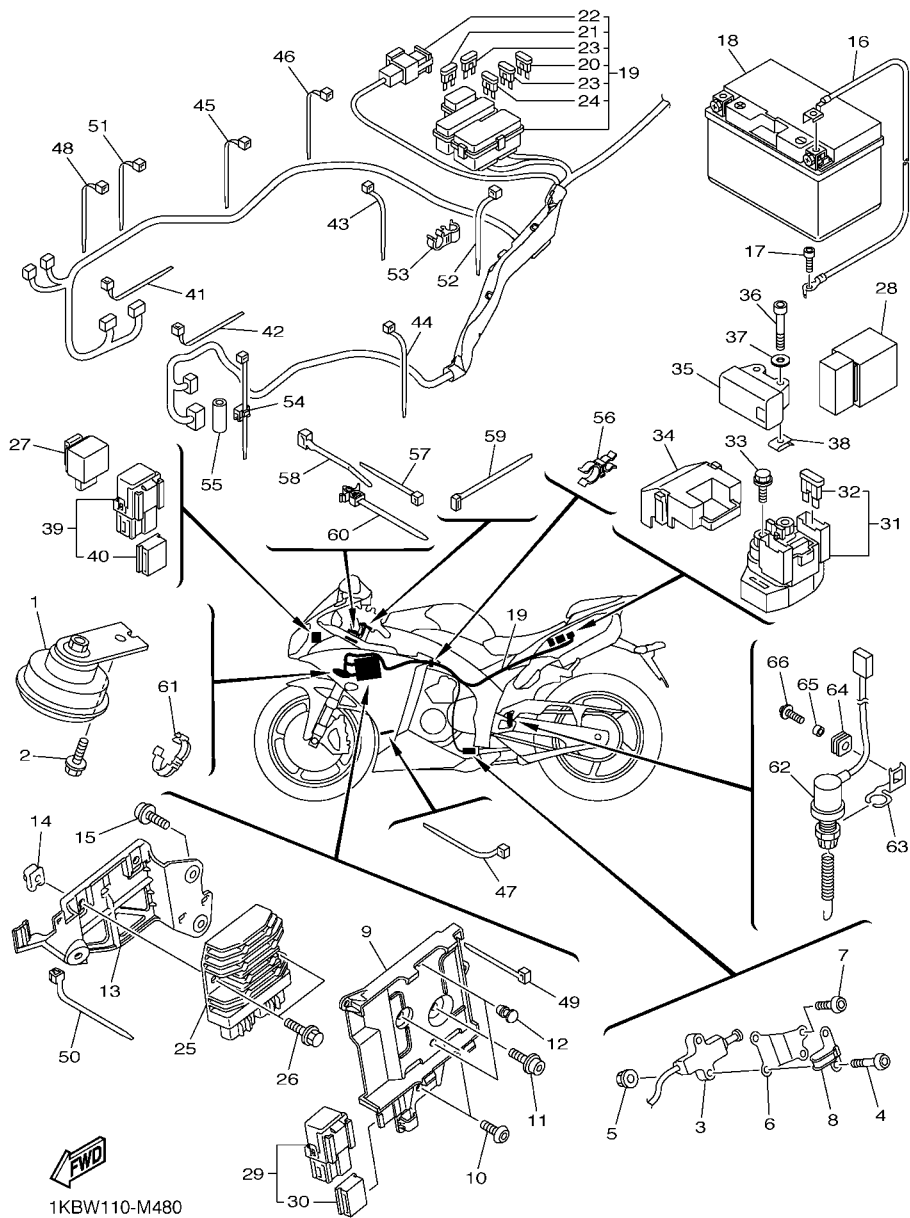
REF. NO.	PART NO.	DESCRIPTION	2SG7	2SG8	REMARKS
1	14B-83371-00	HORN	1	1	
2	95802-06012	BOLT, FLANGE	1	1	
3	13S-82566-50	SWITCH, SIDE STAND	1	1	
4	92012-05025	BOLT, BUTTON HEAD	2	2	
5	95602-05200	NUT, SELF-LOCKING	2	2	
6	14B-27961-00	BRACKET, SENSOR 1	1	1	
7	92012-05016	BOLT, BUTTON HEAD	2	2	
8	14B-27911-00	HOLDER	1	1	
9	14B-2836H-00	BRACKET 5	1	1	
10	90111-06119	BOLT,HEX. SOCKET BUTTON	2	2	
11	90110-06245	BOLT, HEXAGON SOCKET HEAD	1	1	
12	90338-06018	PLUG	2	2	
13	14B-2836J-00	BRACKET 6	1	1	
14	90183-06069	NUT, SPRING	2	2	
15	90110-06245	BOLT, HEXAGON SOCKET HEAD	2	2	
16	14B-82116-00	WIRE, MINUS LEAD	1	1	
17	91312-06012	BOLT	1	1	
18	5VY-82100-00	BATTERY ASSY (YUASA YTZ10S)	1	1	
19	1KB-82590-10	WIRE HARNESS ASSY	1	1	
20	5JJ-82151-10	.FUSE (15A-BL)	2	2	
21	5JJ-82151-20	.FUSE (20A-BL)	2	2	
22	5JW-82151-10	.FUSE (50A)	1	1	
23	5JJ-82151-00	.FUSE (7.5A-BL)	4	4	
24	5JJ-82151-30	.FUSE (10A-BL)	4	4	
25	1D7-81960-01	RECTIFIER & REGULATOR ASSY	1	1	
26	90105-06148	BOLT, FLANGE	2	2	
27	4MY-83350-01	FLASHER RELAY ASSY	1	1	



1KBW110-M480

FIG. 48 ELECTRICAL 2

REF. NO.	PART NO.	DESCRIPTION	2SG7	2SG8	REMARKS
28	5VK-81950-40	RELAY ASSY (5VK-40)	1	1	
29	1ST-81950-00	RELAY ASSY (1ST-00)	1	1	
30	5JJ-81952-00	.HOLDER, RELAY	1	1	
31	2C0-81940-00	STARTER RELAY ASSY (RC19-054)	1	1	
32	36Y-82151-00	.FUSE (15A-BL)	2	2	
33	95022-06008	BOLT, FLANGE	2	2	
34	5SL-82119-10	COVER, LEAD WIRE	1	1	
35	5VU-82576-01	SENSOR, LEAN ANGLE	1	1	
36	91312-04025	BOLT	2	2	
37	90201-047A2	WASHER, PLATE	2	2	
38	90183-04039	NUT, SPRING	2	2	
39	1ST-81950-00	RELAY ASSY (1ST-00)	1	1	
40	5JJ-81952-00	.HOLDER, RELAY	1	1	
41	90464-13073	CLAMP	1	1	
42	90464-13073	CLAMP	1	1	
43	90465-13M11	CLAMP	1	1	
44	90464-16061	CLAMP	1	1	
45	90464-16061	CLAMP	1	1	
46	90464-13077	CLAMP	1	1	
47	90464-13073	CLAMP	1	1	
48	90464-13073	CLAMP	1	1	
49	90465-13M11	CLAMP	1	1	
50	90464-13073	CLAMP	1	1	
51	90464-13077	CLAMP	1	1	
52	90464-13077	CLAMP	1	1	
53	90464-12009	CLAMP	1	1	
54	90464-36004	CLAMP	1	1	



1KBW110-M480

NUMERICAL INDEX

PART NO.	REF. NO.	PART NO.	REF. NO.	PART NO.	REF. NO.	PART NO.	REF. NO.	PART NO.	REF. NO.	PART NO.	REF. NO.
14B-11101-19	1 - 1	3LD-12168-K1	4 - 12	4XV-12485-00	6 - 19	2C0-14105-00	11 - 13	14B-14725-00	13 - 18	14B-15521-00	16 - 4
5VY-1111G-00	1 - 29	3LD-12168-M1	4 - 12	14B-12551-00	7 - 27	4KM-14137-00	11 - 14	1KB-14728-00	13 - 58	14B-15570-00	16 - 7
14B-11133-10	1 - 2	3LD-12168-R1	4 - 12	14B-12552-00	7 - 49	8A7-14139-00	11 - 12	2D1-14737-00	13 - 14	14B-16150-20	17 - 1
4C8-11134-10	1 - 3	3LD-12168-U1	4 - 12	14B-12576-00	6 - 27	39P-14147-00	11 - 21		36 - 56	363-16154-00	17 - 24
14B-11165-00	15 - 24	3LD-12168-W1	4 - 12	14B-12578-00	7 - 16	5PS-14147-00	10 - 24	3D7-14737-00	13 - 30	4C8-16154-00	17 - 2
14B-11181-00	1 - 20	3LD-12168-Y1	4 - 12	14B-12579-00	7 - 12		11 - 23		13 - 40	14B-16181-00	17 - 25
14B-11191-00	1 - 21	3LD-12169-11	4 - 12	4C8-12579-00	7 - 8	895-14169-00	11 - 11	14B-14738-00	13 - 5	5VY-16321-00	17 - 7
14B-11193-00	1 - 23	3LD-12169-31	4 - 12	14B-12588-00	6 - 25	363-14198-00	11 - 8	14B-14740-10	13 - 4	4B1-16324-00	17 - 16
214-11198-01	9 - 8	3LD-12169-50	4 - 12	14B-12589-00	7 - 38	2C0-14216-00	11 - 7	5VY-14747-00	13 - 50	4B1-16325-00	17 - 15
14B-11311-00	2 - 1	3LD-12169-70	4 - 12	14B-12637-00	6 - 33	5FL-14216-00	11 - 10	14B-1478P-00	13 - 75		17 - 16
14B-11351-00	2 - 2	3LD-12169-90	4 - 12	5SL-12671-00	7 - 26	8CC-14216-10	11 - 6	14B-1479P-00	13 - 76	5VY-16325-00	17 - 8
14B-11400-00	3 - 1	3LD-12169-E0	4 - 12	5GJ-12675-00	7 - 21	5JW-14348-00	11 - 18	5VY-1482K-00	1 - 24		17 - 15
14B-11413-00	3 - 12	3LD-12169-G0	4 - 12	14B-12682-01	10 - 37	5FL-14348-10	11 - 15	2D1-14840-00	12 - 1		17 - 16
14B-11413-10	3 - 12	3LD-12169-J0	4 - 12	13S-12688-00	7 - 25	5PW-14349-00	11 - 19	4C8-14881-01	12 - 2	14B-16330-00	17 - 6
14B-11413-20	3 - 12	3LD-12169-L0	4 - 12	5FL-12822-00	9 - 15	5PW-14396-00	11 - 5	4C8-14882-01	12 - 3	14B-16340-00	17 - 20
14B-11413-30	3 - 12	3LD-12169-N0	4 - 12	5VY-13117-10	8 - 5	14B-14402-01	10 - 22	14B-14883-00	12 - 5	132-16346-00	20 - 2
14B-11413-40	3 - 12	3LD-12169-T0	4 - 12	14B-13161-00	9 - 12	14B-1440B-00	10 - 15	5SL-14890-10	1 - 25	14B-16351-00	17 - 9
14B-11413-50	3 - 12	14B-12170-01	5 - 1	14B-1316E-00	8 - 10	14B-14411-01	10 - 6	14B-14899-01	1 - 26	4XV-16356-01	17 - 19
14B-11413-A0	3 - 12	14B-12176-00	5 - 3	14B-13338-00	6 - 3	14B-14412-01	10 - 30	14B-15100-08	14 - 1	1KB-16360-00	17 - 4
14B-11416-00	3 - 6	14B-12180-01	5 - 2	14B-13354-00	17 - 26	14B-14421-01	10 - 18	14B-15123-00	14 - 6	1KB-16370-10	17 - 5
14B-11416-10	3 - 6	1KB-12210-00	5 - 6	14B-13355-00	6 - 12	14B-14425-00	10 - 9	14B-15124-00	14 - 7	4C8-16377-00	17 - 17
14B-11416-20	3 - 6	14B-12213-00	5 - 7	1KB-13400-00	9 - 6	14B-1443J-00	28 - 69	14B-15133-00	14 - 8	5VY-16382-10	17 - 29
14B-11416-30	3 - 6	5BE-12241-00	1 - 22	14B-13410-00	8 - 2	13S-14445-00	10 - 21	5EB-15155-00	14 - 2	14B-16384-00	17 - 13
14B-11416-40	3 - 6	1KB-12251-00	5 - 9	14B-13414-00	9 - 10	14B-14445-00	10 - 16	14B-15156-00	14 - 14	2S3-16539-00	17 - 14
14B-11500-00	3 - 11	14B-12252-00	5 - 10	14B-13416-00	8 - 7	14B-14451-00	10 - 33	14B-15163-00	18 - 10	2D1-17121-10	18 - 9
14B-11549-00	3 - 5	1KB-12405-00	7 - 19	5GH-13440-50	9 - 2	14B-14452-00	10 - 19	36Y-15189-00	14 - 25	1KB-17131-00	18 - 6
14B-11603-00	3 - 8	1KB-12405-10	7 - 20	14B-13470-00	9 - 14	14B-14457-00	10 - 7	4H7-15189-00	14 - 27	4C8-17151-00	18 - 3
14B-11631-00	3 - 7	14B-12410-00	7 - 4	14B-13473-00	9 - 17	14B-14462-00	10 - 8	5PW-15361-00	14 - 22	1KB-17161-00	18 - 8
4C8-11633-00	3 - 9	5LP-12411-00	7 - 5	5EB-13475-00	9 - 16	14B-14465-00	11 - 28	3F9-15362-10	15 - 11	5VY-17211-00	18 - 31
14B-11650-00	3 - 2	14B-12420-01	6 - 1	14B-13490-00	9 - 3	14B-14466-00	11 - 29	14B-15377-00	15 - 5	14B-17221-00	18 - 20
5VY-11654-01	3 - 3	14B-12422-00	6 - 7	8FP-13556-00	10 - 25	14B-14467-00	10 - 31	14B-15379-00	15 - 30	14B-17231-00	18 - 28
14B-11656-00	3 - 4	5VK-12438-00	6 - 4		11 - 4	14B-1446R-00	10 - 20	14B-15393-00	10 - 13	14B-17241-00	18 - 25
14B-11656-10	3 - 4	4XV-12439-00	6 - 6	14B-13573-00	11 - 9	14B-14490-00	10 - 11	14B-15411-00	15 - 1	14B-17251-00	18 - 29
14B-11656-20	3 - 4	14B-1243A-00	7 - 41	14B-13595-00	10 - 2	14B-14498-00	10 - 17	14B-15413-00	15 - 26	14B-17261-00	18 - 23
14B-11656-30	3 - 4	14B-1243E-00	7 - 43	14B-13596-00	10 - 4	14B-14602-00	13 - 1	14B-15416-00	15 - 17	1KB-17402-00	18 - 16
14B-12111-00	4 - 1	14B-1243F-00	7 - 58	1KB-13750-00	11 - 1	4FM-14613-00	13 - 2	14B-15418-00	15 - 6	14B-17411-00	18 - 1
14B-12113-00	4 - 4	14B-1244G-00	7 - 46	1KB-13750-10	11 - 1	14B-14618-00	13 - 19	14B-15421-00	15 - 8	3C3-17460-00	18 - 34
14B-12114-00	4 - 5	14B-12450-00	6 - 5	5S7-13761-00	11 - 22	14B-14623-00	13 - 17	14B-15423-01	15 - 29	14B-18101-01	20 - 9
4C8-12116-00	4 - 3	14B-12461-00	7 - 18	14B-13761-10	10 - 23	14B-1465R-00	13 - 28	14B-15431-01	15 - 18	14B-18110-00	20 - 17
4C8-12117-00	4 - 6	5SL-12462-00	7 - 31	14B-13767-01	10 - 26	14B-1465T-00	13 - 38	14B-15441-01	14 - 23	5JJ-18112-20	20 - 15
1AA-12118-00	4 - 8	14B-12465-00	7 - 24	14B-13795-00	11 - 20	14B-1465U-00	13 - 21	14B-15451-00	15 - 2	5EB-18113-00	20 - 18
1WG-12118-00	4 - 9	14B-12469-10	6 - 30	2C0-13881-00	10 - 40	14B-14710-40	13 - 23	14B-15456-00	15 - 21	5LV-18115-10	20 - 20
4TE-12119-00	4 - 11	5GV-1246E-00	7 - 10	14B-13898-00	8 - 15	5VY-14714-00	13 - 24	14B-15461-00	15 - 13	5LV-18116-00	20 - 23
14B-12121-00	4 - 2		7 - 29	14B-13907-20	28 - 24		13 - 34	14B-15462-00	15 - 27	1D7-18127-00	20 - 4
4C8-12127-00	4 - 7	14B-12481-00	6 - 21	14B-1393A-00	11 - 2	3D8-14715-00	13 - 26	14B-15484-00	40 - 6	14B-18140-00	20 - 12
3P6-12129-00	4 - 10	14B-12482-00	7 - 14	14B-1393B-00	11 - 3		13 - 36	5VY-15499-00	15 - 9	4XV-18154-00	20 - 19
4C8-12153-09	4 - 13	14B-12484-00	6 - 35	14B-13971-00	11 - 32	1KB-14718-00	13 - 52	14B-15515-00	16 - 1		20 - 24
4C8-12153-10	4 - 13	14B-12485-00	7 - 1	14B-13972-00	10 - 34	14B-14720-40	13 - 33	14B-15517-00	16 - 3	2C0-18175-00	20 - 11

NUMERICAL INDEX

PART NO.	REF. NO.	PART NO.	REF. NO.	PART NO.	REF. NO.	PART NO.	REF. NO.	PART NO.	REF. NO.	PART NO.	REF. NO.
14B-18511-00	19 - 5	14B-21649-00	22 - 24	1KB-22210-10	25 - 1	14B-23377-20	26 - 28	14B-2419F-00	28 - 58	14B-25447-20	32 - 15
14B-18512-00	19 - 6	14B-21650-00	24 - 46	1KB-22219-00	25 - 10	13S-23393-00	27 - 14	2SG-24240-00	28 - 2	4C8-25802-00	31 - 6
14B-18513-00	19 - 7	14B-21668-00	24 - 51	4C8-22252-00	24 - 44		27 - 34	5JW-24311-00	11 - 16		31 - 16
14B-18531-00	19 - 8	14B-21669-00	22 - 16	14B-22253-00	25 - 6	4XV-23415-01	26 - 4	14B-24312-00	28 - 30	4C8-25803-00	31 - 7
2C0-18535-00	19 - 9	14B-21682-00	21 - 24	14B-22311-00	24 - 19	4XV-23418-00	26 - 6		28 - 30		31 - 17
14B-18536-00	19 - 11	14B-21684-00	10 - 38	14B-22873-00	21 - 33	4XV-23434-00	34 - 5	14B-24313-00	28 - 32	4C8-25805-00	31 - 8
14B-18540-00	19 - 1	14B-21686-00	10 - 39	14B-22874-00	21 - 34		34 - 12	14B-24313-10	28 - 32		31 - 18
3D7-18542-00	19 - 2	14B-21710-00-P2	23 - 1	1KB-22876-00	21 - 36	1KB-23435-00	26 - 10	14B-24314-00	28 - 33	4C8-2580T-10	31 - 5
14B-18562-00	19 - 12	14B-21710-00-P7	23 - 1	1KB-22877-00	21 - 37	3FV-23462-00	26 - 2	14B-24315-00	28 - 66	4C8-2580U-10	31 - 15
14B-2110N-20	21 - 47	14B-21710-20-P0	23 - 1	14B-22879-00	21 - 39	2H9-23469-00	34 - 20	14B-24316-00	28 - 67	5VY-2580W-12	33 - 3
14B-21110-00	21 - 1	14B-2171A-00-P0	28 - 35	1KB-23102-00	27 - 1	14B-23490-10	26 - 20	68V-24376-00	11 - 17	1KB-2581T-00	31 - 1
14B-21110-20	21 - 1	14B-2171A-00-P4	28 - 35	1KB-23102-10	27 - 1	14B-23495-00	26 - 18	19B-24486-01	28 - 28	1KB-2581U-00	31 - 2
2S3-2111D-00	38 - 54	14B-2171A-00-P8	28 - 35	1KB-23103-00	27 - 21	14B-23808-00	26 - 29	13S-24491-00	28 - 25	3YK-25824-00	35 - 5
	38 - 57	14B-2172W-00	7 - 61	1KB-23103-10	27 - 21	1KB-23874-00	47 - 37	39P-24602-00	28 - 21	3YK-25825-00	35 - 6
14B-2112B-00	21 - 48	14B-21732-00	22 - 22	14B-23106-00	27 - 3	14B-24106-10	28 - 71	14B-24710-00	29 - 1	5SL-25827-00	33 - 17
4C8-2112D-00	38 - 53	3NU-21732-00	39 - 49		27 - 23	14B-24108-10	28 - 79	14B-24711-00	29 - 2	5SL-25827-10	33 - 18
	38 - 56	5PW-21732-00	22 - 21	14B-23106-10	27 - 3	14B-24110-00-P4	28 - 1	5SL-24723-00	29 - 6	5SL-25828-01	33 - 19
14B-21131-00	21 - 16	5VY-21732-00	22 - 20		27 - 23	5PW-2411J-01	28 - 49	13S-24725-00	29 - 11	4ML-2582A-50	37 - 8
14B-2113C-00	21 - 49	4C8-21735-00	22 - 19	14B-23109-00	27 - 10		28 - 50	14B-24725-00	29 - 10	5SL-2582W-00	33 - 1
14B-2113D-00	21 - 50		38 - 4		27 - 30	14B-24121-00	21 - 13	14B-24750-00	29 - 5	5SL-25838-00	33 - 7
14B-21161-00	28 - 9	13S-2173M-00	21 - 35	1KB-23110-01	27 - 2	14B-24122-00	21 - 14	1KB-24780-00	29 - 7	5VY-2583B-00	31 - 14
14B-21162-00	28 - 14	13S-21746-00	21 - 32	14B-23111-00	27 - 12	14B-24135-00	28 - 26	14B-2478E-00	29 - 14		31 - 24
5VY-2117K-01	29 - 16	4C8-21747-00	23 - 3	4TX-23115-00	27 - 7	5SL-2413B-00	28 - 55	2C0-24792-00	29 - 8	14B-2583V-00	37 - 6
4C8-2118K-00	28 - 56	5VU-21747-00	28 - 51		27 - 27	14B-2413Y-10	28 - 17	13S-24847-00	29 - 13	2C0-25852-00	37 - 13
14B-21190-00	21 - 15	4GY-2174X-00	22 - 17	14B-23118-00	27 - 19	14B-2414G-00	28 - 53	4BR-24877-A0	22 - 27	5VY-25852-00	35 - 18
1KB-211C5-00	21 - 20	2TK-21757-00	39 - 4		27 - 39	14B-2414H-00	28 - 40	4XV-25117-00	30 - 2	2VN-25854-00	37 - 14
14B-21414-00	21 - 4		39 - 9	14B-2311J-00	27 - 32	2C0-2414H-00	28 - 72	1KB-25168-00-1X	30 - 1	5VY-25854-00	35 - 16
14B-2141R-00	21 - 6		39 - 23	1KB-23120-01	27 - 22		28 - 80	1KB-25168-00-2X	30 - 1	2VN-25855-00	37 - 15
14B-21424-00	21 - 5		39 - 31	14B-23141-00	27 - 17	3C5-2414H-00	21 - 41	1KB-25168-00-P1	30 - 1	5VY-25855-00	35 - 17
14B-21445-00	13 - 9	5VY-2176V-00	29 - 17		27 - 37	14B-2414J-00	28 - 73	1KB-2517G-00	31 - 4	2VN-25866-00	37 - 9
14B-21446-00	13 - 49	3XV-21778-00	28 - 42	13S-23142-00	27 - 18		28 - 81	2C0-25181-00	30 - 8	5VS-25867-00	35 - 26
14B-2144G-00	48 - 63	5PW-2177L-00	38 - 10		27 - 38	2C0-2414J-00	28 - 74	5PW-25188-00	30 - 9	1KB-25872-00	35 - 23
14B-21495-00	21 - 9		38 - 29	4TX-23144-01	27 - 4		28 - 82	5PW-25317-00	32 - 6	1KB-25874-00	37 - 28
	21 - 12		38 - 44		27 - 24	14B-2414K-10	28 - 52	5VY-25338-00-4X	32 - 1	1KB-25875-00	35 - 1
14B-21511-00-P0	22 - 1		39 - 20	5VX-23145-00	27 - 6	14B-2414N-20	28 - 47	5VY-25338-00-5X	32 - 1	14B-25876-00	35 - 2
14B-21511-00-P2	22 - 1		39 - 27		27 - 26	14B-2414P-20	28 - 48	5VY-25338-00-P5	32 - 1	1KB-2588F-00	37 - 29
14B-21511-00-P5	22 - 1		39 - 36	4TX-23156-00	27 - 5	14B-24170-00	28 - 57	2C0-25364-00	32 - 8	14B-25894-00	37 - 12
13S-21567-00	21 - 38	26H-21828-00	7 - 54		27 - 25	5PX-24180-00	28 - 63	5J-25366-00	32 - 12	5SL-25894-20	35 - 15
14B-21600-00-P2	22 - 15	14B-21871-00	7 - 52	1KB-2315K-00	27 - 8	14B-24181-00	28 - 43	4C8-25381-00	32 - 22	14B-25895-00	37 - 19
14B-21600-00-P6	22 - 15	14B-21875-00	7 - 53	1KB-2315L-00	27 - 28	4FM-24181-00	13 - 32	4XV-25383-00	32 - 7	5VY-25895-10	35 - 19
14B-21600-00-P7	22 - 15	14B-22110-00-P0	24 - 1	14B-2318Y-00	27 - 11	5VY-24181-00	28 - 7	5VY-25389-00	32 - 20	3FV-2589A-00	37 - 11
14B-21615-00	21 - 31	5VY-22128-00	24 - 6		27 - 31		28 - 12	5VY-25389-01	32 - 21	5VY-2589F-01	35 - 8
14B-21629-01	45 - 4	14B-22141-00	24 - 41	14B-2319M-00	27 - 9	4C8-24182-00	28 - 41	5MT-25398-00	30 - 7	5VY-2589G-00	35 - 21
14B-21639-00	22 - 23	2S2-2214F-70	21 - 43		27 - 29	5SL-24183-00	28 - 18		32 - 11	5VY-2589H-00	35 - 22
14B-2163A-00	21 - 25	14B-22151-00	24 - 13	45B-2331E-00	26 - 24	5VY-24183-00	28 - 5	5MT-25398-10	30 - 7	5SL-25914-00	33 - 9
14B-2163E-00	13 - 64	1KB-2217A-00	24 - 23	13S-2332N-00	27 - 15	4BP-24188-00	28 - 4		32 - 11	5DH-25916-00	33 - 14
14B-2163F-00	13 - 69	1KB-2217M-00	24 - 26		27 - 35	14B-24191-10	28 - 6	5MT-25398-20	30 - 7	3JD-25917-00	33 - 11
14B-21640-10	21 - 23	14B-22184-00	24 - 5	14B-23340-00	27 - 41	14B-24192-10	28 - 11		32 - 11	5SL-25917-00	33 - 6

NUMERICAL INDEX

PART NO.	REF. NO.	PART NO.	REF. NO.	PART NO.	REF. NO.	PART NO.	REF. NO.	PART NO.	REF. NO.	PART NO.	REF. NO.
4C8-25919-00	31 - 10	14B-27442-10	36 - 13	14B-2836M-10-P7	39 - 37	14B-28429-10	38 - 3	14B-82501-40	47 - 12	5VX-84745-01	45 - 5
	31 - 20	14B-27443-10	36 - 22	14B-2836N-10-P0	39 - 48	14B-28435-00	21 - 46	4BH-82511-09	47 - 13	14B-84751-00	45 - 15
5SL-25919-00	33 - 8	14B-27445-10	36 - 19	14B-2836N-10-P2	39 - 48	3JJ-28446-A1	22 - 26	14B-82530-00	48 - 62	11H-85110-01	47 - 40
2S3-25919-10	31 - 11	14B-27446-10	36 - 29	14B-2836N-10-P7	39 - 48	14B-2845D-10	38 - 73	14B-82540-01	47 - 17	14B-85112-00	47 - 43
	31 - 21	1KB-27451-00	36 - 14	14B-2836T-00	39 - 38	14B-2846C-00	38 - 71	1KB-82552-00	26 - 17	14B-85122-00	47 - 44
5VY-25921-01	33 - 10	1KB-27461-00	36 - 23	14B-28371-10	39 - 28	14B-2846D-00	38 - 72	13S-82566-50	48 - 3	3Y6-85130-02	45 - 13
4SV-25924-00	31 - 9	14B-27469-00	36 - 50	3CV-28372-00	22 - 18	4B5-2847F-00	39 - 55	5VU-82576-01	48 - 35	449-85131-02	45 - 18
	31 - 19	14B-27490-00	36 - 52	20S-28376-00	44 - 4	J44-78248-00	38 - 30	1KB-82590-10	48 - 19	14B-85720-00	47 - 20
8CR-25924-00	33 - 13	1KB-27498-00	13 - 55	14B-2837L-00-P5	38 - 52		38 - 45	4XV-82911-10	46 - 1	8CC-85790-01	47 - 2
3GM-25925-00	31 - 12	1KB-27499-00	13 - 56	14B-2837L-00-P6	38 - 52	4D9-81168-00	47 - 25	4XV-82917-01	46 - 8	14B-85870-00	10 - 10
	31 - 22	14B-2749A-00	36 - 53	14B-2837M-00-P5	38 - 55		47 - 30	5PW-83310-10	42 - 1	13S-85884-00	11 - 24
5SL-25926-00	33 - 15	1KB-2749A-00	13 - 57	14B-2837M-00-P6	38 - 55	14B-81410-00	40 - 2	2C0-83318-00	42 - 9	13S-85885-00	11 - 25
5VY-25975-00	35 - 7	14B-2749B-00	36 - 54	14B-28380-40	38 - 1	14B-81450-00	40 - 1		42 - 18	8FP-85886-00	47 - 9
14B-26121-00	34 - 1	1KB-2749B-00	13 - 61	14B-28386-00	39 - 3	14B-81670-00	47 - 27	5PW-83320-10	42 - 5	5VY-85896-01	47 - 29
14B-26122-00	34 - 8	1KB-2749C-00	13 - 62		39 - 8	14B-81673-00	47 - 3	14B-83330-10	42 - 10	1KB-8591A-20	47 - 11
4C8-26240-00	34 - 13	14B-2749D-00	36 - 55		39 - 12	4C8-81801-01	41 - 2	5GJ-83331-00	42 - 2	14B-8592A-00	13 - 8
2C0-26241-00	34 - 6	1KB-2749D-00	13 - 63		39 - 22	8FA-8181L-00	41 - 5		42 - 6	1KB-85970-00	47 - 38
5PW-26246-10	34 - 3	4C8-27813-00	36 - 28		39 - 29	14B-8183G-10	41 - 10	5PW-83331-00	42 - 11	5VY-8A8E0-00	47 - 21
	34 - 10	14B-27911-00	48 - 8	14B-2838J-00	38 - 50	4C8-81846-00	41 - 4		42 - 15	2S3-W0041-00	35 - 4
14B-26280-00	38 - 62	14B-27961-00	48 - 6	14B-2838N-00-P5	38 - 20	4C8-81861-00	41 - 8	5PW-8333A-10	42 - 3	14B-W0042-00	37 - 7
3LN-26281-01	34 - 17	14B-28100-00	22 - 28	14B-2838N-00-P6	38 - 20	14B-81890-00	41 - 1		42 - 16	5VX-W0046-00	33 - 12
3LN-26282-01	34 - 18	4B5-2815K-00	38 - 75	14B-2838P-00	38 - 51	2C0-81940-00	48 - 31	14B-83340-10	42 - 14	5SL-W0047-00	33 - 5
14B-2628N-00	38 - 65	14B-28227-00	21 - 42	14B-2838R-00-P5	38 - 35	1ST-81950-00	48 - 29	5PW-8334A-10	42 - 7	1J3-W0048-00	31 - 13
14B-2628R-00	38 - 66	14B-28237-00	21 - 44	14B-2838R-00-P6	38 - 35		48 - 39		42 - 12		31 - 23
14B-26290-00	38 - 63	1KB-2830P-00	38 - 5	14B-2838T-00	38 - 21	5VK-81950-40	48 - 28	4MY-83350-01	48 - 27	1UY-W0048-00	33 - 16
5VY-26292-11	26 - 14	1KB-2831U-00	38 - 11	14B-2838U-00	38 - 36	5JJ-81952-00	48 - 30	14B-83371-00	48 - 1	5VY-W0057-00	33 - 4
4C8-26298-00	38 - 64	14B-28321-00	39 - 46	14B-2838V-00	38 - 25		48 - 40	1KB-83500-20	43 - 1	5VY-W2470-00	29 - 15
14B-26302-01	34 - 14	14B-28322-00	14 - 10	14B-2838W-00	38 - 40	1D7-81960-01	48 - 25	4XV-83513-00	38 - 17	14B-W2587-00	35 - 3
2C0-26326-00	37 - 17	2SG-2832K-00	38 - 8	2SG-28391-00	39 - 5	5VY-82100-00	48 - 18	5PW-8352S-00	43 - 4	14B-W2838-H0-P6	39 - 17
14B-26335-01	34 - 7	2SG-2832L-00	38 - 9	2SG-28391-10	39 - 5	14B-82116-00	48 - 16	14B-8353E-00	43 - 2	14B-W2838-J0-P1	39 - 17
5VY-26398-00	26 - 27	1KB-2832U-00	38 - 12	1KB-28391-B0	39 - 5	5SL-82119-10	48 - 34	14B-83572-00	43 - 3	14B-W2838-L0-P3	39 - 17
14B-27211-00	37 - 1	14B-28356-10	38 - 16	2SG-28392-00	39 - 10	1KB-82122-00	22 - 8	14B-83755-00	47 - 24	14B-W2839-H0-P6	39 - 24
4XV-27222-01	37 - 21	1KB-2835G-00-P0	38 - 7	2SG-28392-10	39 - 10	14B-8212B-00	22 - 7	5EB-83912-03	46 - 2	14B-W2839-J0-P1	39 - 24
14B-27311-00	36 - 1	1KB-2835G-00-P5	38 - 7	1KB-28392-B0	39 - 10	14B-8212C-00	22 - 14	5JJ-83913-00	46 - 11	14B-W2839-L0-P3	39 - 24
14B-27321-00	36 - 2	14B-2836A-00	39 - 32	2SG-28393-00	39 - 6	5JJ-82131-00	22 - 11	14B-83922-00	35 - 10	1KB-W283G-70-P1	38 - 7
14B-27351-00	36 - 3	4KN-2836B-00	23 - 4	2SG-28394-00	39 - 11	36Y-82151-00	48 - 32	4XV-83929-00	46 - 7	14B-W283U-2B-P1	39 - 2
14B-27352-00	36 - 4	5GT-2836B-00	26 - 12	1KB-2839B-01	39 - 6	5JJ-82151-00	48 - 23	2C0-83945-00	46 - 3	14B-W283U-2D-P7	39 - 2
13S-27417-00	36 - 49	4KN-2836B-10	23 - 4		39 - 11	5JJ-82151-10	48 - 20	5LV-83951-00	46 - 6	14B-W283U-2E-P0	39 - 2
14B-2741L-10	36 - 33		38 - 6	14B-2839K-00-P5	38 - 24	5JW-82151-10	48 - 22	14B-83963-00	46 - 14	14B-W283V-2B-P1	39 - 7
14B-27424-00	13 - 45	14B-2836E-00	39 - 34	14B-2839K-00-P6	38 - 24	5JJ-82151-20	48 - 21	1KB-83972-00	46 - 12	14B-W283V-2D-P7	39 - 7
4XV-27424-00	13 - 10	14B-2836F-00	21 - 54	14B-2839L-00-P5	38 - 39	5JJ-82151-30	48 - 24	4HM-83980-00	35 - 11	14B-W283V-2E-P0	39 - 7
14B-2742L-10	36 - 41	14B-2836G-00	21 - 59	14B-2839L-00-P6	38 - 39	14B-82176-20	22 - 9	1KB-84300-00	44 - 1	1KB-Y212E-00	21 - 18
5JJ-27431-10	36 - 32	14B-2836H-00	48 - 9	2SG-283A1-00	39 - 18	14B-82309-00	47 - 16	5PS-84314-00	44 - 2	14B-Y2410-00-07	28 - 1
4C8-27434-00	20 - 25	14B-2836J-00	48 - 13	2SG-283A2-00	39 - 25	1KB-82310-00	47 - 15	1KB-84359-10	44 - 8	14B-YK241-00-P5	28 - 1
	37 - 2	14B-2836K-00	39 - 14	14B-283C1-00	39 - 43	14B-82318-00	10 - 27	14B-84396-00	44 - 3	90101-08013	24 - 2
5JJ-27437-01	36 - 36	14B-2836L-00	39 - 15	14B-283C2-00	39 - 54	2C0-82380-00	11 - 26	14B-84516-00	45 - 3	90105-06027	1 - 10
	36 - 44	14B-2836M-10-P0	39 - 37	14B-28425-00	21 - 40		47 - 32	14B-84710-10	45 - 1	90105-06041	35 - 28
5JJ-27441-10	36 - 40	14B-2836M-10-P2	39 - 37	14B-28428-10	38 - 2	1KB-82386-00	11 - 27	4HC-84744-00	45 - 6	90105-06066	6 - 13

NUMERICAL INDEX

PART NO.	REF. NO.	PART NO.	REF. NO.	PART NO.	REF. NO.	PART NO.	REF. NO.	PART NO.	REF. NO.	PART NO.	REF. NO.
90105-06148	48 - 26	90110-06175	26 - 19	90111-06095	13 - 73	90179-05523	28 - 45	90201-177G4	20 - 13	90338-06018	48 - 12
90105-06165	14 - 18		47 - 31	90111-06119	7 - 63		38 - 26	90201-20026	24 - 43	90338-15004	21 - 21
90105-06174	39 - 35	90110-06178	15 - 31		48 - 10		38 - 34	90201-22015	18 - 35	90340-12003	14 - 5
90105-06181	14 - 11	90110-06182	6 - 24	90111-06127	13 - 54		38 - 41	90201-25020	32 - 24	90340-14132	9 - 7
90105-06557	26 - 31		6 - 41		13 - 60		38 - 49	90201-25291	27 - 16	90340-18002	1 - 4
90105-07006	5 - 4		7 - 2	90111-06129	21 - 28	90179-08410	13 - 3		27 - 36	90387-05003	45 - 11
90105-08052	38 - 18		8 - 9	90111-06140	28 - 62	90179-10028	21 - 8	90201-257H0	18 - 37	90387-05028	37 - 16
90105-08108	26 - 25		8 - 16	90111-06145	21 - 58		21 - 11	90201-281U8	26 - 9	90387-06055	28 - 19
90105-10017	24 - 29		9 - 13		21 - 63	90179-10029	1 - 15	90201-30016	24 - 45	90387-06057	24 - 48
	24 - 35		40 - 7	90111-08066	36 - 48	90179-22019	18 - 36	90201-44008	17 - 33		26 - 15
90105-10018	24 - 33	90110-06193	10 - 1	90111-08071	13 - 44	90179-30691	26 - 5	90202-05180	38 - 28	90387-06066	24 - 16
90105-10020	25 - 8	90110-06200	13 - 6	90111-08073	36 - 8	90183-04039	48 - 38		38 - 43		24 - 17
90105-10150	24 - 39	90110-06223	16 - 6	90116-10048	32 - 16	90183-05074	28 - 39		38 - 59		29 - 3
90105-10290	47 - 7	90110-06233	28 - 36	90116-10051	14 - 12	90183-05076	24 - 20		38 - 61		37 - 31
90105-10397	31 - 25	90110-06245	48 - 11	90119-05015	28 - 44		38 - 13	90202-06005	39 - 13	90387-06112	6 - 40
90105-12062	21 - 2		48 - 15	90119-06177	7 - 60		47 - 36		39 - 30		13 - 7
90105-126A8	40 - 3	90110-06256	7 - 15	90119-06262	28 - 15	90183-050A0	26 - 16	90202-30235	26 - 7	90387-06143	28 - 10
90105-14002	30 - 10	90110-06258	29 - 4	90119-09010	14 - 13	90183-06069	48 - 14	90206-14086	20 - 27	90387-0614M	7 - 23
90109-06016	41 - 12	90110-06315	1 - 18	90149-06022	6 - 42	90183-060A2	13 - 27	90208-25002	17 - 3		7 - 32
90109-06031	36 - 51	90110-06340	14 - 24	90149-06043	31 - 3		13 - 37	90209-25011	18 - 4	90387-06170	13 - 53
90109-06100	14 - 17	90110-06343	13 - 20	90149-06079	9 - 11	90185-10011	32 - 17	90209-28008	18 - 21		13 - 59
90109-06248	23 - 7	90110-06378	28 - 16	90149-06082	14 - 9	90185-20008	24 - 42	90214-25003	18 - 13	90387-061Y1	21 - 29
90109-06264	36 - 57	90110-06387	15 - 4		18 - 15	90185-24007	32 - 23	90214-25004	18 - 12	90387-06203	28 - 38
90109-066F0	1 - 28		15 - 28	90149-06128	40 - 5	90201-047A2	48 - 37	90214-28002	18 - 27	90387-06217	13 - 15
	36 - 30	90110-06388	15 - 15	90149-06152	15 - 10	90201-05021	41 - 7	90214-29002	18 - 26		21 - 55
90109-08174	36 - 18		15 - 23		15 - 20	90201-05039	47 - 42	90240-08084	36 - 16		21 - 60
	36 - 27	90110-06389	15 - 16	90149-06156	1 - 11	90201-06071	7 - 34		36 - 25	90387-062L2	28 - 60
90109-08195	47 - 14	90110-06390	15 - 7	90149-06158	8 - 14	90201-06074	7 - 35	90269-04025	21 - 22	90387-062X0	24 - 15
90109-085G6	36 - 21	90110-06396	15 - 22		15 - 25	90201-06589	16 - 5	90269-05001	28 - 65	90387-06372	7 - 62
	36 - 31	90110-10023	21 - 10		16 - 8	90201-08057	24 - 4	90269-06001	23 - 6	90387-064T3	38 - 68
90110-05028	28 - 29	90110-10024	21 - 7		19 - 13	90201-08080	13 - 16	90269-06008	39 - 1	90387-065J6	22 - 3
90110-05030	28 - 27	90110-10025	36 - 12	90149-06302	22 - 10	90201-08082	13 - 48		39 - 16		39 - 53
90110-05047	10 - 12	90111-05002	24 - 50		24 - 49	90201-08103	20 - 26		39 - 58	90387-06681	7 - 59
90110-05067	47 - 19	90111-05026	35 - 29	90149-08009	33 - 2		37 - 3	90269-06016	21 - 53	90387-06697	36 - 39
90110-05112	28 - 22		37 - 22	90153-06002	6 - 37	90201-081R9	36 - 7	90269-06081	23 - 5		36 - 47
90110-06156	21 - 30	90111-05034	38 - 27	90159-06026	17 - 12	90201-08676	26 - 26	90269-07012	22 - 13	90387-06M16	48 - 65
90110-06161	47 - 26		38 - 42	90159-06150	48 - 66	90201-087G2	13 - 43	90269-07076	22 - 25	90387-07717	24 - 22
90110-06163	21 - 17		38 - 58	90160-05006	38 - 19	90201-08M09	26 - 23	90269-07077	22 - 12	90387-08005	13 - 11
	21 - 19		38 - 60		43 - 5	90201-10029	17 - 22		38 - 31	90387-08021	13 - 51
	28 - 20		38 - 69	90160-05007	44 - 7	90201-10034	47 - 6		38 - 46	90387-08039	13 - 46
	29 - 9		38 - 70	90170-06228	20 - 21	90201-10035	1 - 14		39 - 45	90387-087L0	13 - 67
	39 - 44	90111-06003	36 - 20	90170-28419	26 - 8		1 - 16		39 - 57		13 - 72
	39 - 56	90111-06019	20 - 28	90176-05003	47 - 41		36 - 10	90282-03005	47 - 5	90387-10034	24 - 38
90110-06167	6 - 17	90111-06030	22 - 5	90176-06014	7 - 7	90201-12008	40 - 4	90338-06018	21 - 57	90387-1012A	24 - 31
90110-06168	47 - 28	90111-06041	26 - 13	90176-06055	38 - 67	90201-12575	20 - 8		21 - 62		24 - 37
90110-06169	9 - 5	90111-06043	22 - 4	90176-10075	1 - 17	90201-12790	47 - 1		23 - 2	90387-1013U	24 - 32
90110-06173	8 - 6	90111-06083	24 - 21	90179-05013	21 - 64	90201-127E1	20 - 3		28 - 75	90387-11006	47 - 4
90110-06175	1 - 27	90111-06095	13 - 68		21 - 65	90201-146F9	36 - 11		28 - 83	90387-22016	30 - 11

NUMERICAL INDEX

PART NO.	REF. NO.	PART NO.	REF. NO.	PART NO.	REF. NO.	PART NO.	REF. NO.	PART NO.	REF. NO.	PART NO.	REF. NO.
90387-22023	24 - 12	90464-13077	48 - 51	90480-08005	38 - 38	90560-06244	26 - 30	92014-06014	47 - 39	93306-07208	30 - 3
90387-25008	18 - 30		48 - 52		47 - 8	90560-08213	29 - 12	92014-08035	13 - 12	93306-20531	32 - 2
90387-25023	18 - 7	90464-14003	48 - 61	90480-08006	39 - 41	90560-08251	21 - 56	92902-04100	35 - 13		32 - 13
90387-28003	18 - 2	90464-14228	21 - 27		39 - 51		21 - 61	92902-04600	35 - 14	93306-205A2	18 - 38
90387-28004	18 - 24	90464-15195	44 - 9	90480-10542	28 - 8		39 - 40	92902-06200	37 - 24	93306-20652	18 - 11
90387-28016	32 - 18	90464-16005	11 - 33		28 - 13		39 - 50	92902-06600	45 - 16	93306-27209	18 - 14
90387-28019	32 - 19	90464-16006	13 - 74	90480-11009	45 - 12	91312-04025	48 - 36	92907-05200	45 - 10	93306-80502	19 - 4
90387-30012	18 - 18	90464-16020	38 - 14	90480-12005	24 - 47	91312-05010	28 - 23	92907-08600	17 - 31	93306-97202	24 - 9
90387-31003	18 - 19	90464-16061	10 - 28	90480-12010	6 - 39	91312-05020	47 - 35	93101-18061	25 - 5	93310-23168	17 - 18
90401-10172	35 - 24		48 - 44	90480-12023	28 - 37	91312-06012	48 - 17	93102-12106	20 - 6	93310-24160	16 - 2
	37 - 26		48 - 45	90480-12072	22 - 2	91312-06016	28 - 3	93102-15212	17 - 27	93315-21570	17 - 28
90401-20008	9 - 1	90464-20022	26 - 21	90480-12579	13 - 13	91312-06025	5 - 8	93102-40330	18 - 32	93315-31758	24 - 24
90413-06031	11 - 30	90464-21256	48 - 56	90480-12581	13 - 66		34 - 19	93106-28004	24 - 11		24 - 27
90413-07023	7 - 45	90464-28003	12 - 9		13 - 71	91312-06035	36 - 37	93106-28043	30 - 4		25 - 2
90430-06014	1 - 12	90464-36004	48 - 54	90480-12596	39 - 42		36 - 45	93106-40013	32 - 3	93317-11096	17 - 30
	6 - 36	90464-47002	44 - 5		39 - 52	91312-06045	6 - 11		32 - 14	93317-11295	20 - 5
90430-10005	35 - 25	90464-59001	48 - 59	90480-12607	48 - 64	91314-06012	6 - 34	93109-17071	24 - 25	93317-428U8	24 - 8
	37 - 27	90465-08053	47 - 23	90480-13010	8 - 4	91314-06016	37 - 30		24 - 28	93317-43580	32 - 4
90445-08028	47 - 33	90465-10098	48 - 57	90480-13018	28 - 59	91314-08025	34 - 2		25 - 3	93317-52897	24 - 7
90445-08036	7 - 55		48 - 58	90480-13567	38 - 74		34 - 9	93210-04092	14 - 3	93399-99932	26 - 3
90445-107A5	48 - 55	90465-13M11	48 - 43	90480-15363	7 - 22	91314-08030	26 - 11	93210-06001	41 - 9	93399-99957	26 - 1
90445-11418	28 - 68		48 - 49	90501-06022	19 - 3		27 - 42	93210-06667	6 - 20	93399-999T4	25 - 4
90445-19002	36 - 6	90467-08003	7 - 56	90501-080A2	19 - 10	91314-08035	27 - 20		8 - 13	93420-61M07	32 - 5
90446-15386	37 - 5	90467-08021	47 - 34	90501-12743	36 - 34		27 - 40	93210-07540	14 - 15	93440-28184	18 - 5
90450-22017	7 - 39	90467-08075	7 - 64		36 - 42	91317-05020	34 - 15	93210-09525	8 - 12	93440-30113	25 - 7
90450-35001	6 - 29	90467-09006	28 - 34	90501-240A2	17 - 11	91317-05025	34 - 16	93210-12010	8 - 11	93440-31187	18 - 22
	7 - 9		28 - 70	90506-18008	36 - 5	91317-06020	35 - 27	93210-14003	8 - 8	93440-52009	18 - 39
	7 - 17	90467-100A1	11 - 31	90506-18021	20 - 1	91317-06025	34 - 4	93210-15566	9 - 4	93440-62032	18 - 33
	7 - 28	90467-10M04	7 - 57	90506-18022	37 - 4		34 - 11	93210-15620	37 - 10	93450-18157	3 - 10
90450-38040	6 - 28	90467-11044	7 - 48	90508-16041	17 - 21	91317-06030	7 - 33	93210-16325	14 - 26	93501-04011	36 - 35
	7 - 11		7 - 51	90508-18134	36 - 15	91401-25015	36 - 17	93210-207A0	14 - 28		36 - 43
	7 - 13	90467-11090	7 - 42	90508-18135	36 - 24		36 - 26	93210-21001	47 - 18	93603-12007	6 - 10
	7 - 30		7 - 44	90508-32141	20 - 10	91402-16012	37 - 25	93210-22M93	8 - 3	93603-17070	6 - 9
90450-45001	13 - 22		7 - 47	90520-01001	38 - 32	91702-06018	37 - 23	93210-235A1	6 - 22	93607-44002	5 - 11
	13 - 29		7 - 50		38 - 47	91808-16023	1 - 5		6 - 38	93610-20189	15 - 14
	13 - 39	90467-12085	37 - 18	90520-03005	38 - 33		1 - 6		7 - 3	93900-00030	30 - 6
90450-60004	10 - 3	90467-120A3	35 - 20		38 - 48		1 - 7	93210-25711	41 - 3		32 - 10
	10 - 5	90467-160A2	10 - 14	90520-03010	21 - 45		1 - 8	93210-27370	6 - 23	94112-17111	30 - 5
90461-15139	28 - 64		10 - 36	90520-05011	39 - 39		1 - 9	93210-27778	15 - 12	94119-17072	32 - 9
90464-09M31	28 - 31	90467-17003	12 - 8	90520-08002	28 - 54	91808-30031	6 - 16	93210-357A2	6 - 18	94580-31082	8 - 1
90464-12009	48 - 53	90467-180A0	12 - 7	90520-10005	28 - 77	92012-05014	10 - 29	93210-41N50	27 - 13	94582-30120	32 - 25
90464-12089	48 - 60	90467-18172	12 - 4		28 - 85	92012-05016	48 - 7		27 - 33	94591-60126	5 - 5
90464-13073	48 - 41		12 - 6	90520-15001	21 - 51	92012-05025	48 - 4	93210-46044	6 - 31	94682-30031	32 - 26
	48 - 42	90467-200A0	6 - 26	90520-15004	21 - 52	92012-06010	13 - 31	93210-49046	7 - 6	94701-00424	1 - 19
	48 - 47		7 - 40	90520-15010	38 - 15		13 - 41	93210-68001	15 - 19	95022-06008	48 - 33
	48 - 48	90480-01558	13 - 65	90520-30004	39 - 21	92012-06016	24 - 14	93305-20605	18 - 17	95022-06016	47 - 22
	48 - 50		13 - 70	90560-05N33	28 - 76		24 - 18	93306-00106	6 - 2	95022-06020	6 - 15
90464-13077	48 - 46	90480-08005	38 - 23		28 - 84		28 - 61	93306-00304	17 - 10		20 - 16

NUMERICAL INDEX

PART NO.	REF. NO.	PART NO.	REF. NO.	PART NO.	REF. NO.	PART NO.	REF. NO.	PART NO.	REF. NO.	PART NO.	REF. NO.
95022-06025	6 - 8	97706-04012	42 - 8								
95024-06025	6 - 32		45 - 7								
95027-06020	46 - 5	97707-04012	42 - 13								
95302-06700	41 - 6		42 - 17								
	41 - 11	98502-04012	35 - 12								
95302-08600	24 - 3	98507-04010	46 - 10								
95304-06700	20 - 22	98507-05025	46 - 13								
95307-08700	37 - 20	98507-05045	46 - 15								
95602-05100	45 - 9	98707-03016	46 - 9								
95602-05200	45 - 14	98902-05008	28 - 78								
	48 - 5		28 - 86								
95602-06100	45 - 17	98902-05014	10 - 32								
95602-06200	36 - 38		28 - 46								
	36 - 46	98902-05020	10 - 35								
95602-08200	26 - 22		45 - 8								
95602-10200	24 - 30	99001-07600	17 - 32								
	24 - 34	99002-10600	20 - 7								
	24 - 36	99009-10400	17 - 23								
	24 - 40	99009-12400	6 - 14								
	25 - 9	99009-17400	20 - 14								
	36 - 9	99009-42500	24 - 10								
95602-16200	25 - 11	99241-00240	39 - 19								
95607-06200	7 - 37		39 - 26								
	46 - 4	99244-00240	39 - 19								
95612-08625	1 - 13		39 - 26								
95617-06100	35 - 9	99247-00240	39 - 19								
95702-05500	45 - 19		39 - 26								
95702-06500	22 - 6	99530-08012	9 - 9								
95802-06012	39 - 47		15 - 3								
	48 - 2	99530-10014	14 - 4								
95802-06016	39 - 33	99530-10114	1 - 30								
95812-06040	14 - 21		2 - 3								
95812-06050	14 - 20										
95812-06060	14 - 19										
95812-08040	13 - 42										
95812-08045	13 - 47										
95812-08060	14 - 16										
95812-12080	21 - 3										
95814-08035	13 - 25										
	13 - 35										
95827-06030	7 - 36										
97702-50012	38 - 22										
	38 - 37										
97702-50014	45 - 2										
97702-50016	21 - 26										
	44 - 6										
	47 - 10										
97706-04012	42 - 4										