

PARTS CATALOGUE

FZS6X (4S88) U49

FZS6XC (4S89) CALIFORNIA

FZS6X (4S8A) CANADA

FZS6X/FZS6XC
PARTS CATALOGUE
©2007 by Yamaha Motor Co., Ltd.
1st edition, September 2007
All rights reserved.
Any reprinting or unauthorized use
without the written permission of
Yamaha Motor Co., Ltd.
is expressly prohibited.
Printed in Japan.

A3

FOREWORD

This Parts Catalogue is related to the parts for the model(s) on the cover page. When you are ordering replacement parts, please refer to this Parts Catalogue and quote both part numbers and part names correctly.

1. Modifications or additions which have been made after the issue of the Parts Catalogue will be announced in the Parts News.

It is advisable that you make the necessary corrections to the Parts Catalogue according to the Parts News.

2. Abbreviations

The following abbreviations are used in this Parts Catalogue.

“UR” Use specified parts number.

“UN” Use as many as needed.

“AP” Alternate Parts

“LM” Locally Made (Parts need to be ordered locally)

“F#” Frame No. (Applicable machine No.)

“O/S” Over Size

3. The number of components for assembly

- Parts, which are to be supplied in an assembly, are listed with a dot (.) in front of the part name as shown below.
- The numeral appearing to the right of each component part indicates the quantity of parts for each assembly unit.

PART NO.	DESCRIPTION	Q'TY	REMARKS
2F5-83310-60	FRONT FLASHER LIGHT ASSY	2	
115-83311-60	.BULB (6V-18W)	1	

4. Applicable colours of graphics are represented in the “REMARKS” as shown below.

PART NO.	DESCRIPTION	Q'TY	REMARKS
2N4-24110-00-X5	FUEL TANK COMP.	2	MXR
3J1-24240-10	.GRAPHIC, FUEL TANK	1	FOR MXR

5. Note that the illustrations for reference in finding parts numbers are not to be used for assembling. When assembling, please use the applicable service manual.

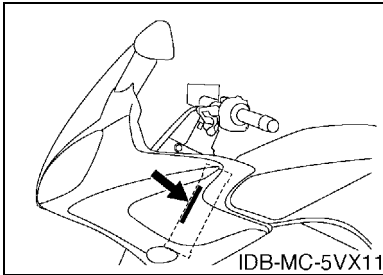
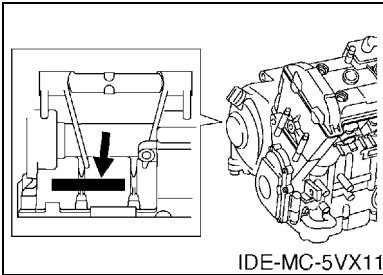
6. The asterisk (*) before a reference number indicates modified items after the first edition.

FOREWORD

7. Applicable Serial No.

Engine Serial No.

Frame Serial No.



8. Applicable Colour Code (The (*) mark shows Model colour.)

Abbreviation	Colour Name	Colour Code
DPBMU(*)	DARK PURPLISH BLUE METALLIC U	0996
LGB	LOW GLOSS BLACK	0098
MBL2	MAT BLACK 2	0582
SMX(*)	BLACK METALLIC X	0903

CONTENTS

ENGINE

CYLINDER	B2
CRANKSHAFT & PISTON	B3
VALVE	B4
CAMSHAFT & CHAIN	B6
WATER PUMP	B7
RADIATOR & HOSE	B8
OIL PUMP	B10
OIL CLEANER	B11
INTAKE	B12
INTAKE 2	B13
AIR INDUCTION SYSTEM	B15
EXHAUST	C2
CRANKCASE	C4
CRANKCASE COVER 1	C6
STARTER	C8
CLUTCH	C9
TRANSMISSION	C11
SHIFT CAM & FORK	C13
SHIFT SHAFT	C14

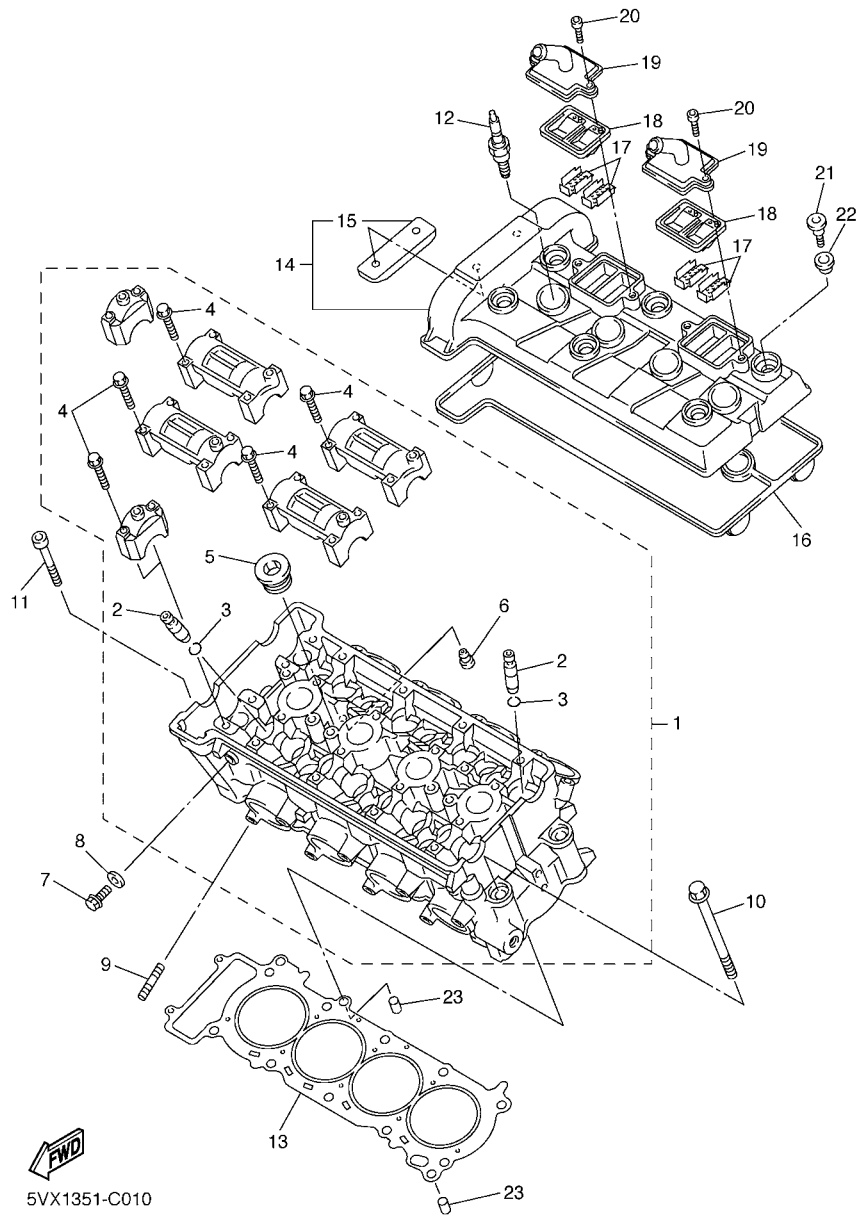
CHASSIS

FRAME	D2
FENDER	D4
SIDE COVER	D7
REAR ARM	D9
REAR SUSPENSION	D10
STEERING	D11
FRONT FORK	D12
FUEL TANK	D14
SEAT	E2
FRONT WHEEL	E3
FRONT BRAKE CALIPER	E4
REAR WHEEL	E5
REAR BRAKE CALIPER	E7
STEERING HANDLE & CABLE	E8
FRONT MASTER CYLINDER	E9
STAND & FOOTREST	E10
REAR MASTER CYLINDER	E13
COWLING 1	E14
GENERATOR	F2
STARTING MOTOR	F3

FLASHER LIGHT	F4
METER	F5
HEADLIGHT	F6
TAILLIGHT	F7
HANDLE SWITCH & LEVER	F8
ELECTRICAL 1	F9
ELECTRICAL 2	F11

INDEX

NUMERICAL INDEX	M1
-----------------------	----



5VX1351-C010

FIG. 1 CYLINDER

REF. NO.	PART NO.	DESCRIPTION	4S88	4S89	4S8A	REMARKS
1	1B3-11101-00	CYLINDER HEAD ASSY	1	1	1	
2	5EB-11133-10	.GUIDE, VALVE 1	16	16	16	
3	93440-10153	.CIRCLIP	16	16	16	
4	90105-06027	.BOLT, FLANGE	20	20	20	
5	90340-20090	.PLUG, STRAIGHT SCREW	3	3	3	
6	11H-15138-00	.NOZZLE 1	1	1	1	
7	95027-08012	BOLT, FLANGE	1	1	1	
8	90430-08119	GASKET	1	1	1	
9	95617-08625	BOLT, STUD	8	8	8	
10	90119-10003	BOLT, WITH WASHER	10	10	10	
11	91314-06060	BOLT	2	2	2	
12	94701-00403	PLUG, SPARK (NGK CR9EK)	4	4	4	
13	5VX-11181-00	GASKET, CYLINDER HEAD 1	1	1	1	
14	1B3-11191-00	COVER, CYLINDER HEAD 1	1	1	1	
15	5BE-12241-00	.GUIDE, STOPPER 2	1	1	1	
16	5SL-11193-00	GASKET, HEAD COVER 1	1	1	1	
17	5SL-1482K-00	PLATE	4	4	4	
18	5SL-14890-00	REED VALVE ASSY	2	2	2	
19	5SL-14899-00	CAP, CASE	2	2	2	
20	91317-06020	BOLT	4	4	4	
21	90109-066F0	BOLT	6	6	6	
22	4KG-1111G-00	RUBBER, MOUNT 1	6	6	6	
23	99530-10114	PIN, DOWEL	2	2	2	

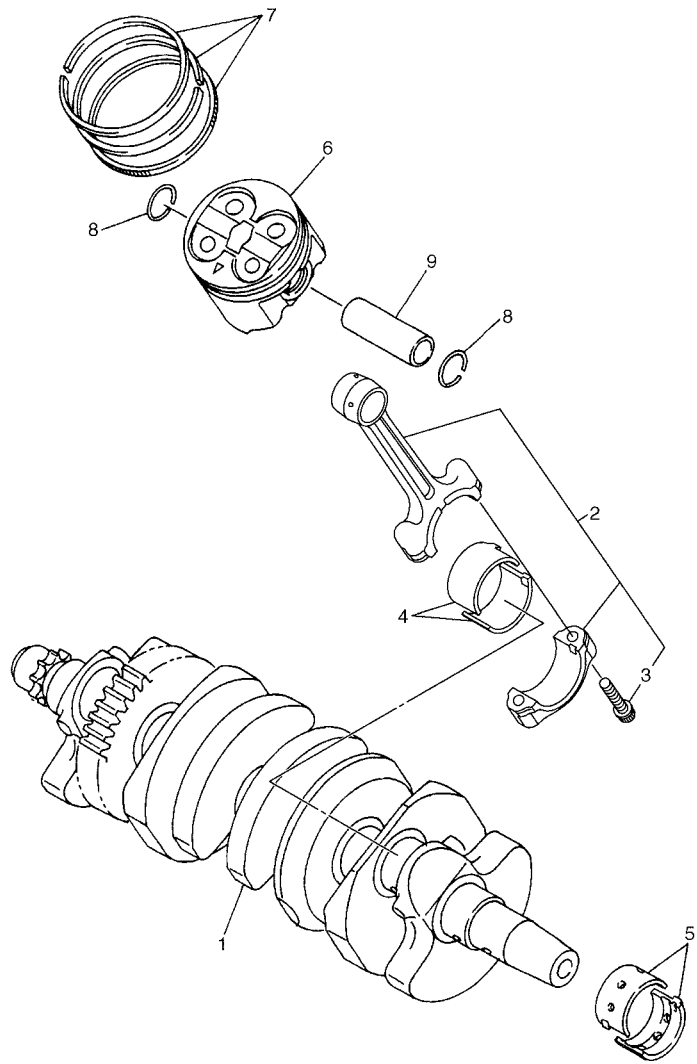
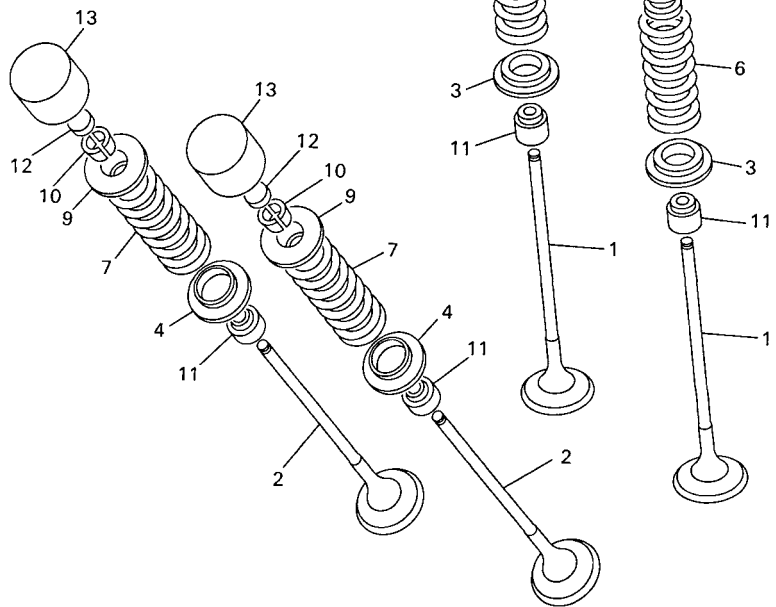


FIG. 2 CRANKSHAFT & PISTON

REF. NO.	PART NO.	DESCRIPTION	4S88	4S89	4S8A	REMARKS
1	5SL-11411-00	CRANKSHAFT	1	1	1	
2	5VX-11650-00	CONNECTING ROD ASSY	4	4	4	
3	5VX-11654-00	.BOLT, CONNECTING ROD	2	2	2	
4	5VX-11656-00	PLANE BEARING, CONNECTING ROD	8	8	8	UR BLUE
	5VX-11656-10	PLANE BEARING, CONNECTING ROD	8	8	8	UR BLACK
	5VX-11656-20	PLANE BEARING, CONNECTING ROD	8	8	8	UR BROWN
	5VX-11656-30	PLANE BEARING, CONNECTING ROD	8	8	8	UR GREEN
5	5EB-11416-A0	PLANE BEARING, CRANKSHAFT 1	10	10	10	UR WHITE
	5EB-11416-00	PLANE BEARING, CRANKSHAFT 1	10	10	10	UR BLUE
	5EB-11416-10	PLANE BEARING, CRANKSHAFT 1	10	10	10	UR BLACK
	5EB-11416-20	PLANE BEARING, CRANKSHAFT 1	10	10	10	UR BROWN
	5EB-11416-30	PLANE BEARING, CRANKSHAFT 1	10	10	10	UR GREEN
6	5SL-11631-00	PISTON (STD)	4	4	4	
7	5SL-11603-00	PISTON RING SET (STD)	4	4	4	
8	93450-17129	CIRCLIP	8	8	8	
9	5EB-11633-00	PIN, PISTON	4	4	4	



5VX6300-D020

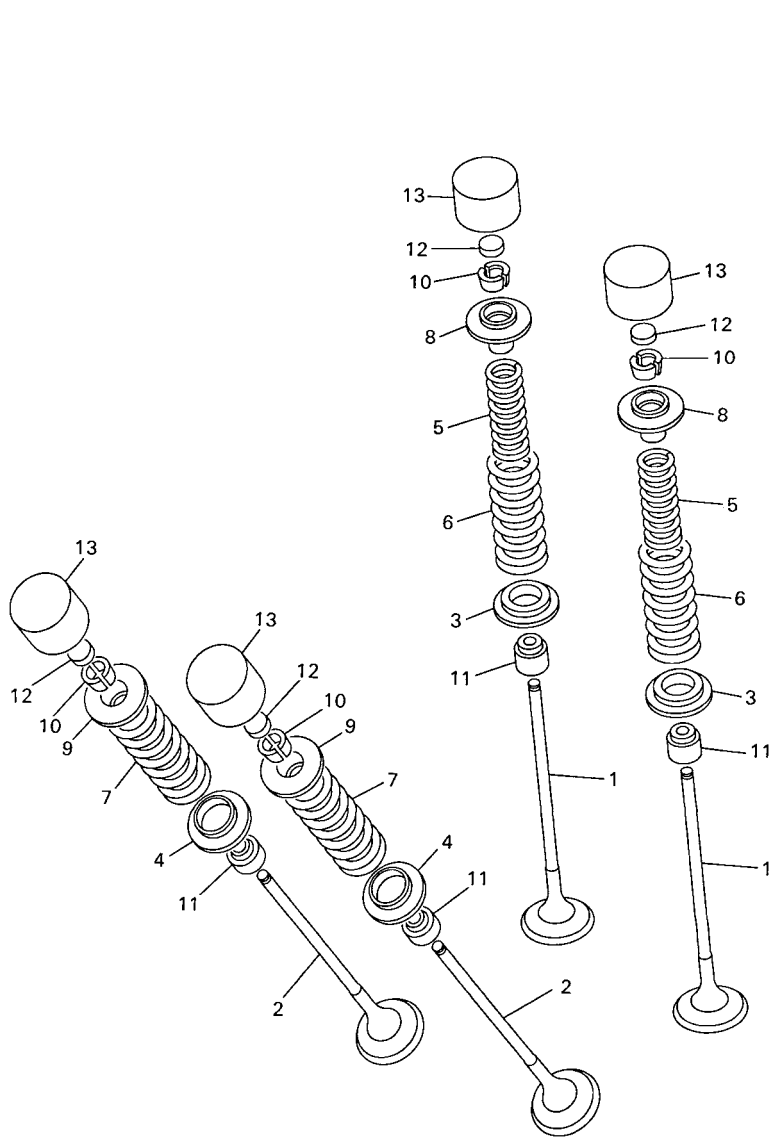


5EB3351-9030

FIG. 3 VALVE

REF. NO.	PART NO.	DESCRIPTION	4S88	4S89	4S8A	REMARKS
1	5SL-12111-10	VALVE, INTAKE	8	8	8	
2	5SL-12121-10	VALVE, EXHAUST	8	8	8	
3	5SL-12116-00	SEAT, VALVE SPRING	8	8	8	
4	5EB-12126-00	SEAT, VALVE SPRING 2	8	8	8	
5	5EB-12113-00	SPRING, VALVE INNER	8	8	8	
6	5EB-12114-00	SPRING, VALVE OUTER	8	8	8	
7	5EB-12124-01	SPRING, VALVE OUTER	8	8	8	
8	5EB-12117-00	RETAINER, VALVE SPRING	8	8	8	
9	5EB-12127-00	RETAINER, VALVE SPRING	8	8	8	
10	1HX-12118-00	COTTER, VALVE	32	32	32	
11	4TV-12119-00	SEAL, VALVE STEM	16	16	16	
12	1HX-12168-00	PAD, ADJUSTING 2 (1.20)	16	16	16	UR
	1HX-12168-20	PAD, ADJUSTING 2 (1.25)	16	16	16	UR
	1HX-12168-40	PAD, ADJUSTING 2 (1.30)	16	16	16	UR
	1HX-12168-60	PAD, ADJUSTING 2 (1.35)	16	16	16	UR
	1HX-12168-80	PAD, ADJUSTING 2 (1.40)	16	16	16	UR
	1HX-12168-A0	PAD, ADJUSTING 2 (1.45)	16	16	16	UR
	1HX-12168-F0	PAD, ADJUSTING 2 (1.50)	16	16	16	UR
	1HX-12168-H1	PAD, ADJUSTING 2 (1.55)	16	16	16	UR
	1HX-12168-K1	PAD, ADJUSTING 2 (1.60)	16	16	16	UR
	1HX-12168-M1	PAD, ADJUSTING 2 (1.65)	16	16	16	UR
	1HX-12168-R1	PAD, ADJUSTING 2 (1.70)	16	16	16	UR
	1HX-12168-U1	PAD, ADJUSTING 2 (1.75)	16	16	16	UR
	1HX-12168-W1	PAD, ADJUSTING 2 (1.80)	16	16	16	UR
	1HX-12168-Y1	PAD, ADJUSTING 2 (1.85)	16	16	16	UR
	1HX-12169-11	PAD, ADJUSTING 2 (1.90)	16	16	16	UR
	1HX-12169-31	PAD, ADJUSTING 2 (1.95)	16	16	16	UR

B4



5EB3351-9030

FIG. 3 VALVE

REF. NO.	PART NO.	DESCRIPTION	4S88	4S89	4S8A	REMARKS
12	1HX-12169-50	PAD, ADJUSTING 2 (2.00)	16	16	16	UR
	1HX-12169-70	PAD, ADJUSTING 2 (2.05)	16	16	16	UR
	1HX-12169-90	PAD, ADJUSTING 2 (2.10)	16	16	16	UR
	1HX-12169-E0	PAD, ADJUSTING 2 (2.15)	16	16	16	UR
	1HX-12169-G0	PAD, ADJUSTING 2 (2.20)	16	16	16	UR
	1HX-12169-J0	PAD, ADJUSTING 2 (2.25)	16	16	16	UR
	1HX-12169-L0	PAD, ADJUSTING 2 (2.30)	16	16	16	UR
	1HX-12169-N0	PAD, ADJUSTING 2 (2.35)	16	16	16	UR
	1HX-12169-T0	PAD, ADJUSTING 2 (2.40)	16	16	16	UR
13	5EB-12153-20	LIFTER, VALVE	16	16	16	UR BLUE
	5EB-12153-30	LIFTER, VALVE	16	16	16	UR RED
	5EB-12153-09	LIFTER, VALVE (O/S)	16	16	16	AP GREEN

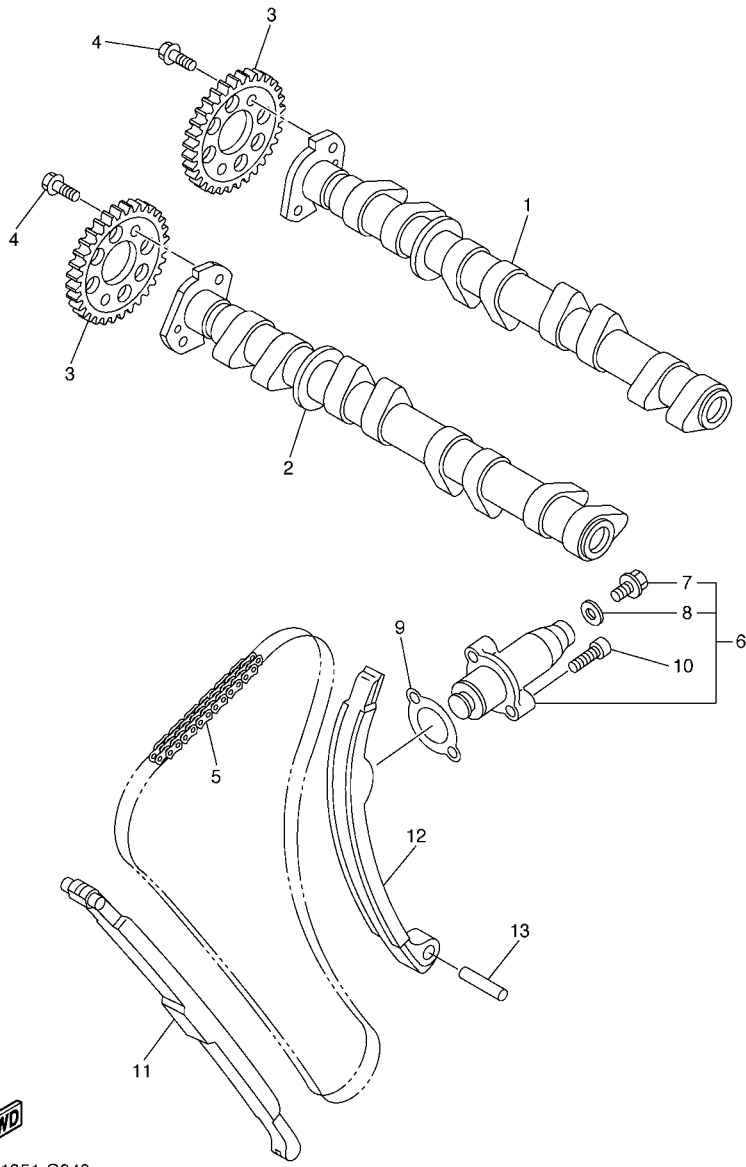


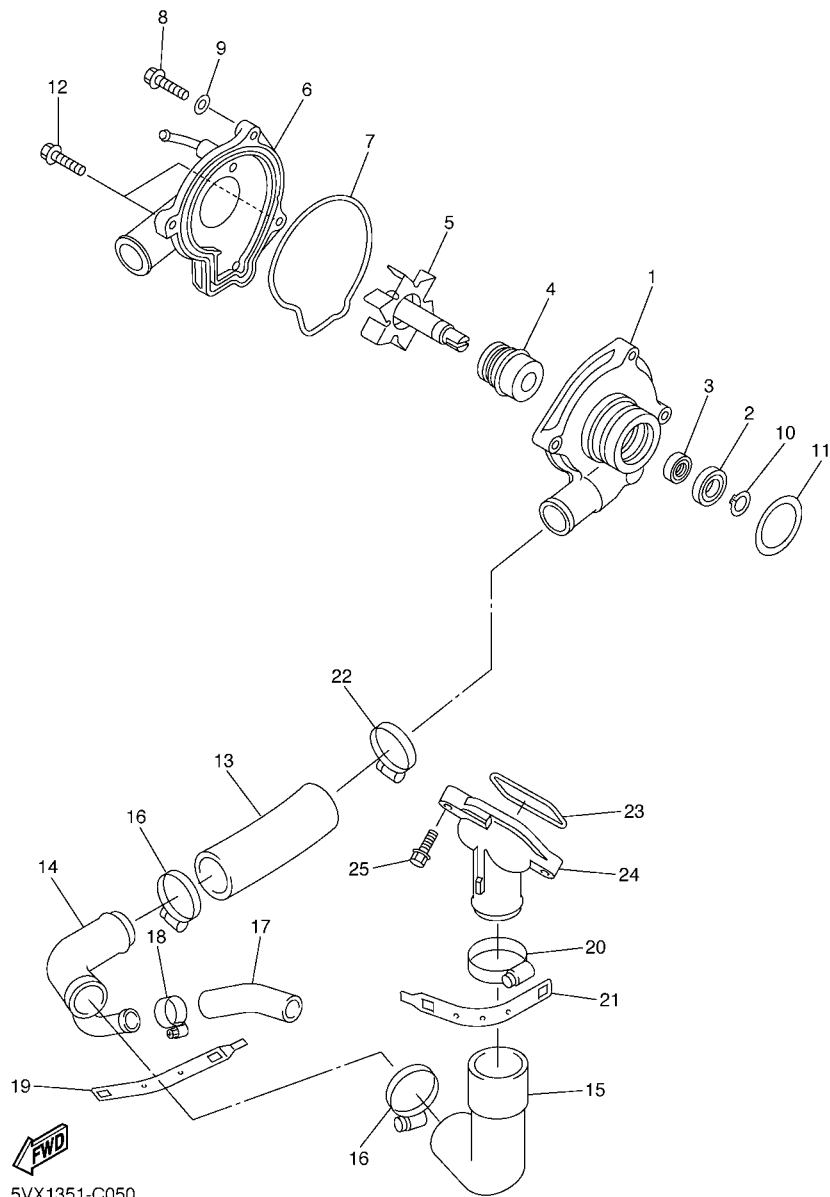
FIG. 4 CAMSHAFT & CHAIN

REF. NO.	PART NO.	DESCRIPTION	4S88	4S89	4S8A	REMARKS
1	5VX-12170-00	CAMSHAFT ASSY 1	1	1	1	
2	5VX-12180-00	CAMSHAFT ASSY 2	1	1	1	
3	5VX-12176-00	SPROCKET, CAM CHAIN	2	2	2	
4	90105-07004	BOLT, FLANGE	4	4	4	
5	94591-49120	CHAIN	1	1	1	
6	5SL-12210-10	TENSIONER ASSY, CAM CHAIN	1	1	1	
7	5EL-12228-00	.BOLT	1	1	1	
8	5SL-12214-00	.GASKET	1	1	1	
9	4FM-12213-00	GASKET, TENSIONER CASE	1	1	1	
10	91314-06025	BOLT	2	2	2	
11	5EB-12251-00	DAMPER, CHAIN 1	1	1	1	
12	5EB-12252-10	DAMPER, CHAIN 2	1	1	1	
13	93607-44002	PIN, DOWEL	1	1	1	



5VX1351-C040

FIG. 5 WATER PUMP



5VX1351-C050

REF. NO.	PART NO.	DESCRIPTION	4S88	4S89	4S8A	REMARKS
1	5EB-12421-00	HOUSING, WATER PUMP	1	1	1	
2	93306-00106	BEARING	1	1	1	
3	93101-12173	OIL SEAL	1	1	1	
4	11H-12438-10	SEAL, MECHANICAL	1	1	1	
5	5EB-12450-00	IMPELLER SHAFT ASSY	1	1	1	
6	5SL-12422-00	COVER, HOUSING	1	1	1	
7	5EB-12439-00	O-RING	1	1	1	
8	95024-06020	BOLT, FLANGE	2	2	2	
9	90430-06014	GASKET	1	1	1	
10	99009-12400	CIRCLIP	1	1	1	
11	93210-33133	O-RING	1	1	1	
12	90110-06086	BOLT, HEXAGON SOCKET HEAD	2	2	2	
13	4NK-12579-00	HOSE 4	1	1	1	
14	5VX-12581-00	JOINT, HOSE 1	1	1	1	
15	5EB-12577-01	HOSE 2	1	1	1	
16	90450-35001	HOSE CLAMP ASSY	2	2	2	
17	5SL-12588-01	HOSE 5	1	1	1	
18	90450-22017	HOSE CLAMP ASSY	1	1	1	
19	5GV-1246E-00	COVER 2	1	1	1	
20	90450-38040	HOSE CLAMP ASSY	1	1	1	
21	5GV-1246A-00	COVER 1	1	1	1	
22	90450-32001	HOSE CLAMP ASSY	1	1	1	
23	93210-46001	O-RING	1	1	1	
24	5EB-12469-00	JOINT 1	1	1	1	
25	90105-06053	BOLT, FLANGE	2	2	2	

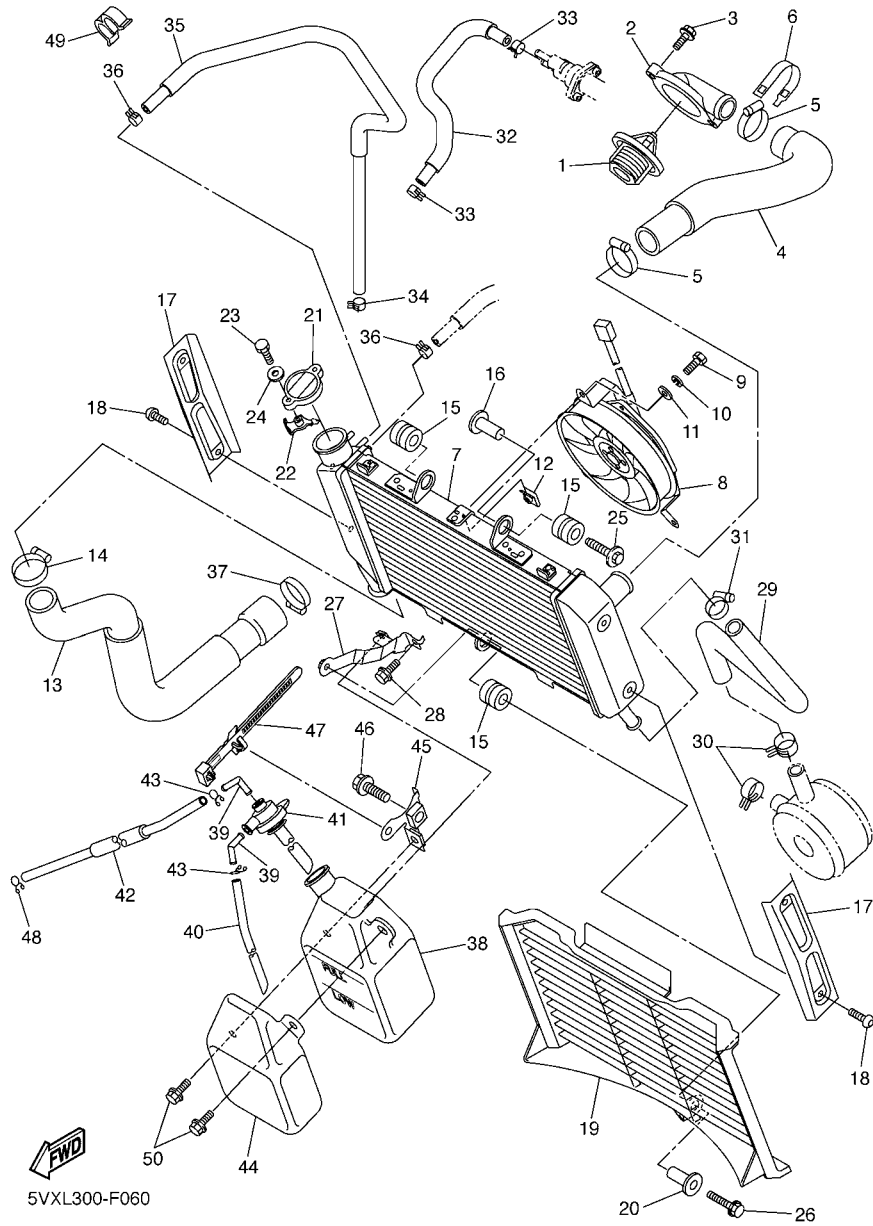


FIG. 6 RADIATOR & HOSE

REF. NO.	PART NO.	DESCRIPTION	4S88	4S89	4S8A	REMARKS
1	5SL-12410-00	THERMOSTAT ASSY	1	1	1	
2	5VX-12413-00	COVER, THERMOSTAT	1	1	1	
3	90105-06557	BOLT, FLANGE	2	2	2	
4	4S8-12578-00	HOSE 3	1	1	1	
5	90450-35001	HOSE CLAMP ASSY	2	2	2	
6	5GV-1246E-00	COVER 2	1	1	1	
7	4S8-12461-00	RADIATOR ASSY	1	1	1	
8	4S8-12405-00	BLOWER ASSY	1	1	1	
9	97307-06012	BOLT	3	3	3	
10	92907-06100	WASHER, SPRING	3	3	3	
11	92907-06600	WASHER, PLATE	3	3	3	
12	1AA-12535-00	PLATE	3	3	3	
13	4S8-12579-00	HOSE 4	1	1	1	
14	90450-32003	HOSE CLAMP ASSY	1	1	1	
15	90480-15363	GROMMET	3	3	3	
16	90387-0614M	COLLAR	1	1	1	
17	5VX-1240J-00	RADIATOR COVER ASSY1	2	2	2	
18	90111-06031	BOLT, HEX. SOCKET BUTTON	4	4	4	
19	4S8-12467-00	COVER, RADIATOR	1	1	1	
20	90387-066H4	COLLAR	1	1	1	
21	1B3-12462-00	CAP, RADIATOR	1	1	1	
22	5FC-12437-00	STOPPER	1	1	1	
23	97004-05012	BOLT	1	1	1	
24	92904-05600	WASHER	1	1	1	
25	90119-06038	BOLT, WITH WASHER	1	1	1	
26	95824-06030	BOLT, FLANGE	1	1	1	
27	4S8-1244E-00	BRACKET 1	1	1	1	

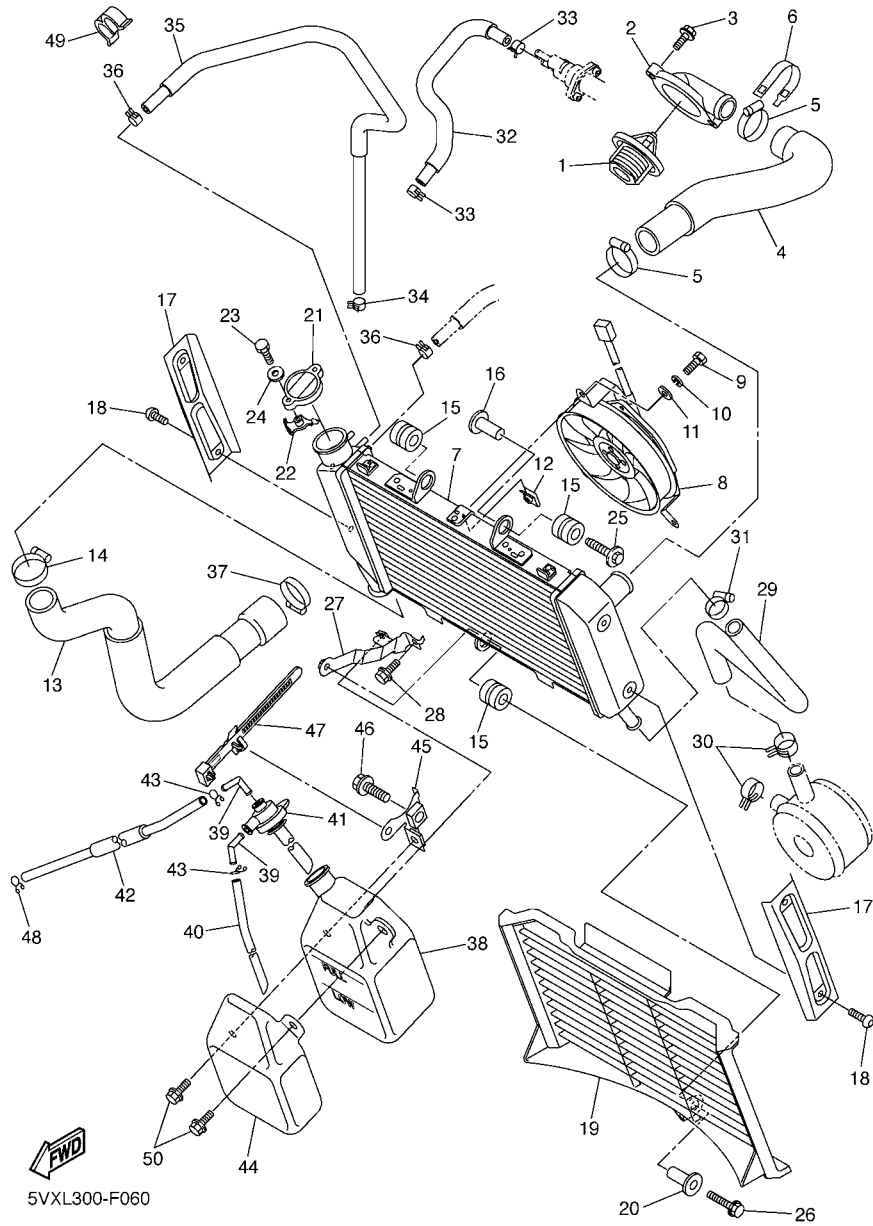
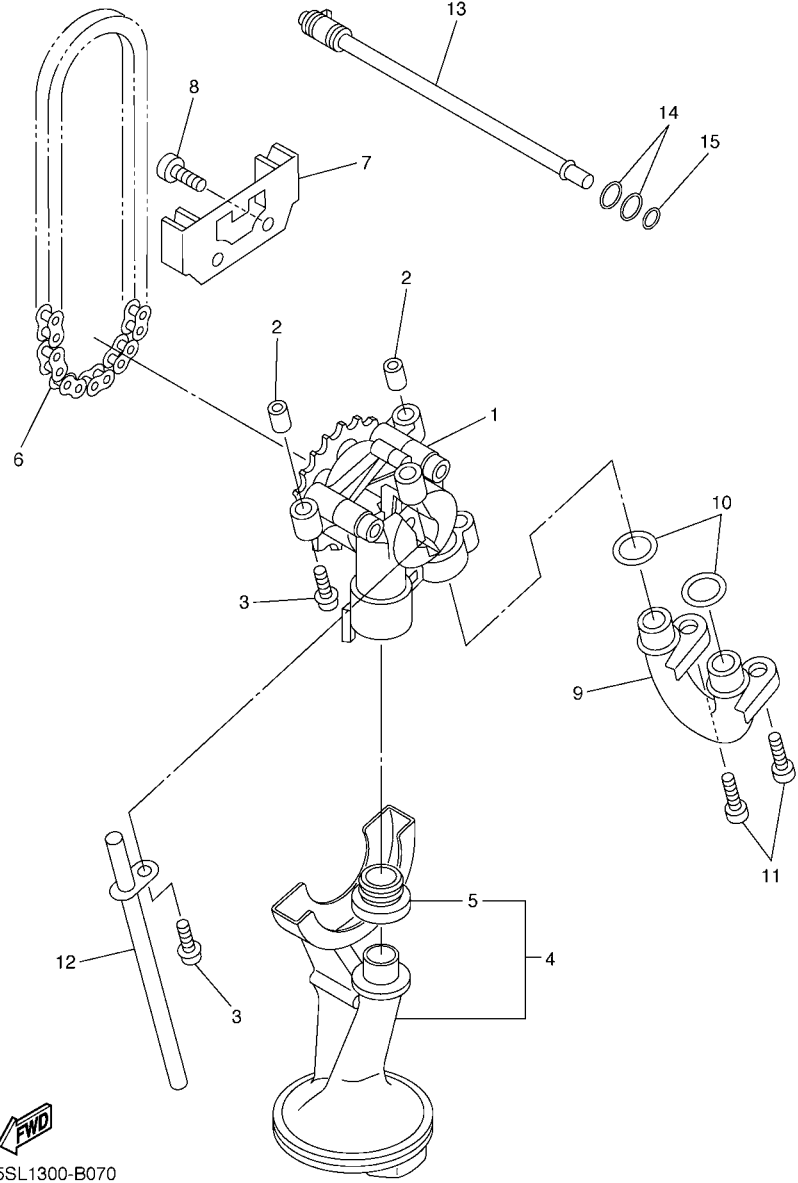


FIG. 6 RADIATOR & HOSE

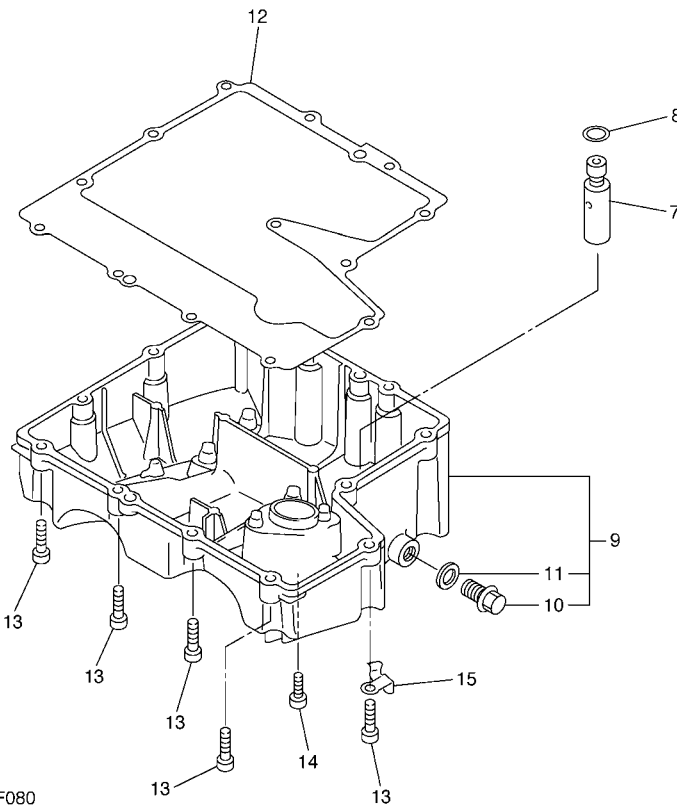
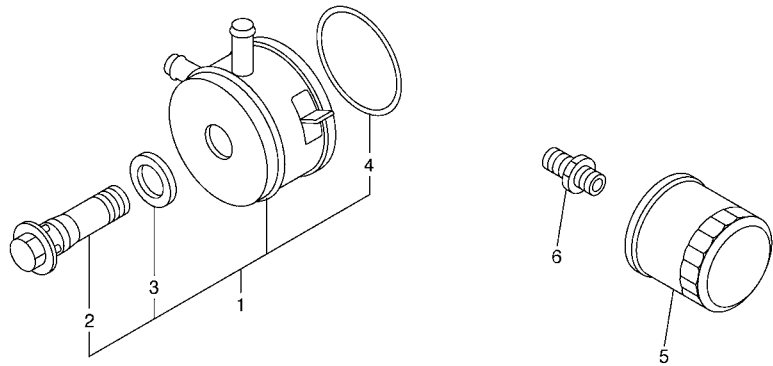
REF. NO.	PART NO.	DESCRIPTION	4S88	4S89	4S8A	REMARKS
28	95824-06012	BOLT, FLANGE	1	1	1	
29	4S8-12589-00	HOSE 6	1	1	1	
30	90467-200A0	CLIP	2	2	2	
31	90450-22017	HOSE CLAMP ASSY	1	1	1	
32	5VX-1243A-00	HOSE 1	1	1	1	
33	90467-11090	CLIP	2	2	2	
34	90467-11090	CLIP	1	1	1	
35	5VX-1244G-00	HOSE, 4	1	1	1	
36	90467-11090	CLIP	2	2	2	
37	90450-32001	HOSE CLAMP ASSY	1	1	1	
38	4P5-21871-00	TANK, RECOVERY	1	1	1	
39	26H-21828-00	ELBOW	2	2	2	
40	90445-081F2	HOSE (L200)	1	1	1	
41	3P6-21875-00	CAP	1	1	1	
42	90445-08025	HOSE	1	1	1	
43	90467-08075	CLIP	2	2	2	
44	4P5-2172W-00	COVER	1	1	1	
45	4P5-21873-00	BRACKET, RECOVERY TANK	1	1	1	
46	95024-10020	BOLT, FLANGE	1	1	1	
47	90464-07012	CLAMP	1	1	1	
48	90467-08075	CLIP	1	1	1	
49	90464-12238	CLAMP	1	1	1	
50	90105-060A6	BOLT, FLANGE	2	2	2	



FWD
5SL1300-B070

FIG. 7 OIL PUMP

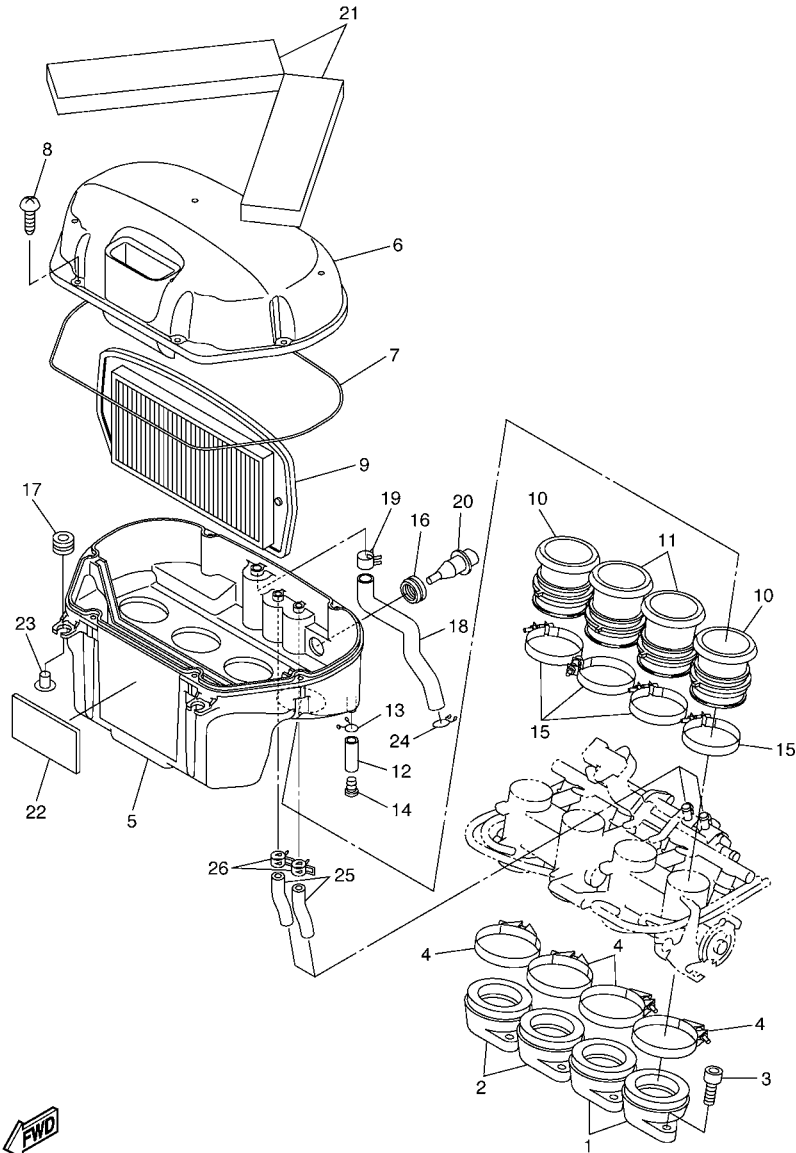
REF. NO.	PART NO.	DESCRIPTION	4S88	4S89	4S8A	REMARKS
1	5MT-13300-00	OIL PUMP ASSY	1	1	1	
2	91808-17032	PIN, DOWEL	2	2	2	
3	90109-06031	BOLT	3	3	3	
4	5SL-13410-00	STRAINER HOUSING ASSY	1	1	1	
5	5EB-13415-00	.SEAL, OIL STRAINER	1	1	1	
6	94580-25080	CHAIN	1	1	1	
7	5EB-13898-00	HOLDER	1	1	1	
8	90110-06161	BOLT, HEXAGON SOCKET HEAD	2	2	2	
9	2C0-13416-00	PIPE, OIL 1	1	1	1	
10	93210-14003	O-RING	2	2	2	
11	90110-06161	BOLT, HEXAGON SOCKET HEAD	2	2	2	
12	5EB-13161-00	PIPE, DELIVERY 1	1	1	1	
13	5EB-1316E-00	PIPE, DELIVERY 5	1	1	1	
14	93210-09165	O-RING	2	2	2	
15	93210-06667	O-RING	1	1	1	



FWD
5VXL300-F080

FIG. 8 OIL CLEANER

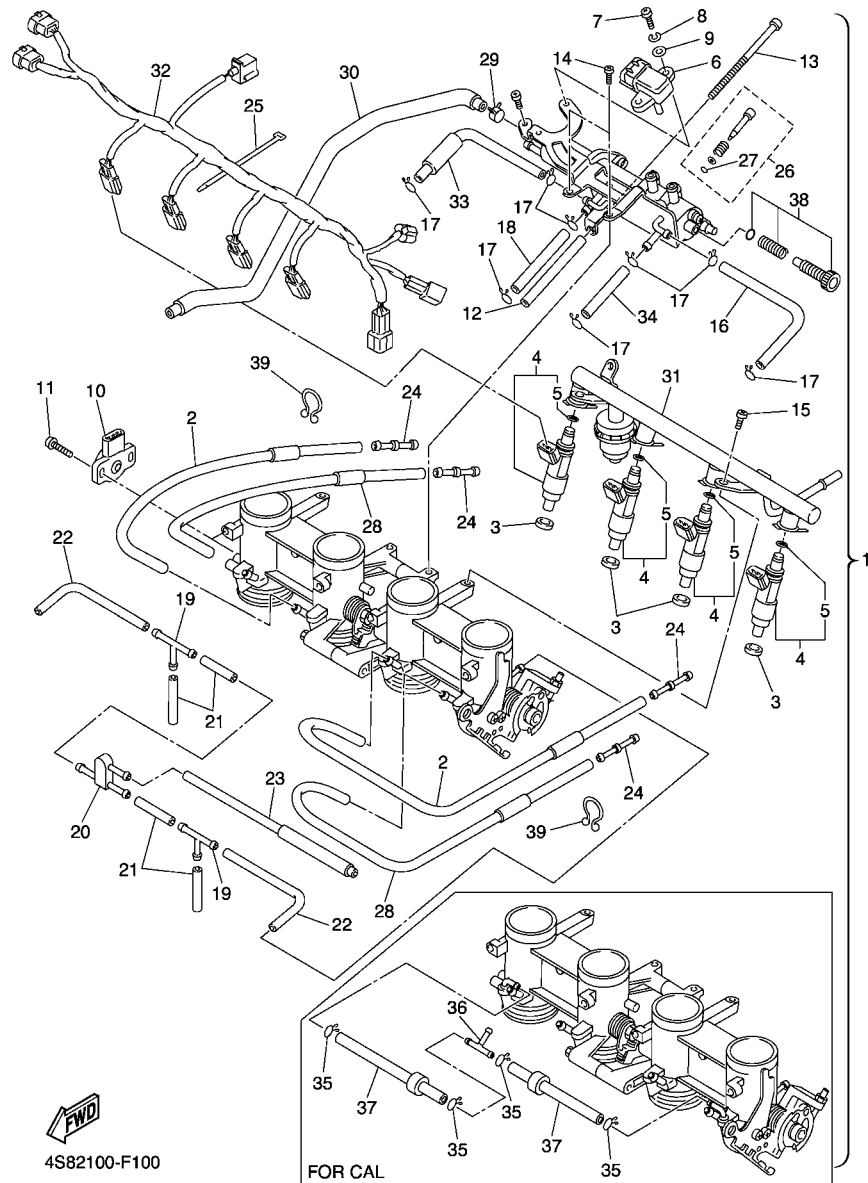
REF. NO.	PART NO.	DESCRIPTION	4S88	4S89	4S8A	REMARKS
1	5EB-13470-00	OIL COOLER ASSY	1	1	1	
2	5EB-12822-00	.BOLT, UNION	1	1	1	
3	5EB-13475-00	.GASKET	1	1	1	
4	5JW-13473-00	.O-RING	1	1	1	
5	5GH-13440-20	ELEMENT ASSY, OIL CLEANER	1	1	1	
6	90401-20145	BOLT, UNION	1	1	1	
7	3KS-13490-00	RELIEF VALVE ASSY	1	1	1	
8	93210-15566	O-RING	1	1	1	
9	4S8-13417-00	COVER, STRAINER	1	1	1	
10	90340-14132	.PLUG, STRAIGHT SCREW	1	1	1	
11	214-11198-01	.GASKET	1	1	1	
12	5VX-13414-01	GASKET, STRAINER COVER	1	1	1	
13	91312-06025	BOLT	12	12	12	
14	90110-06169	BOLT, HEXAGON SOCKET HEAD	1	1	1	
15	90465-10030	CLAMP	1	1	1	



5VX3100-C090

FIG. 9 INTAKE

REF. NO.	PART NO.	DESCRIPTION	4S88	4S89	4S8A	REMARKS
1	5SL-13586-01	JOINT, CARBURETOR 1	2	2	2	
2	5SL-13596-01	JOINT, CARBURETOR 2	2	2	2	
3	91317-06020	BOLT	8	8	8	
4	90450-63003	HOSE CLAMP ASSY	4	4	4	
5	5VX-14411-00	CASE, AIR CLEANER 1	1	1	1	
6	5VX-14421-00	CASE, AIR CLEANER 2	1	1	1	
7	5VX-14452-00	SEAL	1	1	1	
8	97707-50025	SCREW, TAPPING	6	6	6	
9	5VX-14451-00	ELEMENT, AIR CLEANER	1	1	1	
10	5VX-14453-00	JOINT, AIR CLEANER 1	2	2	2	
11	5VX-14463-00	JOINT, AIR CLEANER 2	2	2	2	
12	90445-11795	HOSE (L30)	1	1	1	
13	90467-10041	CLIP	1	1	1	
14	90338-08174	PLUG	1	1	1	
15	90450-53002	HOSE CLAMP ASSY	4	4	4	
16	5CA-14435-00	GROMMET	1	1	1	
17	90480-12314	GROMMET	2	2	2	
18	5VX-15373-00	PIPE, BREATHER	1	1	1	
19	90467-15054	CLIP	1	1	1	
20	5CA-85886-00	SENSOR, AIR TEMPRATURE	1	1	1	
21	5VX-14409-00	DAMPNER	2	2	2	
22	5EJ-2414H-00	DAMPER, PLATE 1	1	1	1	
23	90387-06073	COLLAR	2	2	2	
24	90467-14015	CLIP	1	1	1	
25	5VX-14148-01	PIPE	2	2	2	
26	90467-17089	CLIP	2	2	2	



FWD
4S82100-F100

FIG. 10 INTAKE 2

REF. NO.	PART NO.	DESCRIPTION	4S88	4S89	4S8A	REMARKS
1	5VX-13750-04	THROTTLE BODY ASSY	1		1	
	5VX-13750-14	THROTTLE BODY ASSY		1		
2	5VX-14348-00	.PIPE 1	2	2	2	
3	90430-09002	.GASKET	4	4	4	
4	5VX-13761-00	.INJECTOR	4	4	4	
5	5PS-14147-00	.O-RING	1	1	1	
6	5VX-82380-00	.SENSOR, PRESSURE	1	1	1	
7	98507-05016	.SCREW, PAN HEAD	2	2	2	
8	92907-05100	.WASHER, SPRING	2	2	2	
9	92907-05600	.WASHER, PLATE	2	2	2	
10	2D1-85885-00	.THROTTLE SENSOR ASSY	1	1	1	
11	8CC-14216-10	.SCREW	2	2	2	
12	5VX-14149-00	.PIPE	1	1	1	
13	5VX-14565-00	.SCREW	1	1	1	
14	98507-05010	.SCREW, PAN HEAD	2	2	2	
15	98507-06012	.SCREW, PAN HEAD	2	2	2	
16	5VX-14396-00	.PIPE	1	1	1	
17	3UH-14937-00	.CLIP	8	8	8	
18	5VX-14987-00	.HOSE	1	1	1	
19	68V-24376-00	.PIPE, JOINT 1	2	2	2	
20	3XV-14251-00	.NIPPLE	1	1	1	
21	5FL-14348-10	.PIPE 1	4	4	4	
22	68V-13533-00	.HOSE, VACUUM SENSING 4	2	2	2	
23	5VX-1410E-00	.HOSE	1	1	1	
24	5PW-14251-00	.NIPPLE	4	4	4	
25	4KM-14137-00	.CLIP	1	1	1	
26	5JW-14104-00	.AIR SCREW SET	4	4	4	

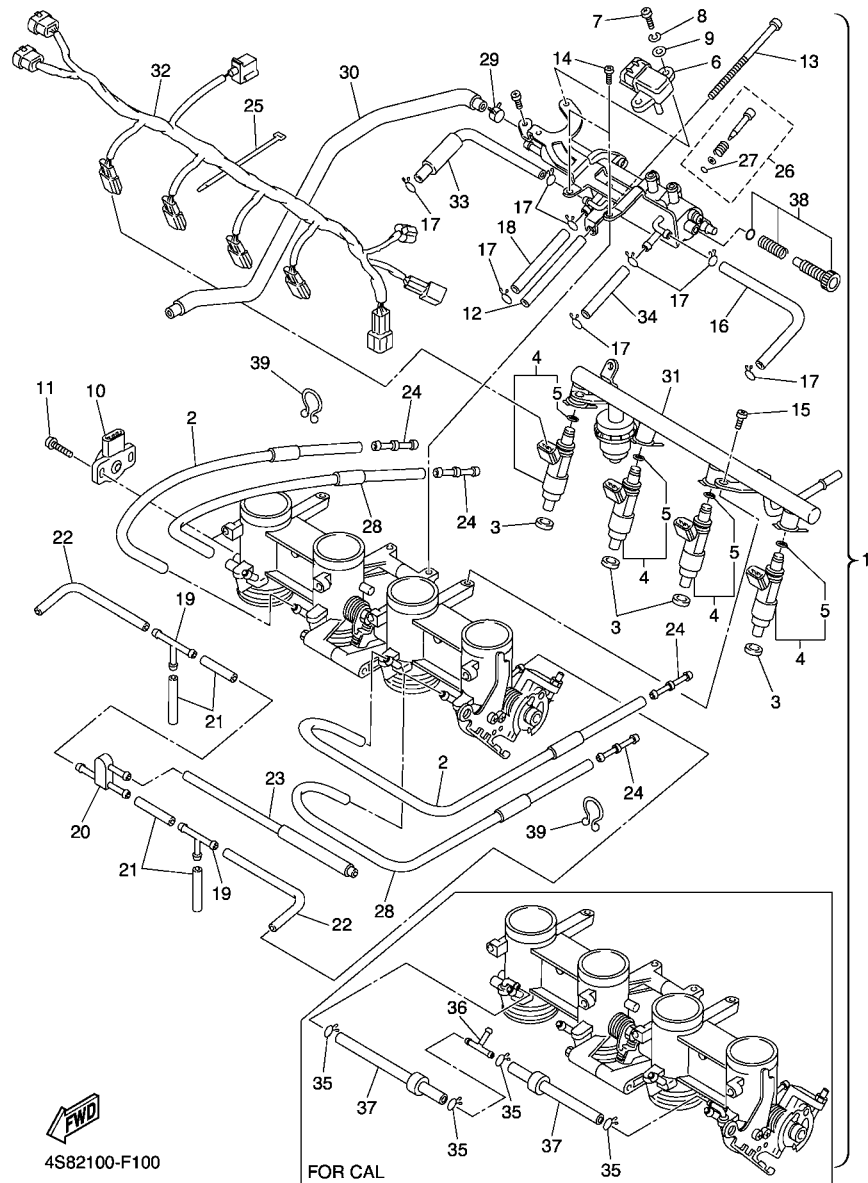
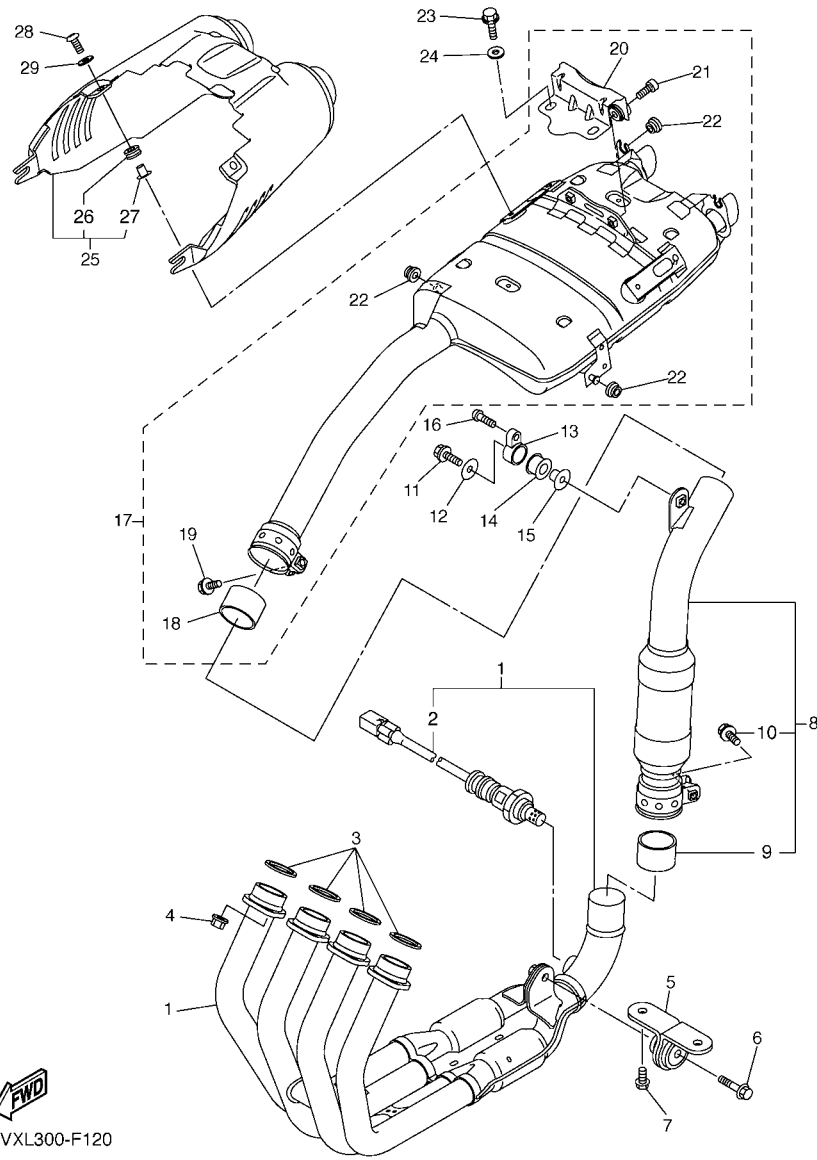


FIG. 10 INTAKE 2

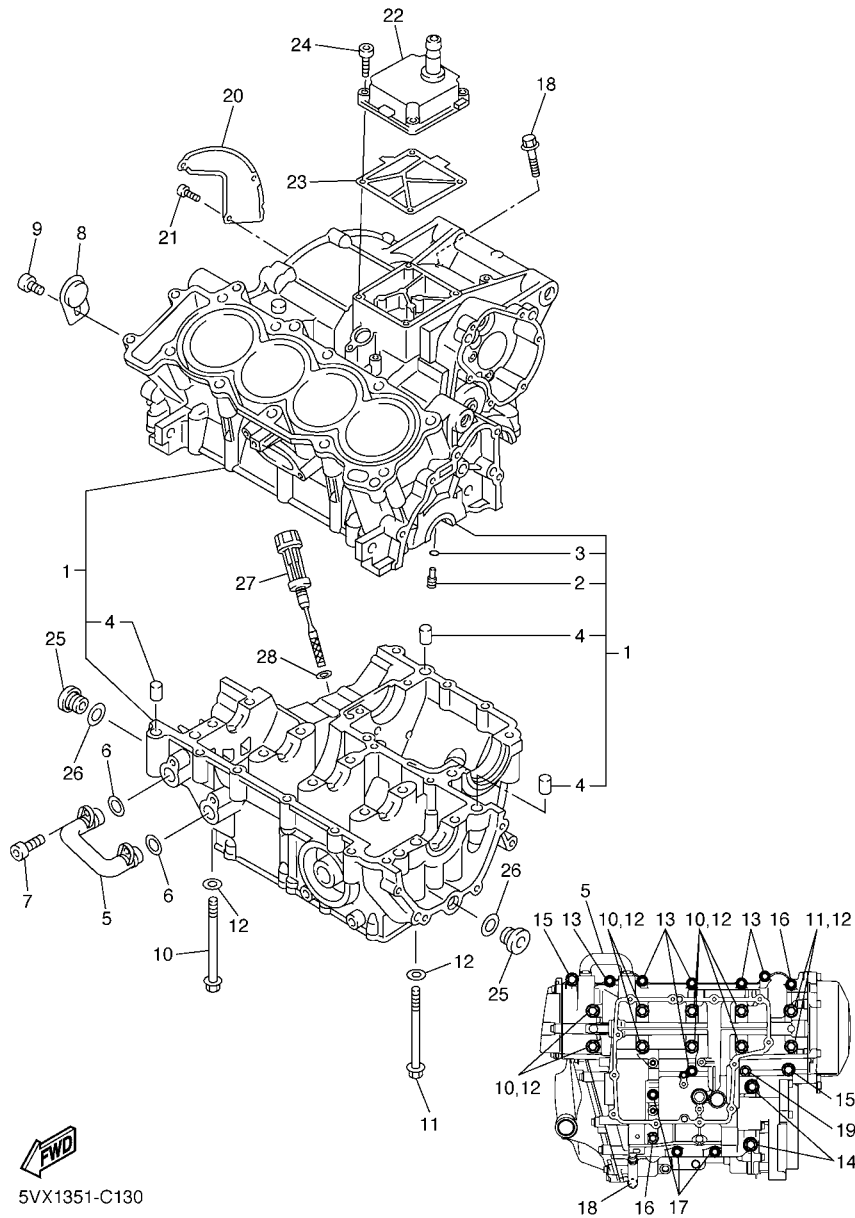
REF. NO.	PART NO.	DESCRIPTION	4S88	4S89	4S8A	REMARKS
27	3H1-14147-00	.O-RING	1	1	1	
28	5VX-14349-00	.PIPE	2	2	2	
29	90467-11090	.CLIP	1	1	1	
30	5VX-1243E-00	.HOSE 2	1	1	1	
31	5VX-13160-00	.DELIVERY PIPE ASSY 1	1	1	1	
32	5VX-82386-00	.EXTENSION, WIRE HARNESS	1	1	1	
33	5VX-13533-00	.HOSE, VACUUM SENSING 4	1	1	1	
34	5VX-14807-00	.HOSE	1	1	1	
35	90467-10008	.CLIP		4		
36	90413-08012	.WAY 3		1		
37	5VX-14465-01	.PIPE		2		
38	5VX-14503-00	.ADJUST SCREW SET	1	1	1	
39	90464-23041	.CLAMP	2	2	2	

FIG. 12 EXHAUST



5VXL300-F120

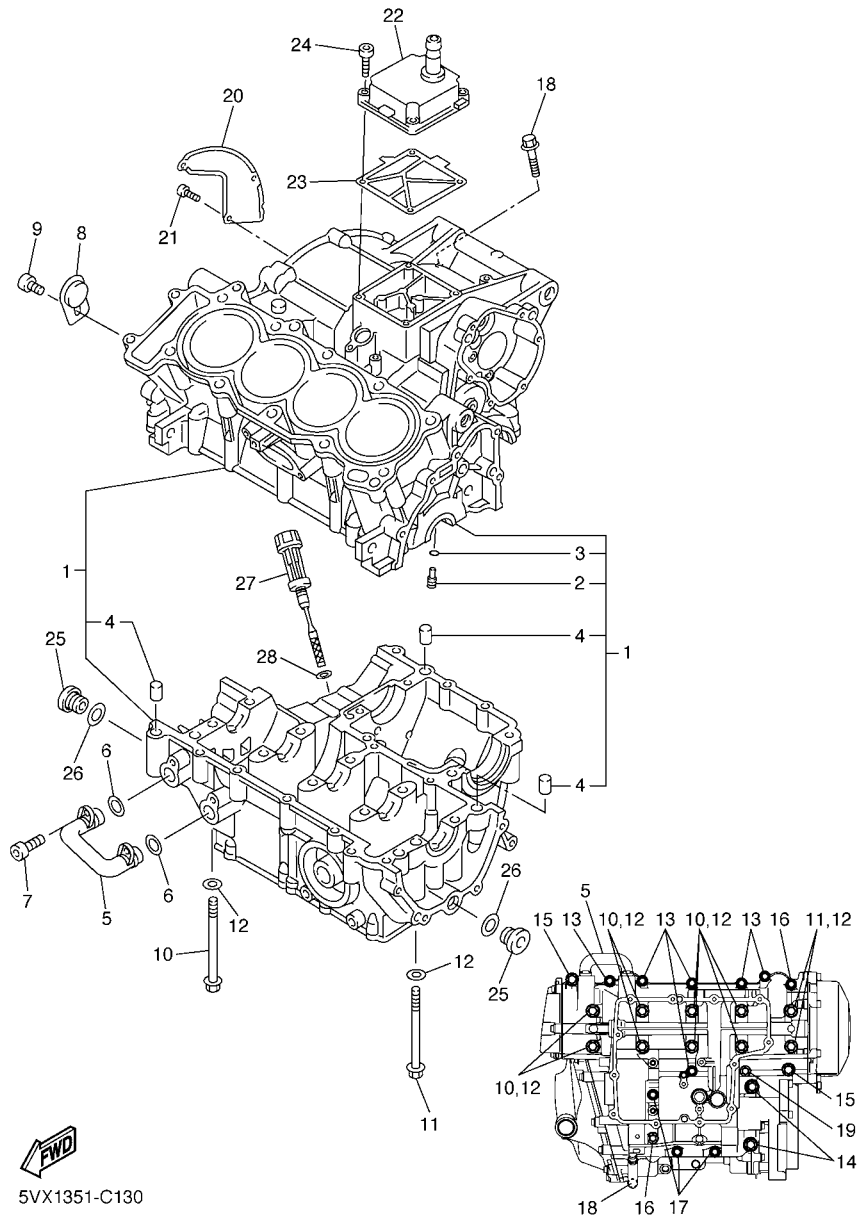
REF. NO.	PART NO.	DESCRIPTION	4S88	4S89	4S8A	REMARKS
1	4S8-14610-00	EXHAUST PIPE ASSY 1	1	1	1	
2	2D1-8592A-00	.SENSOR, OXYGEN	1	1	1	
3	3YF-14613-01	GASKET, EXHAUST PIPE	4	4	4	
4	90179-08410	NUT	8	8	8	
5	4S8-21445-00	STAY, MUFFLER 1	1	1	1	
6	90105-08063	BOLT, FLANGE	1	1	1	
7	90105-08021	BOLT, FLANGE	2	2	2	
8	4S8-14740-00	CATALYST ASSY.	1	1	1	
9	5VY-14714-00	.GASKET, MUFFLER	1	1	1	
10	95814-08045	.BOLT, FLANGE	1	1	1	
11	95812-08035	BOLT, FLANGE	1	1	1	
12	90201-08034	WASHER, PLATE	1	1	1	
13	5VX-21446-10	STAY, MUFFLER 2	1	1	1	
14	4XV-27424-00	DAMPER, MUFFLER	1	1	1	
15	90387-082W9	COLLAR	1	1	1	
16	92014-08045	BOLT, BUTTON HEAD	1	1	1	
17	5VX-14710-01	MUFFLER ASSY 1	1	1	1	
18	5EB-14714-01	.GASKET, MUFFLER	1	1	1	
19	95814-08045	.BOLT, FLANGE	1	1	1	
20	5VX-1467K-00	.BRACKET, SILENCER 3	1	1	1	
21	91317-08030	.BOLT	2	2	2	
22	90480-10332	.GROMMET	4	4	4	
23	95812-08014	BOLT, FLANGE	2	2	2	
24	90201-082U5	WASHER, PLATE	2	2	2	
25	5VX-14708-10	PROTECTOR ASSY	1	1	1	
26	90480-12006	.GROMMET	2	2	2	
27	90387-061N6	.COLLAR	2	2	2	



5VX1351-C130

FIG. 13 CRANKCASE

REF. NO.	PART NO.	DESCRIPTION	4S88	4S89	4S8A	REMARKS
1	1B3-15100-01	CRANKCASE ASSY	1	1	1	
2	5EB-15155-00	.NOZZLE 3	4	4	4	
3	93210-04092	.O-RING	4	4	4	
4	99530-10014	.PIN, DOWEL	3	3	3	
5	5VX-13418-00	PIPE, OIL 2	1	1	1	
6	93210-14579	O-RING	2	2	2	
7	90110-06161	BOLT, HEXAGON SOCKET HEAD	2	2	2	
8	5SL-15189-00	PLUG	1	1	1	
9	90149-06082	SCREW	1	1	1	
10	90105-087A0	BOLT, FLANGE	8	8	8	
11	90105-086A9	BOLT, FLANGE	2	2	2	
12	90201-087K3	WASHER, PLATE	10	10	10	
13	95812-06055	BOLT, FLANGE	6	6	6	
14	95812-08065	BOLT, FLANGE	2	2	2	
15	90109-06168	BOLT	2	2	2	
16	95812-06065	BOLT, FLANGE	2	2	2	
17	95812-06045	BOLT, FLANGE	3	3	3	
18	95812-06100	BOLT, FLANGE	1	1	1	
19	90105-06147	BOLT, FLANGE	1	1	1	
20	5SL-11165-00	PLATE, BREATHER	1	1	1	
21	90149-06082	SCREW	3	3	3	
22	5VX-15413-01	COVER	1	1	1	
23	5SL-15462-00	GASKET, CRANKCASE COVER 3	1	1	1	
24	91314-06025	BOLT	4	4	4	
25	36Y-15189-00	PLUG	2	2	2	
26	93210-16325	O-RING	2	2	2	
27	5EB-15362-00	PLUG, OIL LEVEL	1	1	1	

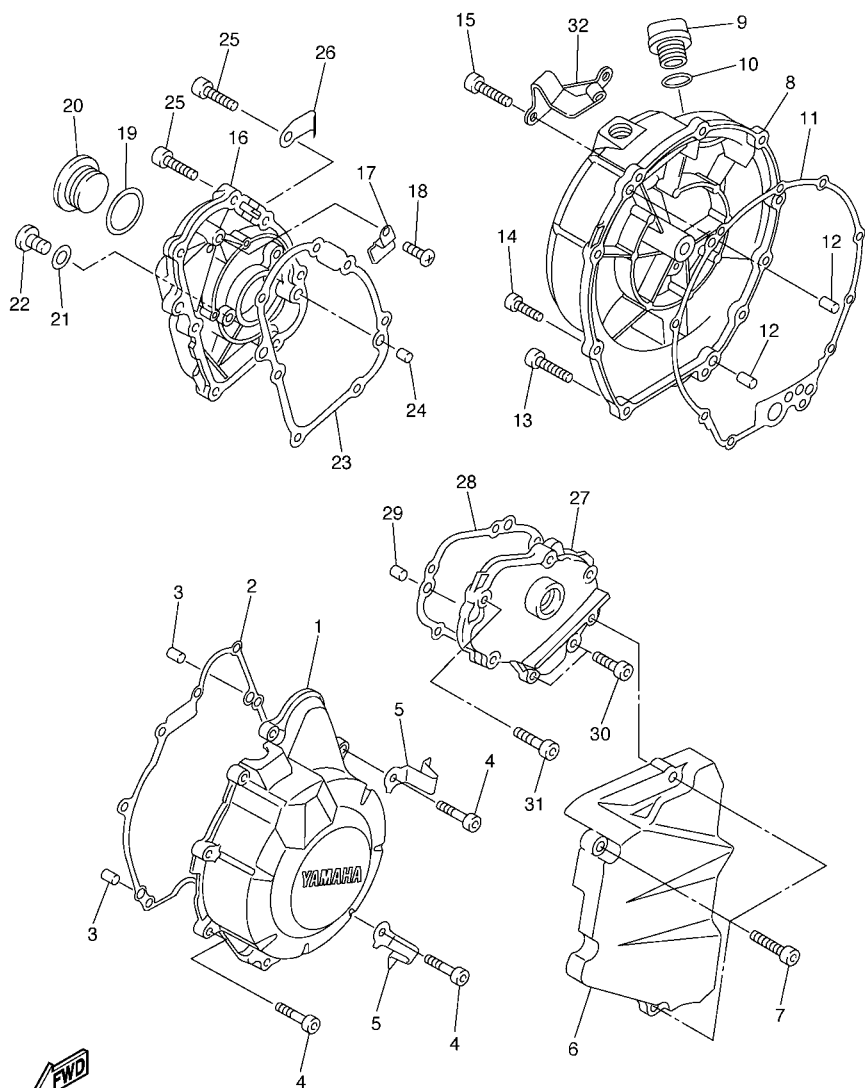


5VX1351-C130

FIG. 13 CRANKCASE

REF. NO.	PART NO.	DESCRIPTION	4S88	4S89	4S8A	REMARKS
28	93210-09165	O-RING	1	1	1	

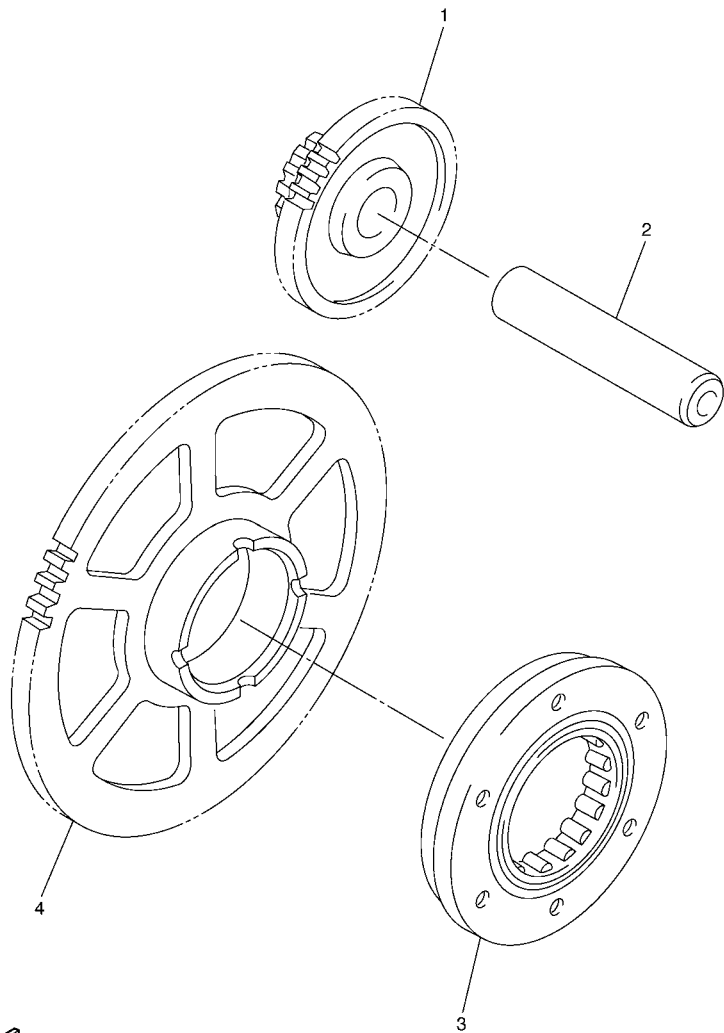
FIG. 14 CRANKCASE COVER 1



 5VXL300-F140

REF. NO.	PART NO.	DESCRIPTION	4S88	4S89	4S8A	REMARKS
1	1B3-15411-00	COVER, CRANKCASE 1	1	1	1	
2	5VX-15451-01	GASKET, CRANKCASE COVER 1	1	1	1	
3	99530-08012	PIN, DOWEL	2	2	2	
4	91314-06025	BOLT	9	9	9	
5	90465-08045	CLAMP	2	2	2	
6	1B3-15418-00	COVER, CHAIN CASE	1	1	1	
7	91314-06025	BOLT	3	3	3	
8	1B3-15421-00	COVER, CRANKCASE 2	1	1	1	
9	3F9-15362-00	PLUG, OIL LEVEL	1	1	1	
10	93210-27194	O-RING	1	1	1	
11	5SL-15461-01	GASKET, CRANKCASE COVER 2	1	1	1	
12	93608-17263	PIN, DOWEL	2	2	2	
13	91314-06025	BOLT	7	7	7	
14	90110-06022	BOLT, HEXAGON SOCKET HEAD	1	1	1	
15	91314-06030	BOLT	2	2	2	
16	1B3-15416-00	COVER, OIL PUMP	1	1	1	
17	90465-14011	CLAMP	1	1	1	
18	98507-06012	SCREW, PAN HEAD	1	1	1	
19	93210-32172	O-RING	1	1	1	
20	90340-32004	PLUG, STRAIGHT SCREW	1	1	1	
21	90430-08143	GASKET	1	1	1	
22	92014-08014	BOLT, BUTTON HEAD	1	1	1	
23	5SL-15456-01	GASKET, OIL PUMP COVER 1	1	1	1	
24	99530-08012	PIN, DOWEL	2	2	2	
25	91314-06020	BOLT	7	7	7	
26	90465-10042	CLAMP	1	1	1	
27	1B3-15425-00	COVER, GENERATOR 2	1	1	1	

FIG. 15 STARTER



5SL1300-B150

REF. NO.	PART NO.	DESCRIPTION	4S88	4S89	4S8A	REMARKS
1	5SL-15512-00	GEAR, IDLER 1	1	1	1	
2	5EB-15521-00	SHAFT 1	1	1	1	
3	5SL-15590-00	STARTER ONE-WAY ASSY	1	1	1	
4	5MT-15515-00	GEAR 3	1	1	1	

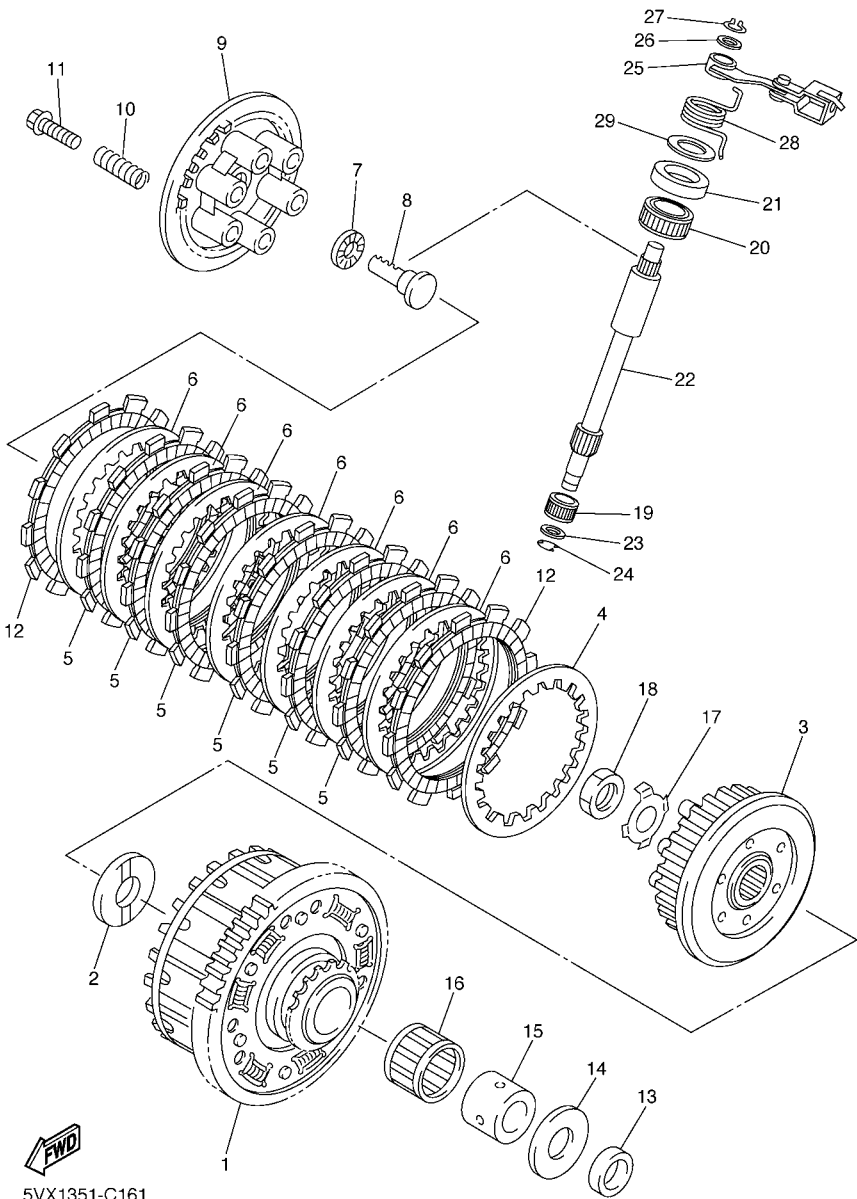


FIG. 16 CLUTCH

REF. NO.	PART NO.	DESCRIPTION	4S88	4S89	4S8A	REMARKS
1	5VX-16150-00	PRIMARY DRIVEN GEAR COMP.	1	1	1	
2	5EB-16154-00	PLATE, THRUST 1	1	1	1	
3	5VX-16371-00	BOSS, CLUTCH	1	1	1	
4	168-16324-00	PLATE, CLUTCH 1 (T=2.3)	1	1	1	
5	4FN-16321-00	PLATE, FRICTION	6	6	6	
6	3J2-16324-00	PLATE, CLUTCH 1 (T=2.0)	7	7	7	
7	93306-00304	BEARING	1	1	1	
8	5EB-16356-01	ROD, PUSH 1	1	1	1	
9	5EB-16351-01	PLATE, PRESSURE 1	1	1	1	
10	90501-225A9	SPRING, COMPRESSION	6	6	6	
11	90159-06002	SCREW, WITH WASHER	6	6	6	
12	4H7-16321-02	PLATE, FRICTION	2	2	2	
13	90201-255A6	WASHER, PLATE	1	1	1	
14	1AE-16164-00	PLATE, THRUST 2	1	1	1	
15	90387-25010	COLLAR	1	1	1	
16	93310-340N8	BEARING	1	1	1	
17	90215-20004	WASHER, LOCK	1	1	1	
18	90170-20008	NUT	1	1	1	
19	93317-11096	BEARING	1	1	1	
20	93315-31502	BEARING	1	1	1	
21	93102-15212	OIL SEAL	1	1	1	
22	5VX-16382-00	AXLE, PUSH LEVER	1	1	1	
23	92907-08600	WASHER, PLATE	1	1	1	
24	99001-07600	CIRCLIP	1	1	1	
25	5VX-16340-00	PUSH LEVER ASSY	1	1	1	
26	90201-10119	WASHER, PLATE	1	1	1	
27	99009-10400	CIRCLIP	1	1	1	



5VX1351-C161

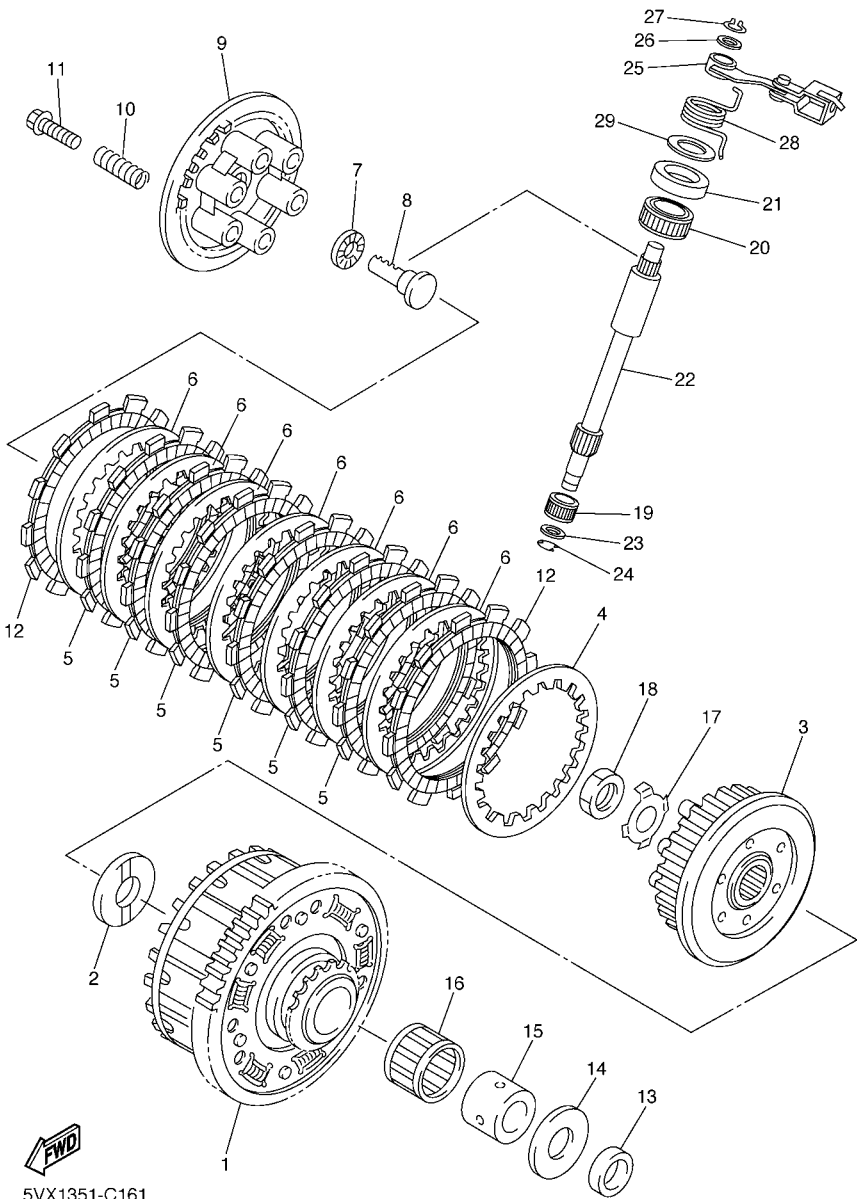
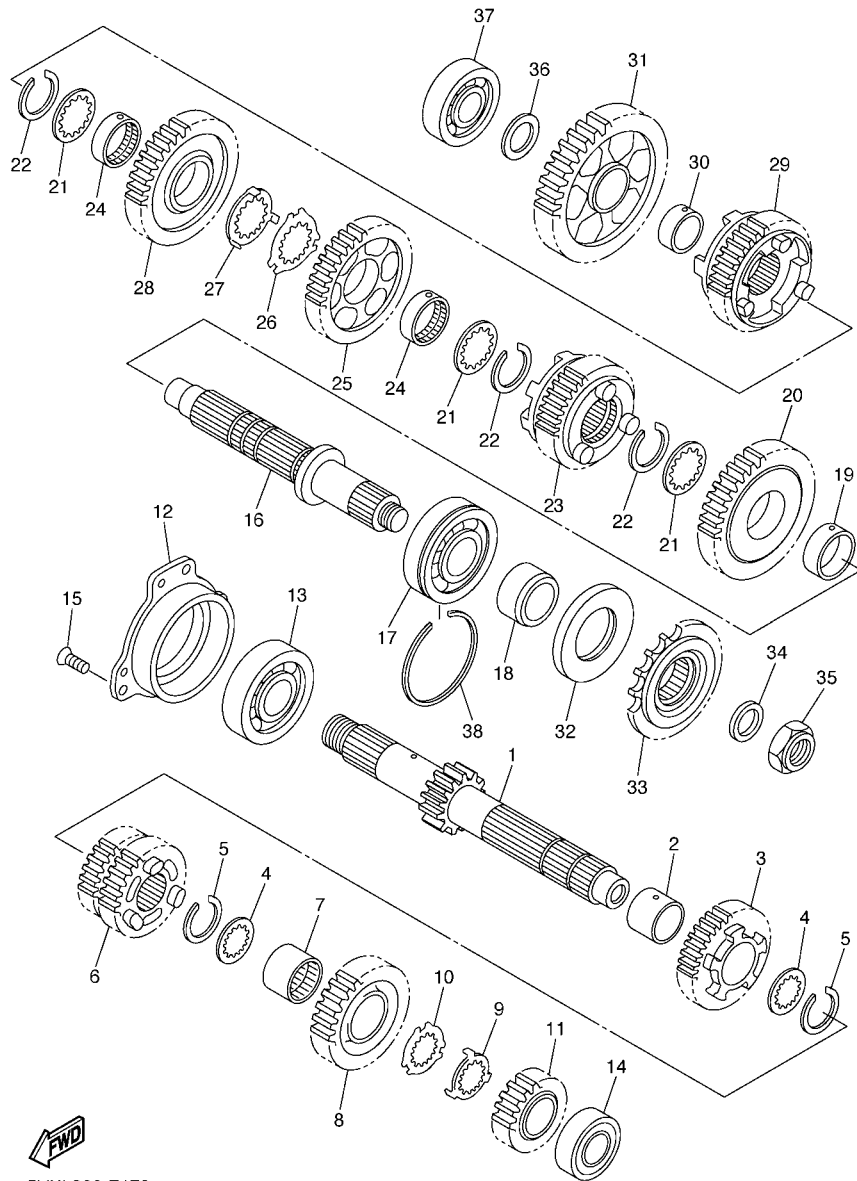


FIG. 16 CLUTCH

REF. NO.	PART NO.	DESCRIPTION	4S88	4S89	4S8A	REMARKS
28	90508-18016	SPRING, TORSION	1	1	1	
29	90201-15013	WASHER, PLATE	1	1	1	

5VX1351-C161

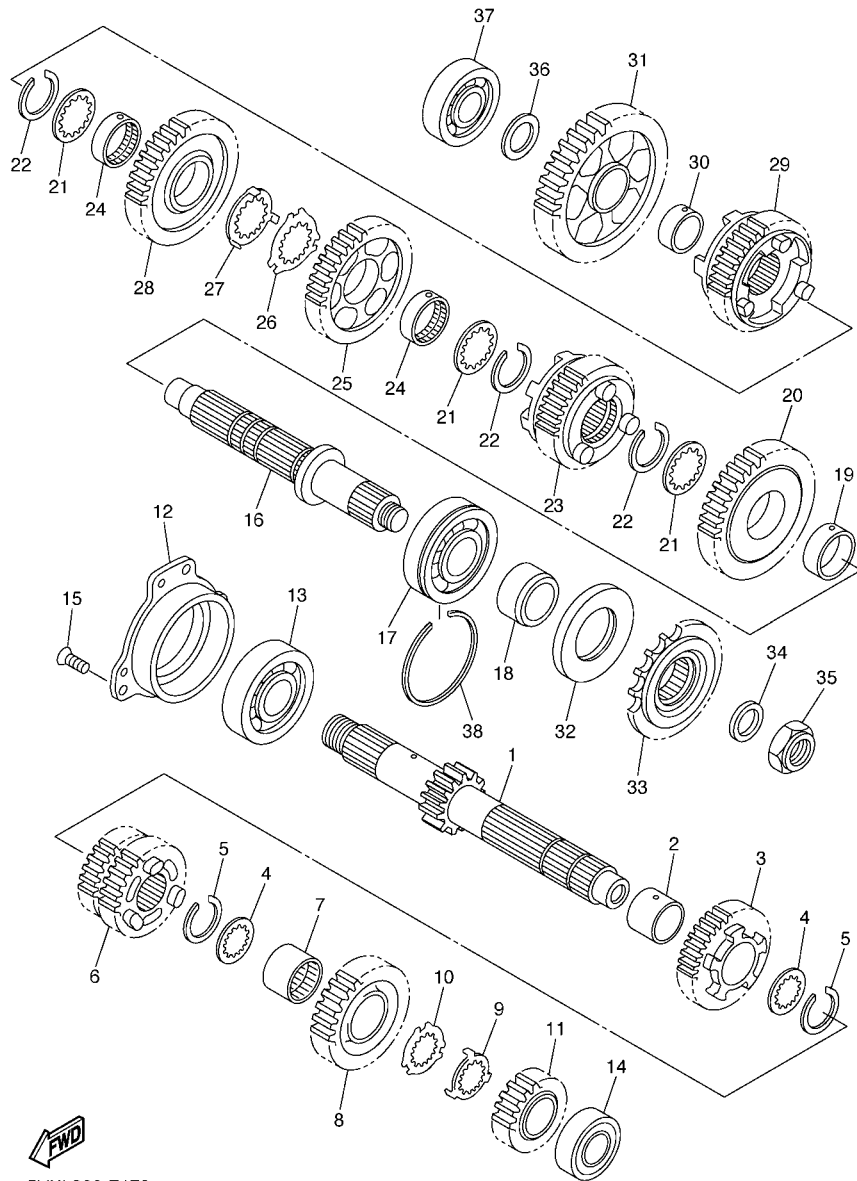
C10



5VXL300-F170

FIG. 17 TRANSMISSION

REF. NO.	PART NO.	DESCRIPTION	4S88	4S89	4S8A	REMARKS
1	5SL-17411-00	AXLE, MAIN (13T)	1	1	1	
2	90387-253M6	COLLAR	1	1	1	
3	5VX-17151-00	GEAR, 5TH PINION (21T)	1	1	1	
4	90209-21332	WASHER	2	2	2	
5	93440-25186	CIRCLIP	2	2	2	
6	5SL-17131-20	GEAR, 3RD PINION (18T/24T)	1	1	1	
7	90387-2513E	COLLAR	1	1	1	
8	5SL-17161-00	GEAR, 6TH PINION (24T)	1	1	1	
9	90209-22352	WASHER	1	1	1	
10	90209-21351	WASHER	1	1	1	
11	5SL-17121-00	GEAR, 2ND PINION (19T)	1	1	1	
12	5EB-15163-01	HOUSING, BEARING 1	1	1	1	
13	93306-30525	BEARING	1	1	1	
14	93306-20464	BEARING	1	1	1	
15	90151-06008	SCREW, COUNTERSUNK	3	3	3	
16	4S8-17421-00	AXLE, DRIVE	1	1	1	
17	93306-30546	BEARING	1	1	1	
18	90387-2504A	COLLAR	1	1	1	
19	90387-2813C	COLLAR	1	1	1	
20	5VX-17221-00	GEAR, 2ND WHEEL (37T)	1	1	1	
21	90209-25342	WASHER	3	3	3	
22	93440-28062	CIRCLIP	3	3	3	
23	5VX-17261-00	GEAR, 6TH WHEEL (26T)	1	1	1	
24	90387-2813D	COLLAR	2	2	2	
25	5SL-17241-00	GEAR, 4TH WHEEL (32T)	1	1	1	
26	90209-25349	WASHER	1	1	1	
27	90209-25350	WASHER	1	1	1	



5VXL300-F170

FIG. 17 TRANSMISSION

REF. NO.	PART NO.	DESCRIPTION	4S88	4S89	4S8A	REMARKS
28	5SL-17231-00	GEAR, 3RD WHEEL (28T)	1	1	1	
29	5VX-17251-00	GEAR, 5TH WHEEL (25T)	1	1	1	
30	90387-2202V	COLLAR	1	1	1	
31	5SL-17211-00	GEAR, 1ST WHEEL (37T)	1	1	1	
32	93102-35423	OIL SEAL	1	1	1	
33	5VX-17460-00	SPROCKET, DRIVE (16T)	1	1	1	
34	90201-20023	WASHER, PLATE	1	1	1	
35	90179-20011	NUT	1	1	1	
36	90201-20278	WASHER, PLATE	1	1	1	
37	93306-20464	BEARING	1	1	1	
38	278-17424-01	CIRCLIP 1	1	1	1	

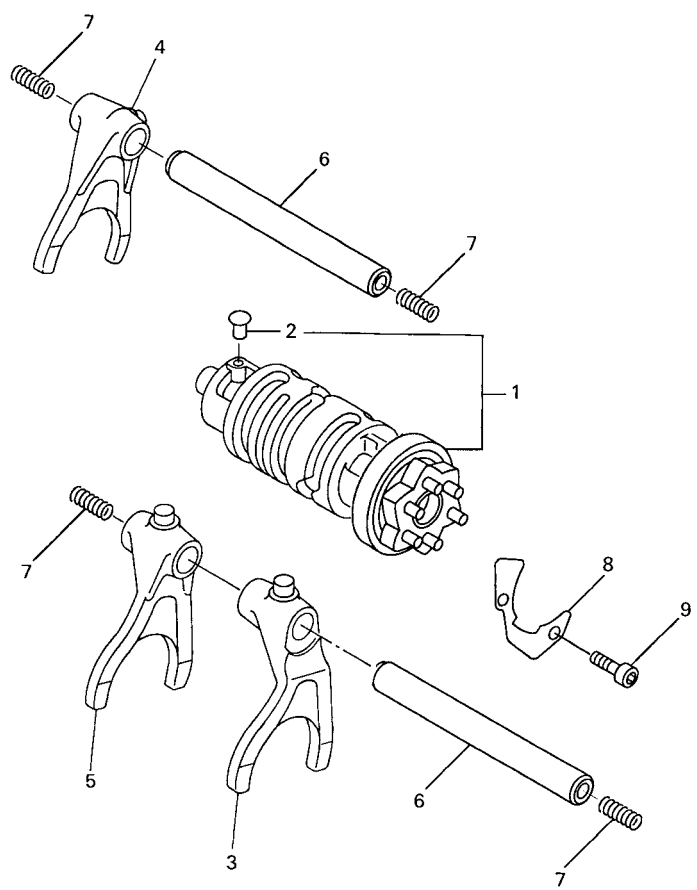


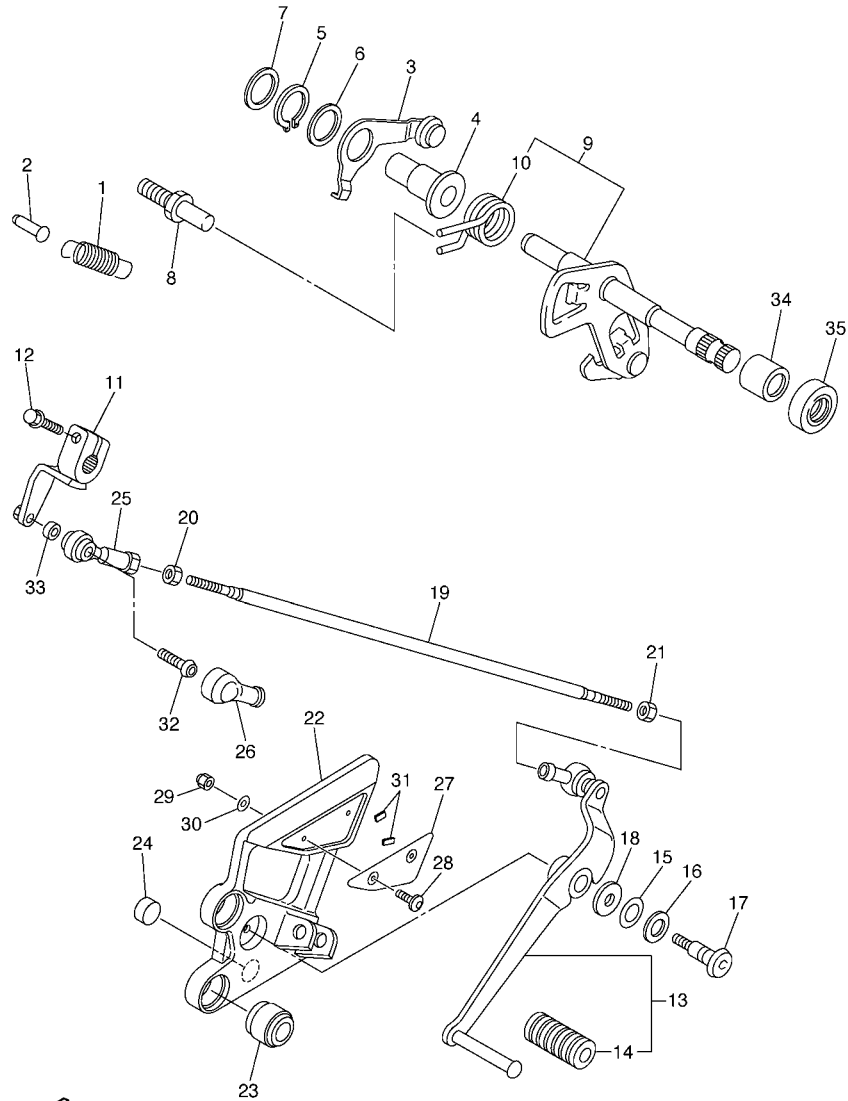
FIG. 18 SHIFT CAM & FORK

REF. NO.	PART NO.	DESCRIPTION	4S88	4S89	4S8A	REMARKS
1	5VX-18540-00	SHIFT CAM ASSY	1	1	1	
2	136-18542-00	.POINT, NEUTRAL	1	1	1	
3	5SL-18511-00	FORK, SHIFT 1	1	1	1	
4	5MT-18512-00	FORK, SHIFT 2	1	1	1	
5	5EB-18513-00	FORK, SHIFT 3	1	1	1	
6	4XV-18531-00	BAR, SHIFT FORK GUIDE 1	2	2	2	
7	90501-064L1	SPRING, COMPRESSION	4	4	4	
8	5EB-18536-00	STOPPER, SHIFT BAR	1	1	1	
9	90110-06018	BOLT, HEXAGON SOCKET HEAD	2	2	2	



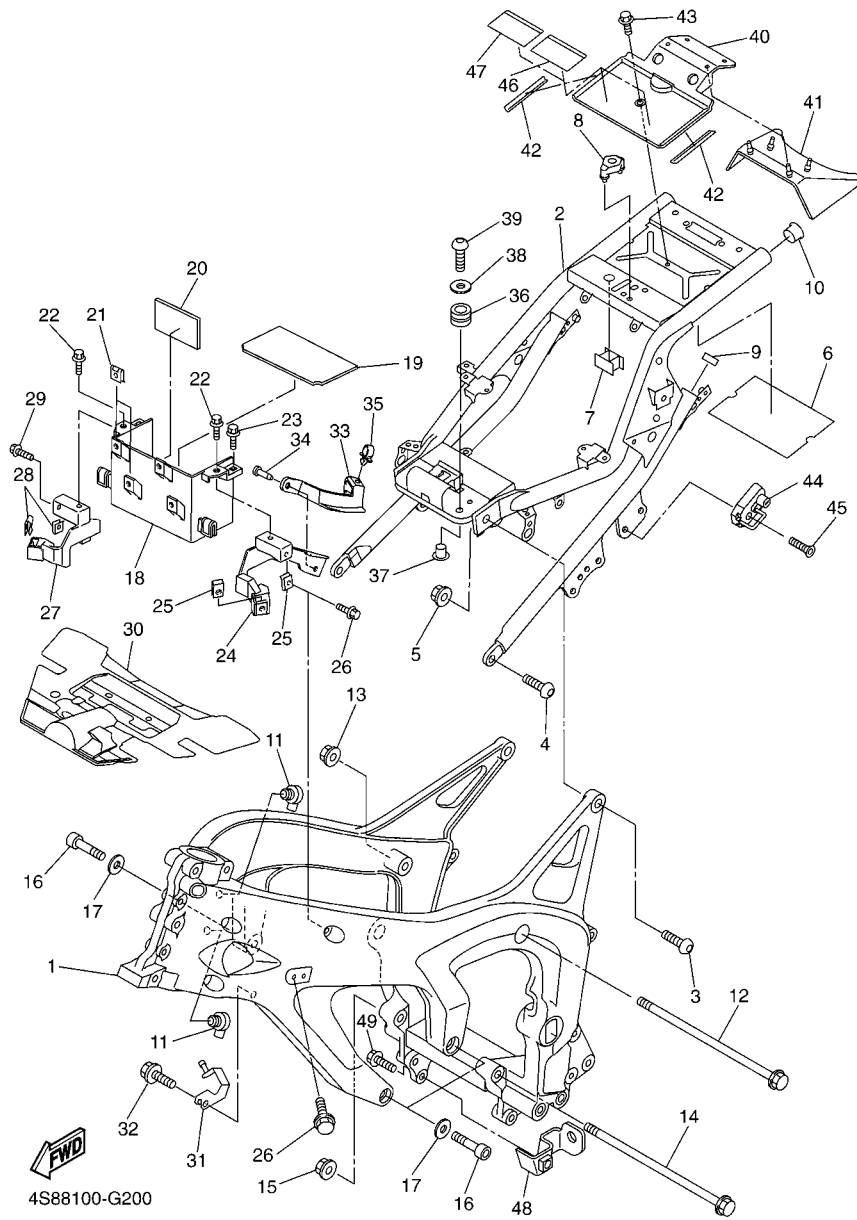
5EB3351-9170

FIG. 19 SHIFT SHAFT



5VXL300-F190

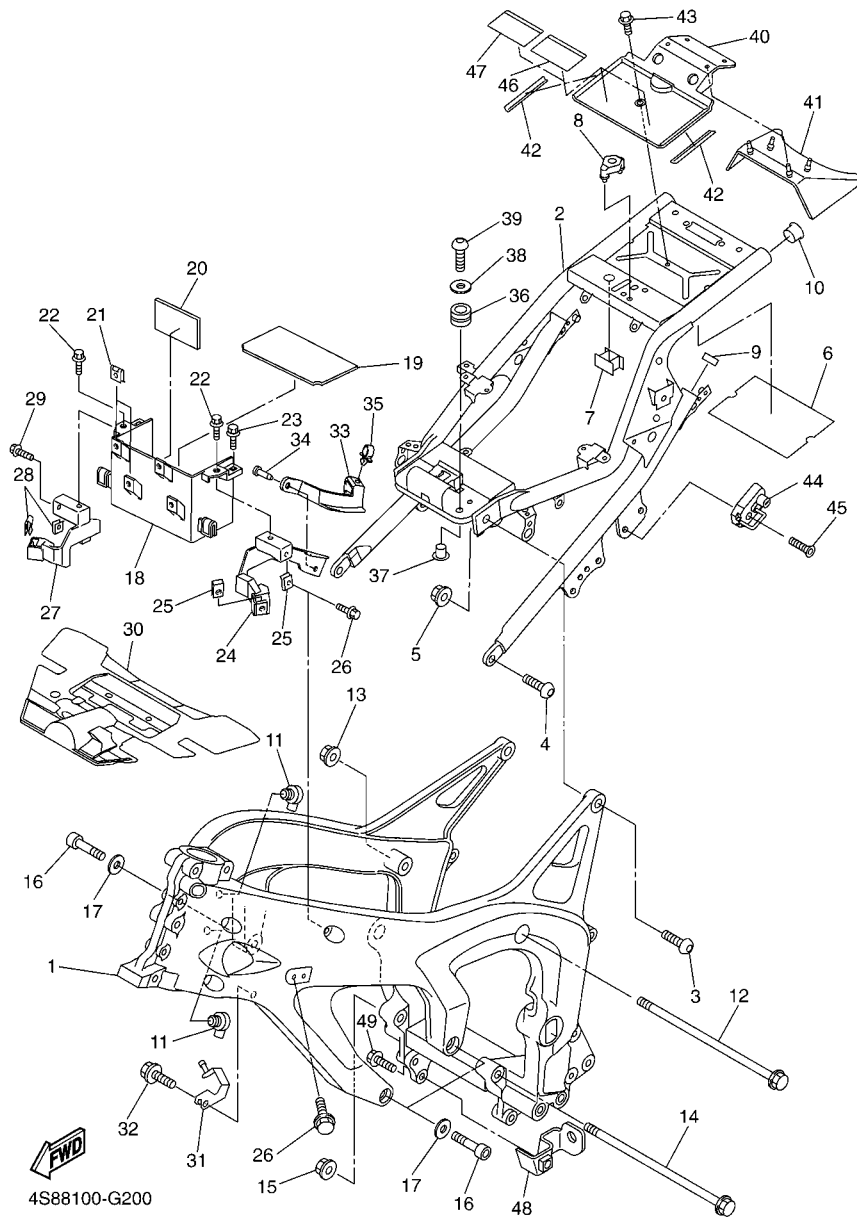
REF. NO.	PART NO.	DESCRIPTION	4S88	4S89	4S8A	REMARKS
1	90506-14003	SPRING, TENSION	1	1	1	
2	132-16346-00	HOOK, SPRING	1	1	1	
3	5VX-18140-00	STOPPER LEVER ASSY	1	1	1	
4	90387-127V3	COLLAR	1	1	1	
5	99009-17400	CIRCLIP	1	1	1	
6	90201-177G4	WASHER, PLATE	1	1	1	
7	90201-154E8	WASHER, PLATE (T=1.0)	1	1	1	
8	1D7-18127-00	STOPPER, SCREW	1	1	1	
9	5VX-18101-11	SHIFT SHAFT ASSY	1	1	1	
10	90508-295B2	.SPRING, TORSION	1	1	1	
11	5VX-18112-01	ARM, SHIFT	1	1	1	
12	95824-06020	BOLT, FLANGE	1	1	1	
13	5VX-18110-00	SHIFT PEDAL ASSY	1	1	1	
14	5EB-18113-00	.COVER, SHIFT PEDAL	1	1	1	
15	90201-12013	WASHER, PLATE	1	1	1	
16	90206-12074	WASHER, WAVE	1	1	1	
17	4BP-27434-01	BOLT	1	1	1	
18	90201-08784	WASHER, PLATE	1	1	1	
19	5VX-18115-02	ROD, SHIFT	1	1	1	
20	90170-06228	NUT(COUNTER CLOCKWISE)	1	1	1	
21	95304-06700	NUT	1	1	1	
22	5VX-27442-10	BRACKET 2	1	1	1	
23	5VX-27424-00	DAMPER, FOOTREST 2	2	2	2	
24	5VX-27114-00	STOPPER, MAIN STAND	1	1	1	
25	5VX-18116-00	JOINT, ROD 1	1	1	1	
26	5VX-18154-00	COVER, DUST	1	1	1	
27	4S8-27445-00	PLATE 1	1	1	1	



4S88100-G200

FIG. 20 FRAME

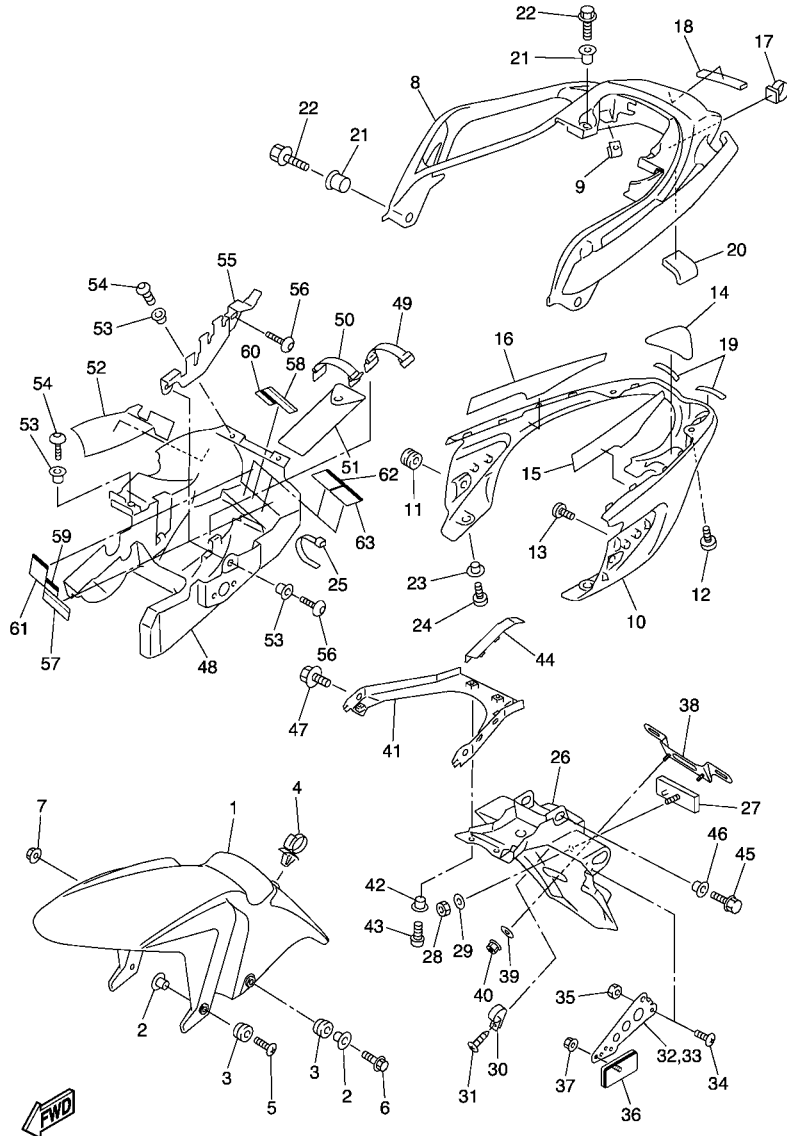
REF. NO.	PART NO.	DESCRIPTION	4S88	4S89	4S8A	REMARKS
1	4S8-21110-09	FRAME COMP.	1	1	1	
2	4S8-21190-09	REAR FRAME COMP.	1	1	1	
3	90149-10006	SCREW	2	2	2	
4	90149-10012	SCREW	2	2	2	
5	95607-10200	NUT, U FLANGE	2	2	2	
6	5VX-21268-00	SEAL	1	1	1	
7	5VX-2139B-00	SEAL	1	1	1	
8	5VX-2140A-00	DAMPER, STOPPER	1	1	1	
9	3YJ-24481-00	PLUG	2	2	2	
10	90338-21145	PLUG	1	1	1	
11	5VX-21279-10	PLUG, BLIND	2	2	2	
12	90105-10032	BOLT, FLANGE	1	1	1	
13	90185-10002	NUT, SELF-LOCKING	1	1	1	
14	90105-10N53	BOLT, FLANGE	1	1	1	
15	90185-10002	NUT, SELF-LOCKING	1	1	1	
16	91314-10050	BOLT	3	3	3	
17	90201-10020	WASHER, PLATE	3	3	3	
18	5VX-2177G-00	BOX, BATTERY	1	1	1	
19	5VX-82122-00	SEAT, BATTERY	1	1	1	
20	5EJ-2414H-00	DAMPER, PLATE 1	1	1	1	
21	90183-06053	NUT, SPRING	2	2	2	
22	90109-06060	BOLT	2	2	2	
23	95807-06025	BOLT, FLANGE	2	2	2	
24	5VX-21238-00	BRACKET	1	1	1	
25	90183-060A1	NUT, SPRING	2	2	2	
26	90105-06557	BOLT, FLANGE	2	2	2	
27	5VX-21239-00	BRACKET 2	1	1	1	



4S88100-G200

FIG. 20 FRAME

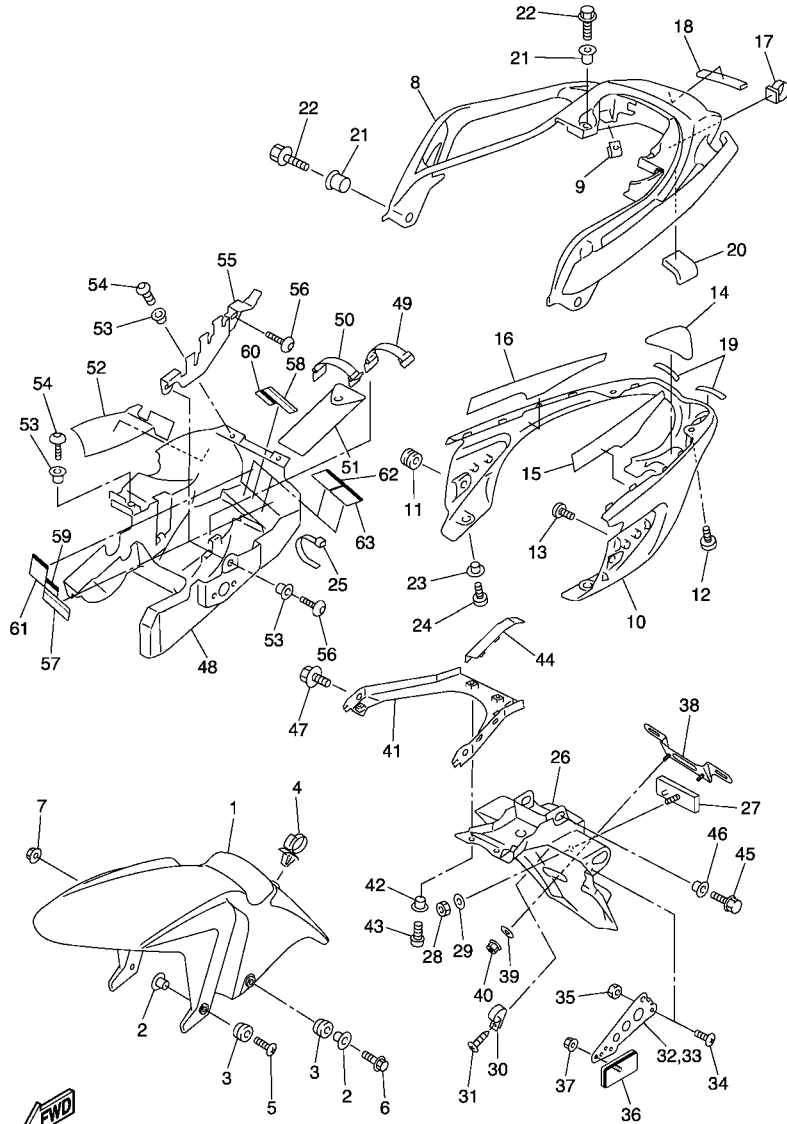
REF. NO.	PART NO.	DESCRIPTION	4S88	4S89	4S8A	REMARKS
28	90183-060A1	NUT, SPRING	2	2	2	
29	90105-06557	BOLT, FLANGE	2	2	2	
30	5VX-2117M-01	COVER 2	1	1	1	
31	5VX-21249-00	BRACKET	1	1	1	
32	95027-06012	BOLT, FLANGE	1	1	1	
33	5VX-2135F-00	COVER	1	1	1	
34	90269-08066	RIVET	2	2	2	
35	90464-15157	CLAMP	1	1	1	
36	90480-12237	GROMMET	2	2	2	
37	90387-06078	COLLAR	2	2	2	
38	90201-06055	WASHER, PLATE	2	2	2	
39	92017-06020	BOLT, BUTTON HEAD	2	2	2	
40	5VX-2139W-00	COVER	1	1	1	
41	5VX-2139R-00	COVER 2	1	1	1	
42	5VX-21269-00	SEAL	2	2	2	
43	90109-067F4	BOLT	1	1	1	
44	4R8-21308-01	HELMET HANGER ASSY	1	1	1	
45	90151-06018	SCREW, COUNTERSUNK	1	1	1	
46	5VX-2117B-01	LABEL, WARNING	1	1	1	
47	5VX-2117B-11	LABEL, WARNING			1	
48	4S8-2119V-00	BRACKET	1	1	1	
49	95827-08025	BOLT, FLANGE	1	1	1	



4S82100-F210

FIG. 21 FENDER

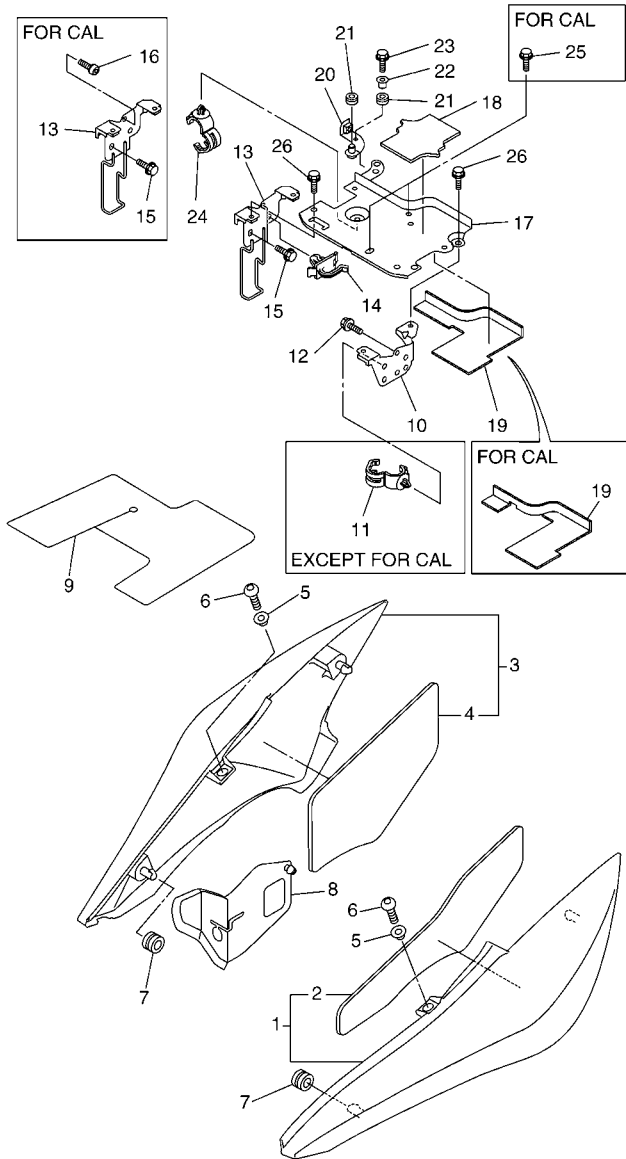
REF. NO.	PART NO.	DESCRIPTION	4S88	4S89	4S8A	REMARKS
1	4S8-21511-00-P0	FENDER, FRONT	1	1	1	UR FOR SMX
	4S8-21511-00-P7	FENDER, FRONT	1	1	1	UR FOR DPBMU
2	90387-065J6	COLLAR	4	4	4	
3	90480-12072	GROMMET	4	4	4	
4	90464-18002	CLAMP	1	1	1	
5	90154-06061	SCREW, BINDING	2	2	2	
6	90109-06031	BOLT	2	2	2	
7	90179-06403	NUT	2	2	2	
8	5VX-24773-00-P6	HANDLE, SEAT	1	1	1	UR FOR SMX
	5VX-24773-00-PA	HANDLE, SEAT	1	1	1	UR FOR DPBMU
9	90183-05061	NUT, SPRING	2	2	2	
10	5VX-21651-00	COVER, REAR FENDER	1	1	1	
11	90480-13398	GROMMET	2	2	2	
12	98907-05012	SCREW, BIND	2	2	2	
13	97707-50012	SCREW, TRUSS HEAD TAPPING	2	2	2	
14	5VX-21669-00	SEAL	1	1	1	
15	5VX-21732-00	SEAL 1	1	1	1	
16	5VX-21735-01	SEAL 2	1	1	1	
17	90464-14002	CLAMP	1	1	1	
18	5VX-88158-00	DAMPER	1	1	1	
19	5VX-21639-00	DAMPER 2	2	2	2	
20	31A-28217-00	DAMPER 1	1	1	1	
21	90387-09003	COLLAR	4	4	4	
22	95827-08025	BOLT, FLANGE	4	4	4	
23	90387-06107	COLLAR	2	2	2	
24	98907-06012	SCREW, BIND	2	2	2	
25	90465-13152	CLAMP	2	2	2	



FWD
4S82100-F210

FIG. 21 FENDER

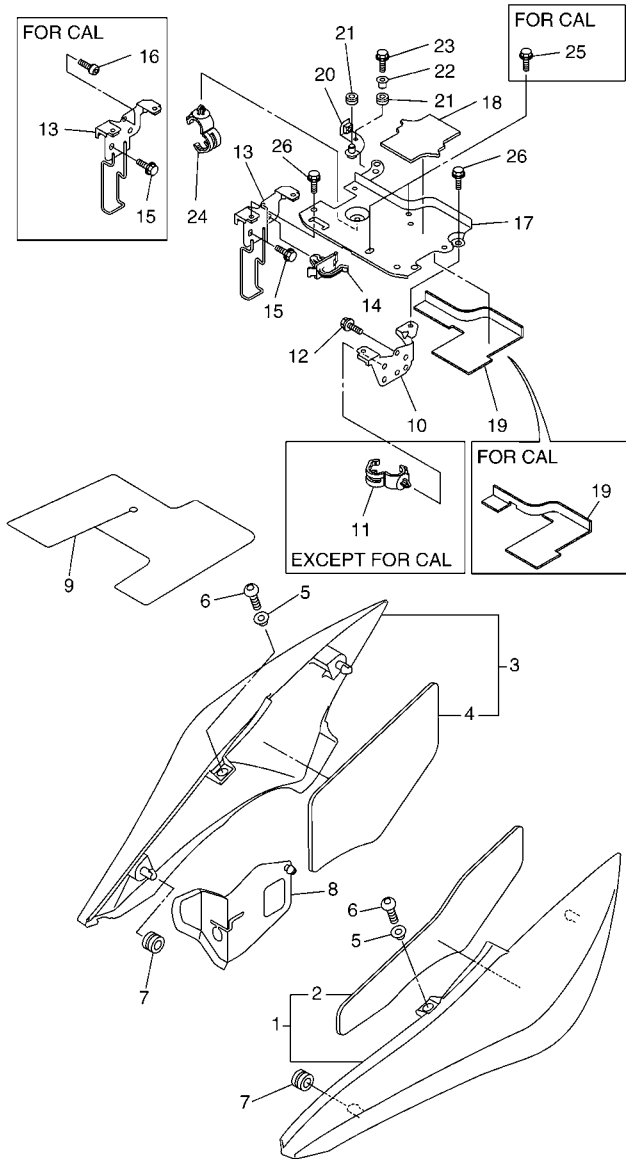
REF. NO.	PART NO.	DESCRIPTION	4S88	4S89	4S8A	REMARKS
26	5VX-21621-10	FLAP	1	1	1	
27	3Y6-85130-02	REAR REFLECTOR ASSY	1	1	1	
28	95607-05100	NUT, U	1	1	1	
29	90201-05725	WASHER, PLATE	1	1	1	
30	90464-18029	CLAMP	1	1	1	
31	97707-40012	SCREW, TAPPING	1	1	1	
32	5VX-2164H-00	STAY 3	1	1	1	
33	5VX-2164J-00	STAY 4	1	1	1	
34	90150-04041	SCREW, ROUND HEAD	4	4	4	
35	95607-04100	NUT, U	4	4	4	
36	3Y6-85130-02	REAR REFLECTOR ASSY	2	2	2	
37	95707-05500	NUT, FLANGE	2	2	2	
38	5MT-84751-00	BRACKET, LICENSE	1	1	1	
39	90201-06057	WASHER, PLATE	2	2	2	
40	95607-06100	NUT, U	2	2	2	
41	5VX-2161G-00	BRACKET 6	1	1	1	
42	90387-06107	COLLAR	2	2	2	
43	92017-06012	BOLT, BUTTON HEAD	2	2	2	
44	5VX-21665-00	GUIDE, MUD GUARD	1	1	1	
45	95827-06016	BOLT, FLANGE	2	2	2	
46	90387-06075	COLLAR	2	2	2	
47	95827-08012	BOLT, FLANGE	2	2	2	
48	5VX-21629-00	GUARD, MUD	1	1	1	
49	3TJ-82131-00	BAND, BATTERY	1	1	1	
50	122-82131-00	BAND, BATTERY	1	1	1	
51	5VX-28100-00	TOOL KIT	1	1	1	
52	5VX-2173N-01	SEAL 4	1	1	1	



4S88100-G220

FIG. 22 SIDE COVER

REF. NO.	PART NO.	DESCRIPTION	4S88	4S89	4S8A	REMARKS
1	5VX-21710-A0-P2	SIDE COVER ASSY 1	1	1	1	UR FOR SMX
	5VX-21710-A0-P4	SIDE COVER ASSY 1	1	1	1	UR FOR DPBMU
2	5VX-2174X-00	.DAMPER	1	1	1	
3	5VX-21720-A0-P2	SIDE COVER ASSY 2	1	1	1	UR FOR SMX
	5VX-21720-A0-P4	SIDE COVER ASSY 2	1	1	1	UR FOR DPBMU
4	5VX-2174Y-00	.DAMPER	1	1	1	
5	90387-06107	COLLAR	2	2	2	
6	92017-06014	BOLT, BUTTON HEAD	2	2	2	
7	90480-01558	GROMMET	2	2	2	
8	5VX-2163A-00	COVER, REAR FENDER 1	1	1	1	
9	5VX-2177F-00	FLAP	1	1	1	
10	5VX-21843-00	STAY, 4	1	1		
	5VX-21843-00	STAY, 4		1		
11	90464-20181	CLAMP	1	1		
12	95827-06010	BOLT, FLANGE	2	2	2	
13	5VX-22836-00	STAY, 3	1	1	1	
14	90464-14001	CLAMP	1	1	1	
15	95827-06010	BOLT, FLANGE	2	1	2	
16	92017-06012	BOLT, BUTTON HEAD		1		
17	4S8-2175V-00	BRACKET 3	1	1	1	
18	5VX-21779-00	DAMPNER, LOCATING 2	1	1	1	
19	5VX-2173M-00	SEAL 3	1	1		
	5VX-2173M-10	SEAL 3		1		
20	4P5-21228-00	BRACKET, RESERVE TANK	1	1	1	
21	90480-13163	GROMMET	2	2	2	
22	90560-06201	SPACER	1	1	1	
23	95807-06016	BOLT, FLANGE	1	1	1	



4S88100-G220

FIG. 22 SIDE COVER

REF. NO.	PART NO.	DESCRIPTION	4S88	4S89	4S8A	REMARKS
			1	1	1	
24	90464-20181	CLAMP	1	1	1	
25	95027-06012	BOLT, FLANGE		2		
26	95827-06010	BOLT, FLANGE	4	4	4	



4S82100-F230

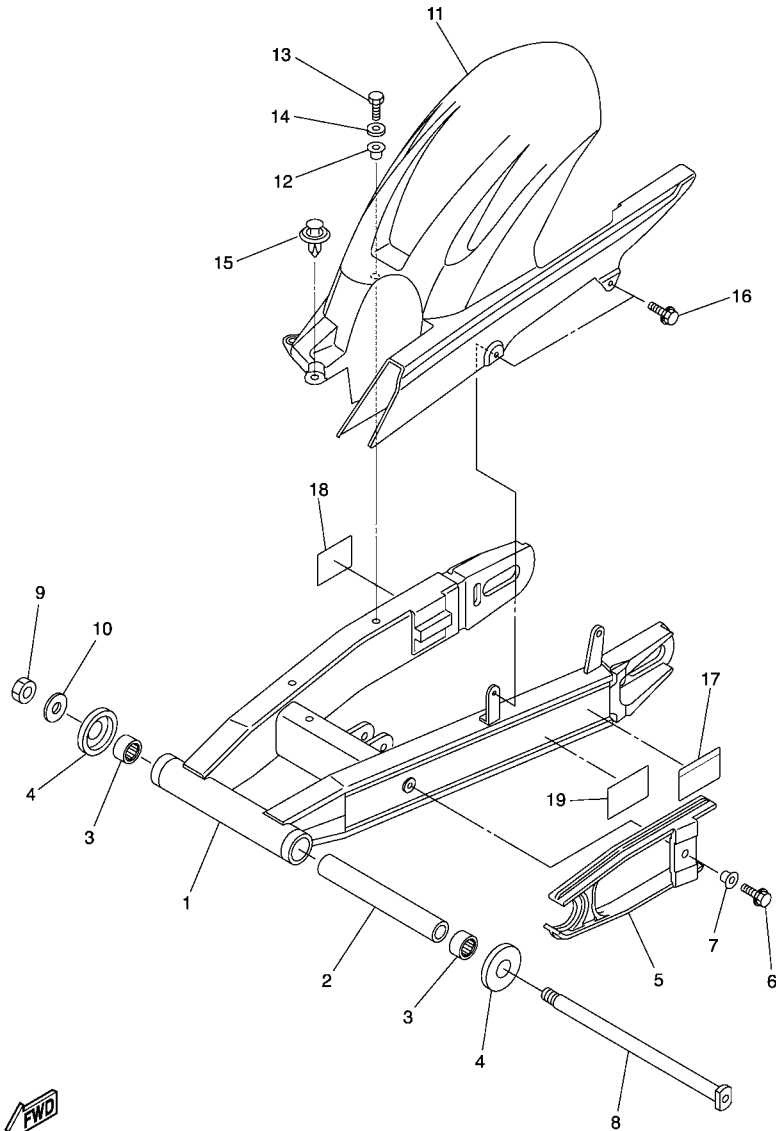
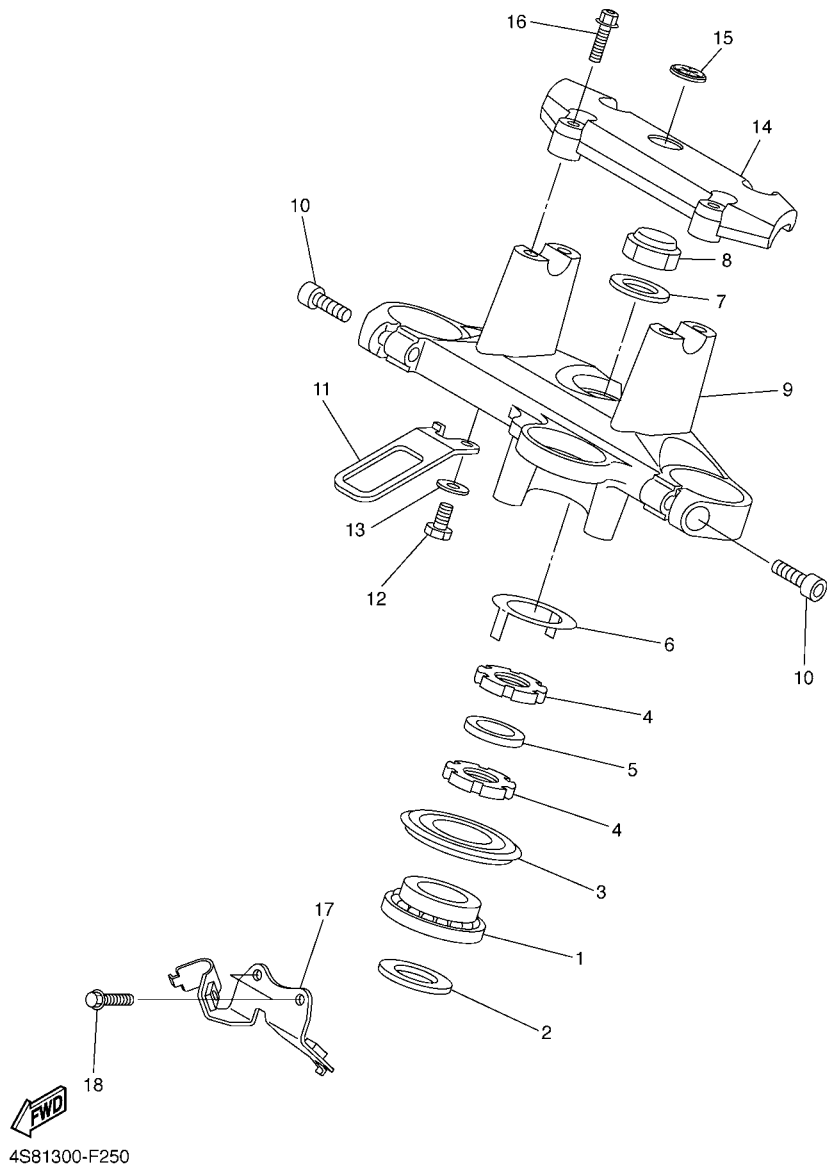


FIG. 23 REAR ARM

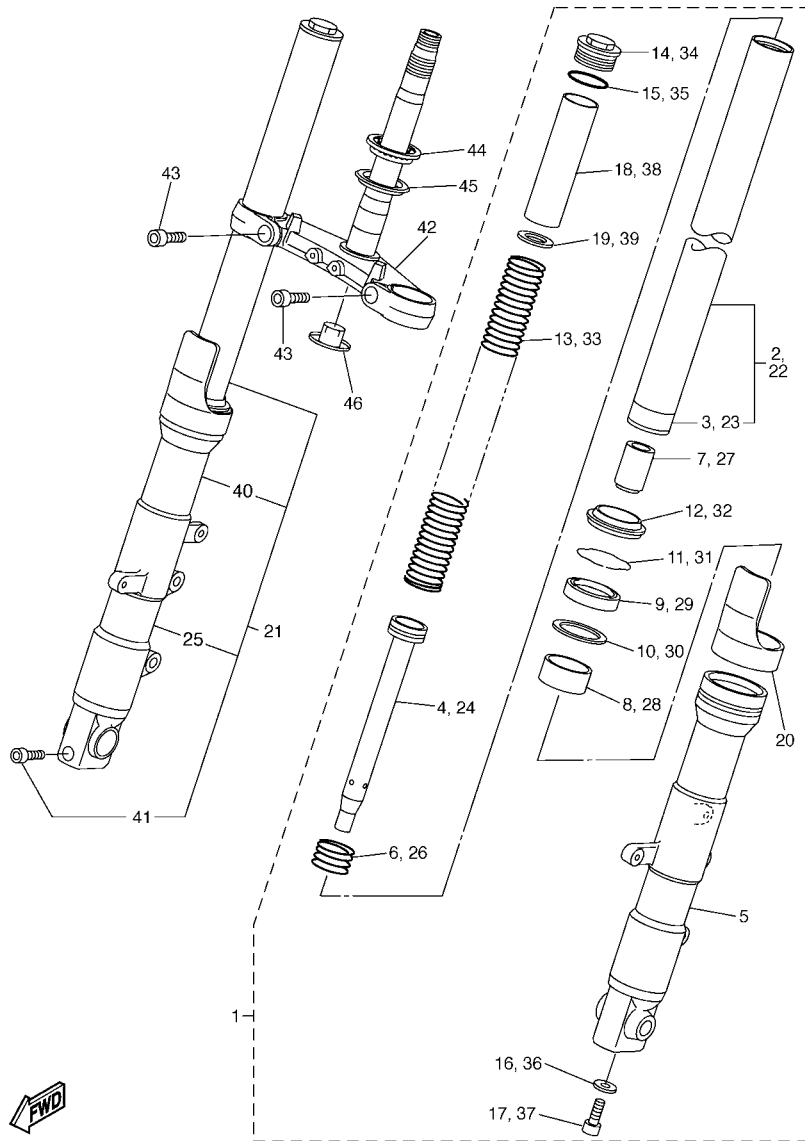
REF. NO.	PART NO.	DESCRIPTION	4S88	4S89	4S8A	REMARKS
1	4S8-22110-00	REAR ARM COMP.	1	1	1	
2	5EB-22184-00	BUSH	1	1	1	
3	93315-42523	BEARING	2	2	2	
4	5JJ-22128-00	COVER, THRUST 1	2	2	2	
5	5VX-22151-00	SEAL, GUARD	1	1	1	
6	90119-06096	BOLT, WITH WASHER	1	1	1	
7	90387-06372	COLLAR	1	1	1	
8	4FN-22141-00	SHAFT, PIVOT	1	1	1	
9	90185-18167	NUT, SELF-LOCKING	1	1	1	
10	90201-18020	WASHER, PLATE	1	1	1	
11	5VX-21650-00	REAR FENDER COMP.	1	1	1	
12	90387-06107	COLLAR	2	2	2	
13	97007-06025	BOLT	2	2	2	
14	92907-06600	WASHER, PLATE	2	2	2	
15	90269-08001	RIVET	1	1	1	
16	90119-06117	BOLT, WITH WASHER	2	2	2	
17	3XW-21668-A1	LABEL, TIRE	1	1	1	
18	3XW-21668-B1	LABEL, TIRE			1	
19	4S8-2179W-10	PLATE, EPA (NON CALIFORNIA)	1			
	4S8-2176P-10	PLATE, EPA (CALIFORNIA)		1		

FIG. 25 STEERING



REF. NO.	PART NO.	DESCRIPTION	4S88	4S89	4S8A	REMARKS
1	93399-99931	BEARING	1	1	1	
2	90202-24190	WASHER, PLATE	1	1	1	
3	5VX-23415-00	COVER, BALL RACE 1	1	1	1	
4	90179-25033	NUT	2	2	2	
5	90202-26142	WASHER, PLATE	1	1	1	
6	26H-23418-01	WASHER, SPECIAL	1	1	1	
7	90201-220T0	WASHER, PLATE	1	1	1	
8	90176-22081	NUT, CROWN	1	1	1	
9	5VX-23435-30	CROWN, HANDLE	1	1	1	
10	91314-08030	BOLT	2	2	2	
11	5VX-23389-00	GUIDE, CABLE	1	1	1	
12	97007-06016	BOLT	1	1	1	
13	92907-06600	WASHER, PLATE	1	1	1	
14	4S8-23441-00	HOLDER, HANDLE UPPER	1	1	1	
15	4XV-2341B-00	EMBLEM	1	1	1	
16	95024-08035	BOLT, FLANGE	4	4	4	
17	4P5-23377-00	BRACKET, HORN	1	1	1	
18	95807-06012	BOLT, FLANGE	2	2	2	

FIG. 26 FRONT FORK

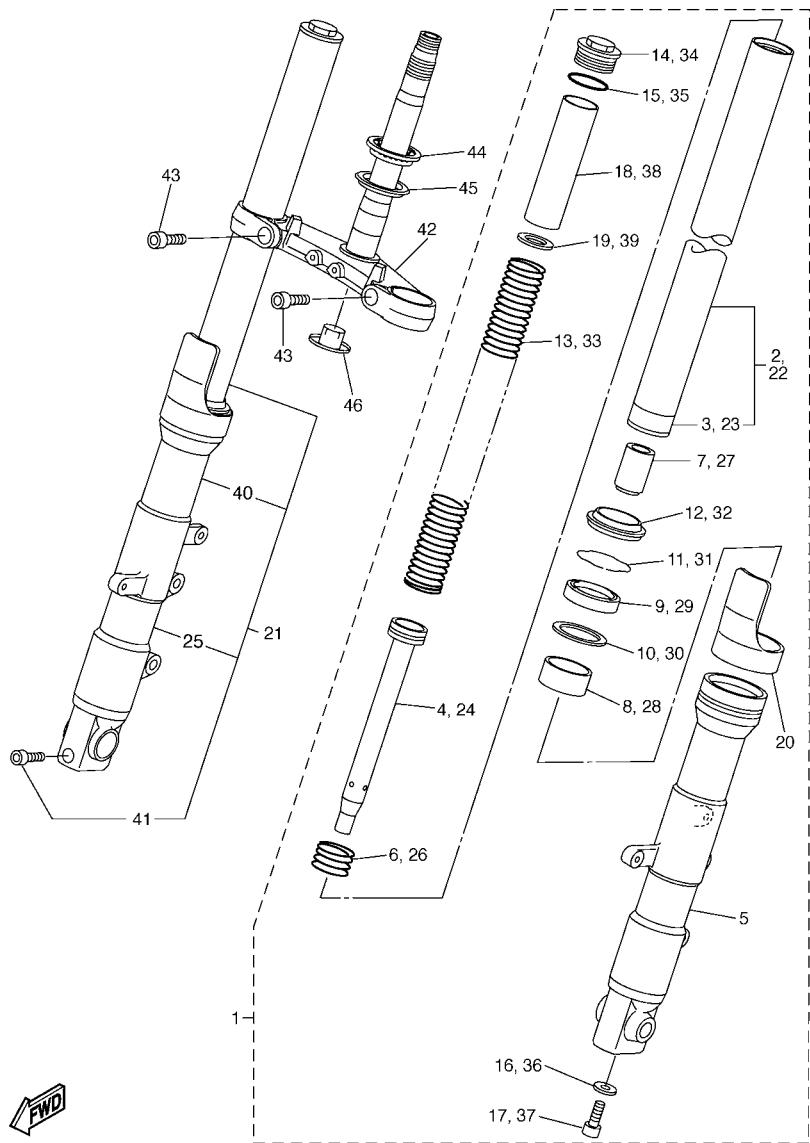



4S81300-F260

REF. NO.	PART NO.	DESCRIPTION	4S88	4S89	4S8A	REMARKS
1	4S8-23102-00	FRONT FORK ASSY (L.H)	1	1	1	
2	4S8-23110-00	.INNER TUBE COMP.1	1	1	1	
3	4TX-23135-B0	..METAL, SLIDE 2	1	1	1	
4	5VX-23170-00	.CYLINDER COMP., FRONT FORK	1	1	1	
5	4S8-23126-00	.TUBE, OUTER (LEFT)	1	1	1	
6	4TX-23151-00	.SPRING, REBOUND	1	1	1	
7	4TX-23173-00	.SPINDLE, TAPER	1	1	1	
8	4TX-23125-B0	.METAL, SLIDE 1	1	1	1	
9	5VX-23145-00	.OIL SEAL	1	1	1	
10	4TX-23115-00	.GUIDE, COVER UPPER	1	1	1	
11	4TX-23156-00	.CLIP, OIL SEAL	1	1	1	
12	4TX-23144-00	.SEAL, DUST	1	1	1	
13	5VX-23141-00	.SPRING, FRONT FORK	1	1	1	
14	5VX-2311H-00	.FORK BOLT	1	1	1	
15	93210-34504	.O-RING	1	1	1	
16	90430-10171	.GASKET	1	1	1	
17	90110-10N52	.BOLT, HEXAGON SOCKET HEAD	1	1	1	
18	5VX-23118-00	.SPACER	1	1	1	
19	4S8-23142-00	.SEAT, SPRING UPPER	1	1	1	
20	4TX-2331G-00	.COVER	1	1	1	
21	4S8-23103-00	FRONT FORK ASSY (R.H)	1	1	1	
22	4S8-23110-00	.INNER TUBE COMP.1	1	1	1	
23	4TX-23135-B0	..METAL, SLIDE 2	1	1	1	
24	5VX-23170-00	.CYLINDER COMP., FRONT FORK	1	1	1	
25	4S8-23136-00	.TUBE, OUTER (RIGHT)	1	1	1	
26	4TX-23151-00	.SPRING, REBOUND	1	1	1	
27	4TX-23173-00	.SPINDLE, TAPER	1	1	1	

D12

FIG. 26 FRONT FORK




4S81300-F260

REF. NO.	PART NO.	DESCRIPTION	4S88	4S89	4S8A	REMARKS
28	4TX-23125-B0	.METAL, SLIDE 1	1	1	1	
29	5VX-23145-00	.OIL SEAL	1	1	1	
30	4TX-23115-00	.GUIDE, COVER UPPER	1	1	1	
31	4TX-23156-00	.CLIP, OIL SEAL	1	1	1	
32	4TX-23144-00	.SEAL, DUST	1	1	1	
33	5VX-23141-00	.SPRING, FRONT FORK	1	1	1	
34	5VX-2311H-00	.FORK BOLT	1	1	1	
35	93210-34504	.O-RING	1	1	1	
36	90430-10171	.GASKET	1	1	1	
37	90110-10N52	.BOLT, HEXAGON SOCKET HEAD	1	1	1	
38	5VX-23118-00	.SPACER	1	1	1	
39	4S8-23142-00	.SEAT, SPRING UPPER	1	1	1	
40	4TX-2331G-00	.COVER	1	1	1	
41	91314-08045	.BOLT	1	1	1	
42	5VX-23340-00	UNDER BRACKET COMP.	1	1	1	
43	91312-10025	BOLT	2	2	2	
44	93399-99932	BEARING	1	1	1	
45	3FV-23462-00	SEAL, STEERING	1	1	1	
46	4KM-23123-01	COVER, LOWER 1	1	1	1	

D13

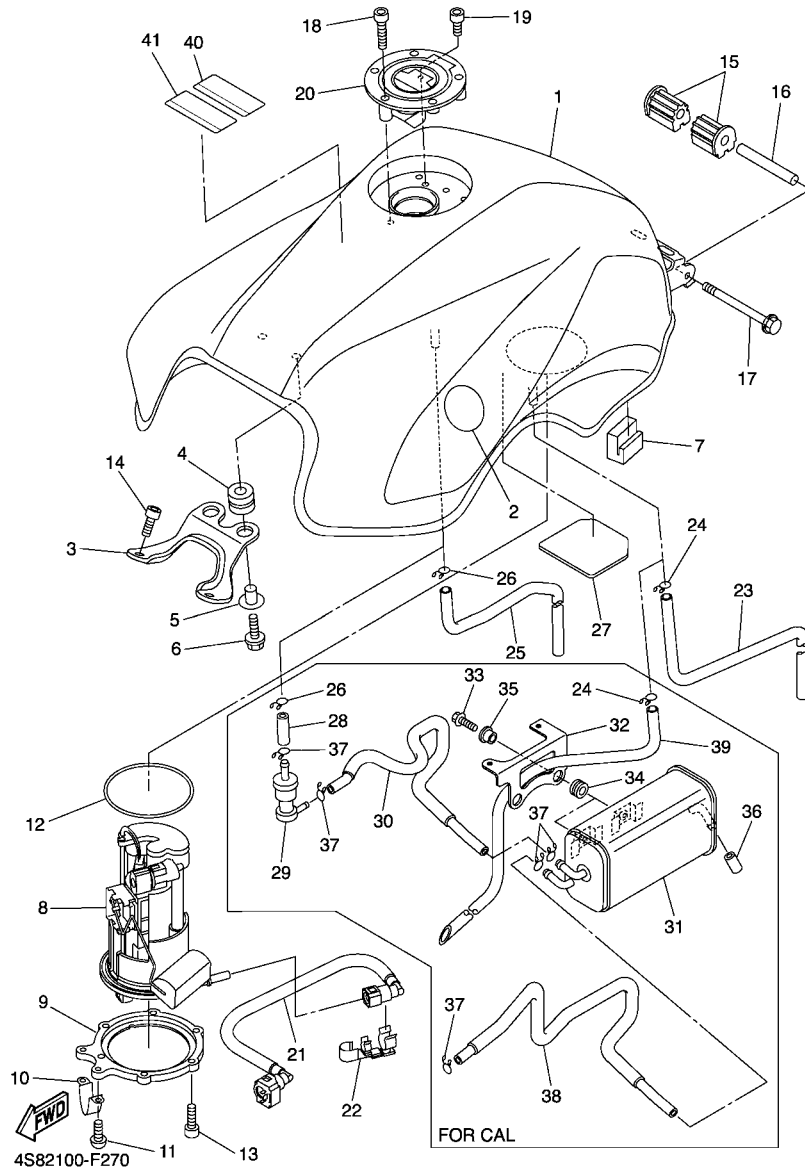


FIG. 27 FUEL TANK

REF. NO.	PART NO.	DESCRIPTION	4S88	4S89	4S8A	REMARKS
1	5VX-YK241-30-P3	FUEL TANK COMP.	1	1	1	UR FOR SMX
	5VX-YK241-30-PD	FUEL TANK COMP.	1	1	1	UR FOR DPBMU
2	5SL-2413B-00	EMBLEM	2	2	2	
3	5VX-24191-00	BRACKET, FUEL TANK 1	1	1	1	
4	90480-15005	GROMMET	2	2	2	
5	90387-06068	COLLAR	2	2	2	
6	90119-06062	BOLT, WITH WASHER	2	2	2	
7	5VX-24183-00	DAMPER, LOCATING 3	2	2	2	
8	5VX-13907-01	FUEL PUMP COMP.	1	1	1	
9	5SL-24491-00	BRACKET, FUEL PUMP	1	1	1	
10	5PW-24192-00	BRACKET, FUEL TANK 2	1	1	1	
11	98907-05008	SCREW, BIND	2	2	2	
12	5JW-24486-00	O-RING	1	1	1	
13	90110-05014	BOLT, HEXAGON SOCKET HEAD	6	6	6	
14	90110-06079	BOLT, HEXAGON SOCKET HEAD	2	2	2	
15	5VX-24181-00	DAMPER, LOCATING 1	2	2	2	
16	90387-061W6	COLLAR	1	1	1	
17	95827-06090	BOLT, FLANGE	1	1	1	
18	90110-05112	BOLT, HEXAGON SOCKET HEAD	3	3	3	
19	91317-05010	BOLT	1	1	1	
20	5JJ-24602-00	CAP ASSY	1	1	1	
21	5VX-13971-00	PIPE, FUEL 1	1	1	1	
22	90464-16005	CLAMP	1	1	1	
23	90445-10033	HOSE	1	1	1	
24	90467-10008	CLIP	1	1	1	
25	90445-10032	HOSE	1	1	1	
26	90467-10008	CLIP	1	1	1	

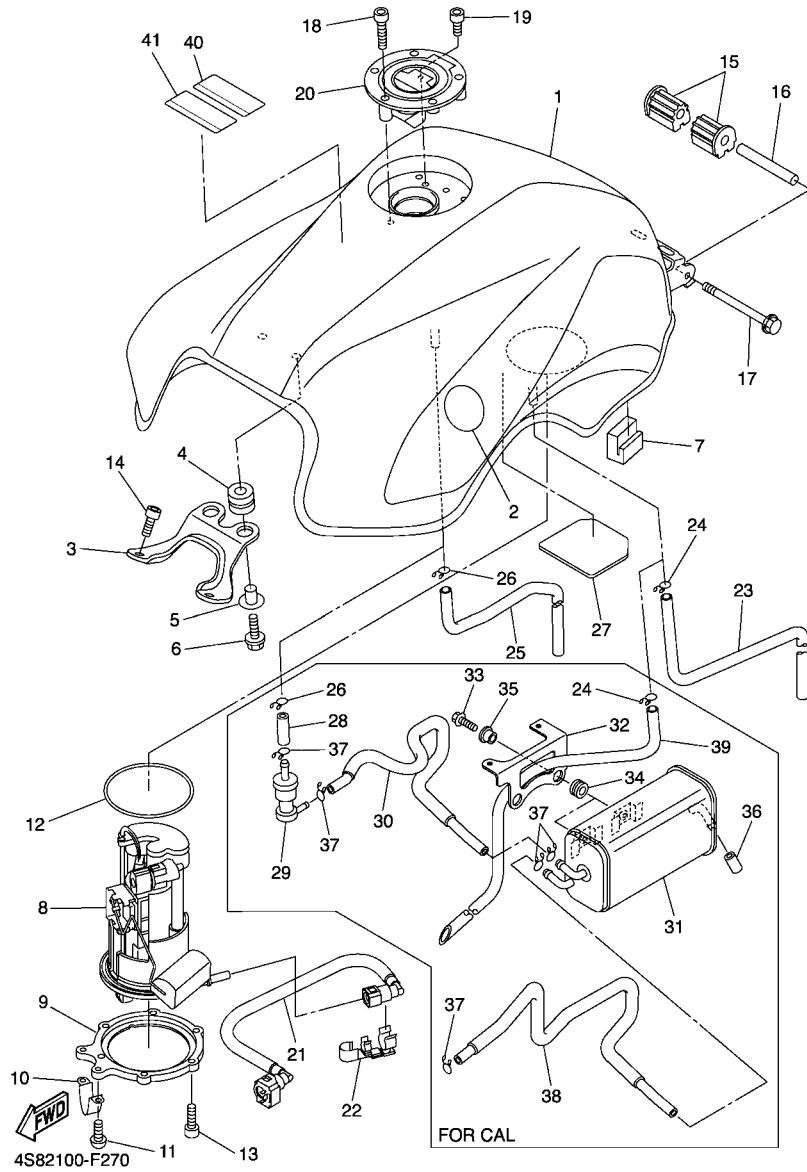


FIG. 27 FUEL TANK

REF. NO.	PART NO.	DESCRIPTION	4S88	4S89	4S8A	REMARKS
			1	1	1	
27	5VX-24141-00	PROTECTOR, FUEL TANK	1	1	1	
28	90445-11732	HOSE (L30)		1		
29	5RB-24180-00	ROLL OVER VALVE ASSY		1		
30	5VX-24314-01	PIPE 4		1		
31	5VX-24170-00	CANISTER ASSY		1		
32	5VX-2419F-00	BRACKET, CANISTOR		1		
33	95807-06016	BOLT, FLANGE		2		
34	90480-13163	GROMMET		2		
35	90387-062L2	COLLAR		2		
36	90445-11418	HOSE (L18)		1		
37	90467-10008	CLIP		5		
38	5VX-14466-01	PIPE		1		
39	90445-10033	HOSE		1		
40	5GK-2118K-00	LABEL, CAUTION	1	1	1	
41	5GK-2118K-10	LABEL, CAUTION			1	

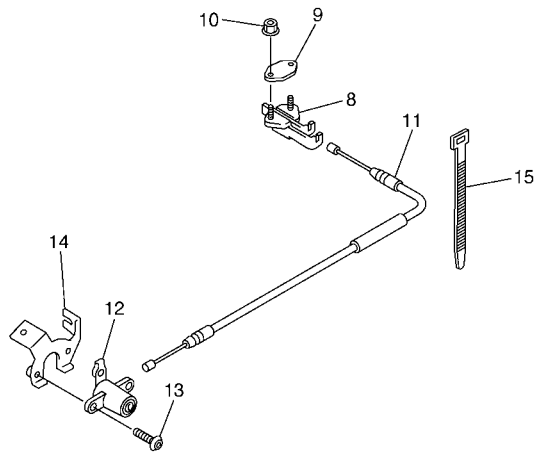
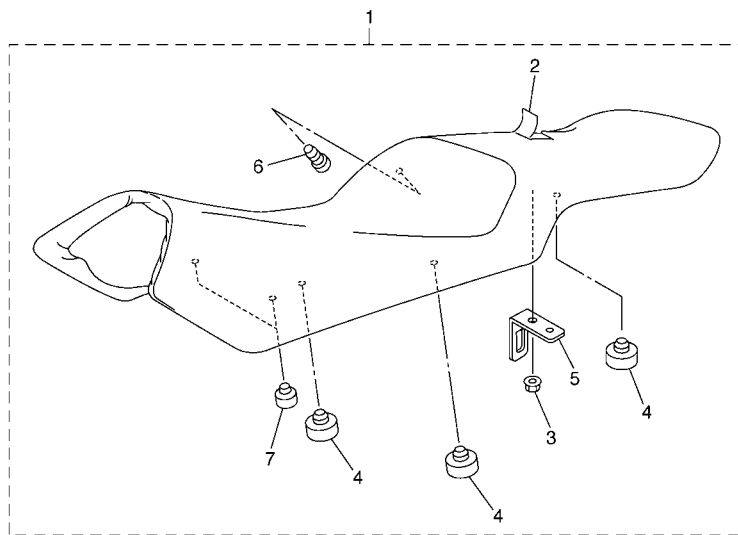
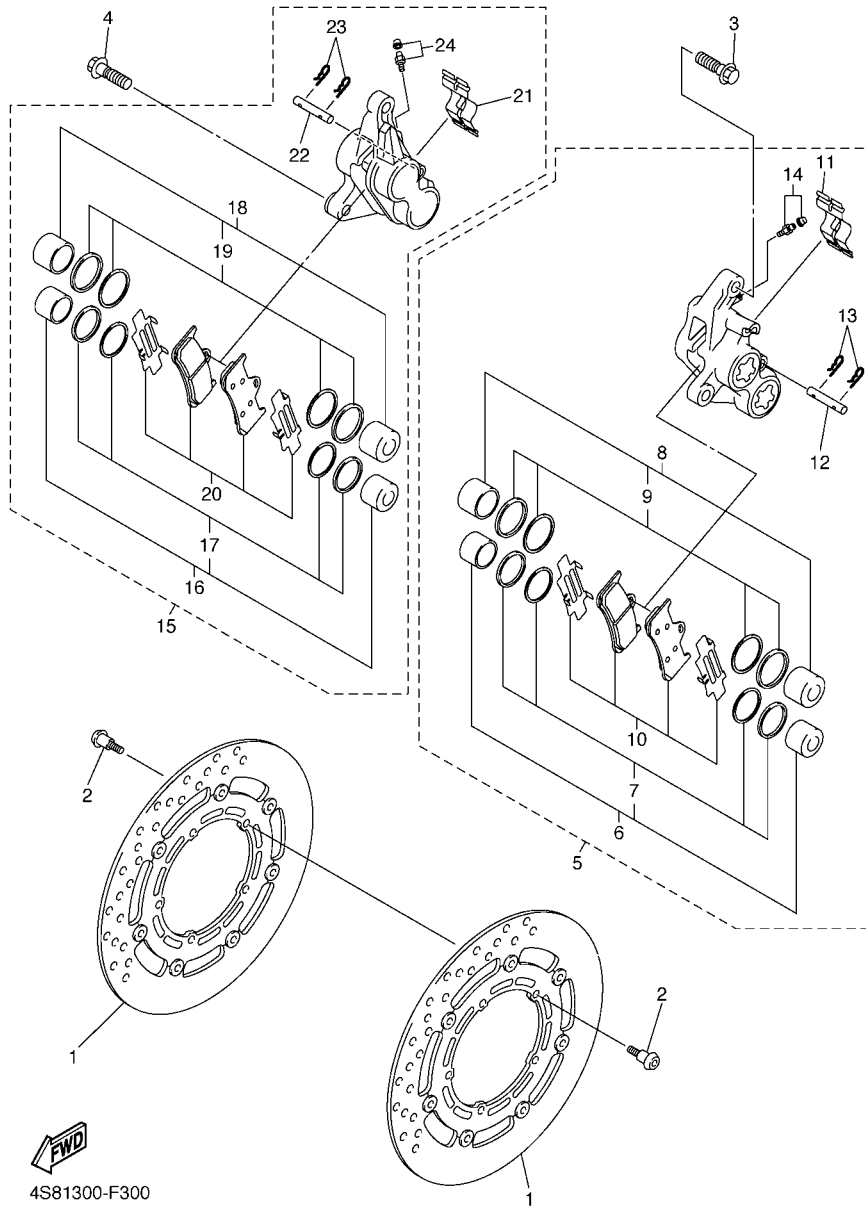


FIG. 28 SEAT

REF. NO.	PART NO.	DESCRIPTION	4S88	4S89	4S8A	REMARKS
1	4S8-24730-00	DOUBLE SEAT ASSY	1	1	1	
2	4S8-2470F-00	.SEAT COVER COMP.	1	1	1	
3	95602-06200	.NUT, SELF-LOCKING	1	1	1	
4	371-27114-00	.STOPPER, MAIN STAND	6	6	6	
5	4NK-24728-00	.BRACKET, SEAT	1	1	1	
6	90338-06018	.PLUG	1	1	1	
7	5VX-24724-00	.DAMPER, SEAT	2	2	2	
8	4BP-24780-00	SEAT LOCK ASSY	1	1	1	
9	4BP-24792-00	PLATE	1	1	1	
10	95707-06500	NUT, FLANGE	2	2	2	
11	5VX-2478E-00	CABLE, SEAT LOCK	1	1	1	
12	2TV-W2470-00	ROTOR SET	1	1	1	
13	90149-06308	SCREW	2	2	2	
14	5PW-2117K-00	STAY, LOCK	1	1	1	
15	90464-16061	CLAMP	1	1	1	



5VX1351-C280



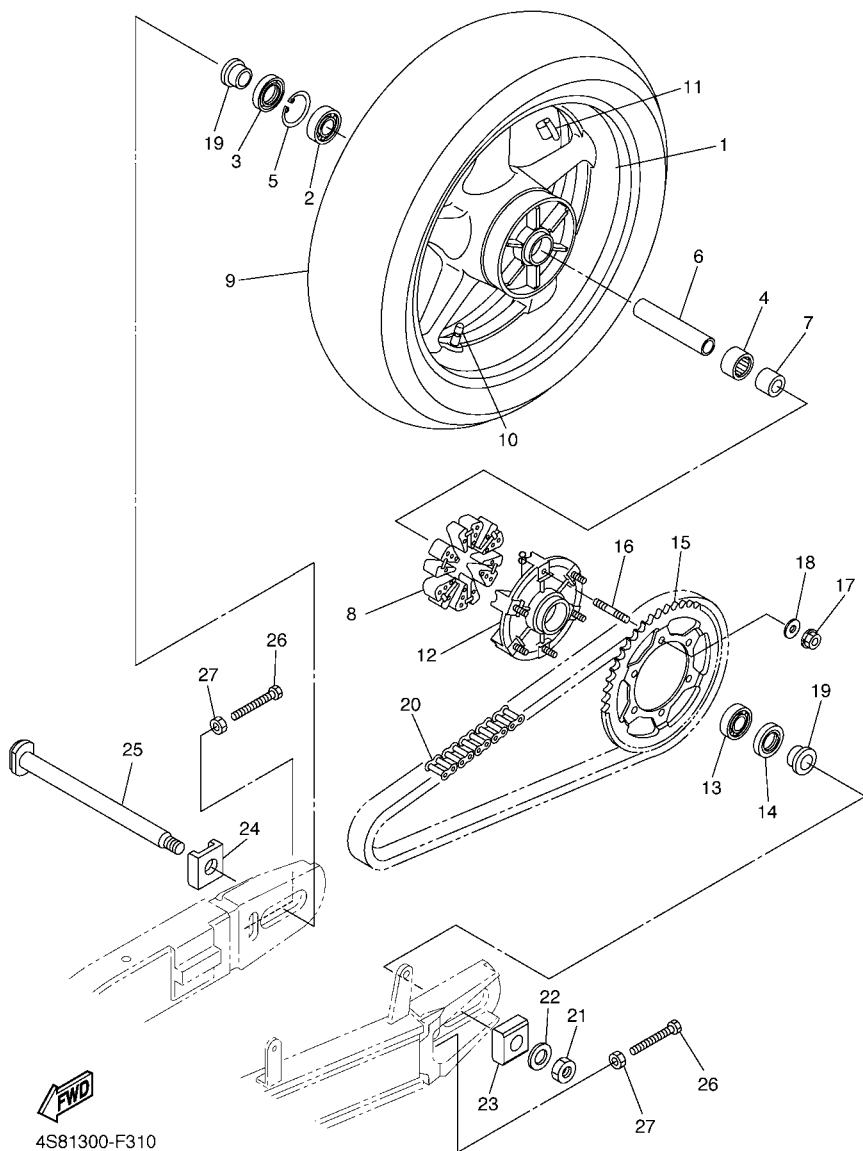
4S81300-F300

FIG. 30 FRONT BRAKE CALIPER

REF. NO.	PART NO.	DESCRIPTION	4S88	4S89	4S8A	REMARKS
1	5VX-2581T-01	DISK BRAKE ASSY	2	2	2	
2	90109-064G6	BOLT	10	10	10	
3	90105-10638	BOLT, FLANGE	2	2	2	
4	90105-10638	BOLT, FLANGE	2	2	2	
5	4S8-2580T-00	CALIPER ASSY (LEFT)	1	1	1	
6	4SV-W0057-00	.PISTON ASSY, CALIPER	1	1	1	
7	3MA-W0047-10	..CALIPER SEAL KIT	1	1	1	
8	4SV-W0057-10	.PISTON ASSY, CALIPER	1	1	1	
9	3GM-W0047-10	..CALIPER SEAL KIT	1	1	1	
10	5VN-W0045-00	.BRAKE PAD KIT	1	1	1	
11	4SV-25919-00	.SUPPORT, PAD	1	1	1	
12	4SV-25924-00	.PIN, PAD	1	1	1	
13	3GM-25925-00	.CLIP	2	2	2	
14	1J3-W0048-00	.BLEED SCREW KIT	1	1	1	
15	4S8-2580U-00	CALIPER ASSY (RIGHT)	1	1	1	
16	4SV-W0057-00	.PISTON ASSY, CALIPER	1	1	1	
17	3MA-W0047-10	..CALIPER SEAL KIT	1	1	1	
18	4SV-W0057-10	.PISTON ASSY, CALIPER	1	1	1	
19	3GM-W0047-10	..CALIPER SEAL KIT	1	1	1	
20	5VN-W0045-00	.BRAKE PAD KIT	1	1	1	
21	4SV-25919-00	.SUPPORT, PAD	1	1	1	
22	4SV-25924-00	.PIN, PAD	1	1	1	
23	3GM-25925-00	.CLIP	2	2	2	
24	1J3-W0048-00	.BLEED SCREW KIT	1	1	1	

FIG. 31 REAR WHEEL

REF. NO.	PART NO.	DESCRIPTION	4S88	4S89	4S8A	REMARKS
1	5SL-25338-00-98	CAST WHEEL, REAR	1	1	1	LGB
2	93306-20531	BEARING	1	1	1	
3	93106-40013	OIL SEAL	1	1	1	
4	93317-43580	BEARING	1	1	1	
5	93420-61M07	CIRCLIP	1	1	1	
6	4XV-25317-00	SPACER, BEARING	1	1	1	
7	5SL-25383-00	COLLAR, WHEEL	1	1	1	
8	5VX-25364-00	DAMPER	6	6	6	
9	94118-17041	TIRE(180/55ZR17M/C 73W BT020R)	1	1	1	UR BRIDGESTONE
	94118-17053	TIRE(180/55ZR17M/C 73W D252)	1	1	1	UR DUNLOP
10	93900-00030	VALVE, RIM (TR412)	1	1	1	TAIHEIYO
11	5MT-25398-00	BALANCER, WHEEL (10G)	1	1	1	UR
	5MT-25398-10	BALANCER, WHEEL (20G)	1	1	1	UR
	5MT-25398-20	BALANCER, WHEEL (30G)	1	1	1	UR
12	5SL-25366-00	CLUTCH, HUB	1	1	1	
13	93306-20531	BEARING	1	1	1	
14	93106-40013	OIL SEAL	1	1	1	
15	5VX-25446-01	SPROCKET, DRIVEN (46T)	1	1	1	
16	90116-10485	BOLT, STUD	6	6	6	
17	90185-10009	NUT, SELF-LOCKING	6	6	6	
18	90201-10021	WASHER, PLATE	6	6	6	
19	90387-28001	COLLAR	2	2	2	
20	94582-11118	CHAIN (DID50V4-118LE)	1	1	1	
21	90185-24007	NUT, SELF-LOCKING	1	1	1	
22	90201-25020	WASHER, PLATE	1	1	1	
23	5SL-25388-00	PULLER, CHAIN 1	1	1	1	
24	5SL-25389-00	PULLER, CHAIN 2	1	1	1	



4S81300-F310

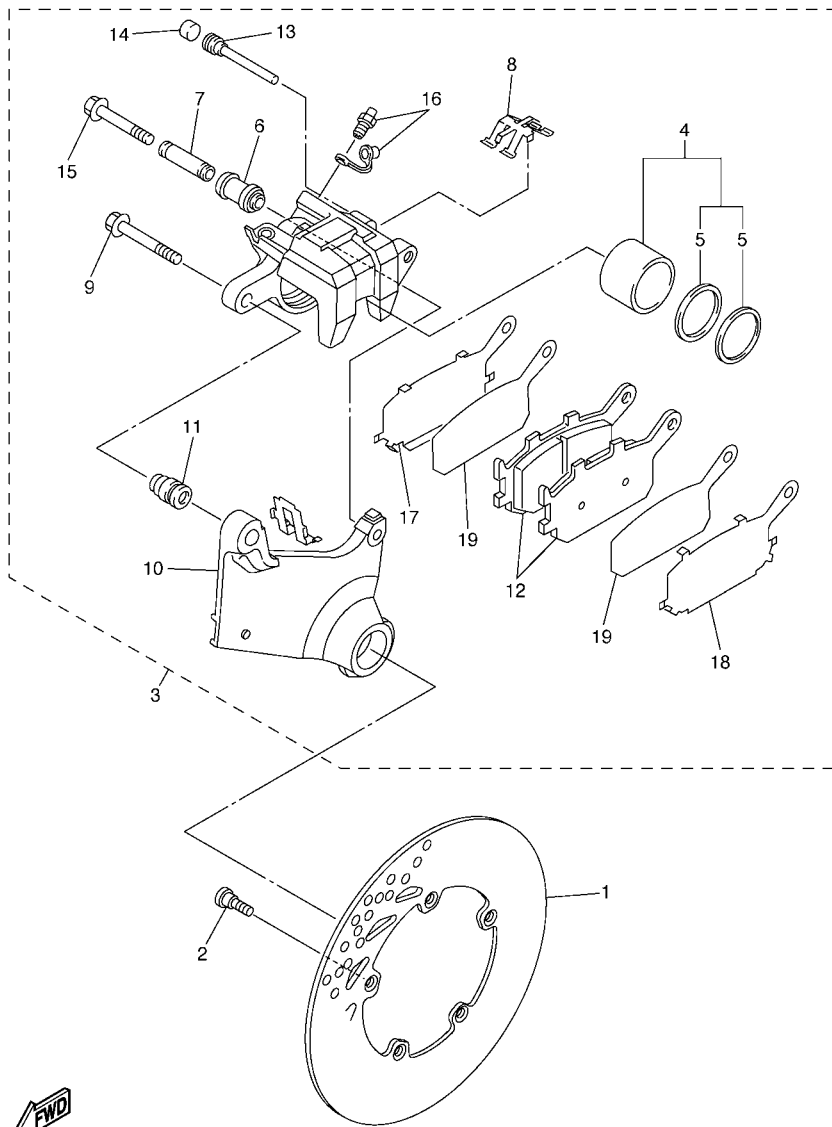


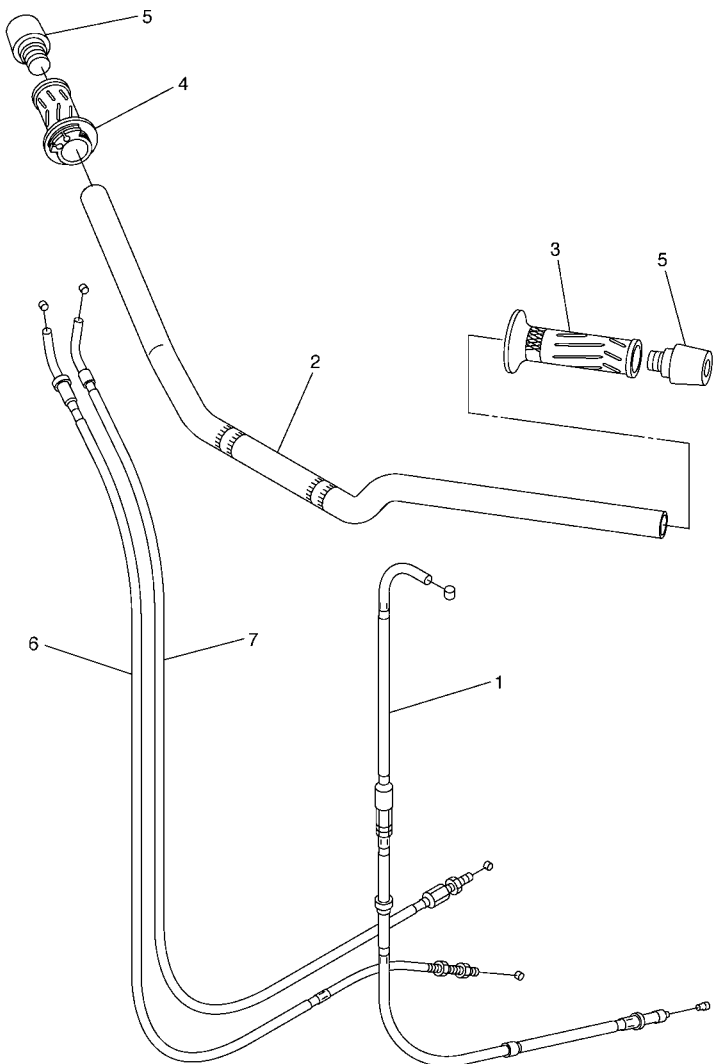
FIG. 32 REAR BRAKE CALIPER

REF. NO.	PART NO.	DESCRIPTION	4S88	4S89	4S8A	REMARKS
1	2D1-2582W-00	DISK, REAR BRAKE 2	1	1	1	
2	90109-08045	BOLT	5	5	5	
3	5VX-2580W-00	CALIPER ASSY, REAR 2	1	1	1	
4	5SL-W0057-00	.PISTON ASSY, CALIPER	1	1	1	
5	5SL-W0047-00	..CALIPER SEAL KIT	1	1	1	
6	5SL-25917-00	.BOOT, CALIPER	1	1	1	
7	5SL-25838-00	.SLEEVE, CALIPER	1	1	1	
8	5SL-25919-00	.SUPPORT, PAD	1	1	1	
9	5SL-25914-00	.PIN, SLIDE	1	1	1	
10	5VX-25921-50	.BRACKET, SUPPORT	1	1	1	
11	3JD-25917-00	.BOOT, CALIPER	1	1	1	
12	5VX-W0046-00	.BRAKE PAD KIT 2	1	1	1	
13	8CR-25924-00	.PIN, PAD	1	1	1	
14	5DH-25916-00	.PLUG	1	1	1	
15	5SL-25926-00	.BOLT	1	1	1	
16	1UY-W0048-00	.BLEED SCREW KIT	1	1	1	
17	5SL-25827-00	.SHIM, CALIPER	1	1	1	
18	5SL-25827-10	.SHIM, CALIPER	1	1	1	
19	5SL-25828-00	.SHIM, CALIPER	2	2	2	



2D11300-E330

FIG. 33 STEERING HANDLE & CABLE



REF. NO.	PART NO.	DESCRIPTION	4S88	4S89	4S8A	REMARKS
1	5VX-26335-00	CABLE, CLUTCH	1	1	1	
2	5VX-26111-10	HANDLEBAR	1	1	1	
3	4YR-26241-02	GRIP (LEFT)	1	1	1	
4	4YR-26240-02	GRIP ASSY	1	1	1	
5	51J-26246-01	END, GRIP	2	2	2	
6	5VX-26311-00	CABLE, THROTTLE 1	1	1	1	
7	5VX-26312-00	CABLE, THROTTLE 2	1	1	1	

FWD
5VX6300-D330

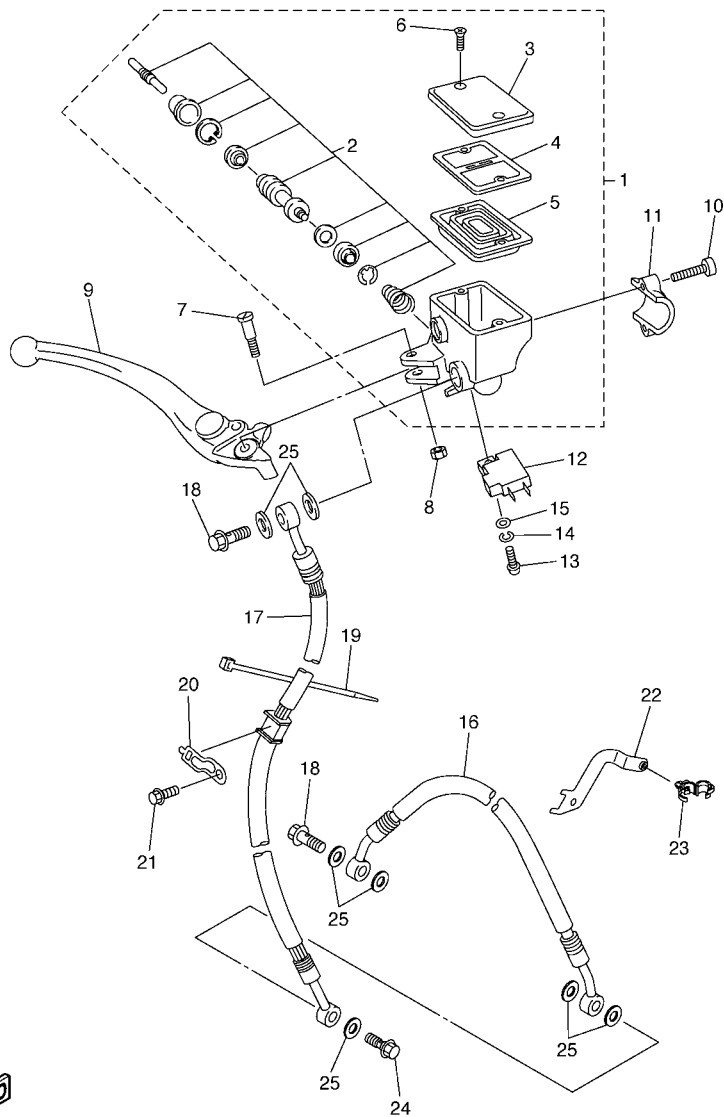
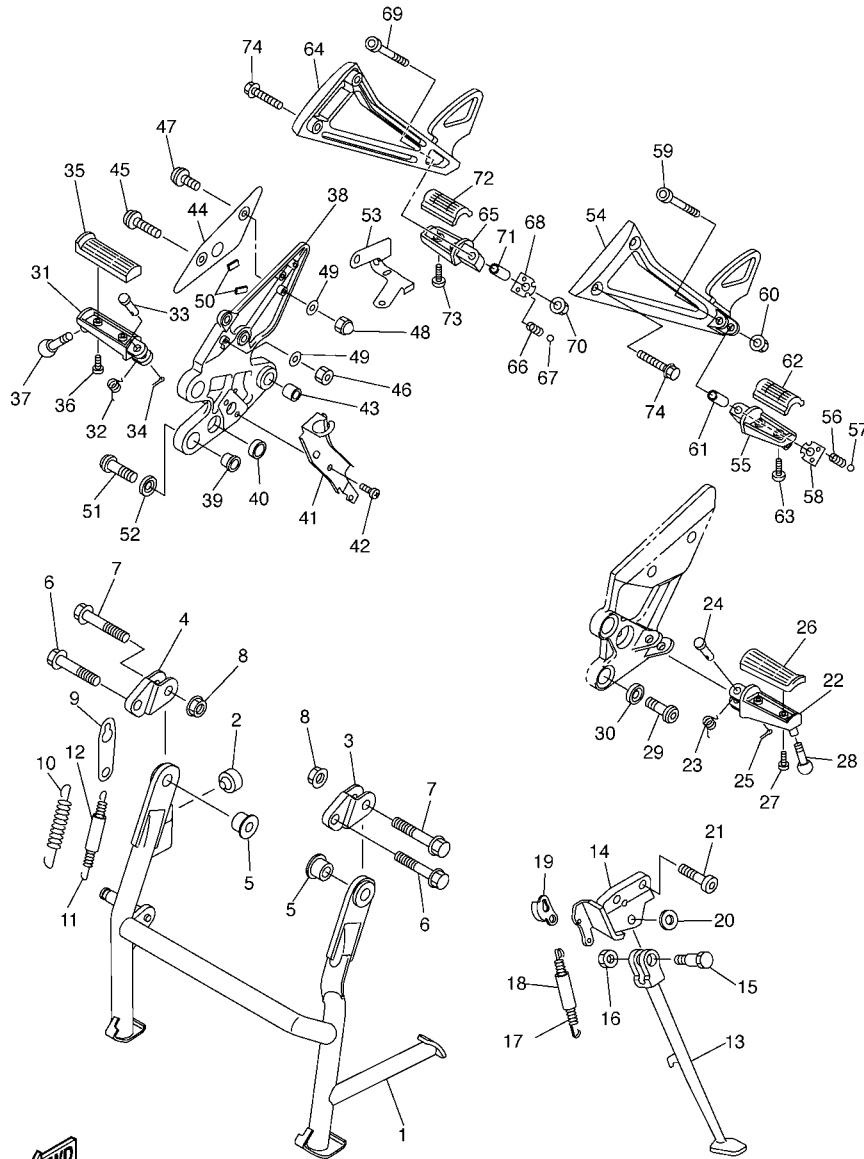


FIG. 34 FRONT MASTER CYLINDER

REF. NO.	PART NO.	DESCRIPTION	4S88	4S89	4S8A	REMARKS
1	5VS-W2587-00	MASTER CYLINDER SUB ASSY	1	1	1	
2	5VS-W0041-00	.CYLINDER KIT, MASTER	1	1	1	
3	5VS-25852-00	.CAP, RESERVOIR	1	1	1	
4	5VS-25855-00	.BUSH, DIAPHRAGM	1	1	1	
5	5VS-25854-00	.DIAPHRAGM, RESERVOIR	1	1	1	
6	5VS-2589H-00	.SCREW	2	2	2	
7	5VS-2589F-00	BOLT, LEVER	1	1	1	
8	95617-06100	NUT, U	1	1	1	
9	5VS-83922-00	LEVER 2	1	1	1	
10	5VS-26332-00	BOLT	2	2	2	
11	5VS-25867-00	BRACKET, MASTER CYLINDER	1	1	1	
12	4HM-83980-00	FRONT STOP SWITCH ASSY	1	1	1	
13	98502-04012	SCREW, PAN HEAD	1	1	1	
14	92902-04100	WASHER, SPRING	1	1	1	
15	92902-04600	WASHER, PLATE	1	1	1	
16	4S8-25872-00	HOSE, BRAKE 1	1	1	1	
17	4S8-25873-00	HOSE, BRAKE 2	1	1	1	
18	90401-10020	BOLT, UNION	2	2	2	
19	1UA-82591-00	BAND	1	1	1	
20	5SL-25876-00	HOLDER, BRAKE HOSE 2	1	1	1	
21	95807-06010	BOLT, FLANGE	1	1	1	
22	4S8-25875-00	HOLDER, BRAKE HOSE 1	1	1	1	
23	90464-18002	CLAMP	1	1	1	
24	90401-10038	BOLT, UNION	1	1	1	
25	90430-10005	GASKET	7	7	7	



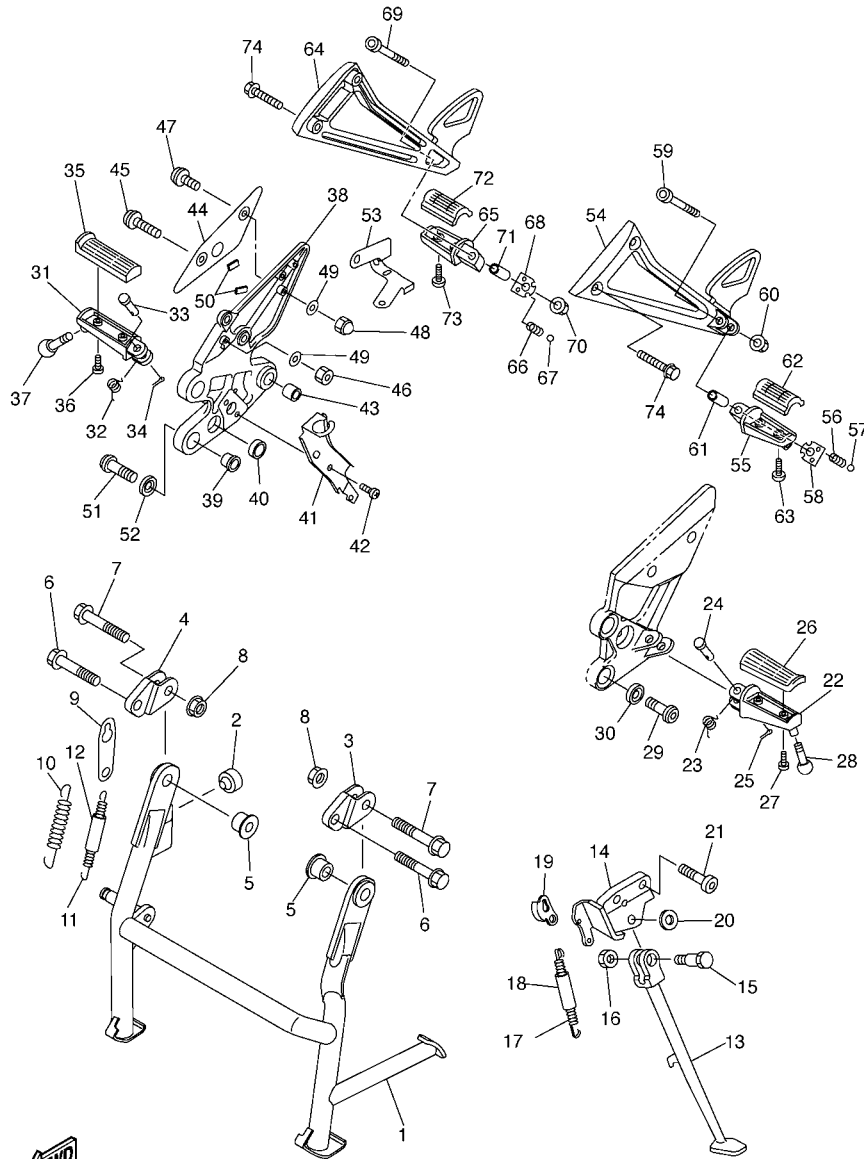
4S81300-F340



4S81300-F350

FIG. 35 STAND & FOOTREST

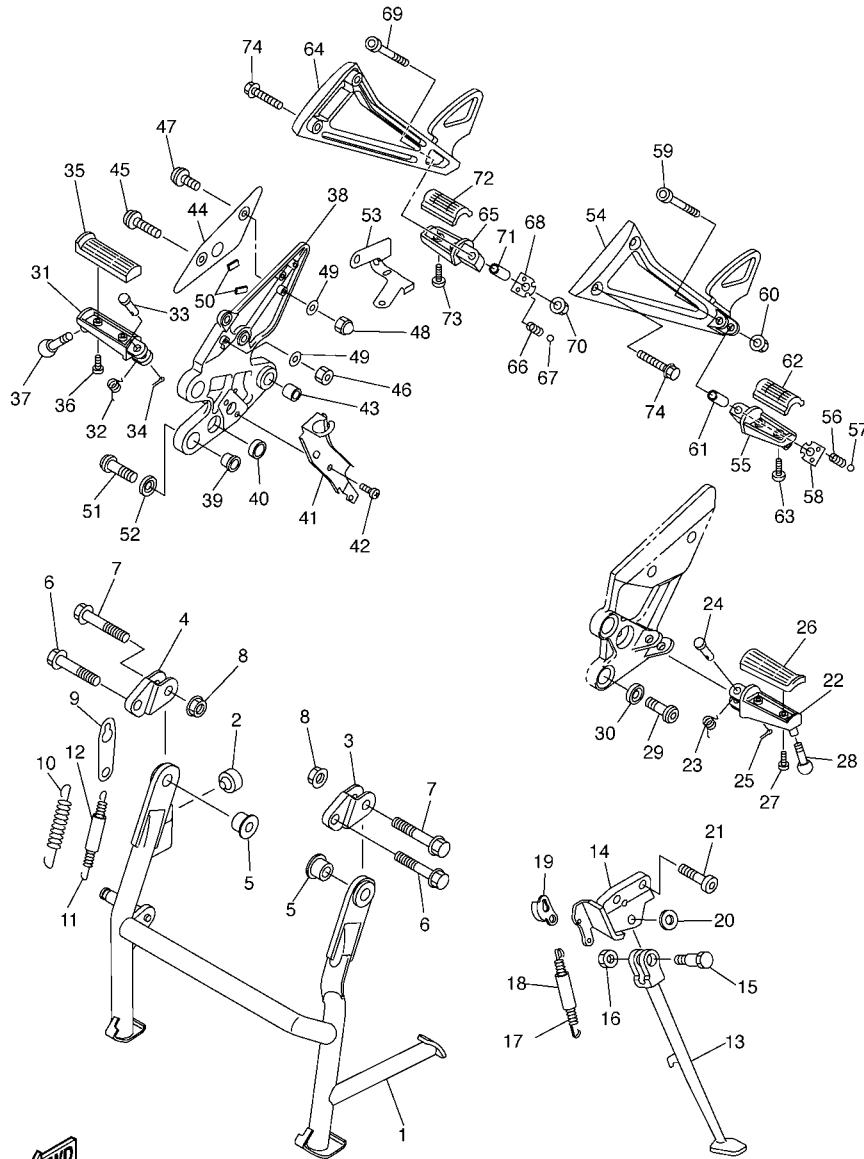
REF. NO.	PART NO.	DESCRIPTION	4S88	4S89	4S8A	REMARKS
1	5VX-27111-03	STAND, MAIN	1	1	1	
2	4GL-27114-00	STOPPER, MAIN STAND	1	1	1	
3	5VX-27151-02	BRACKET, MAIN STAND	1	1	1	
4	5VX-27152-02	BRACKET, MAIN STAND 2	1	1	1	
5	5VX-27113-00	COLLAR, MAIN STAND	2	2	2	
6	90105-10088	BOLT, FLANGE	2	2	2	
7	90105-10090	BOLT, FLANGE	2	2	2	
8	95707-10500	NUT, FLANGE	4	4	4	
9	5VX-27115-00	LINK, MAIN STAND	1	1	1	
10	90506-50001	SPRING, TENSION	1	1	1	
11	90506-26008	SPRING, TENSION	1	1	1	
12	90445-170K9	HOSE (L60)	1	1	1	
13	5VX-27311-01	STAND, SIDE	1	1	1	
14	5VX-27321-02	BRACKET, SIDE STAND	1	1	1	
15	90109-10011	BOLT	1	1	1	
16	90185-10037	NUT, SELF-LOCKING	1	1	1	
17	90506-23007	SPRING, TENSION	1	1	1	
18	5VX-27351-00	GUIDE, SIDE STAND	1	1	1	
19	5VX-27315-00	LINK, SIDE STAND	1	1	1	
20	90201-12021	WASHER, PLATE	1	1	1	
21	90110-10010	BOLT, HEXAGON SOCKET HEAD	2	2	2	
22	4BH-27451-01	FOOTREST	1	1	1	
23	90508-20572	SPRING, TORSION	1	1	1	
24	91701-08040	PIN	1	1	1	
25	91401-25015	PIN, COTTER	1	1	1	
26	3YX-27413-00	COVER, FOOTREST	1	1	1	
27	90157-05079	SCREW, PAN HEAD	2	2	2	



4S81300-F350

FIG. 35 STAND & FOOTREST

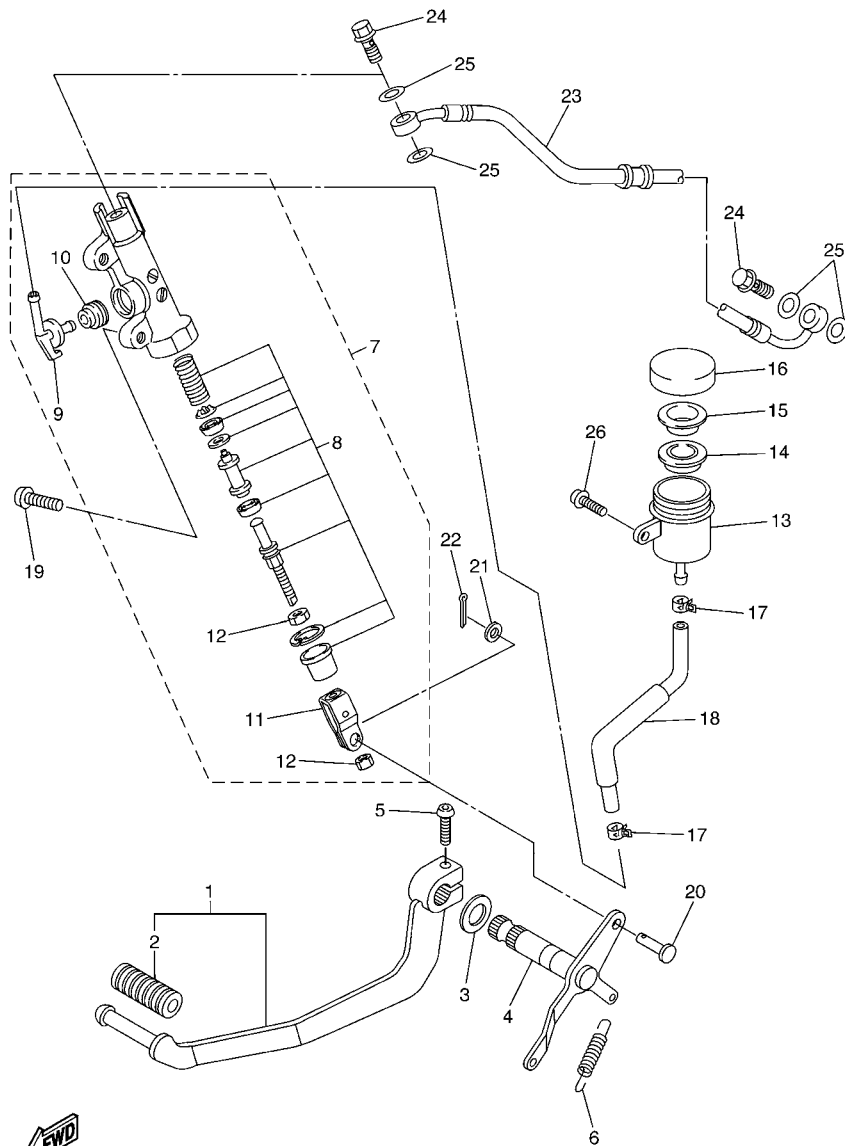
REF. NO.	PART NO.	DESCRIPTION	4S88	4S89	4S8A	REMARKS
28	90109-08174	BOLT	1	1	1	
29	90110-08220	BOLT, HEXAGON SOCKET HEAD	2	2	2	
30	90209-08295	WASHER	2	2	2	
31	4BH-27461-01	FOOTREST	1	1	1	
32	90508-20572	SPRING, TORSION	1	1	1	
33	91701-08040	PIN	1	1	1	
34	91401-25015	PIN, COTTER	1	1	1	
35	3YX-27413-00	COVER, FOOTREST	1	1	1	
36	90157-05079	SCREW, PAN HEAD	2	2	2	
37	90109-08174	BOLT	1	1	1	
38	5VX-27443-10	BRACKET 3	1	1	1	
39	5VX-27424-00	DAMPER, FOOTREST 2	2	2	2	
40	5VX-27114-00	STOPPER, MAIN STAND	1	1	1	
41	5VX-2144G-00	STAY, STOP SWITCH	1	1	1	
42	98507-06008	SCREW, PAN HEAD	2	2	2	
43	90383-14001	BUSH, FORMED	1	1	1	
44	4S8-27446-00	PLATE 2	1	1	1	
45	92014-05012	BOLT, BUTTON HEAD	1	1	1	
46	95607-05100	NUT, U	1	1	1	
47	92014-05014	BOLT, BUTTON HEAD	1	1	1	
48	90176-05001	NUT, CROWN	1	1	1	
49	92990-05200	WASHER, PLAIN	2	2	2	
50	4S8-27415-00	PLATE, FOOTREST	2	2	2	
51	90110-08220	BOLT, HEXAGON SOCKET HEAD	2	2	2	
52	90209-08295	WASHER	2	2	2	
53	5VX-2587A-00	HOLDER, BRAKE HOSE	1	1	1	
54	4S8-2741L-00	BRACKET 4	1	1	1	



4S81300-F350

FIG. 35 STAND & FOOTREST

REF. NO.	PART NO.	DESCRIPTION	4S88	4S89	4S8A	REMARKS
55	5LV-27431-01	FOOTREST, REAR 1	1	1	1	
56	90501-15001	SPRING, COMPRESSION	1	1	1	
57	93501-04011	BALL	1	1	1	
58	5JJ-27437-01	WASHER, SPECIAL	1	1	1	
59	91314-06040	BOLT	1	1	1	
60	95604-06200	NUT, U FLANGE	1	1	1	
61	90387-06014	COLLAR	1	1	1	
62	3YX-27413-00	COVER, FOOTREST	1	1	1	
63	90157-05134	SCREW, PAN HEAD	2	2	2	
64	4S8-2742L-00	BRACKET 5	1	1	1	
65	5LV-27441-01	FOOTREST, REAR 2	1	1	1	
66	90501-15001	SPRING, COMPRESSION	1	1	1	
67	93501-04011	BALL	1	1	1	
68	5JJ-27437-01	WASHER, SPECIAL	1	1	1	
69	91314-06040	BOLT	1	1	1	
70	95604-06200	NUT, U FLANGE	1	1	1	
71	90387-06014	COLLAR	1	1	1	
72	3YX-27413-00	COVER, FOOTREST	1	1	1	
73	90157-05134	SCREW, PAN HEAD	2	2	2	
74	90105-081A4	BOLT, FLANGE	4	4	4	



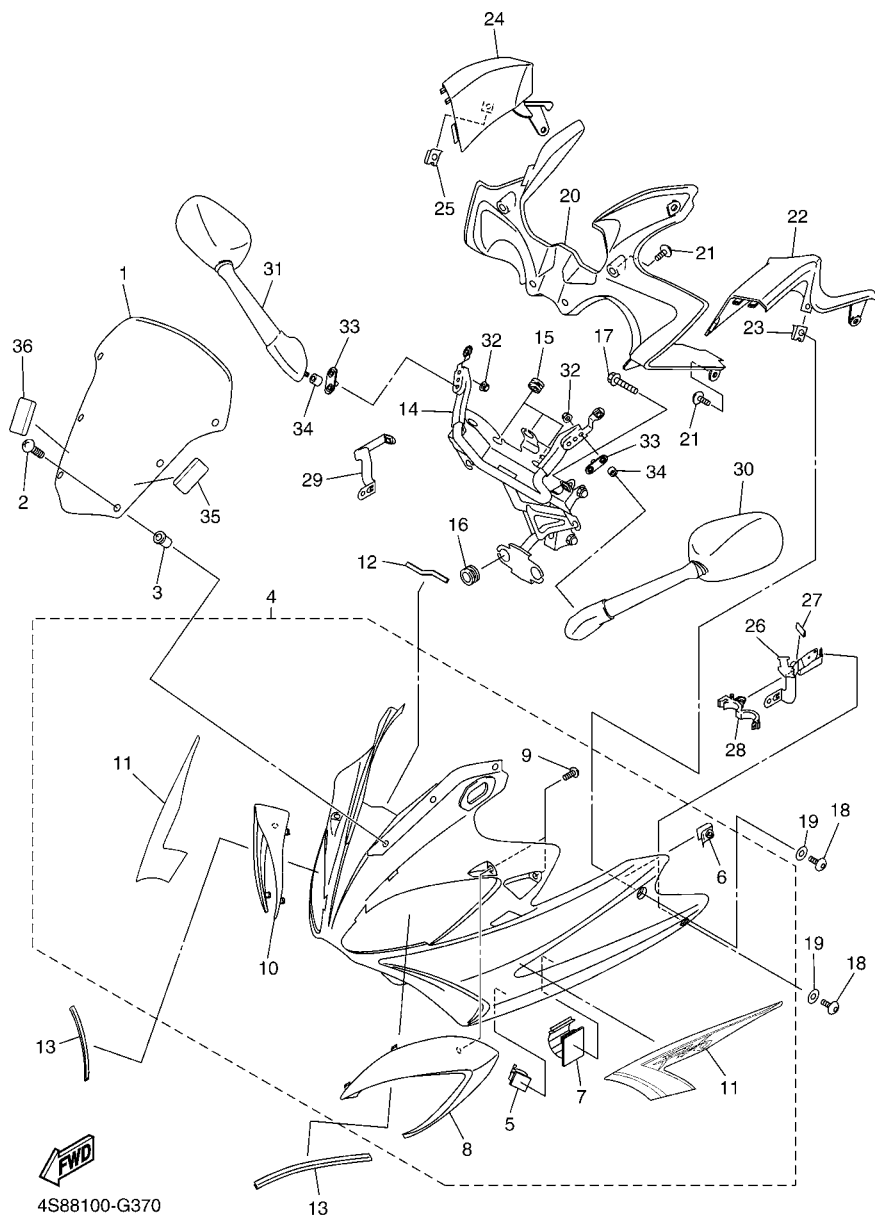
19B1280-G360

FIG. 36 REAR MASTER CYLINDER

REF. NO.	PART NO.	DESCRIPTION	4S88	4S89	4S8A	REMARKS
1	5VX-27200-00	PEDAL, BRAKE	1	1	1	
2	5EB-18113-00	.COVER, SHIFT PEDAL	1	1	1	
3	90201-14215	WASHER, PLATE	1	1	1	
4	5VX-27212-00	SHAFT, BRAKE PEDAL	1	1	1	
5	92014-06020	BOLT, BUTTON HEAD	1	1	1	
6	90506-20223	SPRING, TENSION	1	1	1	
7	2D1-2583V-00	RR. MASTER CYLINDER ASSY.	1	1	1	
8	5VX-W0042-50	.CYLINDER KIT, MASTER	1	1	1	
9	2D1-2582A-00	.JOINT	1	1	1	
10	4BP-2585F-00	.BUSH	1	1	1	
11	4BP-27222-01	.JOINT	1	1	1	
12	90170-08010	.NUT	2	2	2	
13	4P5-25894-00	TANK, RESERVOIR	1	1	1	
14	5SL-25854-00	DIAPHRAGM, RESERVOIR	1	1	1	
15	5SL-25855-00	BUSH,DIAPHRAGM	1	1	1	
16	5SL-25852-00	CAP, RESERVOIR	1	1	1	
17	90467-120A3	CLIP	2	2	2	
18	4S8-25895-00	HOSE, RESERVOIR	1	1	1	
19	92014-08020	BOLT, BUTTON HEAD	2	2	2	
20	90240-08124	PIN, CLEVIS	1	1	1	
21	90201-08083	WASHER, PLATE	1	1	1	
22	91401-20012	PIN, COTTER	1	1	1	
23	5VX-2581K-01	HOSE, BRAKE 5	1	1	1	
24	90401-10020	BOLT, UNION	2	2	2	
25	90430-10005	GASKET	4	4	4	
26	90119-06044	BOLT, WITH WASHER	1	1	1	

FIG. 37 COWLING 1

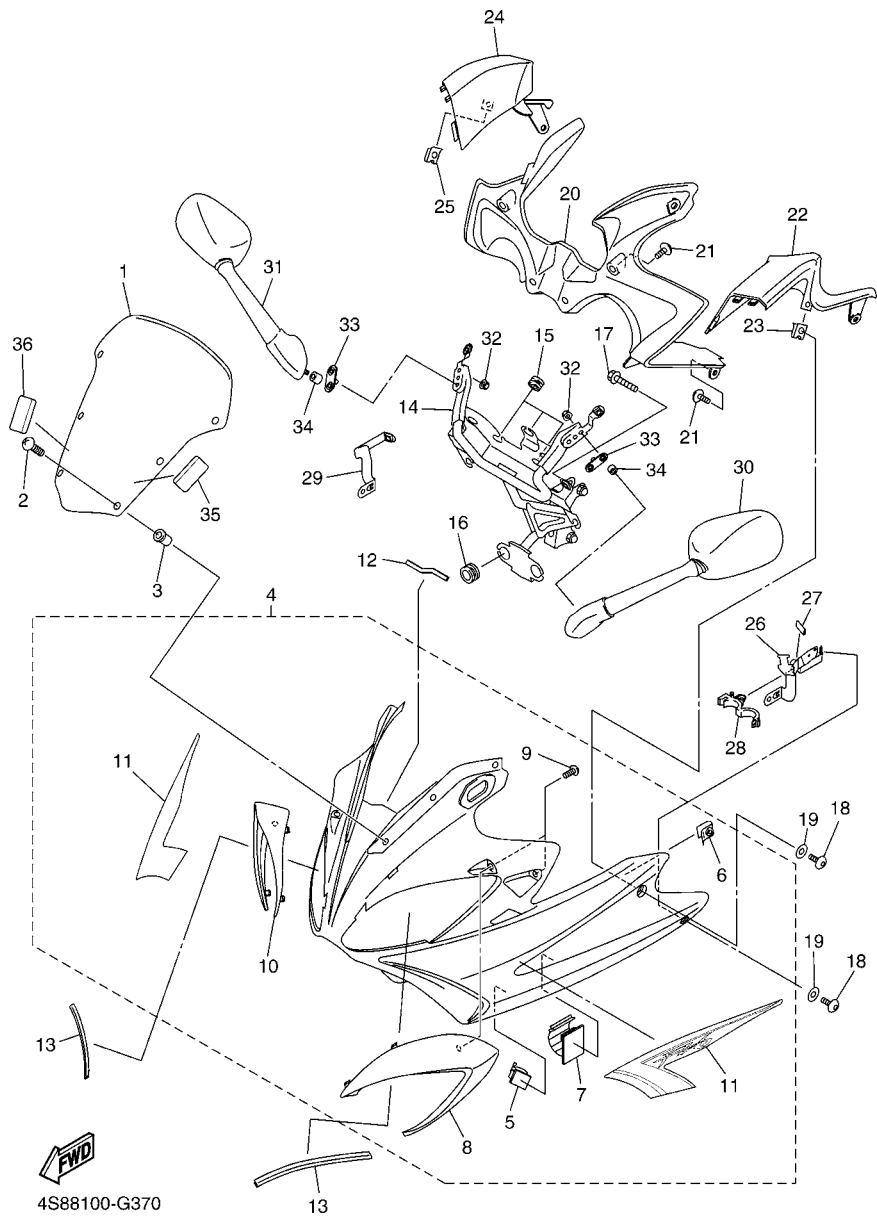
REF. NO.	PART NO.	DESCRIPTION	4S88	4S89	4S8A	REMARKS
1	4S8-28381-10	WINDSHIELD	1	1	1	
2	90150-05023	SCREW, ROUND HEAD	6	6	6	
3	90179-05523	NUT	6	6	6	
4	4S8-Y283G-J0-P0	BODY, FRONT UPPER 1	1	1	1	UR FOR SMX
	4S8-Y283G-K0-P4	BODY, FRONT UPPER 1	1	1	1	UR FOR DPBMU
5	90464-09009	.CLAMP	2	2	2	
6	90183-05076	.NUT, SPRING	2	2	2	
7	90464-20003	.CLAMP	1	1	1	
8	4S8-28345-00-P3	.MOLE 1	1	1	1	MBL2
9	97707-50016	.SCREW, TRUSS HEAD TAPPING	4	4	4	
10	4S8-28346-00-P3	.MOLE 2	1	1	1	MBL2
11	4S8-283B1-C0	.GRAPHIC SET	1	1	1	UR FOR SMX
	4S8-283B1-D0	.GRAPHIC SET	1	1	1	UR FOR DPBMU
12	4S8-28347-00	MOLE 3	1	1	1	
13	4S8-28376-00	TRIM	2	2	2	
14	4S8-28356-00	STAY 1	1	1	1	
15	3C3-83513-00	DAMPER	3	3	3	
16	90480-14229	GROMMET	4	4	4	
17	90119-08081	BOLT, WITH WASHER	2	2	2	
18	90110-06200	BOLT, HEXAGON SOCKET HEAD	4	4	4	
19	90202-06170	WASHER, PLATE	4	4	4	
20	4S8-2836K-00	PANEL, INNER 1	1	1	1	
21	90110-05201	BOLT, HEXAGON SOCKET HEAD	6	6	6	
22	4S8-2836L-00	PANEL, INNER 2	1	1	1	
23	90183-06053	NUT, SPRING	1	1	1	
24	4S8-2836M-00	PANEL, INNER 3	1	1	1	
25	90183-06053	NUT, SPRING	1	1	1	

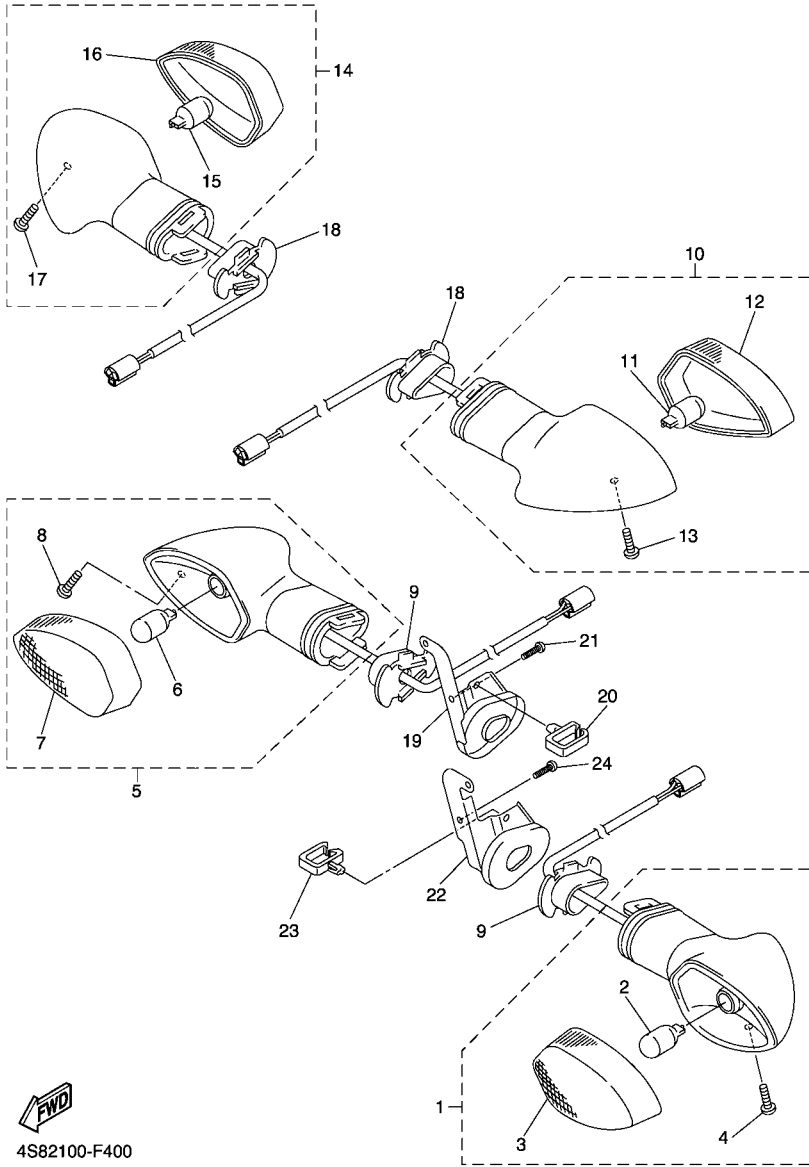


4S88100-G370

FIG. 37 COWLING 1

REF. NO.	PART NO.	DESCRIPTION	4S88	4S89	4S8A	REMARKS
26	4S8-2836F-00	BRACKET 3	1	1	1	
27	1FK-2171M-00	MOLE, SIDE COVER 2	1	1	1	
28	90464-16006	CLAMP	1	1	1	
29	4S8-2836E-00	BRACKET 2	1	1	1	
30	4S8-26280-00	REAR VIEW MIRROR ASSY (LEFT)	1	1	1	
31	4S8-26290-00	REAR VIEW MIRROR ASSY (RIGHT)	1	1	1	
32	95707-06500	NUT, FLANGE	4	4	4	
33	5VY-26298-00	PLATE, MIRROR FITTING 1	2	2	2	
34	90387-06372	COLLAR	4	4	4	
35	5JW-2835Y-00	LABEL, CAUTION	1	1	1	
36	5JW-2835Y-10	LABEL, CAUTION			1	



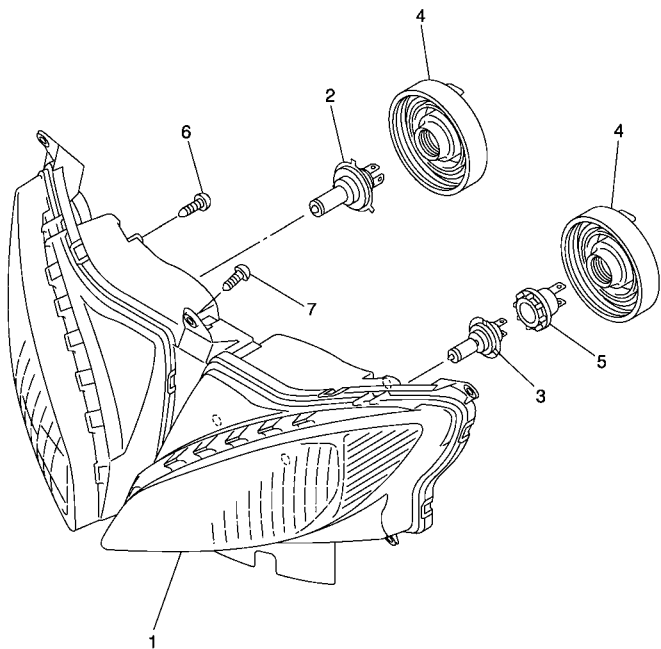
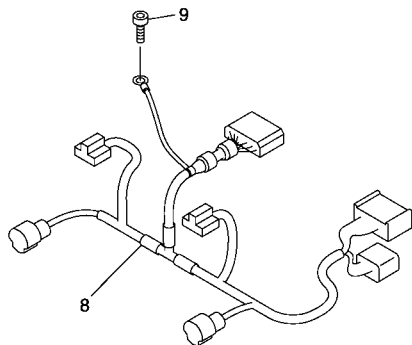


FWD
4S82100-F400

FIG. 40 FLASHER LIGHT

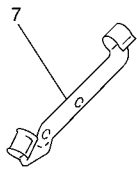
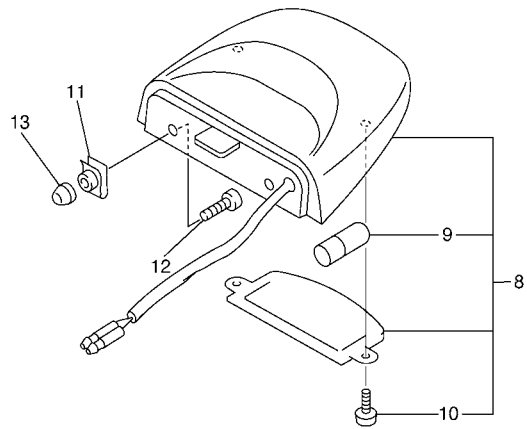
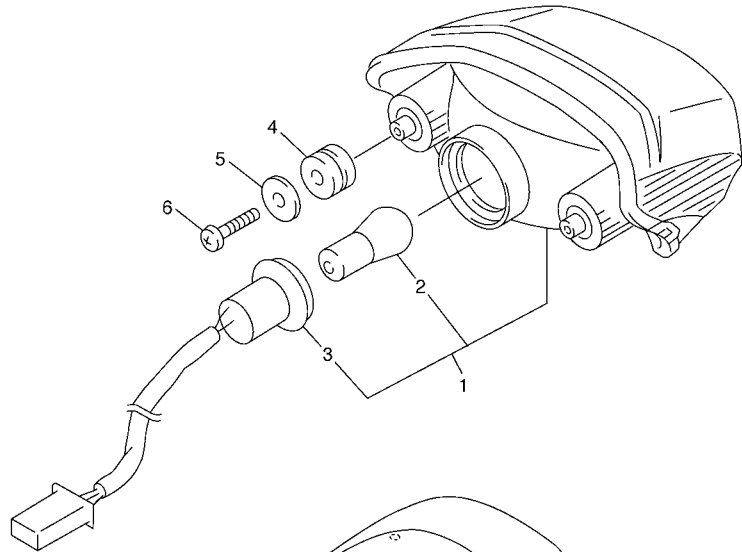
REF. NO.	PART NO.	DESCRIPTION	4S88	4S89	4S8A	REMARKS
1	5PW-83310-10	FRONT FLASHER LIGHT ASSY 1	1	1	1	
2	5GJ-83331-00	.BULB, FLASHER(12V-21/5W T20)	1	1	1	
3	5PW-8333A-10	.LENS COMP	1	1	1	
4	97706-04012	.SCREW, TAPPING	1	1	1	
5	5PW-83320-10	FRONT FLASHER LIGHT ASSY 2	1	1	1	
6	5GJ-83331-00	.BULB, FLASHER(12V-21/5W T20)	1	1	1	
7	5PW-8334A-10	.LENS COMP	1	1	1	
8	97706-04012	.SCREW, TAPPING	1	1	1	
9	5PW-83318-00	STAY, FLASHER 1	2	2	2	
10	5VX-83330-10	REAR FLASHER LIGHT ASSY 1	1	1	1	
11	5PW-83331-00	.BULB (12V-21/5W T20)	1	1	1	
12	5PW-8334A-10	.LENS COMP	1	1	1	
13	97706-04012	.SCREW, TAPPING	1	1	1	
14	5VX-83340-10	REAR FLASHER LIGHT ASSY 2	1	1	1	
15	5PW-83331-00	.BULB (12V-21/5W T20)	1	1	1	
16	5PW-8333A-10	.LENS COMP	1	1	1	
17	97706-04012	.SCREW, TAPPING	1	1	1	
18	5PW-83318-00	STAY, FLASHER 1	2	2	2	
19	4S8-2831U-00	STAY, SIDE 1	1	1	1	
20	90464-06005	CLAMP	1	1	1	
21	97707-50016	SCREW, TRUSS HEAD TAPPING	1	1	1	
22	4S8-2832U-00	STAY, SIDE 2	1	1	1	
23	90464-06005	CLAMP	1	1	1	
24	97707-50016	SCREW, TRUSS HEAD TAPPING	1	1	1	

FIG. 42 HEADLIGHT



REF. NO.	PART NO.	DESCRIPTION	4S88	4S89	4S8A	REMARKS
1	5VX-84310-20	HEADLIGHT UNIT ASSY	1	1	1	
2	8G9-84314-00	BULB (12V-60/55W)	1	1	1	(H4)HALOGEN
3	4SV-84314-00	BULB (12V-55W)	1	1	1	(H7)HALOGEN
4	5LV-84397-00	COVER, SOCKET	2	2	2	
5	4SV-84350-00	SOCKET CORD ASSY 2	1	1	1	
6	90164-05014	SCREW, TAPPING	4	4	4	
7	97707-50016	SCREW, TRUSS HEAD TAPPING	5	5	5	
8	4S8-84359-20	CORD, HEADLIGHT	1	1	1	
9	91380-05010	BOLT	1	1	1	

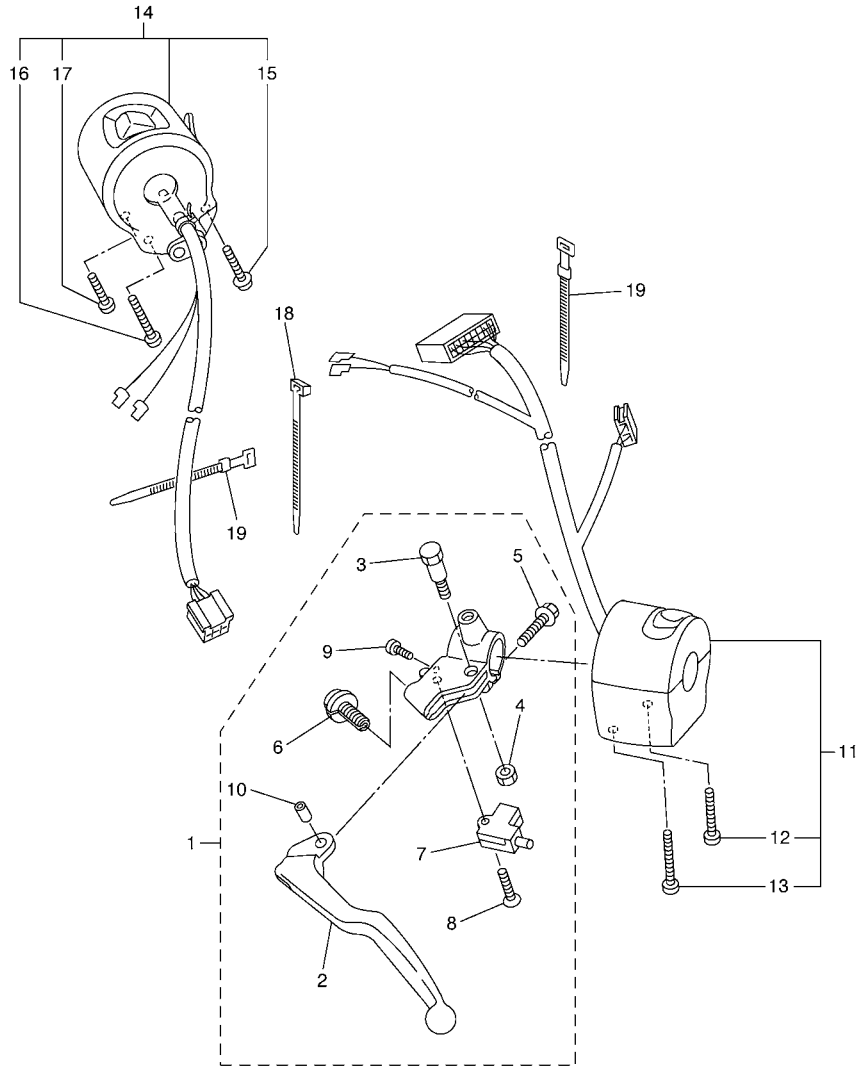
 4S82100-F420



5VX1351-C430

FIG. 43 TAILLIGHT

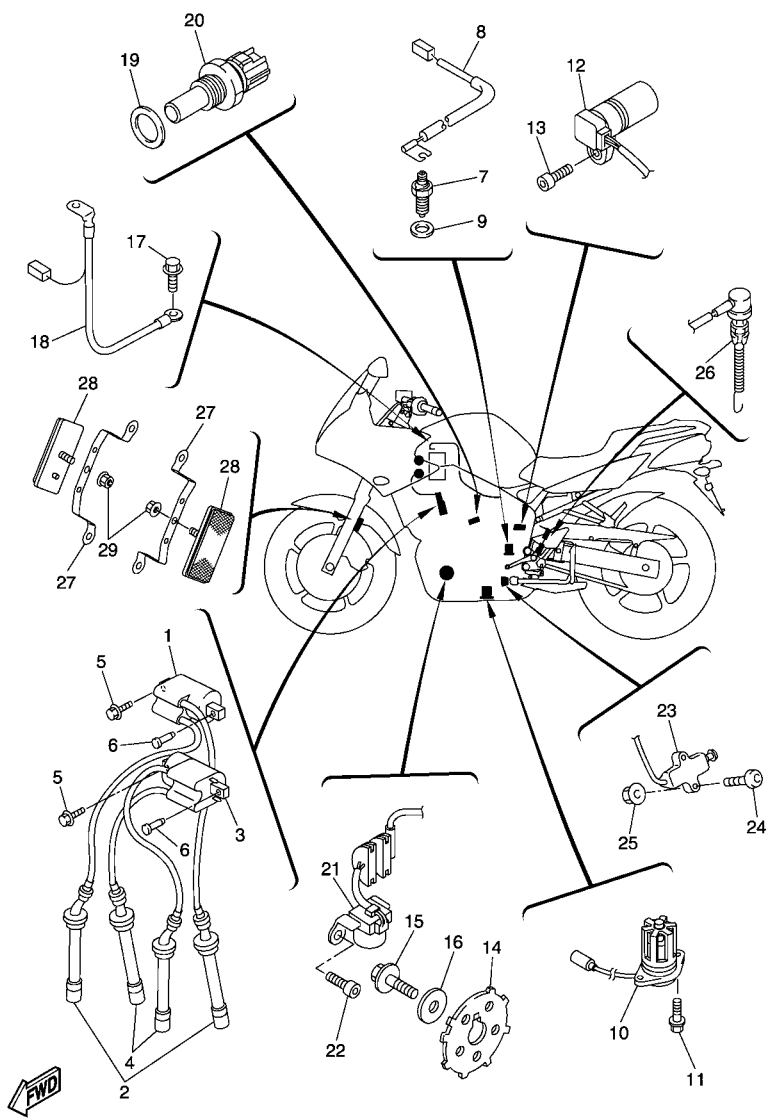
REF. NO.	PART NO.	DESCRIPTION	4S88	4S89	4S8A	REMARKS
1	5VX-84710-10	TAILLIGHT UNIT ASSY	1	1	1	
2	137-84714-60	.BULB (12V-21/5W)	1	1	1	
3	5VX-84735-00	.CORD ASSY	1	1	1	
4	90480-18276	GROMMET	2	2	2	
5	90201-06071	WASHER, PLATE	2	2	2	
6	97707-60016	SCREW, TAPPING	2	2	2	
7	5VX-21637-00	CLAMP, WIRE	1	1	1	
8	5VX-84745-01	LICENCE LIGHT UNIT ASSY	1	1	1	
9	4HC-84744-00	.BULB (12V-5W)	1	1	1	
10	97706-04012	.SCREW, TAPPING	2	2	2	
11	90183-05061	NUT, SPRING	2	2	2	
12	98907-05014	SCREW, BIND	2	2	2	
13	5VX-13569-01	PLUG, BLIND	2	2	2	



5VX3100-C440

FIG. 44 HANDLE SWITCH & LEVER

REF. NO.	PART NO.	DESCRIPTION	4S88	4S89	4S8A	REMARKS
1	5VX-82910-01	LEVER HOLDER ASSY (LEFT)	1	1	1	
2	5EB-83912-03	.LEVER 1	1	1	1	
3	4XV-83945-00	.BOLT, LEVER	1	1	1	
4	95607-06100	.NUT, U	1	1	1	
5	95027-06020	.BOLT, FLANGE	1	1	1	
6	5LV-83951-00	.BOLT, CABLE ADJUSTING	1	1	1	
7	3YX-82917-01	.SWITCH	1	1	1	
8	98704-03020	.SCREW, FLAT HEAD	1	1	1	
9	98507-04010	.SCREW, PAN HEAD	1	1	1	
10	5JJ-83913-00	.COLLAR, LEVER 1	1	1	1	
11	5VX-83972-01	SWITCH, HANDLE 4	1	1	1	
12	98507-05030	.SCREW, PAN HEAD	1	1	1	
13	98507-05045	.SCREW, PAN HEAD	1	1	1	
14	5VX-83975-01	SWITCH, HANDLE 2	1	1	1	
15	97607-05255	.SCREW, WITH WASHER	1	1	1	
16	98507-05045	.SCREW, PAN HEAD	1	1	1	
17	98507-05020	.SCREW, PAN HEAD	1	1	1	
18	1UA-82591-00	BAND	2	2	2	
19	437-83936-01	BAND, SWITCH CORD	2	2	2	

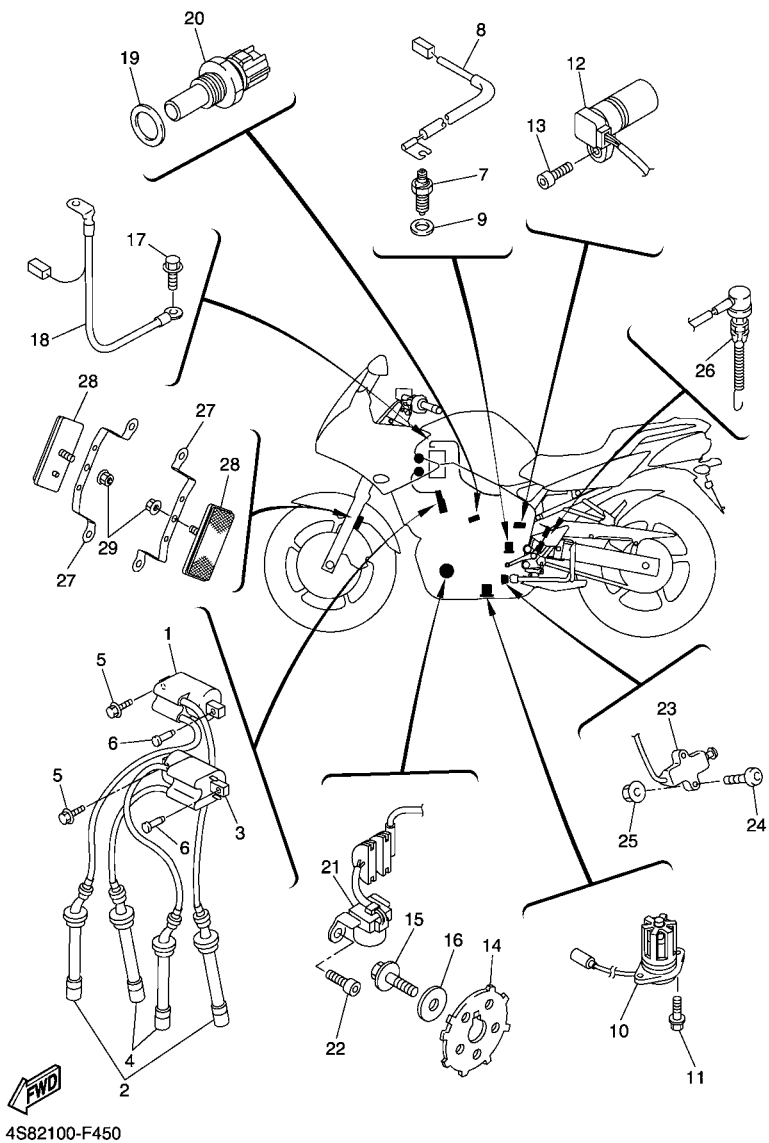


4S82100-F450

FIG. 45 ELECTRICAL 1

REF. NO.	PART NO.	DESCRIPTION	4S88	4S89	4S8A	REMARKS
1	5VX-82310-00	IGNITION COIL ASSY	1	1	1	
2	5VX-82370-00	PLUG CAP ASSY	2	2	2	
3	5VX-82320-00	IGNITION COIL ASSY	1	1	1	
4	5VX-82370-00	PLUG CAP ASSY	2	2	2	
5	90105-06557	BOLT, FLANGE	2	2	2	
6	90269-06010	RIVET	2	2	2	
7	3GB-82540-01	NEUTRAL SWITCH ASSY	1	1	1	
8	5VX-82541-00	WIRE, LEAD	1	1	1	
9	90430-10148	GASKET	1	1	1	
10	5VX-85720-01	OIL LEVEL GAUGE ASSY	1	1	1	
11	95022-06016	BOLT, FLANGE	2	2	2	
12	5EB-83755-01	SENSOR, SPEED	1	1	1	
13	91312-06016	BOLT	1	1	1	
14	5VX-81673-00	ROTOR	1	1	1	
15	90105-08113	BOLT, FLANGE	1	1	1	
16	90201-08753	WASHER, PLATE	1	1	1	
17	91380-06012	BOLT	1	1	1	
18	5VX-82116-00	WIRE, MINUS LEAD	1	1	1	
19	90201-12790	WASHER, PLATE	1	1	1	
20	8CC-85790-01	THERMOSENSOR ASSY	1	1	1	
21	5VX-81670-00	PICK-UP ASSY	1	1	1	
22	91317-06016	BOLT	2	2	2	
23	5VS-82566-61	SWITCH, SIDE STAND	1	1	1	
24	92017-05025	BOLT, BUTTON HEAD	2	2	2	
25	95607-05200	NUT, U FLANGE	2	2	2	
26	5VX-82530-00	STOP SWITCH ASSY	1	1	1	
27	4S8-85112-00	BRACKET, REFLECTOR 1	2	2	2	

FIG. 45 ELECTRICAL 1



REF. NO.	PART NO.	DESCRIPTION	4S88	4S89	4S8A	REMARKS
28	11H-85110-01	REFLECTOR ASSY	2	2	2	
29	95707-05500	NUT, FLANGE	2	2	2	

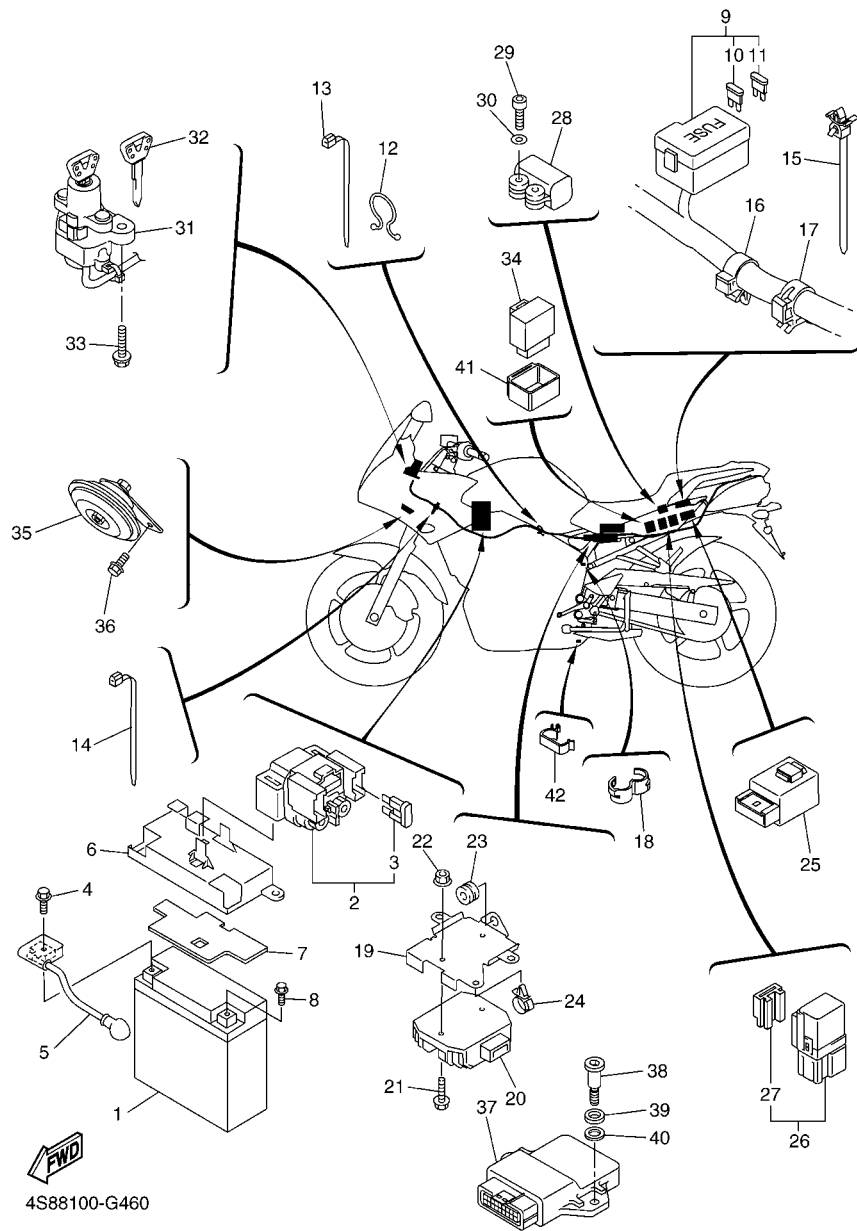
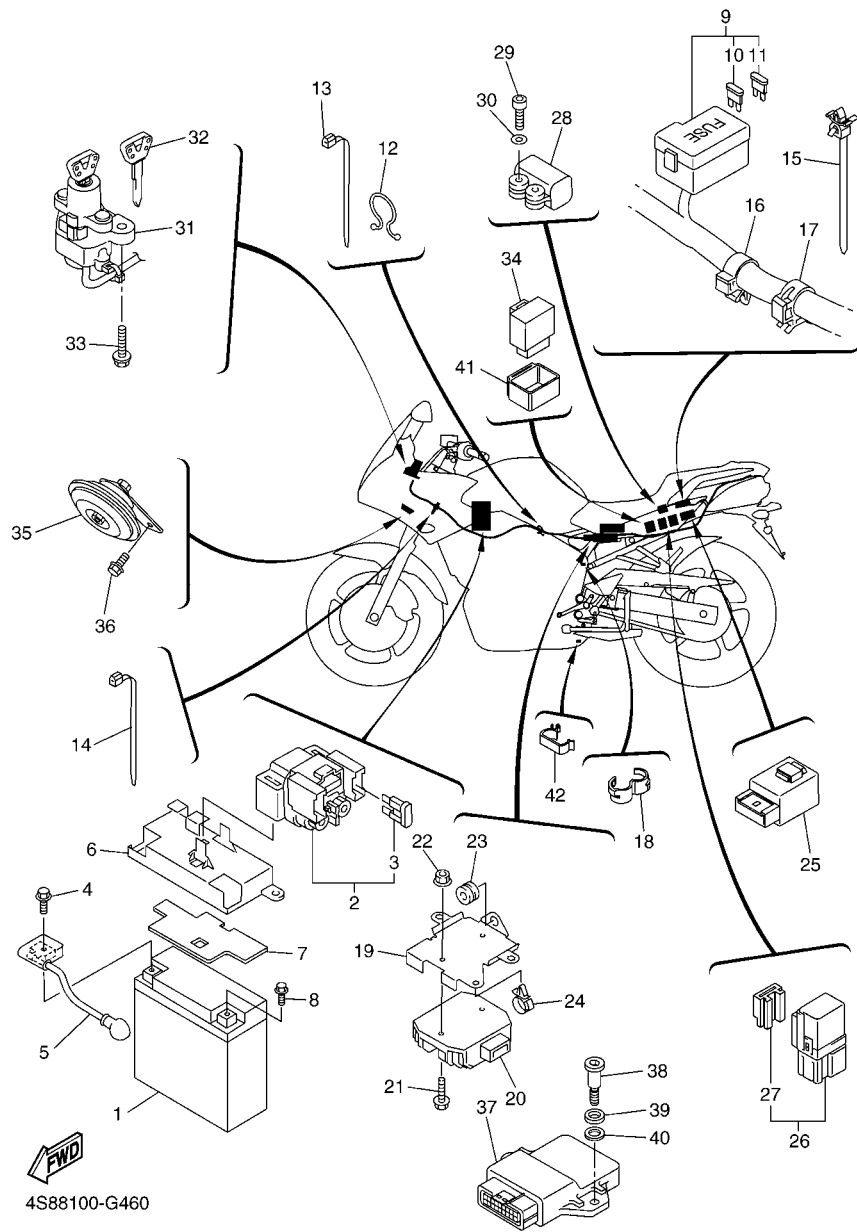


FIG. 46 ELECTRICAL 2

REF. NO.	PART NO.	DESCRIPTION	4S88	4S89	4S8A	REMARKS
1	4TX-82100-02	BATTERY ASSY (GS GT12B-4)	1	1	1	
2	4BH-81940-02	STARTER RELAY ASSY	1	1	1	
3	1AE-82151-00	.FUSE (30A-BL)	2	2	2	
4	95027-06008	BOLT, FLANGE	1	1	1	
5	5VX-82115-00	WIRE, PLUS LEAD	1	1	1	
6	5VX-2124E-00	COVER, BATTERY	1	1	1	
7	5VX-82123-00	SEAT, BATTERY	1	1	1	
8	95027-06008	BOLT, FLANGE	1	1	1	
9	4S8-82590-20	WIRE HARNESS ASSY	1	1	1	
10	5JJ-82151-30	.FUSE (10A-BL)	6	6	6	
11	5JJ-82151-20	.FUSE (20A-BL)	3	3	3	
12	90464-14058	CLAMP	1	1	1	
13	90464-13077	CLAMP	1	1	1	
14	90464-13077	CLAMP	1	1	1	
15	90464-12089	CLAMP	1	1	1	
16	90464-16006	CLAMP	2	2	2	
17	90464-15192	CLAMP	2	2	2	
18	90464-16001	CLAMP	1	1	1	
19	5VX-2128A-00	BRACKET, REGULATOR	1	1	1	
20	5VX-81960-00	RECTIFIER & REGULATOR ASSY	1	1	1	
21	95807-06020	BOLT, FLANGE	2	2	2	
22	95707-06500	NUT, FLANGE	2	2	2	
23	90480-11005	GROMMET	1	1	1	
24	90464-13249	CLAMP	1	1	1	
25	5VK-81950-30	RELAY ASSY	1	1	1	
26	5EA-81950-20	RELAY ASSY	2	2	2	
27	5EA-81952-00	.HOLDER, RELAY	1	1	1	



4S88100-G460

FIG. 46 ELECTRICAL 2

REF. NO.	PART NO.	DESCRIPTION	4S88	4S89	4S8A	REMARKS
28	5PS-82576-01	LEAN ANGLE SENSOR	1	1	1	
29	91317-04025	BOLT	2	2	2	
30	90201-047A2	WASHER, PLATE	2	2	2	
31	5VX-82501-11	MAIN SWITCH STEERING LOCK	1	1	1	
32	4BH-82511-09	BLANK KEY	1	1	1	AP
33	90109-080G5	BOLT	2	2	2	
34	4VR-83350-00	FLASHER RELAY ASSY	1	1	1	
35	5VX-83371-01	HORN	1	1	1	
36	95807-06010	BOLT, FLANGE	1	1	1	
37	4S8-8591A-10	ENGINE CONTROL UNIT ASSY	1	1		
	4S8-8591A-20	ENGINE CONTROL UNIT ASSY		1		
38	90109-06055	BOLT	2	2	2	
39	5VX-21778-00	DAMPER, LOCATING 1	2	2	2	
40	90202-08205	WASHER, PLATE	2	2	2	
41	4VR-8338V-00	DAMPER	1	1	1	
42	90464-24230	CLAMP	1	1	1	

NUMERICAL INDEX

PART NO.	GRID NO.	PART NO.	GRID NO.	PART NO.	GRID NO.	PART NO.	GRID NO.	PART NO.	GRID NO.	PART NO.	GRID NO.
1B3-11101-00	B - 2	1HX-12168-U1	B - 4	4NK-12579-00	B - 7	5VX-14421-00	B - 12	5SL-15461-01	C - 6	4XV-18531-00	C - 13
4KG-1111G-00	B - 2	1HX-12168-W1	B - 4	4S8-12579-00	B - 8	5CA-14435-00	B - 12	5SL-15462-00	C - 4	5EB-18536-00	C - 13
5EB-11133-10	B - 2	1HX-12168-Y1	B - 4	5VX-12581-00	B - 7	5VX-14451-00	B - 12	5VX-15463-01	C - 7	5VX-18540-00	C - 13
5SL-11165-00	C - 4	1HX-12169-11	B - 4	5SL-12588-01	B - 7	5VX-14452-00	B - 12	5VX-15484-00	F - 2	136-18542-00	C - 13
5VX-11181-00	B - 2	1HX-12169-31	B - 4	4S8-12589-00	B - 9	5VX-14453-00	B - 12	5SL-15512-00	C - 8	4S8-21110-09	D - 2
1B3-11191-00	B - 2	1HX-12169-50	B - 5	5EB-12822-00	B - 11	5VX-14463-00	B - 12	5MT-15515-00	C - 8	5VX-2117B-01	D - 3
5SL-11193-00	B - 2	1HX-12169-70	B - 5	5VX-13160-00	B - 14	5VX-14465-01	B - 14	5EB-15521-00	C - 8	5VX-2117B-11	D - 3
214-11198-01	B - 11	1HX-12169-90	B - 5	5EB-13161-00	B - 10	5VX-14466-01	D - 15	5SL-15590-00	C - 8	5PW-2117K-00	E - 2
5SL-11411-00	B - 3	1HX-12169-E0	B - 5	5EB-1316E-00	B - 10	5VX-14503-00	B - 14	5VX-16150-00	C - 9	5VX-2117M-01	D - 3
5EB-11416-00	B - 3	1HX-12169-G0	B - 5	5MT-13300-00	B - 10	5VX-14565-00	B - 13	5EB-16154-00	C - 9	5GK-2118K-00	D - 15
5EB-11416-10	B - 3	1HX-12169-J0	B - 5	5SL-13410-00	B - 10	4S8-14610-00	C - 2	1AE-16164-00	C - 9	5GK-2118K-10	D - 15
5EB-11416-20	B - 3	1HX-12169-L0	B - 5	5VX-13414-01	B - 11	3YF-14613-01	C - 2	4FN-16321-00	C - 9	4S8-21190-09	D - 2
5EB-11416-30	B - 3	1HX-12169-N0	B - 5	5EB-13415-00	B - 10	5VX-1467K-00	C - 2	4H7-16321-02	C - 9	4S8-2119V-00	D - 3
5EB-11416-A0	B - 3	1HX-12169-T0	B - 5	2C0-13416-00	B - 10	5VX-14708-10	C - 2	168-16324-00	C - 9	4P5-21228-00	D - 7
5SL-11603-00	B - 3	5VX-12170-00	B - 6	4S8-13417-00	B - 11	5VX-14710-01	C - 2	3J2-16324-00	C - 9	5VX-21238-00	D - 2
5SL-11631-00	B - 3	5VX-12176-00	B - 6	5VX-13418-00	C - 4	5VY-14714-00	C - 2	5VX-16340-00	C - 9	5VX-21239-00	D - 2
5EB-11633-00	B - 3	5VX-12180-00	B - 6	5GH-13440-20	B - 11	5EB-14714-01	C - 2	132-16346-00	C - 14	5VX-21249-00	D - 3
5VX-11650-00	B - 3	5SL-12210-10	B - 6	5EB-13470-00	B - 11	5JW-14723-00	B - 15	5EB-16351-01	C - 9	5VX-2124E-00	F - 11
5VX-11654-00	B - 3	4FM-12213-00	B - 6	5JW-13473-00	B - 11	4S8-14740-00	C - 2	5EB-16356-01	C - 9	5VX-21268-00	D - 2
5VX-11656-00	B - 3	5SL-12214-00	B - 6	5EB-13475-00	B - 11	4FB-14766-00	C - 3	5VX-16371-00	C - 9	5VX-21269-00	D - 3
5VX-11656-10	B - 3	5EL-12228-00	B - 6	3KS-13490-00	B - 11	5VX-14807-00	B - 14	5VX-16382-00	C - 9	5VX-21279-10	D - 2
5VX-11656-20	B - 3	5BE-12241-00	B - 2	5VX-13533-00	B - 14	5SL-1482K-00	B - 2	5SL-17121-00	C - 11	5VX-2128A-00	F - 11
5VX-11656-30	B - 3	5EB-12251-00	B - 6	68V-13533-00	B - 13	5VX-14840-00	B - 15	5SL-17131-20	C - 11	4R8-21308-01	D - 3
5SL-12111-10	B - 4	5VX-12252-10	B - 6	5VX-13569-01	F - 7	5VX-14881-00	B - 15	5VX-17151-00	C - 11	5VX-2135F-00	D - 3
5EB-12113-00	B - 4	4S8-12405-00	B - 8	5SL-13586-01	B - 12	5VX-14882-00	B - 15	5SL-17161-00	C - 11	5VX-2139B-00	D - 2
5EB-12114-00	B - 4	5VX-1240J-00	B - 8	5SL-13596-01	B - 12	5VX-14883-00	B - 15	5SL-17211-00	C - 12	5VX-2139R-00	D - 3
5SL-12116-00	B - 4	5SL-12410-00	B - 8	5VX-13750-04	B - 13	5SL-14890-00	B - 2	5VX-17221-00	C - 11	5VX-2139W-00	D - 3
5EB-12117-00	B - 4	5VX-12413-00	B - 8	5VX-13750-14	B - 13	5SL-14899-00	B - 2	5SL-17231-00	C - 12	5VX-2140A-00	D - 2
1HX-12118-00	B - 4	5EB-12421-00	B - 7	5VX-13761-00	B - 13	3UH-14937-00	B - 13	5SL-17241-00	C - 11	4S8-21445-00	C - 2
4TV-12119-00	B - 4	5SL-12422-00	B - 7	5EB-13898-00	B - 10	5VX-14987-00	B - 13	5VX-17251-00	C - 12	5VX-21446-10	C - 2
5SL-12121-10	B - 4	5FC-12437-00	B - 8	5VX-13907-01	D - 14	1B3-15100-01	C - 4	5VX-17261-00	C - 11	5VX-2144G-00	E - 11
5EB-12124-01	B - 4	11H-12438-10	B - 7	5VX-13971-00	D - 14	11H-15138-00	B - 2	5SL-17411-00	C - 11	4S8-21511-00-P0	D - 4
5EB-12126-00	B - 4	5EB-12439-00	B - 7	5JW-14104-00	B - 13	5EB-15155-00	C - 4	4S8-17421-00	C - 11	4S8-21511-00-P7	D - 4
5EB-12127-00	B - 4	5VX-1243A-00	B - 9	5VX-1410E-00	B - 13	5EB-15163-01	C - 11	278-17424-01	C - 12	5VX-2161G-00	D - 5
5EB-12153-09	B - 5	5VX-1243E-00	B - 14	4KM-14137-00	B - 13	36Y-15189-00	C - 4	5VX-17460-00	C - 12	5VX-21621-10	D - 5
5EB-12153-20	B - 5	4S8-1244E-00	B - 8	3H1-14147-00	B - 14	5SL-15189-00	C - 4	5VX-18101-11	C - 14	5VX-21629-00	D - 5
5EB-12153-30	B - 5	5VX-1244G-00	B - 9	5PS-14147-00	B - 13	3F9-15362-00	C - 6	5VX-18110-00	C - 14	5VX-21637-00	F - 7
1HX-12168-00	B - 4	5EB-12450-00	B - 7	5VX-14148-01	B - 12	5EB-15362-00	C - 4	5VX-18112-01	C - 14	5VX-21639-00	D - 4
1HX-12168-20	B - 4	4S8-12461-00	B - 8	5VX-14149-00	B - 13	5VX-15373-00	B - 12	5EB-18113-00	C - 14	5VX-2163A-00	D - 7
1HX-12168-40	B - 4	1B3-12462-00	B - 8	8CC-14216-10	B - 13	1B3-15411-00	C - 6		E - 13	5VX-2164F-00	D - 6
1HX-12168-60	B - 4	4S8-12467-00	B - 8	3XV-14251-00	B - 13	5VX-15413-01	C - 4	5VX-18115-02	C - 14	5VX-2164H-00	D - 5
1HX-12168-80	B - 4	5EB-12469-00	B - 7	5PW-14251-00	B - 13	1B3-15416-00	C - 6	5VX-18116-00	C - 14	5VX-2164J-00	D - 5
1HX-12168-A0	B - 4	5GV-1246A-00	B - 7	5VX-14348-00	B - 13	1B3-15418-00	C - 6	1D7-18127-00	C - 14	5VX-21650-00	D - 9
1HX-12168-F0	B - 4	5GV-1246E-00	B - 7	5FL-14348-10	B - 13	1B3-15421-00	C - 6	5VX-18140-00	C - 14	5VX-21651-00	D - 4
1HX-12168-H1	B - 4		B - 8	5VX-14349-00	B - 14	1B3-15425-00	C - 6	5VX-18154-00	C - 14	5VX-21665-00	D - 5
1HX-12168-K1	B - 4	1AA-12535-00	B - 8	5VX-14396-00	B - 13	5VX-15441-00	C - 7	5SL-18511-00	C - 13	3XW-21668-A1	D - 9
1HX-12168-M1	B - 4	5EB-12577-01	B - 7	5VX-14409-00	B - 12	5VX-15451-01	C - 6	5MT-18512-00	C - 13	3XW-21668-B1	D - 9
1HX-12168-R1	B - 4	4S8-12578-00	B - 8	5VX-14411-00	B - 12	5SL-15456-01	C - 6	5EB-18513-00	C - 13	5VX-21669-00	D - 4

NUMERICAL INDEX

PART NO.	GRID NO.	PART NO.	GRID NO.	PART NO.	GRID NO.	PART NO.	GRID NO.	PART NO.	GRID NO.	PART NO.	GRID NO.
5VX-21684-00	D - 6	5VX-23141-00	D - 12	4XV-25181-10	E - 3	5SL-25917-00	E - 7	5VX-27443-10	E - 11	3TJ-82131-00	D - 5
5SL-21686-00	D - 6	4S8-23142-00	D - 12	4XV-25317-00	E - 5	4SV-25919-00	E - 4	4S8-27445-00	C - 14	1AE-82151-00	F - 11
5VX-21710-A0-P2	D - 7	4TX-23144-00	D - 12	5SL-25338-00-98	E - 5	5SL-25919-00	E - 7	4S8-27446-00	E - 11	5JJ-82151-20	F - 11
5VX-21710-A0-P4	D - 7	5VX-23145-00	D - 12	5VX-25364-00	E - 5	5VX-25921-50	E - 7	4BH-27451-01	E - 10	5JJ-82151-30	F - 11
1FK-2171M-00	E - 15	4TX-23151-00	D - 12	5SL-25366-00	E - 5	4SV-25924-00	E - 4	4BH-27461-01	E - 11	5VX-82310-00	F - 9
5VX-21720-A0-P2	D - 7	4TX-23156-00	D - 12	5SL-25381-10	E - 6	8CR-25924-00	E - 7	5VX-28100-00	D - 5	5VX-82320-00	F - 9
5VX-21720-A0-P4	D - 7	5VX-23170-00	D - 12	5SL-25383-00	E - 5	3GM-25925-00	E - 4	31A-28217-00	D - 4	5VX-82370-00	F - 9
4P5-2172W-00	B - 9	4TX-23173-00	D - 12	5SL-25388-00	E - 5	5SL-25926-00	E - 7	4S8-2831U-00	F - 4	5VX-82380-00	B - 13
5VX-21732-00	D - 4	4TX-2331G-00	D - 12	5SL-25389-00	E - 5	5VX-26111-10	E - 8	4S8-2832U-00	F - 4	5VX-82386-00	B - 14
5VX-21735-01	D - 4	5VX-23340-00	D - 13	5MT-25398-00	E - 3	4YR-26240-02	E - 8	4S8-28345-00-P3	E - 14	5VX-82501-11	F - 12
5VX-2173M-00	D - 7	4P5-23377-00	D - 11		E - 5	4YR-26241-02	E - 8	4S8-28346-00-P3	E - 14	4BH-82511-09	F - 12
5VX-2173M-10	D - 7	5VX-23389-00	D - 11	5MT-25398-10	E - 3	51J-26246-01	E - 8	4S8-28347-00	E - 14	5VX-82530-00	F - 9
5VX-2173N-01	D - 5	5VX-23415-00	D - 11		E - 5	4S8-26280-00	E - 15	4S8-28356-00	E - 14	3GB-82540-01	F - 9
5VX-2174X-00	D - 7	26H-23418-01	D - 11	5MT-25398-20	E - 3	4S8-26290-00	E - 15	5JW-2835Y-00	E - 15	5VX-82541-00	F - 9
5VX-2174Y-00	D - 7	4XV-2341B-00	D - 11		E - 5	5VY-26298-00	E - 15	5JW-2835Y-10	E - 15	5VS-82566-61	F - 9
4S8-2175V-00	D - 7	5VX-23435-30	D - 11	5VX-25446-01	E - 5	5VX-26311-00	E - 8	4S8-2836E-00	E - 15	5PS-82576-01	F - 12
4S8-2176P-10	D - 9	4S8-23441-00	D - 11	4S8-2580T-00	E - 4	5VX-26312-00	E - 8	4S8-2836F-00	E - 15	4S8-82590-20	F - 11
5VX-21778-00	F - 12	3FV-23462-00	D - 13	4S8-2580U-00	E - 4	5VS-26332-00	E - 9	4S8-2836K-00	E - 14	1UA-82591-00	E - 9
5VX-21779-00	D - 7	5SL-2413B-00	D - 14	5VX-2580W-00	E - 7	5VX-26335-00	E - 8	4S8-2836L-00	E - 14		F - 8
5VX-2177F-00	D - 7	5VX-24141-00	D - 15	5VX-2581K-01	E - 13	5VX-27111-03	E - 10	4S8-2836M-00	E - 14	5VX-82910-01	F - 8
5VX-2177G-00	D - 2	5EJ-2414H-00	B - 12	5VX-2581T-01	E - 4	5VX-27113-00	E - 10	4S8-28376-00	E - 14	3YX-82917-01	F - 8
5VX-2178A-00	D - 6		D - 2	5SL-25827-00	E - 7	371-27114-00	E - 2	4S8-28381-10	E - 14	5PW-83310-10	F - 4
4S8-2179W-10	D - 9	5VX-24170-00	D - 15	5SL-25828-10	E - 7	4GL-27114-00	E - 10	4S8-283B1-C0	E - 14	5PW-83318-00	F - 4
26H-21828-00	B - 9	5RB-24180-00	D - 15	5SL-25828-00	E - 7	5VX-27114-00	C - 14	4S8-283B1-D0	E - 14	5PW-83320-10	F - 4
5VX-21843-00	D - 7	5VX-24181-00	D - 14	2D1-2582A-00	E - 13		E - 11	3JJ-28446-A1	D - 6	5VX-83330-10	F - 4
4P5-21871-00	B - 9	5VX-24183-00	D - 14	2D1-2582W-00	E - 7	5VX-27115-00	E - 10	3JJ-28446-B1	D - 6	5GJ-83331-00	F - 4
4P5-21873-00	B - 9	5VX-24191-00	D - 14	5SL-25838-00	E - 7	5VX-27151-02	E - 10	5VX-81410-00	F - 2	5PW-83331-00	F - 4
3P6-21875-00	B - 9	5PW-24192-00	D - 14	2D1-2583V-00	E - 13	5VX-27152-02	E - 10	5VX-81450-00	F - 2	5PW-8333A-10	F - 4
4S8-22110-00	D - 9	5VX-2419F-00	D - 15	5SL-25852-00	E - 13	5VX-27200-00	E - 13	5VX-81670-00	F - 9	5VX-83340-10	F - 4
5JJ-22128-00	D - 9	5VX-24314-01	D - 15	5VS-25852-00	E - 9	5VX-27212-00	E - 13	5VX-81673-00	F - 9	5PW-8334A-10	F - 4
4FN-22141-00	D - 9	68V-24376-00	B - 13	5SL-25854-00	E - 13	4BP-27222-01	E - 13	4WP-81801-00	F - 3	4VR-83350-00	F - 12
5VX-22151-00	D - 9	3YJ-24481-00	D - 2	5VS-25854-00	E - 9	5VX-27311-01	E - 10	5VX-81815-00	F - 3	5VX-83371-01	F - 12
5EB-22184-00	D - 9	5JW-24486-00	D - 14	5SL-25855-00	E - 13	5VX-27315-00	E - 10	4WP-81826-00	F - 3	4VR-8338V-00	F - 12
5VX-22210-10	D - 10	5SL-24491-00	D - 14	5VS-25855-00	E - 9	5VX-27321-02	E - 10	4XV-8182A-00	F - 3	4S8-83500-60	F - 5
5VX-22210-20	D - 10	5JJ-24602-00	D - 14	4BP-2585F-00	E - 13	5VX-27351-00	E - 10	4WP-81844-00	F - 3	4S8-83500-70	F - 5
34L-22216-00	D - 10	4S8-2470F-00	E - 2	5VS-25867-00	E - 9	3YX-27413-00	E - 10	1FK-81847-00	F - 3	3C3-83513-00	E - 14
5VX-22836-00	D - 7	5VX-24724-00	E - 2	4S8-25872-00	E - 9	4S8-27415-00	C - 15	5EB-81890-00	F - 3	5EB-83755-01	F - 9
4S8-23102-00	D - 12	4NK-24728-00	E - 2	4S8-25873-00	E - 9		E - 11	4BH-81940-02	F - 11	5EB-83912-03	F - 8
4S8-23103-00	D - 12	4S8-24730-00	E - 2	4S8-25875-00	E - 9	4S8-2741L-00	E - 11	5EA-81950-20	F - 11	5JJ-83913-00	F - 8
4S8-23110-00	D - 12	5VX-24773-00-P6	D - 4	5SL-25876-00	E - 9	4XV-27424-00	C - 2	5VK-81950-30	F - 11	5VS-83922-00	E - 9
4TX-23115-00	D - 12	5VX-24773-00-PA	D - 4	5VX-2587A-00	E - 11	5VX-27424-00	C - 14	5EA-81952-00	F - 11	437-83936-01	F - 8
5VX-23118-00	D - 12	4BP-24780-00	E - 2	4P5-25894-00	E - 13		E - 11	5VX-81960-00	F - 11	4XV-83945-00	F - 8
5VX-2311H-00	D - 12	5VX-2478E-00	E - 2	4S8-25895-00	E - 13	4S8-2742L-00	E - 12	4TX-82100-02	F - 11	5LV-83951-00	F - 8
4KM-23123-01	D - 13	4BP-24792-00	E - 2	5VS-2589F-00	E - 9	5LV-27431-01	E - 12	5VX-82115-00	F - 11	5VX-83972-01	F - 8
4TX-23125-B0	D - 12	3TB-24877-A0	D - 6	5VS-2589H-00	E - 9	4BP-27434-01	C - 14	5VX-82116-00	F - 9	5VX-83975-01	F - 8
4S8-23126-00	D - 12	3TB-24877-B0	D - 6	5SL-25914-00	E - 7	5JJ-27437-01	E - 12	4HM-82122-00	D - 2	4HM-83980-00	E - 9
4TX-23135-B0	D - 12	4XV-25117-00	E - 3	5DH-25916-00	E - 7	5LV-27441-01	E - 12	5VX-82123-00	F - 11	5VX-84310-20	F - 6
4S8-23136-00	D - 12	5SL-25168-00-98	E - 3	3JD-25917-00	E - 7	5VX-27442-10	C - 14	122-82131-00	D - 5	4SV-84314-00	F - 6

NUMERICAL INDEX

PART NO.	GRID NO.	PART NO.	GRID NO.	PART NO.	GRID NO.	PART NO.	GRID NO.	PART NO.	GRID NO.	PART NO.	GRID NO.
8G9-84314-00	F - 6	90105-08021	C - 2	90119-08081	E - 14	90201-08753	F - 9	90387-06075	D - 5	90450-22017	B - 7
4SV-84350-00	F - 6	90105-08063	C - 2	90119-10003	B - 2	90201-08784	C - 14	90387-06078	D - 3		B - 9
4S8-84359-20	F - 6	90105-08113	F - 9	90149-06019	F - 2	90201-087K3	C - 4	90387-06107	D - 4	90450-32001	B - 7
5LV-84397-00	F - 6	90105-081A4	E - 12	90149-06082	C - 4	90201-10020	D - 2		D - 7		B - 9
5VX-84710-10	F - 7	90105-086A9	C - 4	90149-06250	F - 2	90201-10021	E - 5		D - 9	90450-32003	B - 8
137-84714-60	F - 7	90105-087A0	C - 4	90149-06308	E - 2	90201-10119	C - 9	90387-0614M	B - 8	90450-35001	B - 7
5VX-84735-00	F - 7	90105-10032	D - 2	90149-08003	F - 2	90201-101J1	D - 10	90387-061N6	C - 2		B - 8
4HC-84744-00	F - 7	90105-10088	E - 10	90149-10006	D - 2	90201-12008	F - 2	90387-061W6	D - 14	90450-38040	B - 7
5VX-84745-01	F - 7	90105-10090	E - 10	90149-10012	D - 2	90201-12013	C - 14	90387-062L2	D - 15	90450-53002	B - 12
5MT-84751-00	D - 5	90105-10323	D - 10	90150-04041	E - 5	90201-12021	E - 10	90387-06372	C - 15	90450-63003	B - 12
11H-85110-01	F - 10	90105-10638	E - 4	90150-05023	E - 14	90201-12790	F - 9		D - 9	90464-06005	F - 4
4S8-85112-00	F - 9	90105-10N53	D - 2	90151-06008	C - 11	90201-14215	E - 13		E - 15	90464-07012	B - 9
3Y6-85130-02	D - 5	90105-126A8	F - 2	90151-06018	D - 3	90201-15013	C - 10	90387-065J6	D - 4	90464-09009	E - 14
5VX-85720-01	F - 9	90109-06031	B - 10	90154-06061	D - 4	90201-154E8	C - 14	90387-066H4	B - 8	90464-12089	F - 11
8CC-85790-01	F - 9		D - 4	90157-05079	E - 10	90201-177G4	C - 14	90387-082W9	C - 2	90464-12238	B - 9
2D1-85885-00	B - 13	90109-06055	F - 12	90157-05134	E - 12	90201-18020	D - 9	90387-09003	D - 4	90464-13077	F - 11
5CA-85886-00	B - 12	90109-06060	D - 2	90159-06002	C - 9	90201-20023	C - 12	90387-1012B	D - 10	90464-13249	F - 11
4S8-8591A-10	F - 12	90109-06168	C - 4	90164-05014	F - 5	90201-20278	C - 12	90387-127V3	C - 14	90464-14001	D - 7
4S8-8591A-20	F - 12	90109-064G6	E - 4		F - 6	90201-22070	D - 11	90387-22002	E - 3	90464-14002	D - 4
2D1-8592A-00	C - 2	90109-066F0	B - 2	90170-06228	C - 14	90201-25020	E - 5	90387-2202V	C - 12	90464-14058	F - 11
5VX-88158-00	D - 4	90109-067F4	D - 3	90170-08010	E - 13	90201-255A6	C - 9	90387-25010	C - 9	90464-15157	D - 3
5VS-W0041-00	E - 9	90109-08045	E - 7	90170-20008	C - 9	90202-06170	E - 14	90387-2504A	C - 11	90464-15192	F - 11
5VX-W0042-50	E - 13	90109-080G5	F - 12	90176-05001	E - 11	90202-08205	F - 12	90387-2513E	C - 11	90464-16001	F - 11
5VN-W0045-00	E - 4	90109-08174	E - 11	90176-22081	D - 11	90202-24190	D - 11	90387-253M6	C - 11	90464-16005	D - 14
5VX-W0046-00	E - 7	90109-10011	E - 10	90179-05523	E - 14	90202-26142	D - 11	90387-28001	E - 5	90464-16006	E - 15
5SL-W0047-00	E - 7	90109-10654	D - 10	90179-06403	D - 4	90206-12074	C - 14	90387-2813C	C - 11		F - 11
3GM-W0047-10	E - 4	90110-05014	D - 14	90179-08410	C - 2	90209-08295	E - 11	90387-2813D	C - 11	90464-16061	E - 2
3MA-W0047-10	E - 4	90110-05112	D - 14	90179-20011	C - 12	90209-21332	C - 11	90401-10020	E - 9	90464-18002	D - 4
1J3-W0048-00	E - 4	90110-05201	E - 14	90179-25033	D - 11	90209-21351	C - 11		E - 13		E - 9
1UY-W0048-00	E - 7	90110-06018	C - 13	90183-05061	D - 4	90209-22352	C - 11	90401-10038	E - 9	90464-18029	D - 5
4SV-W0057-00	E - 4	90110-06022	C - 6		F - 7	90209-25342	C - 11	90401-20145	B - 11	90464-20003	E - 14
5SL-W0057-00	E - 7	90110-06079	D - 14	90183-05076	E - 14	90209-25349	C - 11	90413-08012	B - 14	90464-20181	D - 7
4SV-W0057-10	E - 4	90110-06086	B - 7	90183-06053	D - 2	90209-25350	C - 11	90430-06014	B - 7	90464-23041	B - 14
2TV-W2470-00	E - 2	90110-06161	B - 10		E - 14	90215-20004	C - 9	90430-08119	B - 2	90464-24230	F - 12
5VS-W2587-00	E - 9		C - 4	90183-060A1	D - 2	90240-08124	E - 13	90430-08143	C - 6	90465-08045	C - 6
4S8-Y283G-J0-P0	E - 14	90110-06169	B - 11	90185-10002	D - 2	90269-06010	F - 9	90430-09002	B - 13	90465-10030	B - 11
4S8-Y283G-K0-P4	E - 14	90110-06200	E - 14	90185-10009	E - 5	90269-08001	D - 9	90430-10005	E - 9	90465-10042	C - 6
5VX-YK241-30-P3	D - 14	90110-08220	E - 11	90185-10037	E - 10	90269-08068	D - 3		E - 13	90465-13152	D - 4
5VX-YK241-30-PD	D - 14	90110-10010	E - 10	90185-18167	D - 9	90338-06018	E - 2	90430-10148	F - 9	90465-14011	C - 6
90101-08013	E - 6	90110-10N52	D - 12	90185-24007	E - 5	90338-08174	B - 12	90430-10171	D - 12	90467-08075	B - 9
90105-06027	B - 2	90111-06019	C - 15	90201-047A2	F - 12	90338-21145	D - 2	90445-08025	B - 9	90467-10008	B - 14
90105-06053	B - 7	90111-06031	B - 8	90201-05725	D - 5	90340-14132	B - 11	90445-081F2	B - 9		D - 14
90105-060A6	B - 9	90116-10485	E - 5	90201-06055	D - 3	90340-20090	B - 2	90445-10032	D - 14	90467-10041	B - 12
90105-06147	C - 4	90119-06038	B - 8	90201-06057	D - 5	90340-32004	C - 6	90445-10033	D - 14	90467-11090	B - 9
90105-06557	B - 8	90119-06044	E - 13	90201-06071	F - 7	90383-14001	E - 11	90445-11418	D - 15		B - 14
	D - 2	90119-06062	D - 14	90201-08034	C - 2	90387-06014	E - 12	90445-11732	D - 15	90467-120A3	E - 13
	F - 9	90119-06096	D - 9	90201-08083	E - 13	90387-06068	D - 14	90445-11795	B - 12	90467-14015	B - 12
90105-07004	B - 6	90119-06117	D - 9	90201-082U5	C - 2	90387-06073	B - 12	90445-170K9	E - 10	90467-15054	B - 12

NUMERICAL INDEX

PART NO.	GRID NO.	PART NO.	GRID NO.	PART NO.	GRID NO.	PART NO.	GRID NO.	PART NO.	GRID NO.	PART NO.	GRID NO.
90467-17003	B - 15	91317-06020	B - 12	93210-27194	C - 6	95027-08012	B - 2	97007-06016	D - 11		
90467-17089	B - 12	91317-08030	C - 2	93210-32172	C - 6	95302-08600	E - 6	97007-06025	D - 9		
	B - 15	91380-05010	F - 6	93210-33133	B - 7	95304-06700	C - 14	97307-06012	B - 8		
90467-17128	B - 15	91380-06012	F - 9	93210-34504	D - 12	95602-06200	E - 2	97607-05255	F - 8		
90467-200A0	B - 9	91401-20012	E - 13	93210-46001	B - 7	95604-06200	E - 12	97706-04012	F - 4		
90480-01558	D - 7	91401-25015	E - 10	93306-00106	B - 7	95607-04100	D - 5		F - 7		
90480-10332	C - 2	91701-08040	E - 10	93306-00304	C - 9	95607-05100	C - 15	97707-40012	D - 5		
90480-11005	F - 11	91808-17032	B - 10	93306-00420	E - 3		D - 5	97707-50012	D - 4		
90480-12006	C - 2	92014-05012	C - 15	93306-20464	C - 11		E - 11	97707-50016	E - 14		
90480-12072	D - 4		E - 11	93306-20531	E - 5	95607-05200	F - 9		F - 4		
90480-12237	D - 3	92014-05014	E - 11	93306-30525	C - 11	95607-06100	D - 5		F - 6		
90480-12314	B - 12	92014-06020	E - 13	93306-30546	C - 11		F - 8	97707-50025	B - 12		
90480-13163	D - 7	92014-08014	C - 6	93310-340N8	C - 9	95607-10100	D - 10	97707-60016	F - 7		
	D - 15	92014-08020	E - 13	93315-31502	C - 9	95607-10200	D - 2	98502-04012	E - 9		
90480-13398	D - 4	92014-08045	C - 2	93315-31758	D - 10		D - 10	98507-04010	F - 8		
90480-14229	E - 14	92017-05025	F - 9	93315-42523	D - 9	95617-06100	E - 9	98507-05010	B - 13		
90480-15005	D - 14	92017-06012	D - 5	93317-11096	C - 9	95617-08625	B - 2	98507-05016	B - 13		
90480-15363	B - 8		D - 7	93317-11295	C - 15	95707-05500	D - 5	98507-05020	F - 8		
90480-18276	F - 7	92017-06014	D - 7	93317-43580	E - 5		F - 10	98507-05030	F - 8		
90501-064L1	C - 13	92017-06016	D - 6	93399-99931	D - 11	95707-06500	E - 2	98507-05045	F - 8		
90501-15001	E - 12	92017-06020	D - 3	93399-99932	D - 13		E - 15	98507-06008	E - 11		
90501-225A9	C - 9	92902-04100	E - 9	93420-61M07	E - 5		F - 11	98507-06012	B - 13		
90506-14003	C - 14	92902-04600	E - 9	93440-10153	B - 2	95707-10500	E - 10		C - 6		
90506-20223	E - 13	92904-05600	B - 8	93440-25186	C - 11	95807-06010	E - 9	98704-03020	F - 8		
90506-23007	E - 10	92907-05100	B - 13	93440-28062	C - 11		F - 12	98902-06020	C - 3		
90506-26008	E - 10	92907-05600	B - 13	93450-17129	B - 3	95807-06012	D - 11	98907-05008	D - 14		
90506-50001	E - 10	92907-06100	B - 8	93501-04011	E - 12	95807-06016	D - 7	98907-05012	D - 4		
90508-18016	C - 10	92907-06600	B - 8	93607-44002	B - 6		D - 15	98907-05014	F - 7		
90508-20572	E - 10		D - 9	93608-17263	C - 6	95807-06020	F - 11	98907-06012	D - 4		
90508-295B2	C - 14		D - 11	93900-00030	E - 3	95807-06025	D - 2	99001-07600	C - 9		
90560-06201	D - 7	92907-08600	C - 9		E - 5	95812-06045	C - 4	99009-10400	C - 9		
91312-06016	F - 9	92990-05200	C - 15	94112-17066	E - 3	95812-06055	C - 4	99009-12400	B - 7		
91312-06025	B - 11		E - 11	94112-17067	E - 3	95812-06065	C - 4	99009-17400	C - 14		
91312-10025	D - 13	93101-12173	B - 7	94118-17041	E - 5	95812-06100	C - 4	99530-08012	C - 6		
91314-06020	C - 6	93102-12106	C - 15	94118-17053	E - 5	95812-08014	C - 2	99530-10014	C - 4		
91314-06025	B - 6	93102-15212	C - 9	94580-25080	B - 10	95812-08035	C - 2	99530-10114	B - 2		
	C - 4	93102-35423	C - 12	94582-11118	E - 5	95812-08065	C - 4				
	C - 6	93106-28043	E - 3	94591-49120	B - 6	95814-08045	C - 2				
91314-06030	C - 6	93106-40013	E - 5	94701-00403	B - 2	95824-06012	B - 9				
91314-06040	E - 12	93109-17071	D - 10	95022-06016	F - 9	95824-06020	C - 14				
91314-06060	B - 2	93210-04092	C - 4	95024-06020	B - 7	95824-06030	B - 8				
91314-08030	D - 11	93210-06667	B - 10	95024-08035	D - 11	95827-06010	D - 7				
91314-08045	D - 13	93210-09165	B - 10	95024-10020	B - 9	95827-06016	D - 5				
91314-10050	D - 2		C - 5	95027-06008	F - 11	95827-06090	D - 14				
91317-04025	F - 12	93210-14003	B - 10	95027-06012	D - 3	95827-08012	D - 5				
91317-05010	D - 14	93210-14579	C - 4		D - 8	95827-08025	D - 3				
91317-06016	F - 9	93210-15566	B - 11	95027-06020	F - 8		D - 4				
91317-06020	B - 2	93210-16325	C - 4	95027-06040	F - 3	97004-05012	B - 8				