

**PARTS
CATALOGUE
CATALOGO
DE REPUESTOS**

YW125X (BA41) COLOMBIA



1SBA4-261S1

()

2016/11/4

| NEWS NO. | DATE | COMMENT |
|---------------|-------------|---|
| PE0-MC-160133 | Nov.,2,2016 | MOD:FIG.17 FUEL TANK LIST/ILLUSTRATION REVISION |

YW125X
CATALOGO DE REPUESTOS
©2016 por Yamaha Motor Co., Ltd.
1ª edición, agosto 2016
Todos los derechos reservados.
Toda reproducción o uso no autorizado
sin el consentimiento escrito de
Yamaha Motor Co., Ltd.
quedan expresamente prohibidos
Impreso en Japón.

YW125X
PARTS CATALOGUE
©2016 by Yamaha Motor Co., Ltd.
1st edition, August 2016
All rights reserved.
Any reprinting or unauthorized use
without the written permission of
Yamaha Motor Co., Ltd.
is expressly prohibited.
Printed in Japan.

PROLOGO

Este catálogo de repuestos corresponde a las piezas para el o los modelos que figuran en la página de portada. Al formular el pedido de repuestos, se ruega citar este catálogo y especificar correctamente el número y el nombre de las piezas.

1. Las modificaciones y agregados que se hayan realizado después de la edición de este Catálogo de Repuestos, serán anunciados en las Informaciones de Recambios. Es recomendable que se hagan las correcciones necesarias en el Catálogo de Repuestos de acuerdo con las Informaciones de Recambios.
2. Abreviaciones
En este. Catálogo de Repuestos se emplean las siguientes abreviaciones.
“UR” Usar el número de partes especificado
“UN” Usar la cantidad necesaria
“AP” Piezas sustitutivas
“LM” Fabricación local (Hay que pedir los repuestos en las cercanías)
“F#” N° de bastidor (N° aplicable a la máquina)
“O/S” Sobredimensionado
3. La cantidad de componentes para el montaje
 - Los componentes, suministrados como conjunto, se describen con un punto (.) que precede al nombre del parte como se indica a continuación.
 - La numeración que aparece a la derecha de cada descripción indica la cantidad de partes por cada unidad de conjunto.

| CODIGO N° | DESCRIPCION | CANT. | OBSERVACIONES |
|--------------|----------------------|-------|---------------|
| 2F5-83310-60 | ENSAMBLAJE DE LA LUZ | 2 | |
| 115-83311-60 | .BOMBILLA (6V-18W) | 1 | |

4. Los colores de los componentes se indican como sigue en la columna de “OBSERVACIONES”.

| CODIGO N° | DESCRIPCION | CANT. | OBSERVACIONES |
|-----------------|----------------------|-------|---------------|
| 2N4-24110-00-X5 | COMP. DEL TANQUE | 2 | MXR |
| 3J1-24240-10 | .GRAFICO, DEL TANQUE | 1 | PARA MXR |

5. Debe tenerse en cuenta que las ilustraciones sirven como guía para la búsqueda de los números de partes y no deben usarse para el montaje. Durante el montaje, se recomienda usar el manual de taller correspondiente.

6. EL asterisco (*) antes del número de referencia indica los elementos modificados después de la primera edición.

FOREWORD

This Parts Catalogue is related to the parts for the model(s) on the cover page. When you are ordering replacement parts, please refer to this Parts Catalogue and quote both part numbers and part names correctly.

1. Modifications or additions which have been made after the issue of the Parts Catalogue will be announced in the Parts News.
It is advisable that you make the necessary corrections to the Parts Catalogue according to the Parts News.

2. Abbreviations

The following abbreviations are used in this Parts Catalogue.

“UR” Use specified parts number.

“UN” Use as many as needed.

“AP” Alternate Parts

“LM” Locally Made (Parts need to be ordered locally)

“F#” Frame No. (Applicable machine No.)

“O/S” Over Size

3. The number of components for assembly

- Parts, which are to be supplied in an assembly, are listed with a dot (.) in front of the part name as shown below.
- The numeral appearing to the right of each component part indicates the quantity of parts for each assembly unit.

| PART NO. | DESCRIPTION | Q'TY | REMARKS |
|--------------|--------------------------|------|---------|
| 2F5-83310-60 | FRONT FLASHER LIGHT ASSY | 2 | |
| 115-83311-60 | .BULB (6V-18W) | 1 | |

4. Applicable colours of graphics are represented in the “REMARKS” as shown below.

| PART NO. | DESCRIPTION | Q'TY | REMARKS |
|-----------------|---------------------|------|---------|
| 2N4-24110-00-X5 | FUEL TANK COMP. | 2 | MXR |
| 3J1-24240-10 | .GRAPHIC, FUEL TANK | 1 | FOR MXR |

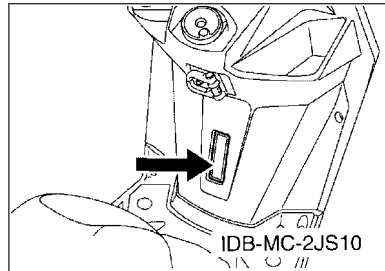
5. Note that the illustrations for reference in finding parts numbers are not to be used for assembling. When assembling, please use the applicable service manual.

6. The asterisk (*) before a reference number indicates modified items after the first edition.

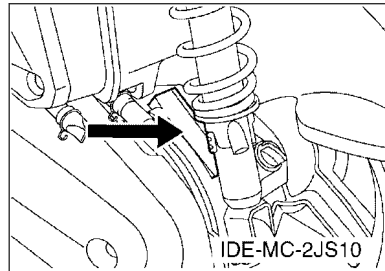
PROLOGO

7. Números de serie

Nº de Serie del bastidor



Nº de Serie del motor



8. Códigos de color aplicables (El símbolo (*)) muestra el color de modelo.)

| Abreviatura | Nombre de color | Código de color |
|-------------|-------------------------|-----------------|
| BMC | BLUE METALLIC C | 0775 |
| BWC1(*) | BLUISH WHITE COCKTAIL 1 | 0390 |
| HTR | HEAT RED | 00EY |
| LNMX | LIGHT GRAY METALLI X | 1138 |
| MDS | MIDNIGHT SILVER | 007M |
| SL | SILVER | 0035 |
| SMX(*) | BLACK METALLIC X | 0903 |
| VOS2(*) | VIVID ORANGE SOLID 2 | 0921 |
| VRC7(*) | VIVID RED COCKTAIL 7 | 0580 |
| YB | YAMAHA BLACK | 0033 |

9. Nº de serie inicial aplicable

Nº de Serie del bastidor

| Nº de serie | Nombre de la columna de cantidades | Código de Modelo |
|-------------|------------------------------------|------------------|
| | | |
| | | |
| | | |
| | | |
| | | |

Nº de Serie del motor

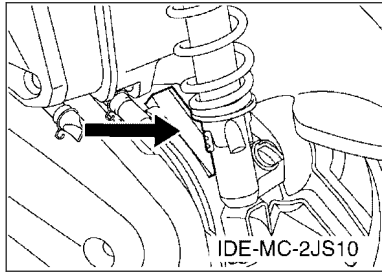
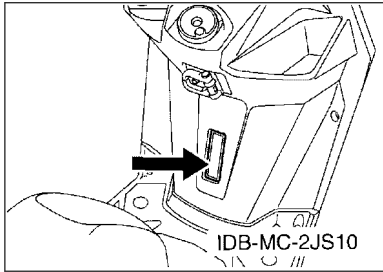
| Nº de serie | Nombre de la columna de cantidades | Código de Modelo |
|-------------|------------------------------------|------------------|
| | | |
| | | |
| | | |
| | | |
| | | |

FOREWORD

7. Applicable Serial No.

Frame Serial No.

Engine Serial No.



8. Applicable Colour Code (The (*) mark shows Model colour.)

| Abbreviation | Colour Name | Colour Code |
|--------------|-------------------------|-------------|
| BMC | BLUE METALLIC C | 0775 |
| BWC1(*) | BLUISH WHITE COCKTAIL 1 | 0390 |
| HTR | HEAT RED | 00EY |
| LNMX | LIGHT GRAY METALLI X | 1138 |
| MDS | MIDNIGHT SILVER | 007M |
| SL | SILVER | 0035 |
| SMX(*) | BLACK METALLIC X | 0903 |
| VOS2(*) | VIVID ORANGE SOLID 2 | 0921 |
| VRC7(*) | VIVID RED COCKTAIL 7 | 0580 |
| YB | YAMAHA BLACK | 0033 |

9. Applicable Starting Serial No.

Frame Serial No.

| Serial No. | Name Of Q'ty Column | Model Code |
|------------|---------------------|------------|
| | | |
| | | |
| | | |
| | | |
| | | |

Engine Serial No.

| Serial No. | Name Of Q'ty Column | Model Code |
|------------|---------------------|------------|
| | | |
| | | |
| | | |
| | | |
| | | |

CONTENIDO

MOTOR

| | |
|------------------------------------|----|
| CULATA DE CILINDRO..... | 1 |
| CIGUENAL & PISTON..... | 3 |
| VALVULA..... | 4 |
| CUBIERTA DE AIRE & VENTILADOR..... | 5 |
| BOMBA DE ACEITE..... | 6 |
| ADMISION..... | 7 |
| DESCARGA..... | 9 |
| CARTER..... | 10 |
| ARRANQUE..... | 12 |
| EMBRAGUE..... | 13 |
| TRANSMISION..... | 14 |

SHASIS

| | |
|-------------------------------------|----|
| CUADRO..... | 15 |
| GUARDABARRO DELANTERO..... | 17 |
| CUBIERTA LATERAL..... | 18 |
| BRAZO TRASERO & SUSPENSION..... | 20 |
| HORQUILLA DELANTERA..... | 21 |
| DEPOSITO DE COMBUSTIBLE..... | 24 |
| ASIENTO..... | 26 |
| RUEDA DELANTERA..... | 27 |
| CALIBRE FRENO DELANTERA..... | 28 |
| RUEDA TRASERA..... | 29 |
| MANILLAR & CABLE..... | 30 |
| CILINDRO MAESTRO DELANTERO..... | 31 |
| SOPORTE & APOYAPIE..... | 33 |
| PATA PROTEGIDA..... | 34 |
| BOVEDA 1..... | 36 |
| GENERADOR..... | 37 |
| MOTOR DE ARRANQUE..... | 38 |
| LUZ DE DESTELLADOR..... | 39 |
| MEDIDOR..... | 40 |
| FARO DELANTERO..... | 41 |
| LUZ DE COLA..... | 42 |
| INTERRUPTOR DE MANILLAR&PALANC..... | 43 |
| EQUIPO ELECTRICO 1..... | 44 |

INDICE

| | |
|----------------------|----|
| INDICE NUMERICO..... | 46 |
|----------------------|----|

CONTENTS

ENGINE

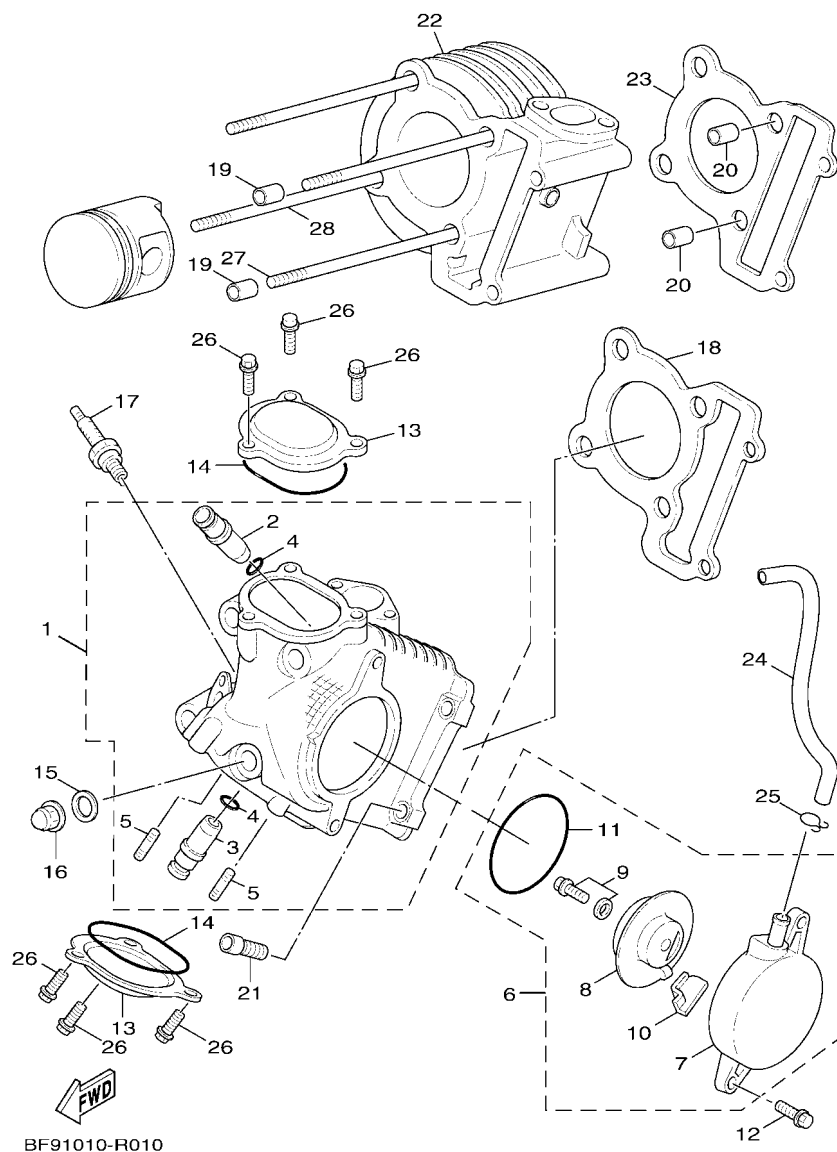
| | |
|--------------------------|----|
| CYLINDER HEAD..... | 1 |
| CRANKSHAFT & PISTON..... | 3 |
| VALVE..... | 4 |
| AIR SHROUD & FAN..... | 5 |
| OIL PUMP..... | 6 |
| INTAKE..... | 7 |
| EXHAUST..... | 9 |
| CRANKCASE..... | 10 |
| STARTER..... | 12 |
| CLUTCH..... | 13 |
| TRANSMISSION..... | 14 |

CHASSIS

| | |
|------------------------------|----|
| FRAME..... | 15 |
| FRONT FENDER..... | 17 |
| SIDE COVER..... | 18 |
| REAR ARM & SUSPENSION..... | 20 |
| FRONT FORK..... | 21 |
| FUEL TANK..... | 24 |
| SEAT..... | 26 |
| FRONT WHEEL..... | 27 |
| FRONT BRAKE CALIPER..... | 28 |
| REAR WHEEL..... | 29 |
| STEERING HANDLE & CABLE..... | 30 |
| FRONT MASTER CYLINDER..... | 31 |
| STAND & FOOTREST..... | 33 |
| LEG SHIELD..... | 34 |
| COWLING 1..... | 36 |
| GENERATOR..... | 37 |
| STARTING MOTOR..... | 38 |
| FLASHER LIGHT..... | 39 |
| METER..... | 40 |
| HEADLIGHT..... | 41 |
| TAILLIGHT..... | 42 |
| HANDLE SWITCH & LEVER..... | 43 |
| ELECTRICAL 1..... | 44 |

INDEX

| | |
|----------------------|----|
| NUMERICAL INDEX..... | 46 |
|----------------------|----|



BF91010-R010

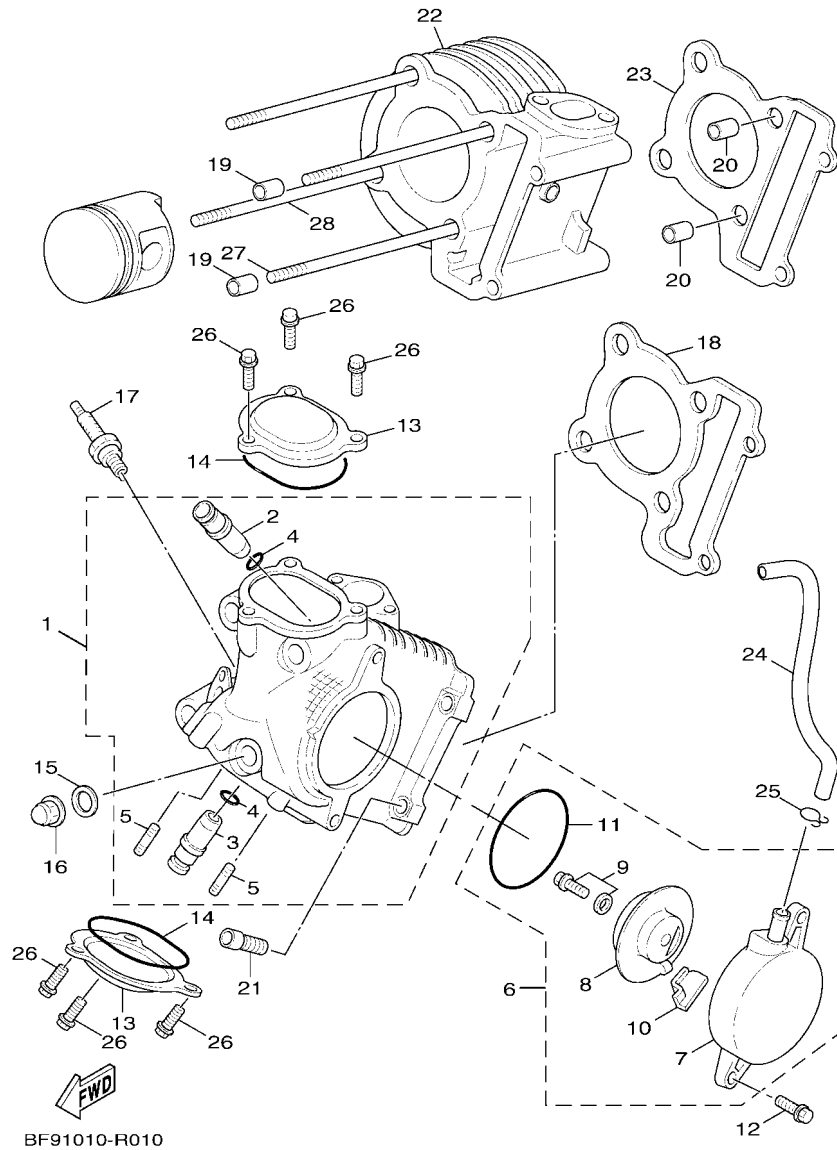
FIG. 1 CULATA DE CILINDRO

CYLINDER HEAD

| REF. N° | CODIGO N° PART NO. | DESCRIPCION DESCRIPTION | BA41 | | | | OBSERVACIONES REMARKS |
|---------|--------------------|--|------|--|--|--|-----------------------|
| 1 | 2JS-E1102-00 | CULATA DE CILINDRO COMPLETA CYLINDER HEAD ASSY | 1 | | | | |
| 2 | 5ML-11133-10 | .GUIA DE VALVULA 1 .GUIDE, VALVE 1 | 2 | | | | |
| 3 | 5ML-11134-10 | .GUIA DE VALVULA 2 .GUIDE, VALVE 2 | 2 | | | | |
| 4 | 93210-09802 | .ANILLO O .O-RING | 4 | | | | |
| 5 | 90116-08806 | .ESPARRAGO .BOLT, STUD | 2 | | | | |
| 6 | 5ML-E1160-00 | RESPIRADERO COMPLETO BREATHER ASSY | 1 | | | | |
| 7 | 5ML-E1185-00 | .CUBIERTA CULATA CIL.LAT.3 .COVER, CYLINDER HEAD SIDE 3 | 1 | | | | |
| 8 | 5ML-E1165-00 | .PLACA RESPIRADERO .PLATE, BREATHER | 1 | | | | |
| 9 | 97517-06512 | .PERNO CON ARANDELA .BOLT, WITH WASHER | 1 | | | | |
| 10 | 4CW-E1155-00 | .SELLO LABERINTO .SEAL, LABYRINTH | 1 | | | | |
| 11 | 93210-71803 | .ANILLO O .O-RING | 1 | | | | |
| 12 | 95027-06020 | PERNO, DE BRIDA BOLT, FLANGE | 2 | | | | |
| 13 | 5ML-E1186-00 | CUBIERTA CULATA CIL.LAT.2 COVER, CYLINDER HEAD SIDE 2 | 2 | | | | |
| 14 | 93210-54008 | ANILLO O O-RING | 2 | | | | |
| 15 | 90201-08609 | ARANDELA PLANA WASHER, PLATE | 4 | | | | |
| 16 | 90176-08816 | TUERCA CORONA NUT, CROWN | 4 | | | | |
| 17 | 94700-00881 | BUJIA (DENSO U22ESR-N) PLUG, SPARK (DENSO U22ESR-N) | 1 | | | | |
| 18 | 5ML-E1181-00 | JUNTA, DE CULATA 1 GASKET, CYLINDER HEAD 1 | 1 | | | | |
| 19 | 91810-14807 | PASADOR DE CLAVIJA PIN, DOWEL | 2 | | | | |
| 20 | 91810-14807 | PASADOR DE CLAVIJA PIN, DOWEL | 2 | | | | |
| 21 | 91317-06100 | PERNO BOLT, HEX. SOCKET HEAD | 2 | | | | |
| 22 | 5ML-E1311-20 | CILINDRO 1 CYLINDER 1 | 1 | | | | |
| 23 | 5ML-E1351-20 | JUNTA, DE CILINDRO GASKET, CYLINDER | 1 | | | | |
| 24 | 2JS-E4987-00 | TUBO HOSE | 1 | | | | |
| 25 | 90467-13042 | PRESILLA CLIP | 2 | | | | |
| 26 | 95027-06016 | PERNO, DE BRIDA BOLT, FLANGE | 6 | | | | |
| 27 | 5ML-E1391-00 | PERNO PERNO PRISIONERO 1 BOLT, STUD 1 | 3 | | | | |

FIG. 1 CULATA DE CILINDRO

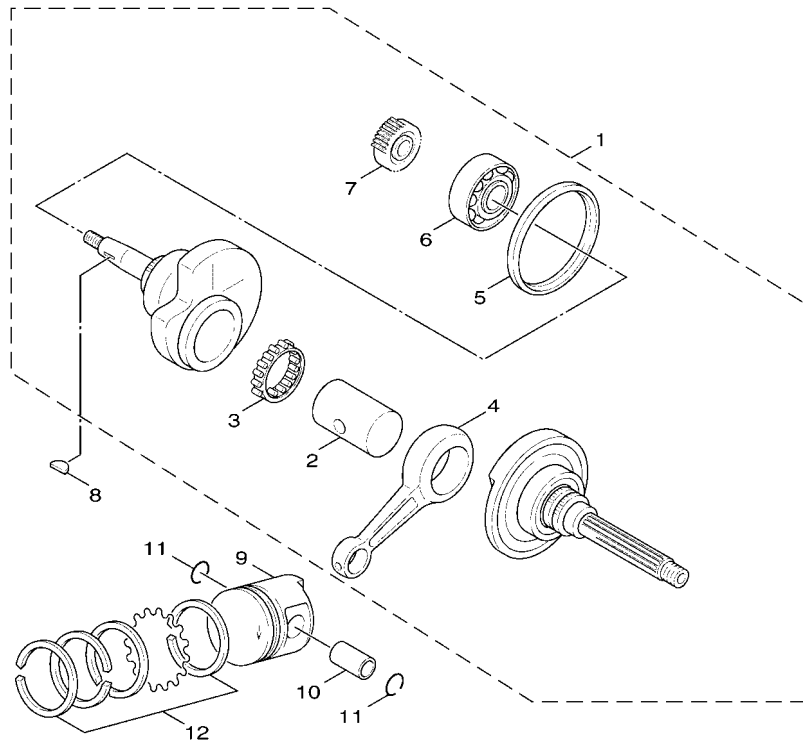
CYLINDER HEAD



| REF. N° | CODIGO N° PART NO. | DESCRIPCION DESCRIPTION | EA41 | | | | OBSERVACIONES REMARKS |
|---------|--------------------|------------------------------------|------|--|--|--|-----------------------|
| 28 | 5ML-E1392-00 | PERNO PRISIONERO 2 BOLT, STUD 2 | 1 | | | | |
| | | | | | | | |
| | | | | | | | |
| | | | | | | | |
| | | | | | | | |
| | | | | | | | |
| | | | | | | | |
| | | | | | | | |
| | | | | | | | |
| | | | | | | | |

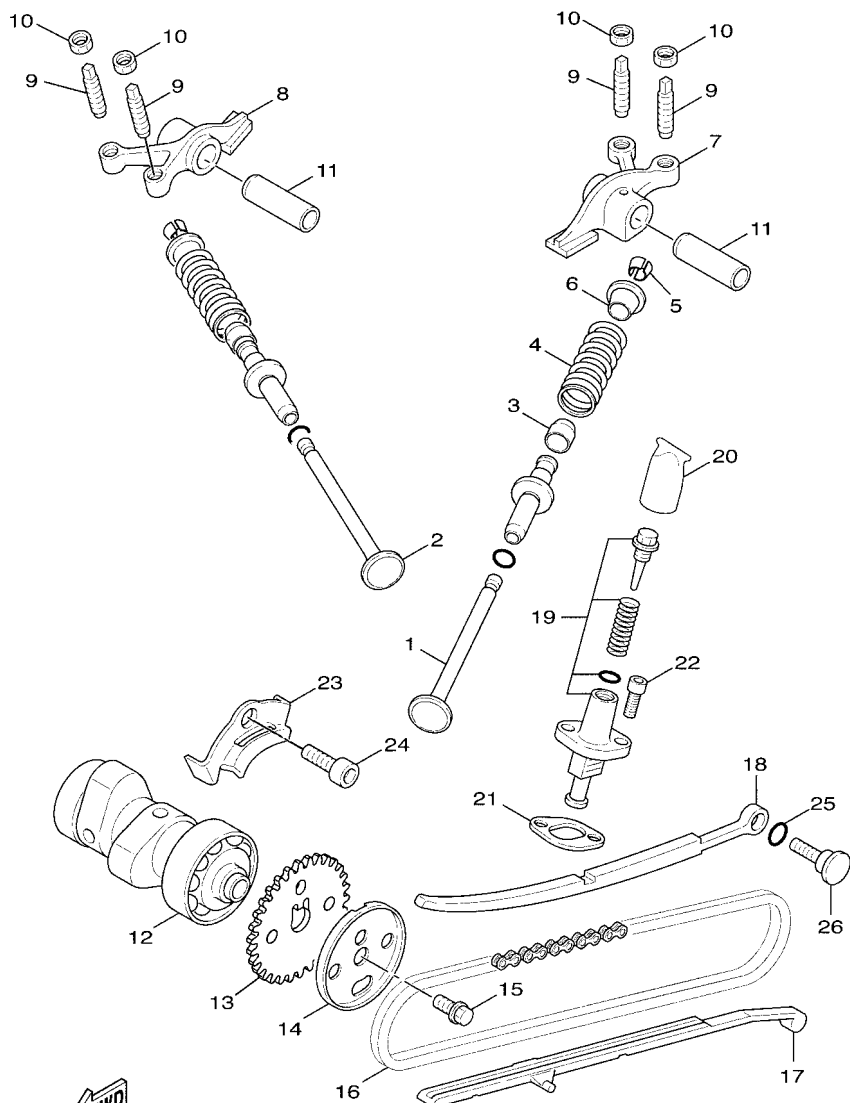
FIG. 2 CIGUENAL & PISTON

CRANKSHAFT & PISTON



| REF. N° | CODIGO N° PART NO. | DESCRIPCION DESCRIPTION | BA41 | | | | OBSERVACIONES REMARKS |
|---------|--------------------|---|------|--|--|--|-----------------------|
| 1 | 2JS-E1400-00 | CIGUENAL COMPLETO CRANKSHAFT ASSY | 1 | | | | |
| 2 | 5ML-E1681-00 | .PASADOR MANIVELA 1 .PIN, CRANK 1 | 1 | | | | |
| 3 | 93310-528Y9 | .COJINETE DE RODILLOS .BEARING | 1 | | | | |
| 4 | 5LW-E1651-10 | .BIELA .ROD, CONNECTING | 1 | | | | |
| 5 | 5ML-E3452-00 | .CUBIERTA FILTRO ROTOR .COVER, ROTOR FILTER | 1 | | | | |
| 6 | 93306-372X2 | .COJINETE .BEARING | 1 | | | | |
| 7 | 4D0-E3324-00 | .ENGRANAJE TRACC. DE BOMBA .GEAR, PUMP DRIVE | 1 | | | | |
| 8 | 90280-03045 | CUNA WOODRUFF KEY, WOODRUFF | 1 | | | | |
| 9 | 58P-E1631-00 | PISTON (NORMA) PISTON (STD) | 1 | | | | |
| 10 | 53B-E1633-00 | PASADOR, PISTON PIN, PISTON | 1 | | | | |
| 11 | 93450-16068 | SEGURO CIRCLIP | 2 | | | | |
| 12 | 4C6-E1603-00 | JUEGO DE ANILLOS (NORMA) PISTON RING SET (STD) | 1 | | | | |


2UB1414-P020



5UA1010-B030

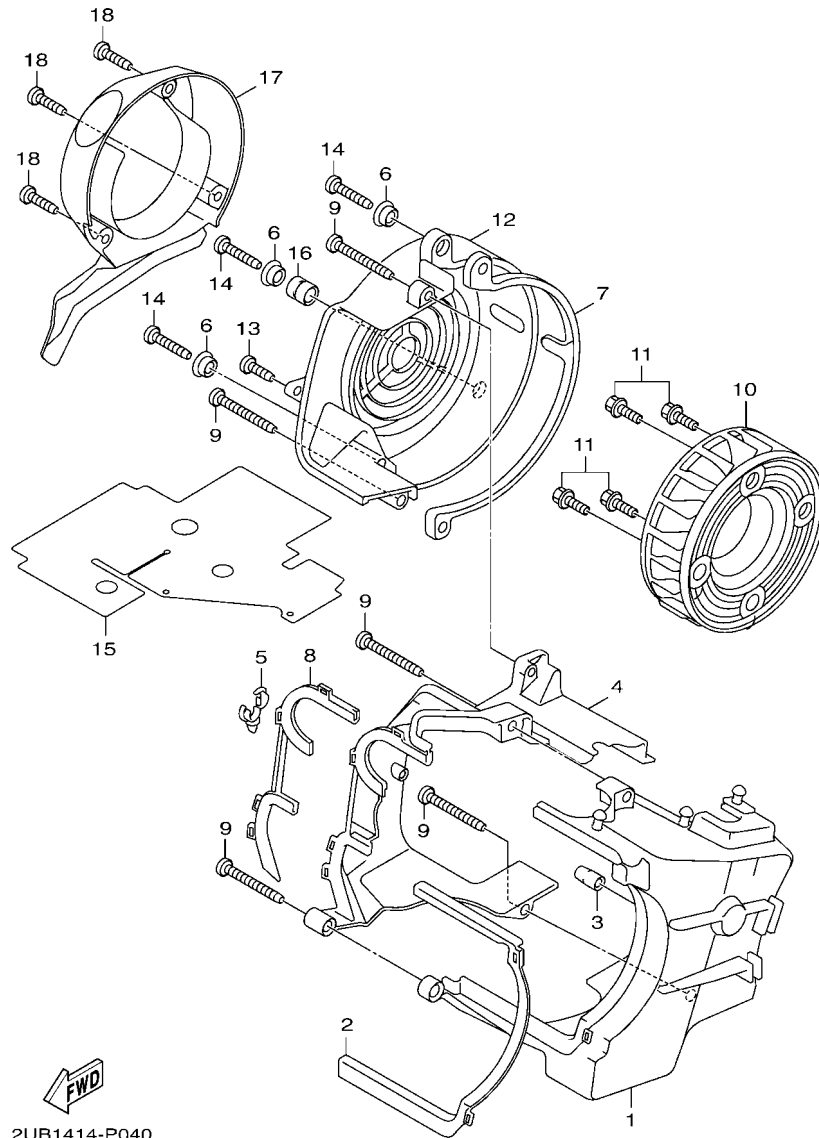
FIG. 3 VALVULA

VALVE

| REF. N° | CODIGO N° PART NO. | DESCRIPCION DESCRIPTION | BA41 | | | | OBSERVACIONES REMARKS |
|---------|--------------------|--|------|--|--|--|-----------------------|
| 1 | 5ML-E2111-00 | VALVULA DE ADMISION VALVE, INTAKE | 2 | | | | |
| 2 | 5ML-E2121-00 | VALVULA DE ESCAPE VALVE, EXHAUST | 2 | | | | |
| 3 | 5ML-E2119-00 | SELLO DE ACEITE VALVULA SEAL, VALVE STEM | 4 | | | | |
| 4 | 2JS-E2113-00 | RESORTE VALVULA INTERNA SPRING, VALVE INNER | 4 | | | | |
| 5 | 5WG-E2118-00 | SEGURO DE VALVULA LOCK, VALVE SPRING RETAINER | 8 | | | | |
| 6 | 4C6-E2117-00 | RETEN RESORTE DE VALVULA RETAINER, VALVE SPRING | 4 | | | | |
| 7 | 1P3-E2151-00 | BRAZO DE BALANCIN DE VALVULA ARM, VALVE ROCKER | 1 | | | | |
| 8 | 1P3-E2161-00 | BRAZO DE BALANCIN DE VALVULA ARM, VALVE ROCKER 2 | 1 | | | | |
| 9 | 5FM-E2159-00 | TORNILLO DE AJUSTE DE VALVULA SCREW, VALVE ADJUSTING | 4 | | | | |
| 10 | 90170-05800 | TUERCA NUT | 4 | | | | |
| 11 | 5HK-E2156-00 | EJE DE BALANCIN SHAFT, ROCKER 2 | 2 | | | | |
| 12 | 2JS-E2170-00 | ARBOL DE LEVAS COMPLETO 1 CAMSHAFT ASSY 1 | 1 | | | | |
| 13 | 5LW-E2176-00 | CATALINA DE CADENA SPROCKET, CAM CHAIN | 1 | | | | |
| 14 | 5ML-E1145-00 | PLACA RESPIRADERO 2 PLATE, BREATHER 2 | 1 | | | | |
| 15 | 95817-08016 | TORNILLO BOLT, FLANGE | 1 | | | | |
| 16 | 94568-75094 | CADENA CHAIN | 1 | | | | |
| 17 | 5ML-E2231-00 | TOPE DE GUIA 1 GUIDE, STOPPER 1 | 1 | | | | |
| 18 | 5ML-E2241-00 | TOPE DE GUIA 2 GUIDE, STOPPER 2 | 1 | | | | |
| 19 | 5ML-E2210-00 | TENSOR CADENA DE LEVA TENSIONER ASSY, CAM CHAIN | 1 | | | | |
| 20 | 5UA-E2232-00 | AMORTIGUADOR DAMPER | 1 | | | | |
| 21 | 4DH-E2213-01 | EMPAQUE DE CAJA TENSOR GASKET, TENSIONER CASE | 1 | | | | |
| 22 | 91317-06016 | PERNO BOLT, HEX. SOCKET HEAD | 2 | | | | |
| 23 | 5ML-E1111F-00 | PLACA PLATE | 1 | | | | |
| 24 | 91317-06012 | PERNO BOLT, HEX. SOCKET HEAD | 1 | | | | |
| 25 | 93210-15862 | ANILLO O O-RING | 1 | | | | |
| 26 | 3B3-E2157-00 | PERNO BOLT | 1 | | | | |

FIG. 4 CUBIERTA DE AIRE & VENTILADOR

AIR SHROUD & FAN

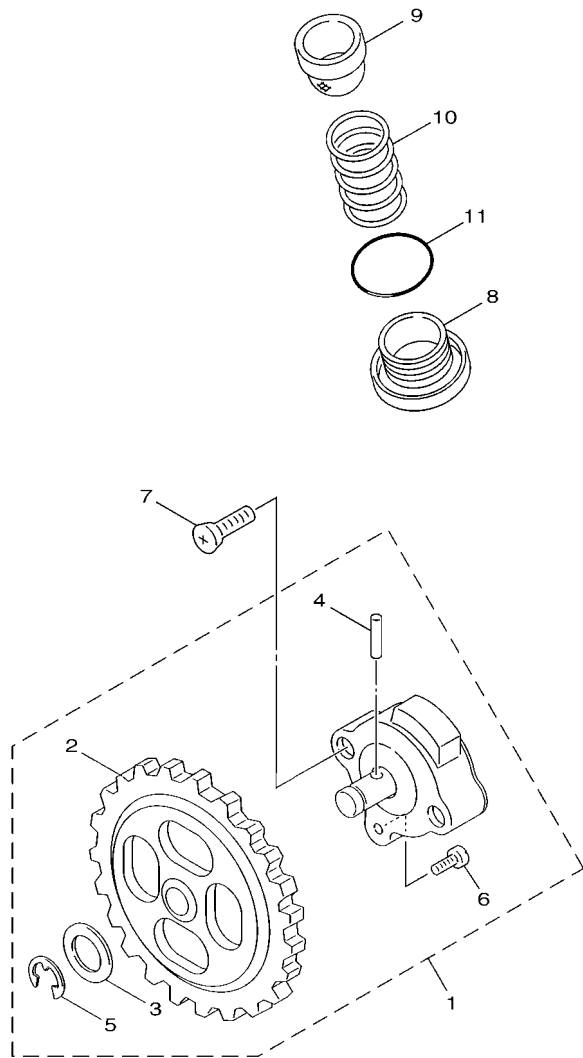


2UB1414-P040

| REF. N° | CODIGO N° PART NO. | DESCRIPCION DESCRIPTION | EA41 | | | | OBSERVACIONES REMARKS |
|---------|--------------------|--|------|--|--|--|-----------------------|
| 1 | 5ML-E2651-00 | CUBIERTA DE PASO DE AIRE 1 AIR SHROUD, CYLINDER 1 | 1 | | | | |
| 2 | 5ML-E2659-00 | AMORTIGUADOR DE CUBIERTA 2 DAMPER, AIR SHROUD 2 | 1 | | | | |
| 3 | 3KW-E3569-00 | TAPON CIEGO PLUG, BLIND | 1 | | | | |
| 4 | 4C6-E2652-00 | CUBIERTA DE PASO DE AIRE 2 AIR SHROUD, CYLINDER 2 | 1 | | | | |
| 5 | 90464-10800 | BRIDA CLAMP | 1 | | | | |
| 6 | 90387-068F9 | ESPACIADOR COLLAR | 3 | | | | |
| 7 | 5ML-E2658-00 | AMORTIGUADOR DE CUBIERTA 1 DAMPER, AIR SHROUD 1 | 1 | | | | |
| 8 | 5ML-E2668-00 | AMORTIGUADOR DE CUBIERTA 3 DAMPER, AIR SHROUD 3 | 1 | | | | |
| 9 | 97707-60530 | TORNILLO ROSCA HEMBRA SCREW, TAPPING | 5 | | | | |
| 10 | 2JS-E2611-00 | VENTILADOR FAN | 1 | | | | |
| 11 | 90119-06857 | TORNILLO CON ARANDELA BOLT, WITH WASHER | 4 | | | | |
| 12 | 5ML-E2653-01 | CUBIERTA DE PASO DE AIRE 3 AIR SHROUD, CYLINDER 3 | 1 | | | | |
| 13 | 97707-60516 | TORNILLO ROSCA HEMBRA SCREW, TAPPING | 1 | | | | |
| 14 | 98980-06020 | TORNILLO DE LIGAR SCREW, BIND | 3 | | | | |
| 15 | 2JS-E2682-00 | PROTECTOR PROTECTOR, HEAT | 1 | | | | |
| 16 | 90480-12497 | TAPON GROMMET | 1 | | | | |
| 17 | 2JS-E262H-00 | GUIA 1 GUIDE 1 | 1 | | | | |
| 18 | 97707-60520 | TORNILLO ROSCA HEMBRA SCREW, TAPPING | 3 | | | | |

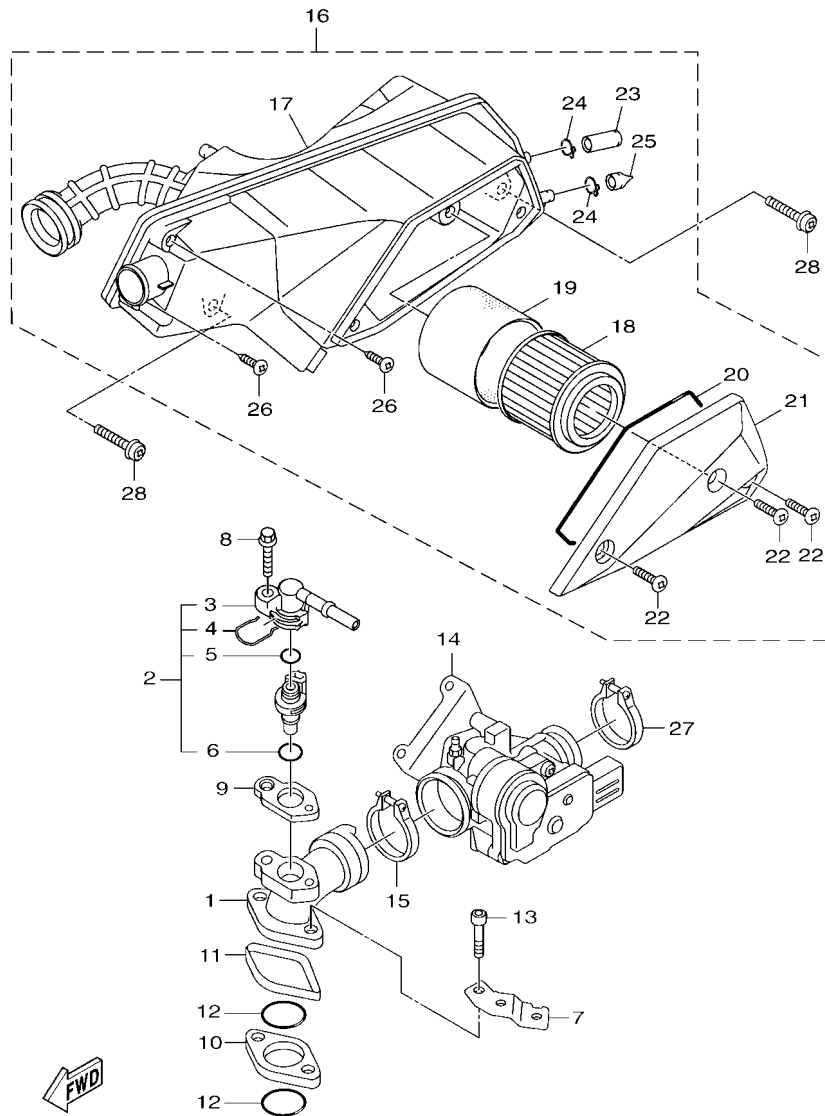
FIG. 5 BOMBA DE ACEITE

OIL PUMP



FWD
BA41261-S050

| REF. N° | CODIGO N° PART NO. | DESCRIPCION DESCRIPTION | EA41 | | | | OBSERVACIONES REMARKS |
|---------|--------------------|--|------|--|--|--|-----------------------|
| 1 | 1P3-E3300-00 | BOMBA DE ACEITE COMPLETA OIL PUMP ASSY | 1 | | | | |
| 2 | 1P3-E3325-00 | .ENGRANAJE IMPULSOR DE BOMBA 1 .GEAR, PUMP DRIVEN | 1 | | | | |
| 3 | 1P3-E3318-00 | .ARANDELA .WASHER | 1 | | | | |
| 4 | 1P3-E3362-00 | .RODILLO .ROLLER | 1 | | | | |
| 5 | 1P3-E3364-00 | .SEGURO .CIRCLIP | 1 | | | | |
| 6 | 5ST-E3365-00 | .TORNILLO DE CABEZA CON PLANA .SCREW PAN HEAD | 1 | | | | |
| 7 | 98507-05020 | TORNILLO DE CABEZA PLANA SCREW, PAN HEAD | 2 | | | | |
| 8 | 5ML-E5351-20 | TAPON DE DRENAJE PLUG, DRAIN | 1 | | | | |
| 9 | 5ML-E3411-00 | FILTRO DE ACEITE STRAINER, OIL | 1 | | | | |
| 10 | 90501-16004 | RESORTE DE COMPRESION SPRING, COMPRESSION | 1 | | | | |
| 11 | 93210-29800 | ANILLO O O-RING | 1 | | | | |

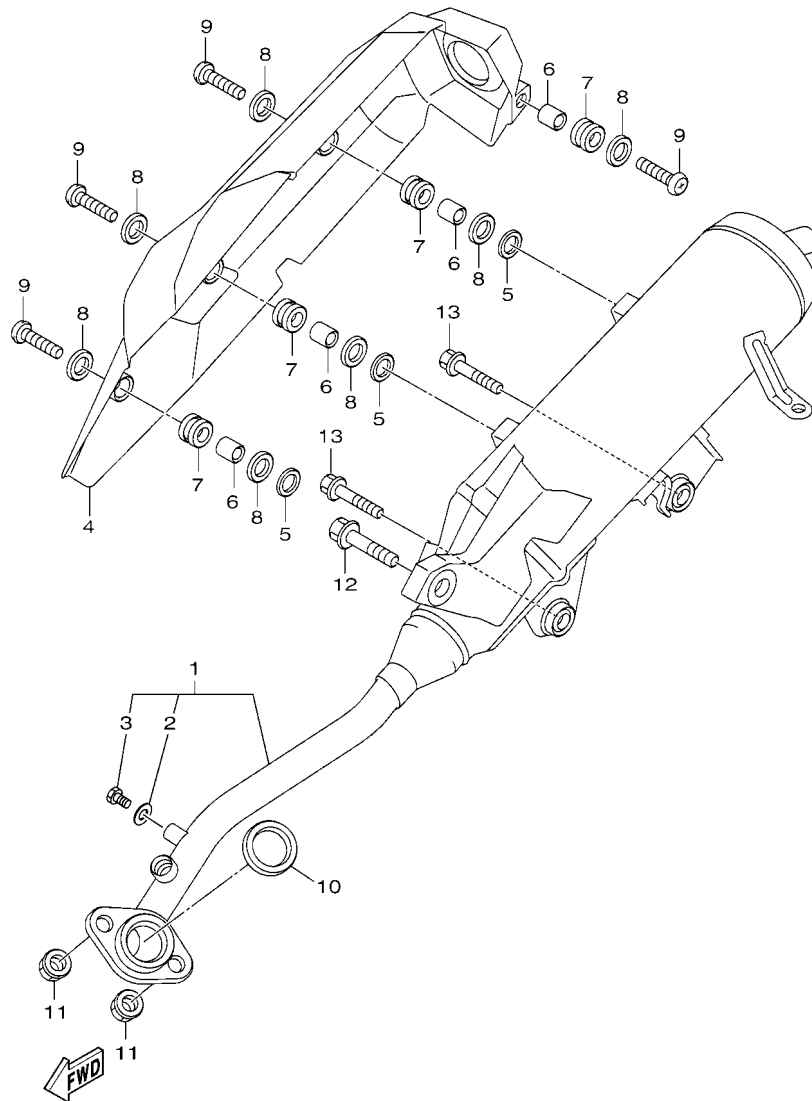


BA41261-S060

FIG. 6 ADMISION

INTAKE

| REF. N° | CODIGO N° PART NO. | DESCRIPCION DESCRIPTION | BA41 | | | | OBSERVACIONES REMARKS |
|---------|--------------------|---|------|--|--|--|-----------------------|
| 1 | 2EB-E3585-00 | MULTIPLE MANIFOLD | 1 | | | | |
| 2 | 2EB-E3770-00 | INJECTOR INJECTOR ASSY | 1 | | | | |
| 3 | 54P-E3938-00 | .TUBO DE ADMISION .PIPE | 1 | | | | |
| 4 | 54P-E4137-00 | .PRESILLA .CLIP | 1 | | | | |
| 5 | 54P-E4147-00 | .ANILLO O .O-RING | 1 | | | | |
| 6 | 5CA-E4147-00 | .ANILLO O .O-RING | 1 | | | | |
| 7 | 2JS-E4413-00 | SOPORTE STAY | 1 | | | | |
| 8 | 95817-06030 | TORNILLO BOLT, FLANGE | 1 | | | | |
| 9 | 4P9-E3556-00 | EMPAQUE GASKET, MANIFOLD | 1 | | | | |
| 10 | 4P9-E3595-01 | TOBERA JOINT | 1 | | | | |
| 11 | 4P9-E4239-00 | SELLO SEAL | 1 | | | | |
| 12 | 93210-29802 | ANILLO O O-RING | 2 | | | | |
| 13 | 90110-06256 | TORNILLO ALLEN BOLT, HEXAGON SOCKET HEAD | 2 | | | | |
| 14 | 1MS-E3750-00 | CAJA DE ACELERADOR COMPL. THROTTLE BODY ASSY | 1 | | | | |
| 15 | 4P9-E3575-00 | BANDA BAND | 1 | | | | |
| 16 | BA4-E4410-00 | FILTRO DE AIRE COMPLETO AIR CLEANER ASSY. | 1 | | | | |
| 17 | BA4-WE440-00 | .AIR CLEANER UNIT .AIR CLEANER UNIT | 1 | | | | |
| 18 | 2JS-E4451-00 | .ELEMENTO DEL FILTRO DEL AIRE .ELEMENT, AIR CLEANER | 1 | | | | |
| 19 | 2JS-E4461-00 | .ELEMENTO COMPLETO .ELEMENT, AIR CLEANER 2 | 1 | | | | |
| 20 | 2JS-E4452-00 | .SELLO .SEAL | 1 | | | | |
| 21 | 2JS-E4422-00 | .TAPA CAJA DE FILTRO 2 .CAP, CLEANER CASE 2 | 1 | | | | |
| 22 | 90154-06827 | .TORNILLO DE LIGAR .SCREW, BINDING | 3 | | | | |
| 23 | 1MS-E443E-00 | .TUBO, DRENAJE .PIPE, DRAIN | 1 | | | | |
| 24 | 1MS-E4137-00 | .PRESILLA .CLIP | 2 | | | | |
| 25 | 2JS-E443G-00 | .TUBO, DRENAJE 2 .PIPE, DRAIN 2 | 1 | | | | |
| 26 | 97707-40012 | .TORNILLO ROSCA HEMBRA .SCREW, TAPPING | 2 | | | | |
| 27 | 90450-43805 | BRIDA, MANGUERA HOSE CLAMP ASSY | 1 | | | | |

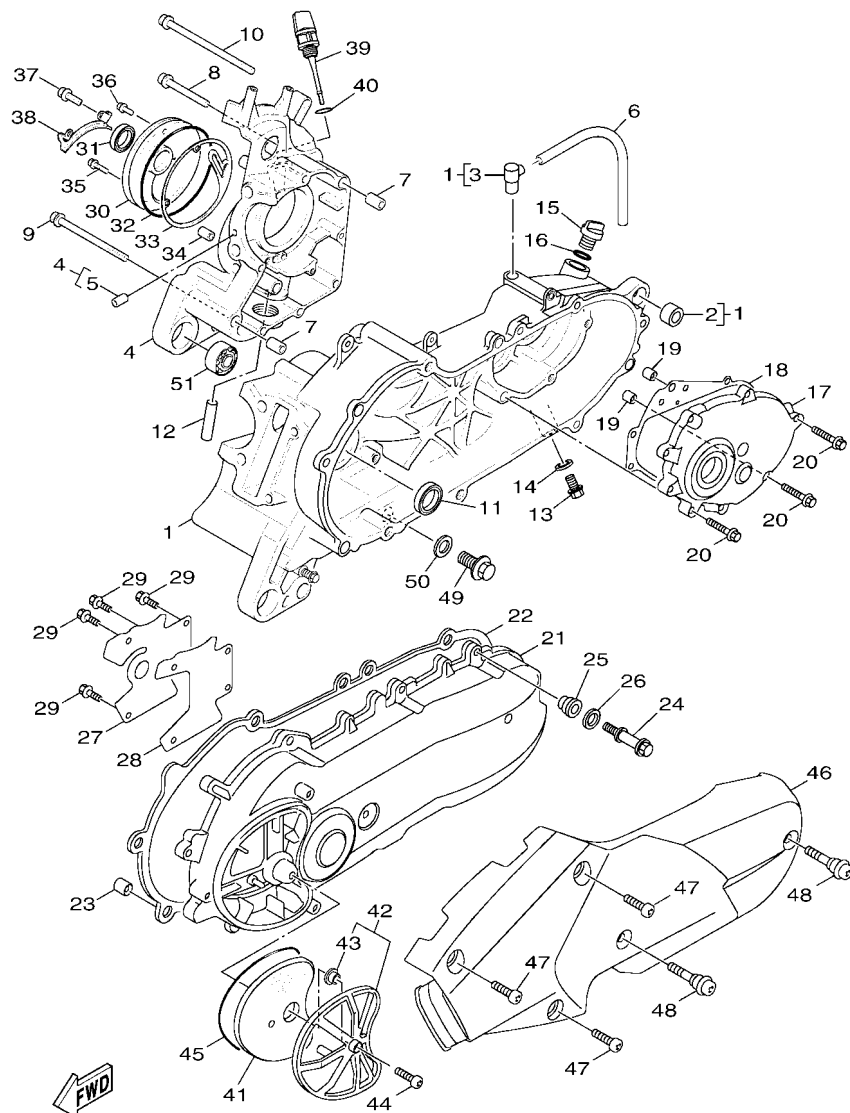


BA41261-S070

FIG. 7 DESCARGA

EXHAUST

| REF. N° | CODIGO N° PART NO. | DESCRIPCION DESCRIPTION | BA41 | | | | OBSERVACIONES REMARKS |
|---------|--------------------|--|------|--|--|--|-----------------------|
| 1 | BA6-E4610-00 | TUBO DE ESCAPE COMPLETO 1 EXHAUST PIPE ASSY 1 | 1 | | | | |
| 2 | 92990-06600 | .ARANDELA PLANA .WASHER, PLATE | 1 | | | | |
| 3 | 97080-06008 | .PERNO .BOLT, HEX. | 1 | | | | |
| 4 | BF9-E4708-00 | PROTECTOR COMPLETA PROTECTOR ASSY | 1 | | | | |
| 5 | 4CW-E4766-00 | ARANDELA DE PROTECTOR WASHER, PROTECTOR | 3 | | | | |
| 6 | 90387-06870 | ESPACIADOR COLLAR | 4 | | | | |
| 7 | 90480-12809 | TAPON GROMMET | 4 | | | | |
| 8 | 90201-06057 | ARANDELA PLANA WASHER, PLATE | 7 | | | | |
| 9 | 90111-06801 | TORNILLO BOLT, HEX. SOCKET BUTTON | 4 | | | | |
| 10 | 1MS-E4613-00 | JUNTA, TUBO DE ESCAPE GASKET, EXHAUST PIPE | 1 | | | | |
| 11 | 95702-08500 | TUERCA DE BRIDA NUT, FLANGE | 2 | | | | |
| 12 | 95817-10040 | TORNILLO BOLT, FLANGE | 1 | | | | |
| 13 | 95817-08040 | TORNILLO BOLT, FLANGE | 2 | | | | |

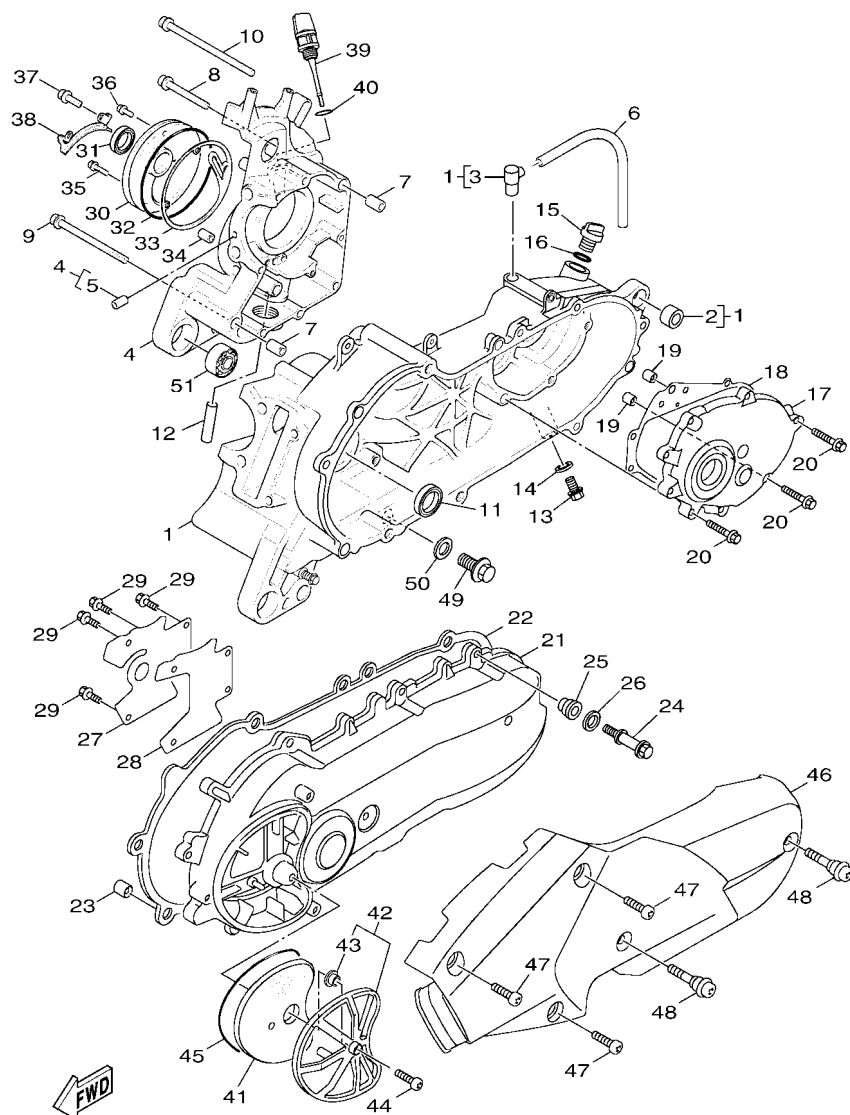


BA41261-S080

FIG. 8 CARTER

CRANKCASE

| REF. N° | CODIGO N° PART NO. | DESCRIPCION DESCRIPTION | BA41 | | | | OBSERVACIONES REMARKS |
|---------|--------------------|--|------|--|--|--|-----------------------|
| 1 | 2JS-WE511-00 | CARTER, MANIVELA 1 CRANKCASE 1 | 1 | | | | |
| 2 | 4X6-F2216-00 | .BUJE DEL AMORTIGUADOR TRASERO .BUSH, REAR SHOCK ABSORBER | 1 | | | | |
| 3 | 5CA-E5371-00 | .RESPIRADERO .BREATHER | 1 | | | | |
| 4 | 5S9-WE512-00 | CARTER 2 CRANKCASE 2 | 1 | | | | |
| 5 | 5ML-E5138-00 | .BOQUILLA 1 .NOZZLE 1 | 1 | | | | |
| 6 | 90446-13803 | TUBO RESEIRADERO HOSE | 1 | | | | |
| 7 | 91810-14807 | PASADOR DE CLAVIJA PIN, DOWEL | 2 | | | | |
| 8 | 90105-06808 | TORNILLO BOLT, FLANGE | 6 | | | | |
| 9 | 90105-06810 | TORNILLO BOLT, FLANGE | 1 | | | | |
| 10 | 90105-06817 | TORNILLO BOLT, FLANGE | 1 | | | | |
| 11 | 93102-22843 | SELLO ACEITE OIL SEAL | 1 | | | | |
| 12 | 5ML-E3416-00 | TUBO DE ACEITE 1 PIPE, OIL 1 | 1 | | | | |
| 13 | 95817-08016 | TORNILLO BOLT, FLANGE | 1 | | | | |
| 14 | 90430-08816 | JUNTA GASKET | 1 | | | | |
| 15 | 4Y4-E5363-00 | TAPON DE ACEITE PLUG, OIL | 1 | | | | |
| 16 | 93210-14805 | ANILLO O O-RING | 1 | | | | |
| 17 | 2JS-E5421-00 | TAPA DE CARTER DERECHA COVER, CRANKCASE 2 | 1 | | | | |
| 18 | 5S9-E5461-00 | JUNTA TAPA CARTER DERECHO 2 GASKET, CRANKCASE COVER 2 | 1 | | | | |
| 19 | 91810-14807 | PASADOR DE CLAVIJA PIN, DOWEL | 2 | | | | |
| 20 | 90105-06895 | TORNILLO BOLT, FLANGE | 8 | | | | |
| 21 | 2UB-E5411-00 | CUBIERTA DE CARTER 1 COVER, CRANKCASE 1 | 1 | | | | |
| 22 | 2UB-E5451-00 | EMPAQ DE CUBIERTA DE CARTER GASKET, CRANKCASE COVER 1 | 1 | | | | |
| 23 | 91810-14807 | PASADOR DE CLAVIJA PIN, DOWEL | 2 | | | | |
| 24 | 5ML-E5481-00 | PERNO 1 BOLT 1 | 8 | | | | |
| 25 | 5ML-E5422-00 | BUJE BUSH | 8 | | | | |
| 26 | 5ML-E5158-00 | ARANDELA WASHER | 8 | | | | |
| 27 | 5ML-E5191-00 | PLACA PLATE | 1 | | | | |

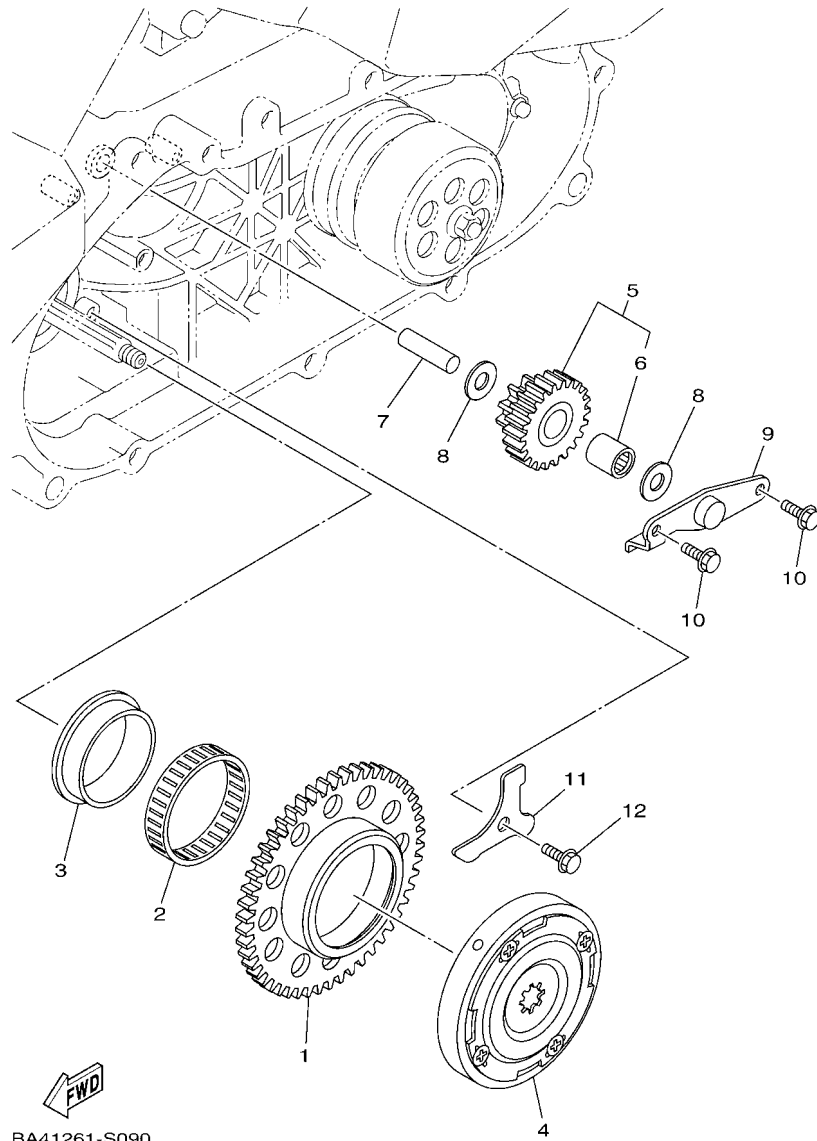


BA41261-S080

FIG. 8 CARTER

CRANKCASE

| REF. N° | CODIGO N° PART NO. | DESCRIPCION DESCRIPTION | BA41 | | | | OBSERVACIONES REMARKS |
|---------|--------------------|--|------|--|--|--|-----------------------|
| 28 | 5ML-E5455-00 | EMPAQUE 1 GASKET 1 | 1 | | | | |
| 29 | 95027-06010 | PERNO, DE BRIDA BOLT, FLANGE | 4 | | | | |
| 30 | 5ML-E5417-00 | CUBIERTA DE TAPA COVER, CAP | 1 | | | | |
| 31 | 93102-19293 | SELLO ACEITE OIL SEAL | 1 | | | | |
| 32 | 93211-07801 | ANILLO O O-RING | 1 | | | | |
| 33 | 5ML-E5453-00 | EMPAQ GASKET | 1 | | | | |
| 34 | 99480-05010 | PASADOR PIN | 1 | | | | |
| 35 | 90105-06809 | TORNILLO BOLT, FLANGE | 2 | | | | |
| 36 | 90105-06807 | TORNILLO BOLT, FLANGE | 1 | | | | |
| 37 | 90105-06806 | TORNILLO BOLT, FLANGE | 1 | | | | |
| 38 | 5ML-E5113-00 | PLACA PLATE | 1 | | | | |
| 39 | 5S9-E5362-00 | TAPON DEL NIVEL DE ACEITE PLUG, OIL LEVEL | 1 | | | | |
| 40 | 5ML-E3769-00 | ANILLO O O-RING | 1 | | | | |
| 41 | 5ML-E5407-00 | ELEMENTO 1 ELEMENT 1 | 1 | | | | |
| 42 | 5ML-E5404-00 | COJINETE DE RODILLOS GUIDE, ELEMENT | 1 | | | | |
| 43 | 90387-06819 | .ESPACIADOR .COLLAR | 1 | | | | |
| 44 | 90154-06826 | TORNILLO DE LIGAR SCREW, BINDING | 1 | | | | |
| 45 | 5ML-E5472-00 | SELLO DE CONDUCTO DE AIRE SEAL, AIR DUCT | 1 | | | | |
| 46 | 2JS-XE543-00 | CUBIERTA DE CARTER 3 COVER, CRANKCASE 3 | 1 | | | | |
| 47 | 90154-06827 | TORNILLO DE LIGAR SCREW, BINDING | 3 | | | | |
| 48 | 4DM-E5481-00 | PERNO 1 BOLT 1 | 2 | | | | |
| 49 | 90340-12802 | TORNILLO, DE DRENAJE PLUG, STRAIGHT SCREW | 1 | | | | |
| 50 | 90201-12172 | ARANDELA PLANA WASHER, PLATE | 1 | | | | |
| 51 | 93306-003Y4 | COJINETE BEARING | 2 | | | | |

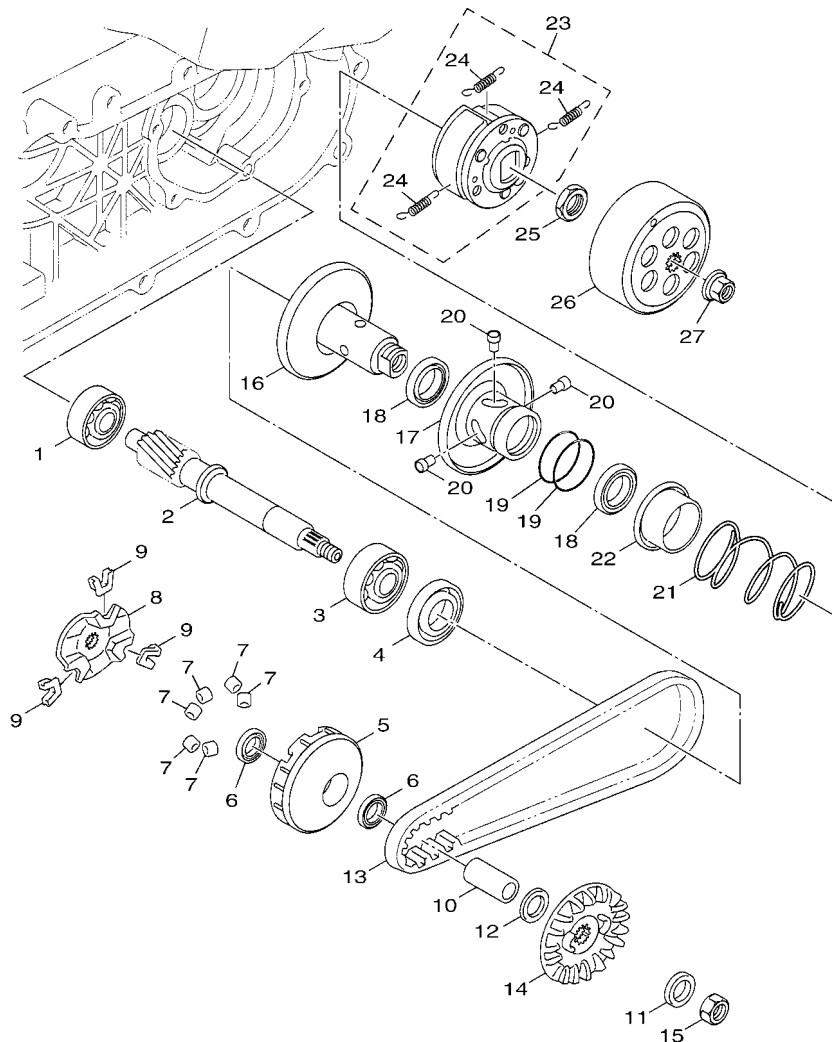


BA41261-S090

FIG. 9 ARRANQUE

STARTER

| REF. N° | CODIGO N° PART NO. | DESCRIPCION DESCRIPTION | BA41 | | | | OBSERVACIONES REMARKS |
|---------|--------------------|---|------|--|--|--|-----------------------|
| 1 | 5S9-E5524-00 | RUEDA DE ARRANQUE WHEEL, STARTER | 1 | | | | |
| 2 | 93310-450X2 | COJINETE DE RODILLOS BEARING | 1 | | | | |
| 3 | 5LW-E5538-00 | COPA 2 BOSS, GEAR 2 | 1 | | | | |
| 4 | 5TY-E5570-01 | EMBRAGUE DEL ARRANQUE COMPLETA STARTER CLUTCH ASSY | 1 | | | | |
| 5 | 5S9-E5650-00 | ENGRENAJE NEUTRO COMPLETO IDLE GEAR ASSY | 1 | | | | |
| 6 | 93315-110Y6 | .COJINETE DE RODILLOS .BEARING | 1 | | | | |
| 7 | 5CA-E5521-00 | EJE 1 SHAFT 1 | 1 | | | | |
| 8 | 90201-108A3 | ARANDELA PLANA WASHER, PLATE | 2 | | | | |
| 9 | 5S9-E5532-00 | PLACA DE ENGRENAJE NEUTRO PLATE, IDLE GEAR | 1 | | | | |
| 10 | 95027-06012 | PERNO, DE BRIDA BOLT, FLANGE | 2 | | | | |
| 11 | 5TY-E5645-00 | FLACA PLATE | 1 | | | | |
| 12 | 95027-06012 | PERNO, DE BRIDA BOLT, FLANGE | 1 | | | | |

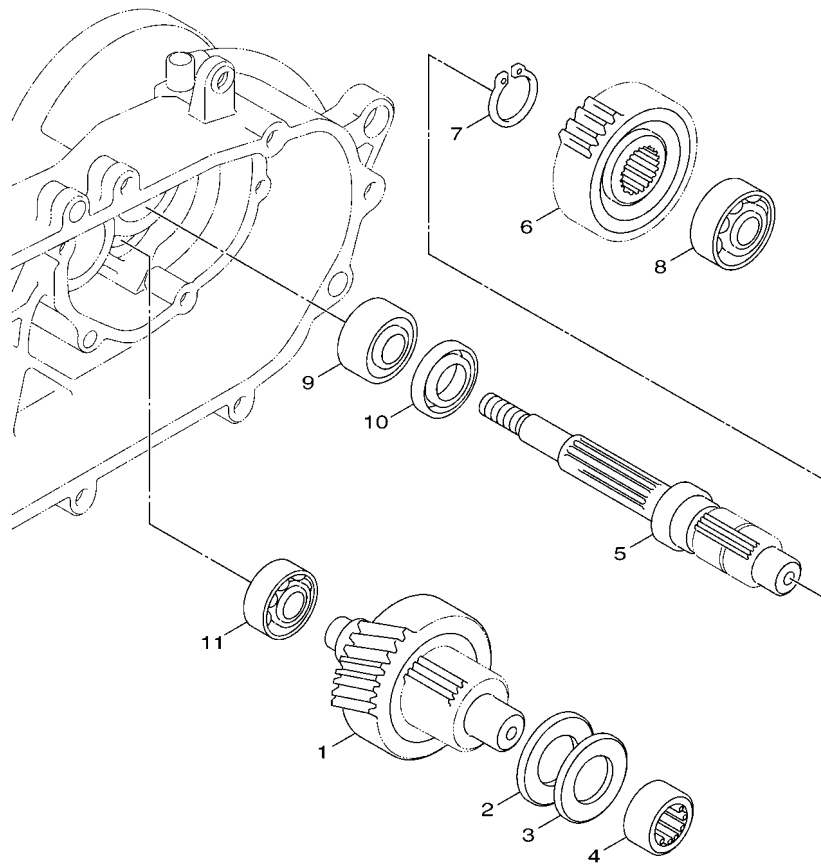


FWD
BA41261-S100

FIG. 10 EMBRAGUE

CLUTCH

| REF. N° | CODIGO N° PART NO. | DESCRIPCION DESCRIPTION | BA41 | | | OBSERVACIONES REMARKS |
|---------|--------------------|---|------|--|--|-----------------------|
| 1 | 93306-203YS | COJINETE BEARING | 1 | | | |
| 2 | 2JS-E6111-00 | ENGRANAJE TRACC.PRIMARIA GEAR, PRIMARY DRIVE | 1 | | | |
| 3 | 93306-272X0 | COJINETE BEARING | 1 | | | |
| 4 | 93102-22800 | SELLO ACEITE OIL SEAL | 1 | | | |
| 5 | 2JS-E7620-00 | ROLDANA PRIMARIA MOVIL PRIMARY SLIDING SHEAVE COMP. | 1 | | | |
| 6 | 93109-21800 | SELLO ACEITE OIL SEAL | 2 | | | |
| 7 | 5ML-E7632-00 | CONTRAPESO WEIGHT | 6 | | | |
| 8 | 5ML-E7623-21 | LEVA CAM | 1 | | | |
| 9 | 4CW-E7653-00 | CORREDERA SLIDER | 3 | | | |
| 10 | 90387-16801 | ESPACIADOR COLLAR | 1 | | | |
| 11 | 90201-120A5 | ARANDELA PLANA WASHER, PLATE | 1 | | | |
| 12 | 90201-16801 | ARANDELA PLANA WASHER, PLATE | 1 | | | |
| 13 | 2JS-E7641-10 | CORREA EN V V-BELT | 1 | | | |
| 14 | 2JS-E7611-00 | PISCO FIXADOR DE POREA SHEAVE, PRIMARY FIXED | 1 | | | |
| 15 | 90170-12800 | TUERCA NUT | 1 | | | |
| 16 | 2JS-WE766-01 | ROLDANA SECUNDARIA FIJA COMPL. SECONDARY FIXED SHEAVE COMP. | 1 | | | |
| 17 | 2JS-E7670-00 | ROLDANA SECUNDARIA CORREDIZA SECONDARY SLIDING SHEAVE | 1 | | | |
| 18 | 93104-41801 | SELLO ACEITE OIL SEAL | 2 | | | |
| 19 | 93210-43800 | ANILLO O O-RING | 2 | | | |
| 20 | 2JS-E7664-00 | PASADOR DE GUIA PIN, GUIDE | 3 | | | |
| 21 | 90501-43805 | RESORTE DE COMPRESION SPRING, COMPRESSION | 1 | | | |
| 22 | 2JS-E7684-00 | ASIENTO DE RESORTE SECUNDARIO SEAT, SECONDARY SPRING | 1 | | | |
| 23 | 2JS-E6620-01 | PORTADOR DE EMBRAGUE COMPLETO CLUTCH CARRIER ASSY | 1 | | | |
| 24 | 4CW-E6626-00 | .RESORTE CONTRAPESO EMBRAGUE 1 .SPRING, CLUTCH WEIGHT 1 | 3 | | | |
| 25 | 90170-36279 | TUERCA NUT | 1 | | | |
| 26 | 2JS-E6611-00 | CAJA DE EMBRAGUE COMPLETO CLUTCH HOUSING COMP. | 1 | | | |
| 27 | 90179-14427 | TUERCA NUT | 1 | | | |

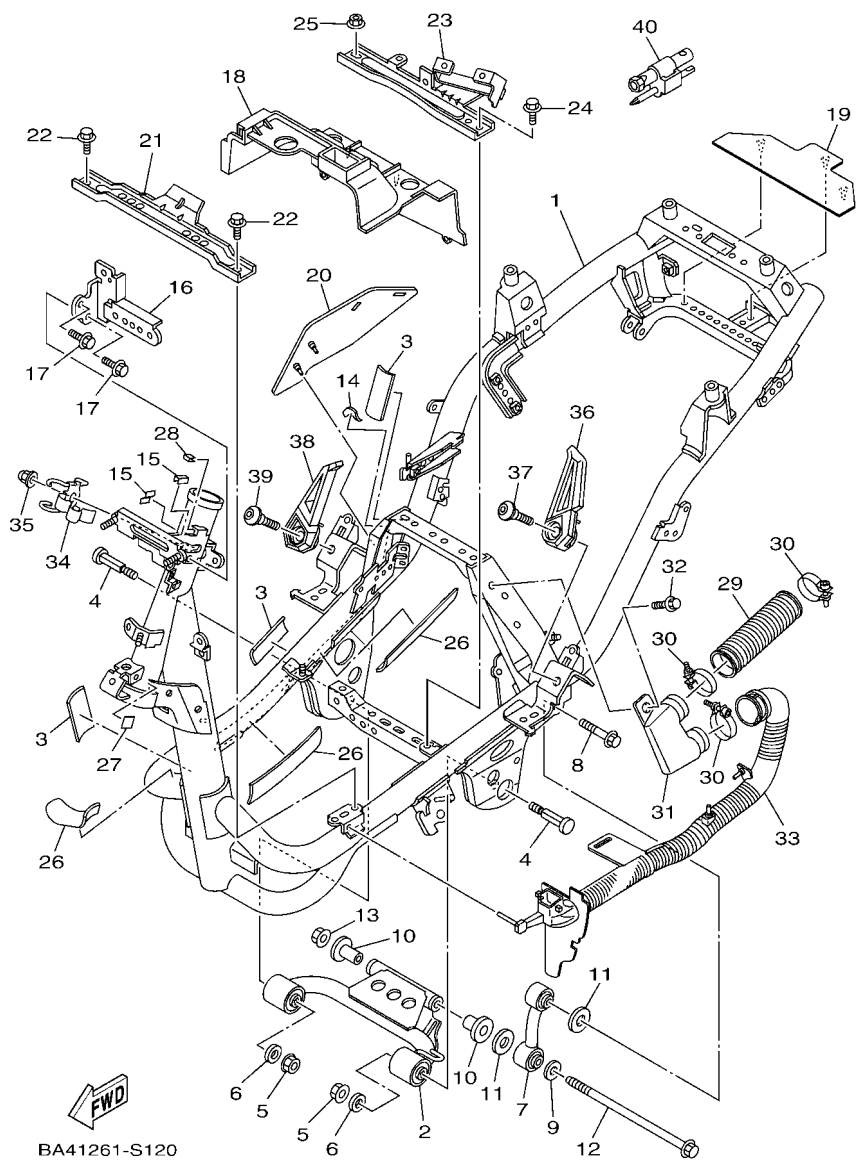


5S91414-G111

FIG. 11 TRANSMISSION

TRANSMISSION

| REF. N° | CODIGO N° PART NO. | DESCRIPCION DESCRIPTION | BA41 | | | | OBSERVACIONES REMARKS |
|---------|--------------------|---|------|--|--|--|-----------------------|
| 1 | 2JS-E7410-00 | EJE PRINCIPAL COMPLETO(11/40T) MAIN AXLE COMP. (11T/40T) | 1 | | | | |
| 2 | 90201-15831 | ARANDELA PLANA WASHER, PLATE | 1 | | | | |
| 3 | 90201-15803 | ARANDELA PLANA WASHER, PLATE | 1 | | | | |
| 4 | 93311-315Y2 | COJINETE DE RODILLOS BEARING | 1 | | | | |
| 5 | 5S9-E7421-00 | EJE SECUNDARIO AXLE, DRIVE | 1 | | | | |
| 6 | 2JS-E7211-00 | ENGRANAJE RUEDA DE 1RA (44T) GEAR, 1ST WHEEL (44T) | 1 | | | | |
| 7 | 99009-25400 | PRESILLA REDONDA CIRCLIP | 1 | | | | |
| 8 | 93306-303Y8 | COJINETE BEARING | 1 | | | | |
| 9 | 93306-272Y0 | COJINETE BEARING | 1 | | | | |
| 10 | 93102-32800 | SELLO ACEITE OIL SEAL | 1 | | | | |
| 11 | 93306-301YL | COJINETE BEARING | 1 | | | | |

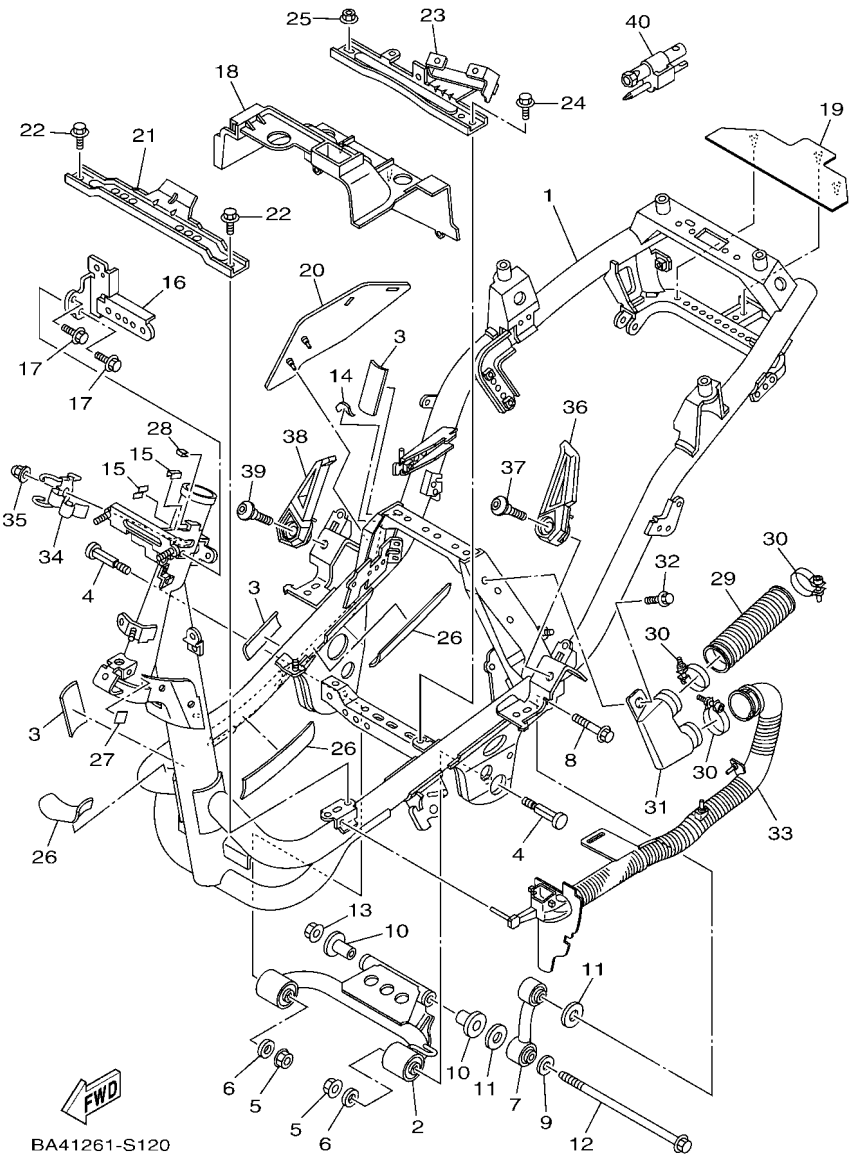


BA41261-S120

FIG. 12 CUADRO

FRAME

| REF. N° | CODIGO N° PART NO. | DESCRIPCION DESCRIPTION | BA41 | | | OBSERVACIONES REMARKS |
|---------|--------------------|---|------|--|--|-----------------------|
| 1 | BA4-F1110-10 | ARMAZON COMPLETO FRAME COMP. | 1 | | | |
| 2 | 5S9-F1420-00 | SOPORTE DE MOTOR COMPLETO ENGINE BRACKET COMP. 2 | 1 | | | |
| 3 | 5ML-F117G-00 | PROTECTOR PROTECTOR | 3 | | | |
| 4 | 3UH-F1481-00 | PERNO DE MONTAJE DE MOTOR 1 BOLT, ENGINE MOUNTING 1 | 2 | | | |
| 5 | 90185-10801 | TUERCA AUTOBLOCANTE NUT, SELF-LOCKING | 2 | | | |
| 6 | 90201-105A2 | ARANDELA PLANA WASHER, PLATE | 2 | | | |
| 7 | 5ML-F1480-10 | SOPORTE DE MOTOR STAY, ENGINE | 1 | | | |
| 8 | 5S9-F1482-00 | PERNO DE MONTAJE DE MOTOR 2 BOLT, ENGINE MOUNTING 2 | 1 | | | |
| 9 | 90201-105A2 | ARANDELA PLANA WASHER, PLATE | 1 | | | |
| 10 | 5ML-F1544-01 | COLLAR 1 COLLAR 1 | 2 | | | |
| 11 | 90202-15803 | ARANDELA DE PLANA WASHER, PLATE | 2 | | | |
| 12 | 5ML-F1481-00 | PERNO DE MONTAJE DE MOTOR 1 BOLT, ENGINE MOUNTING 1 | 1 | | | |
| 13 | 90185-10801 | TUERCA AUTOBLOCANTE NUT, SELF-LOCKING | 1 | | | |
| 14 | 5ML-F836U-00 | AMORTIGUADOR DE UBICACION 2 DAMPER, LOCATING 2 | 1 | | | |
| 15 | 90520-01801 | EQUILIBRIO, CUBIERTA DAMPER, PLATE | 2 | | | |
| 16 | 2JS-F1415-00 | SOPORTE SUPERIOR DELANTERO 1 BRACKET, FRONT UPPER 1 | 1 | | | |
| 17 | 95822-06012 | TORNILLO DE REBORDE BOLT, FLANGE | 2 | | | |
| 18 | 2JS-F842M-00 | CUBIERTA 1 COVER 1 | 1 | | | |
| 19 | 2JS-F1561-00 | CHARNELA 2 FLAP 2 | 1 | | | |
| 20 | 2JS-F162H-00 | CHARNELA 3 FLAP 3 | 1 | | | |
| 21 | 1P3-F112K-30 | SOPORTE 5 BRACKET 5 | 1 | | | |
| 22 | 95807-06010 | TORNILLO BOLT, FLANGE | 2 | | | |
| 23 | 2JS-F116M-00 | SOPORTE 10 BRACKET 10 | 1 | | | |
| 24 | 95807-06010 | TORNILLO BOLT, FLANGE | 1 | | | |
| 25 | 95702-06500 | TUERCA DE BRIDA NUT, FLANGE | 1 | | | |
| 26 | 1P3-F4747-01 | AMORTIGUADOR DE ASIENTO DAMPER, SEAT | 3 | | | |
| 27 | 90520-01801 | EQUILIBRIO, CUBIERTA DAMPER, PLATE | 1 | | | |



BA41261-S120

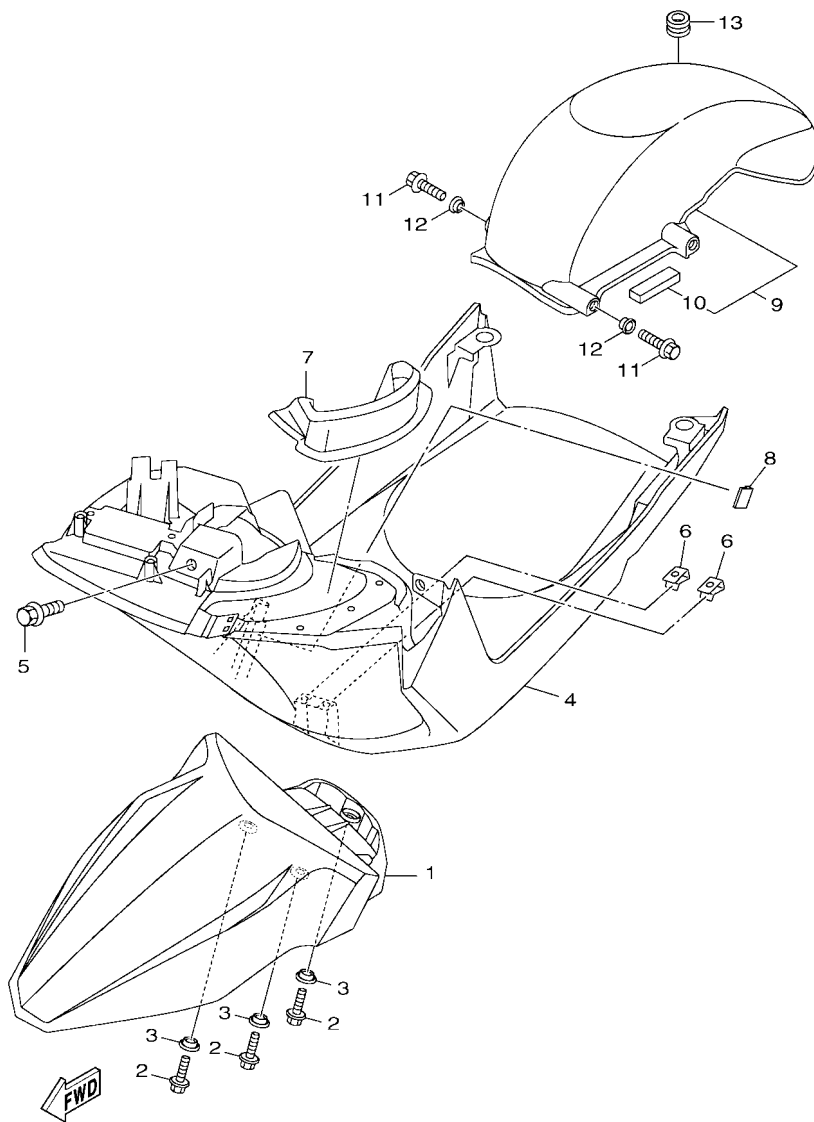
FIG. 12 CUADRO

FRAME

| REF. N° | CODIGO N° PART NO. | DESCRIPCION DESCRIPTION | BA41 | | | | OBSERVACIONES REMARKS |
|---------|--------------------|--|------|--|--|--|-----------------------|
| 28 | 90520-01001 | EQUILIBRIO, CUBIERTA DAMPER, PLATE | 1 | | | | |
| 29 | BA4-F110G-00 | CONDUCTO 2 DUCT 2 | 1 | | | | |
| 30 | 58P-F1823-00 | GRAMPA DE MANGUERA CLAMP, HOSE | 3 | | | | |
| 31 | BA4-F110F-00 | CONDUCTO 1 DUCT 1 | 1 | | | | |
| 32 | 90109-06885 | PERNO BOLT | 1 | | | | |
| 33 | BA4-F838U-00 | CONDUCTO 4 DUCT 4 | 1 | | | | |
| 34 | 2JS-F5886-00 | SOPORTE DE MANGUERA FRENO HOLDER, BRAKE HOSE | 1 | | | | |
| 35 | 90176-06055 | TUERCA CORONA NUT, CROWN | 1 | | | | |
| 36 | BA4-F7430-00 | APOYAPIE POSTERIOR COMPLETO 1 REAR FOOTREST ASSY 1 | 1 | | | | |
| 37 | 52S-F7117-00 | PERNO DE PUNTAL PRINCIPAL BOLT, MAIN STAND | 1 | | | | |
| 38 | BA4-F7440-00 | APOYAPIE POSTERIOR COMPLETO 2 REAR FOOTREST ASSY 2 | 1 | | | | |
| 39 | 52S-F7117-00 | PERNO DE PUNTAL PRINCIPAL BOLT, MAIN STAND | 1 | | | | |
| 40 | 24P-F8100-00 | JUEGO DE HERRAMIENTAS TOOL KIT | 1 | | | | |

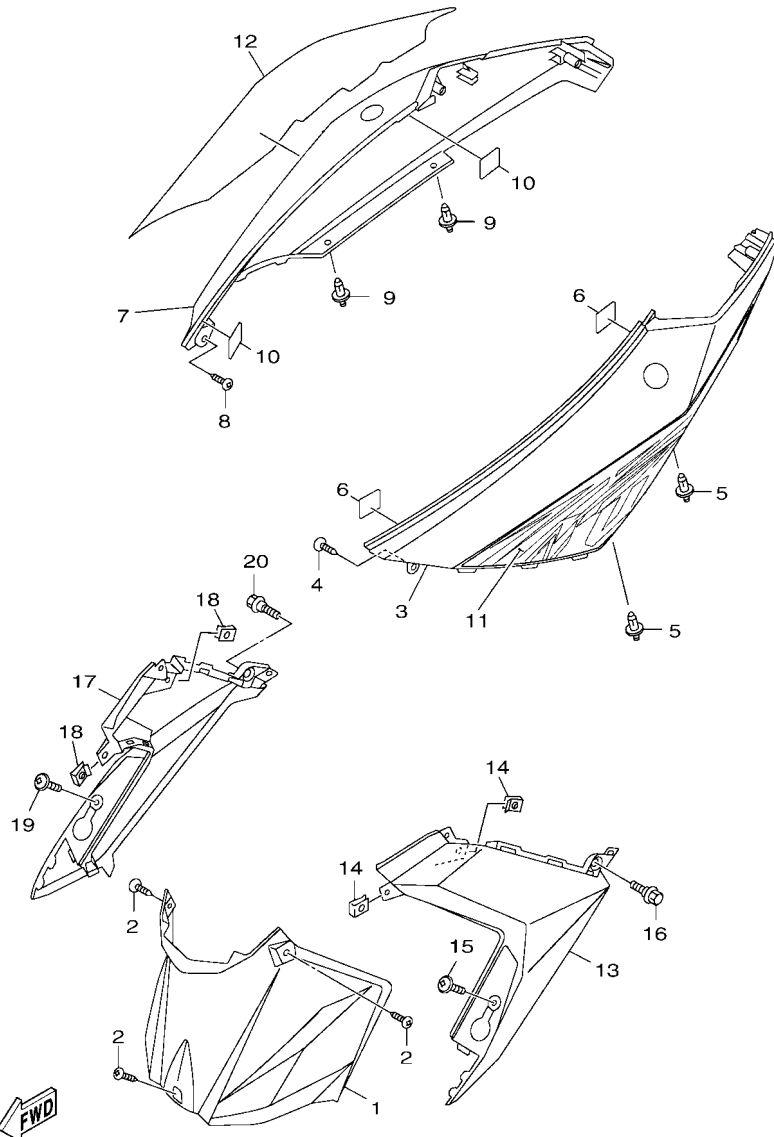
FIG. 13 GUARDABARRO DELANTERO

FRONT FENDER



BA41261-S130

| REF. N° | CODIGO N° PART NO. | DESCRIPCION DESCRIPTION | BA41 | | | | OBSERVACIONES REMARKS |
|---------|--------------------|--|------|--|--|--|-----------------------|
| 1 | 2JS-F1511-00 | GUARDABARRO DELANTERO FENDER, FRONT | 1 | | | | |
| 2 | 90119-06821 | TORNILLO CON ARANDELA BOLT, WITH WASHER | 3 | | | | |
| 3 | 90387-068F8 | ESPACIADOR COLLAR | 3 | | | | |
| 4 | 2JS-F1552-00 | GUARDABARRO FENDER, INNER | 1 | | | | |
| 5 | 90119-06821 | TORNILLO CON ARANDELA BOLT, WITH WASHER | 1 | | | | |
| 6 | 90183-04039 | TUERCA DE RESORTE NUT, SPRING | 2 | | | | |
| 7 | 2JS-F1521-00 | CHARNELA DE GUARDABARRO FLAP, FRONT FENDER | 1 | | | | |
| 8 | 90520-01801 | EQUILIBRIO, CUBIERTA DAMPER, PLATE | 1 | | | | |
| 9 | 2JS-XF161-00 | GUARDABARRO TRASERO FENDER, REAR | 1 | | | | |
| 10 | 5CA-F1639-00 | .AMORTIGUADOR 2 .DAMPER 2 | 1 | | | | |
| 11 | 95807-06016 | TORNILLO BOLT, FLANGE | 2 | | | | |
| 12 | 90387-06868 | ESPACIADOR COLLAR | 2 | | | | |
| 13 | 90480-12813 | TAPON GROMMET | 1 | | | | |



BA41261-S140

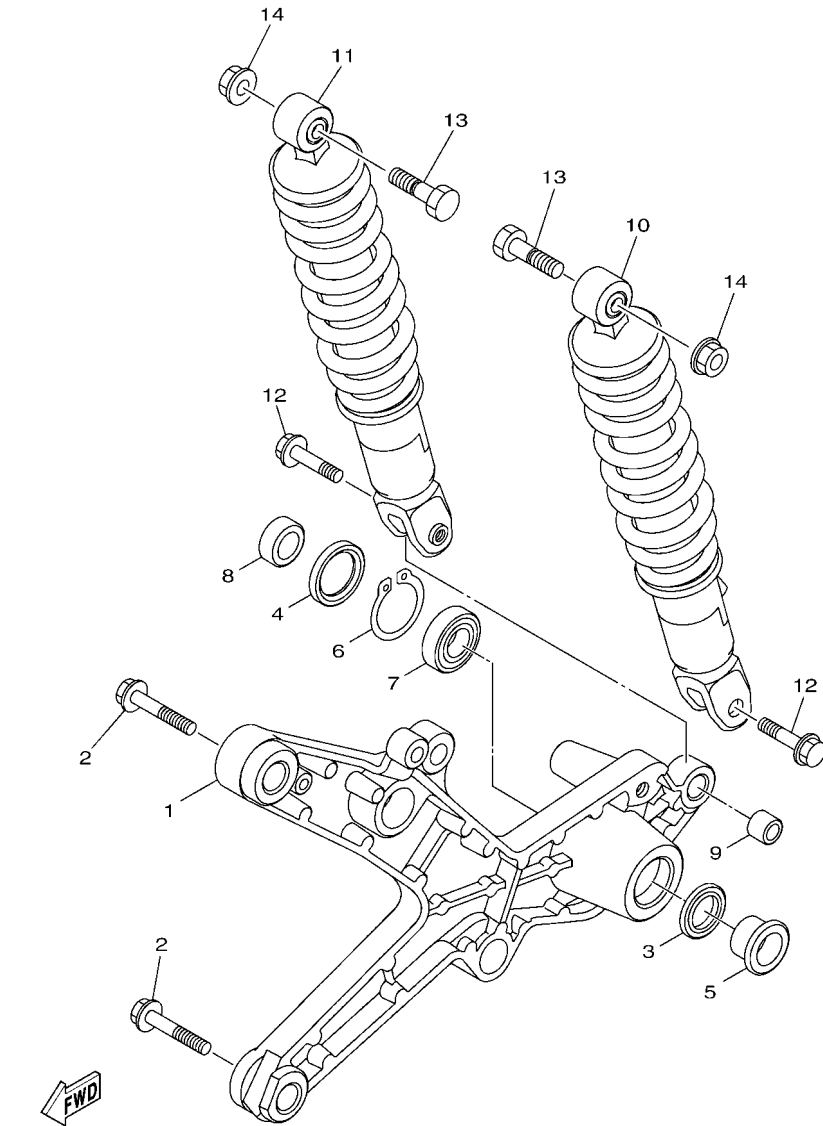
FIG. 14 CUBIERTA LATERAL

SIDE COVER

| REF. N° | CODIGO N° PART NO. | DESCRIPCION DESCRIPTION | BA41 | | | OBSERVACIONES REMARKS |
|---------|--------------------|--|------|--|--|-----------------------------|
| 1 | 2JS-F1711-00 | CUBIERTA LATERAL 1 COVER, SIDE 1 | 1 | | | |
| 2 | 97707-50012 | TORNILLO SCREW, TRUSS HEAD TAPPING | 3 | | | |
| 3 | BA4-F1721-10-P0 | CUBIERTA LATERAL 2 COVER, SIDE 2 | 1 | | | UR PARA SMX UR FOR SMX |
| | BA4-F1721-10-P1 | CUBIERTA LATERAL 2 COVER, SIDE 2 | 1 | | | UR PARA VRC7 UR FOR VRC7 |
| | BA4-F1721-10-P2 | CUBIERTA LATERAL 2 COVER, SIDE 2 | 1 | | | UR PARA BWC1 UR FOR BWC1 |
| | BA4-F1721-10-P3 | CUBIERTA LATERAL 2 COVER, SIDE 2 | 1 | | | UR PARA VOS2 UR FOR VOS2 |
| 4 | 97707-50016 | TORNILLO SCREW, TRUSS HEAD TAPPING | 1 | | | |
| 5 | 90269-06803 | REMACHE RIVET | 2 | | | |
| 6 | 90520-01801 | EQUILIBRIO, CUBIERTA DAMPER, PLATE | 2 | | | |
| 7 | BA4-F1731-10-P0 | TAPA LATERAL 3 COVER, SIDE 3 | 1 | | | UR PARA SMX UR FOR SMX |
| | BA4-F1731-10-P1 | TAPA LATERAL 3 COVER, SIDE 3 | 1 | | | UR PARA VRC7 UR FOR VRC7 |
| | BA4-F1731-10-P2 | TAPA LATERAL 3 COVER, SIDE 3 | 1 | | | UR PARA BWC1 UR FOR BWC1 |
| | BA4-F1731-10-P3 | TAPA LATERAL 3 COVER, SIDE 3 | 1 | | | UR PARA VOS2 UR FOR VOS2 |
| 8 | 97707-50016 | TORNILLO SCREW, TRUSS HEAD TAPPING | 1 | | | |
| 9 | 90269-06803 | REMACHE RIVET | 2 | | | |
| 10 | 90520-01801 | EQUILIBRIO, CUBIERTA DAMPER, PLATE | 2 | | | |
| 11 | BA4-F1781-00 | EMBLEMA 1 EMBLEM 1 | 1 | | | UR PARA SMX UR FOR SMX |
| | BA4-F1781-10 | EMBLEMA 1 EMBLEM 1 | 1 | | | UR PARA VRC7 UR FOR VRC7 |
| | BA4-F1781-20 | EMBLEMA 1 EMBLEM 1 | 1 | | | UR PARA BWC1 UR FOR BWC1 |
| | BA4-F1781-30 | EMBLEMA 1 EMBLEM 1 | 1 | | | UR PARA VOS2 UR FOR VOS2 |
| 12 | BA4-F1782-00 | EMBLEMA 2 EMBLEM 2 | 1 | | | UR PARA SMX UR FOR SMX |
| | BA4-F1782-10 | EMBLEMA 2 EMBLEM 2 | 1 | | | UR PARA VRC7 UR FOR VRC7 |
| | BA4-F1782-20 | EMBLEMA 2 EMBLEM 2 | 1 | | | UR PARA BWC1 UR FOR BWC1 |
| | BA4-F1782-30 | EMBLEMA 2 EMBLEM 2 | 1 | | | UR PARA VOS2 UR FOR VOS2 |
| 13 | 2JS-F7413-10 | CUBIERTA DE APOYAPIE COVER, FOOTREST | 1 | | | |
| 14 | 90183-05816 | TUERCA DE RESORTE NUT, SPRING | 2 | | | |
| 15 | 90159-06813 | TORNILLO CON VALONA SCREW, WITH WASHER | 1 | | | |

FIG. 15 BRAZO TRASERO & SUSPENSION

REAR ARM & SUSPENSION

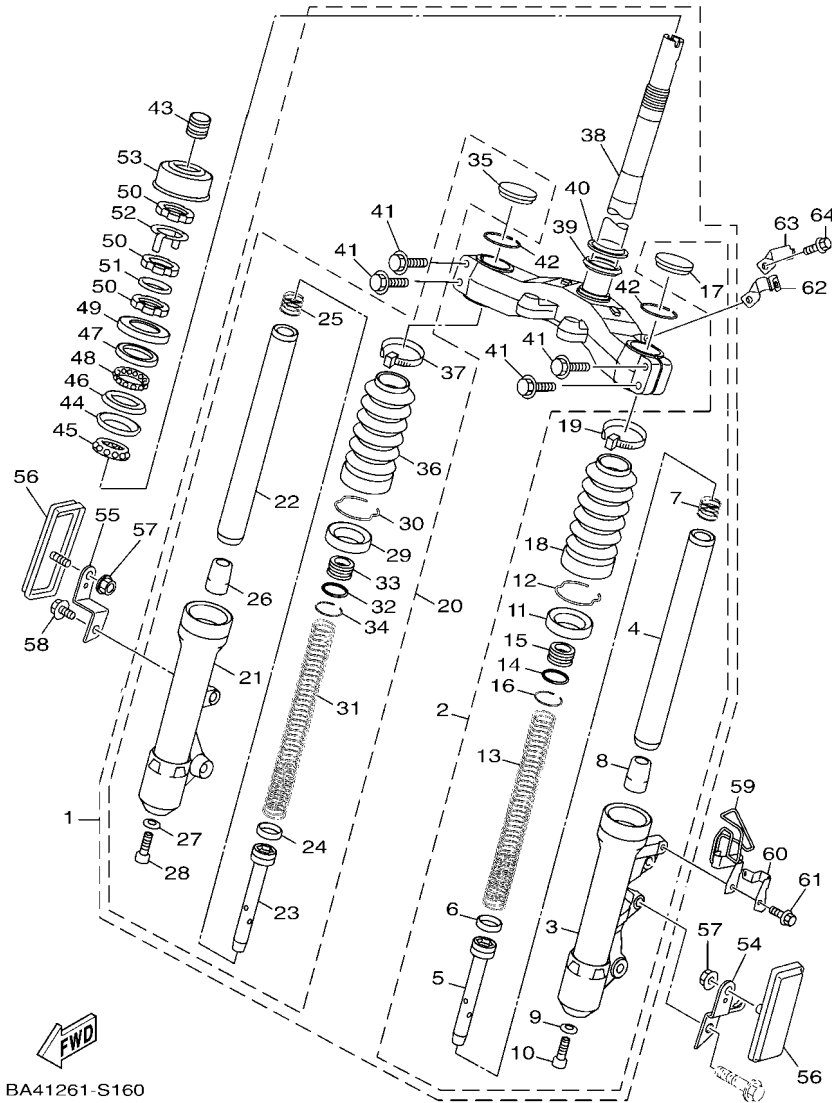


BA41261-S150

| REF. N° | CODIGO N° PART NO. | DESCRIPCION DESCRIPTION | BA41 | | | | OBSERVACIONES REMARKS |
|---------|--------------------|--|------|--|--|--|-----------------------|
| 1 | 2JS-F2171-00 | BRAZO POSTERIOR 1 ARM, REAR 1 | 1 | | | | |
| 2 | 95827-08045 | TORNILLO BOLT, FLANGE | 2 | | | | |
| 3 | 93109-28811 | SELLO ACEITE OIL SEAL | 1 | | | | |
| 4 | 93106-28809 | SELLO ACEITE OIL SEAL | 1 | | | | |
| 5 | 90387-153N8 | ESPACIADOR COLLAR | 1 | | | | |
| 6 | 99009-42500 | PRESILLA REDONDA CIRCLIP | 1 | | | | |
| 7 | 93306-302X1 | COJINETE BEARING | 1 | | | | |
| 8 | 90387-15813 | ESPACIADOR COLLAR | 1 | | | | |
| 9 | 4X6-F2216-00 | BUJE DEL AMORTIGUADOR TRASERO BUSH, REAR SHOCK ABSORBER | 1 | | | | |
| 10 | BA4-F2210-00 | AMORTIGUADOR TRASERO COMPLETO SHOCK ABSORBER ASSY, REAR | 1 | | | | |
| 11 | BA4-F2220-00 | AMORTIGUADOR TRASERO COMPLETO SHOCK ABSORBER ASSY, REAR | 1 | | | | |
| 12 | 90105-088C7 | TORNILLO BOLT, FLANGE | 2 | | | | |
| 13 | 90101-10875 | TORNILLO BOLT | 2 | | | | |
| 14 | 95707-10500 | TUERCA DE BRIDA NUT, FLANGE | 2 | | | | |

FIG. 16 HORQUILLA DELANTERA

FRONT FORK

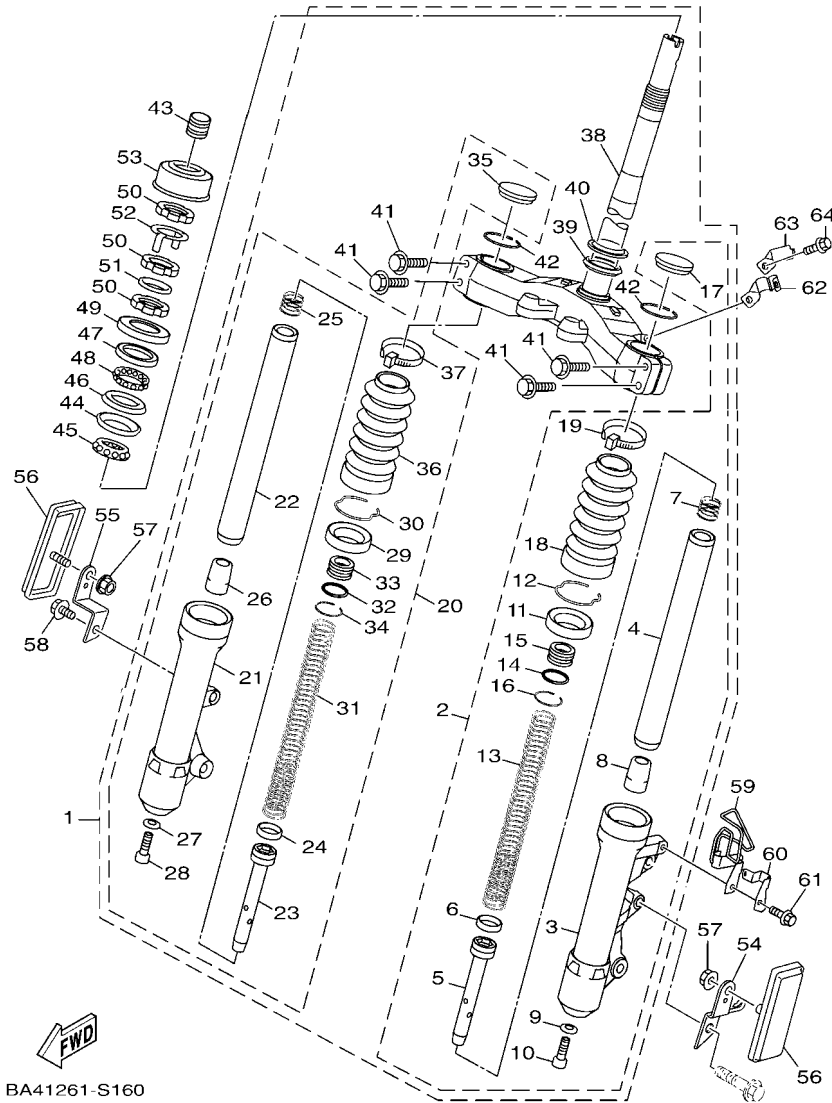


BA41261-S160

| REF. N° | CODIGO N° PART NO. | DESCRIPCION DESCRIPTION | BA41 | | | OBSERVACIONES REMARKS |
|---------|--------------------|---|------|--|--|-----------------------|
| 1 | 2JS-F3100-00 | HORQUILLA DELANTERA COMPLETA FRONT FORK ASSY | 1 | | | |
| 2 | 2JS-F3102-00 | .HORQUILLA DELANTERA COMPL.(MI) .FRONT FORK ASSY (L.H) | 1 | | | |
| 3 | 2JS-F3126-00 | .TUBO EXTERIOR (IZQUIERDO) .TUBE, OUTER (L.H) | 1 | | | |
| 4 | 2JS-F3110-00 | .TUBO INTERIOR COMPLETO 1 .INNER TUBE COMP.1 | 1 | | | |
| 5 | 2JS-F3142-00 | .ASIENTO DEL MUELLE SUPERIOR .SEAT, SPRING UPPER | 1 | | | |
| 6 | 4P9-F318X-00 | .ANILLO DE PISTON .PISTON RING | 1 | | | (KAIFA) |
| 7 | 4C6-F3151-00 | .RESORTE DE REBOTE .SPRING, REBOUND | 1 | | | (KAIFA) |
| 8 | 4P9-F3171-00 | .PISTON HORQUILLA DELANT. .PISTON, FRONT FORK | 1 | | | (KAIFA) |
| 9 | 4P9-F3158-00 | .EMPAQUE .GASKET | 1 | | | (KAIFA) |
| 10 | 4P9-F3181-00 | .TORNILLO CABEZAHEXAGONAL .BOLT, HEXAGON SOCKET HEAD | 1 | | | (KAIFA) |
| 11 | 4C6-F3145-00 | .RETEN DE ACEITE .OIL SEAL | 1 | | | (KAIFA) |
| 12 | 4P9-F3157-00 | .ANILLO DEL PISTON .RING, PISTON | 1 | | | (KAIFA) |
| 13 | 2JS-F3141-00 | .RESORTE HORQUILLA DELANT. .SPRING, FRONT FORK | 1 | | | (KAIFA) |
| 14 | 4C6-F3147-00 | .ARO .O-RING | 1 | | | (KAIFA) |
| 15 | 4P9-F3113-00 | .COLLAR .COLLAR | 1 | | | (KAIFA) |
| 16 | 4P9-F3155-00 | .ANILLO DE FIELTRO .RING, FELT | 1 | | | (KAIFA) |
| 17 | 4P9-F3154-00 | .TAPON TUBO INTERIOR .CAP | 1 | | | (KAIFA) |
| 18 | 2JS-F3191-00 | .FUNDA .BOOT | 1 | | | (KAIFA) |
| 19 | 4C6-F3192-00 | .BANDA .BAND | 1 | | | (KAIFA) |
| 20 | 2JS-F3103-00 | .HORQUILLA DELANTERA COMPL.(MD) .FRONT FORK ASSY (R.H) | 1 | | | (KAIFA) |
| 21 | 2JS-F3136-00 | .TUBO EXTERIOR 2 .TUBE, OUTER 2 | 1 | | | (KAIFA) |
| 22 | 2JS-F3110-00 | .TUBO INTERIOR COMPLETO 1 .INNER TUBE COMP.1 | 1 | | | (KAIFA) |
| 23 | 2JS-F3142-00 | .ASIENTO DEL MUELLE SUPERIOR .SEAT, SPRING UPPER | 1 | | | (KAIFA) |
| 24 | 4P9-F318X-00 | .ANILLO DE PISTON .PISTON RING | 1 | | | (KAIFA) |
| 25 | 4C6-F3151-00 | .RESORTE DE REBOTE .SPRING, REBOUND | 1 | | | (KAIFA) |
| 26 | 4P9-F3171-00 | .PISTON HORQUILLA DELANT. .PISTON, FRONT FORK | 1 | | | (KAIFA) |
| 27 | 4P9-F3158-00 | .EMPAQUE .GASKET | 1 | | | (KAIFA) |

FIG. 16 HORQUILLA DELANTERA

FRONT FORK

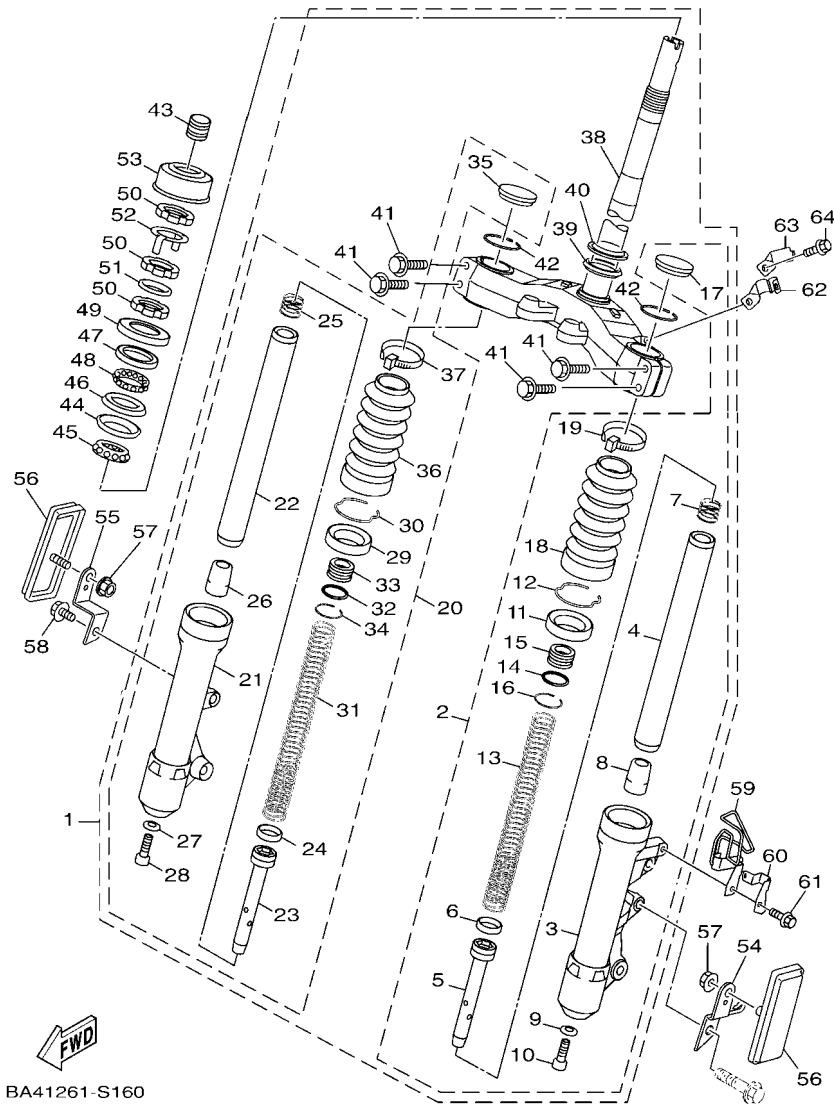


BA41261-S160

| REF. N° | CODIGO N° PART NO. | DESCRIPCION DESCRIPTION | BA41 | | OBSERVACIONES REMARKS |
|---------|--------------------|---|------|--|-----------------------|
| 28 | 4P9-F3181-00 | .TORNILLO CABEZAHEXAGONAL .BOLT, HEXAGON SOCKET HEAD | 1 | | (KAIFA) |
| 29 | 4C6-F3145-00 | .RETEN DE ACEITE .OIL SEAL | 1 | | (KAIFA) |
| 30 | 4P9-F3157-00 | .ANILLO DEL PISTON .RING, PISTON | 1 | | (KAIFA) |
| 31 | 2JS-F3141-00 | .RESORTE HORQUILLA DELANT. .SPRING, FRONT FORK | 1 | | (KAIFA) |
| 32 | 4C6-F3147-00 | .ARO .O-RING | 1 | | (KAIFA) |
| 33 | 4P9-F3113-00 | .COLLAR .COLLAR | 1 | | (KAIFA) |
| 34 | 4P9-F3155-00 | .ANILLO DE FIELTRO .RING, FELT | 1 | | (KAIFA) |
| 35 | 4P9-F3154-00 | .TAPON TUBO INTERIOR .CAP | 1 | | (KAIFA) |
| 36 | 2JS-F3191-00 | .FUNDA .BOOT | 1 | | (KAIFA) |
| 37 | 4C6-F3192-00 | .BANDA .BAND | 1 | | (KAIFA) |
| 38 | 2JS-F3340-00 | .PLATINA INFERIOR COMPLETA .UNDER BRACKET COMP. | 1 | | (KAIFA) |
| 39 | 3KW-F3462-00 | .SELLO PARA POLVO .SEAL, DUST | 1 | | (KAIFA) |
| 40 | 4C6-F3411-10 | .PISTA DE BOLAS 1 .RACE, BALL 1 | 1 | | (KAIFA) |
| 41 | 1CE-F3346-00 | .PERNO 1 .BOLT 1 | 4 | | (KAIFA) |
| 42 | 4P9-F3153-00 | .ANILLO DE ENGANCHE .RING, SNAP | 2 | | (KAIFA) |
| 43 | 10B-F312G-00 | TAPON PLUG | 1 | | (KAIFA) |
| 44 | 4C6-F3412-00 | PISTA DE BOLAS 2 RACE, BALL 2 | 1 | | (KAIFA) |
| 45 | 4C6-F341E-00 | RETEN DE COJINETE RETAINER, BALL BEARING | 1 | | (KAIFA) |
| 46 | 4C6-F3414-00 | BASE DE BOLA 4 RACE, BALL 4 | 1 | | (KAIFA) |
| 47 | 4C6-F3413-00 | BASE DE BOLA 3 RACE, BALL 3 | 1 | | (KAIFA) |
| 48 | 4C6-F341D-00 | RETEN DE COJINETE 2 RETAINER, BALL BEARING 2 | 1 | | (KAIFA) |
| 49 | 4C6-F3416-00 | CUBIERTA DE BASE DE BOLA 2 COVER, BALL RACE 2 | 1 | | (KAIFA) |
| 50 | 90179-25811 | TUERCA NUT | 3 | | (KAIFA) |
| 51 | 90202-26142 | ARANDELA DE PLANA WASHER, PLATE | 1 | | (KAIFA) |
| 52 | 4VP-F3418-00 | ARANDELA ESPECIAL WASHER, SPECIAL | 1 | | (KAIFA) |
| 53 | 41D-F3415-00 | CUBIERTA DE PISTA DE BOLAS 1 COVER, BALL RACE 1 | 1 | | (KAIFA) |
| 54 | 2JS-H5112-00 | SOPORTE DE REFLECTOR 1 BRACKET, REFLECTOR 1 | 1 | | (KAIFA) |

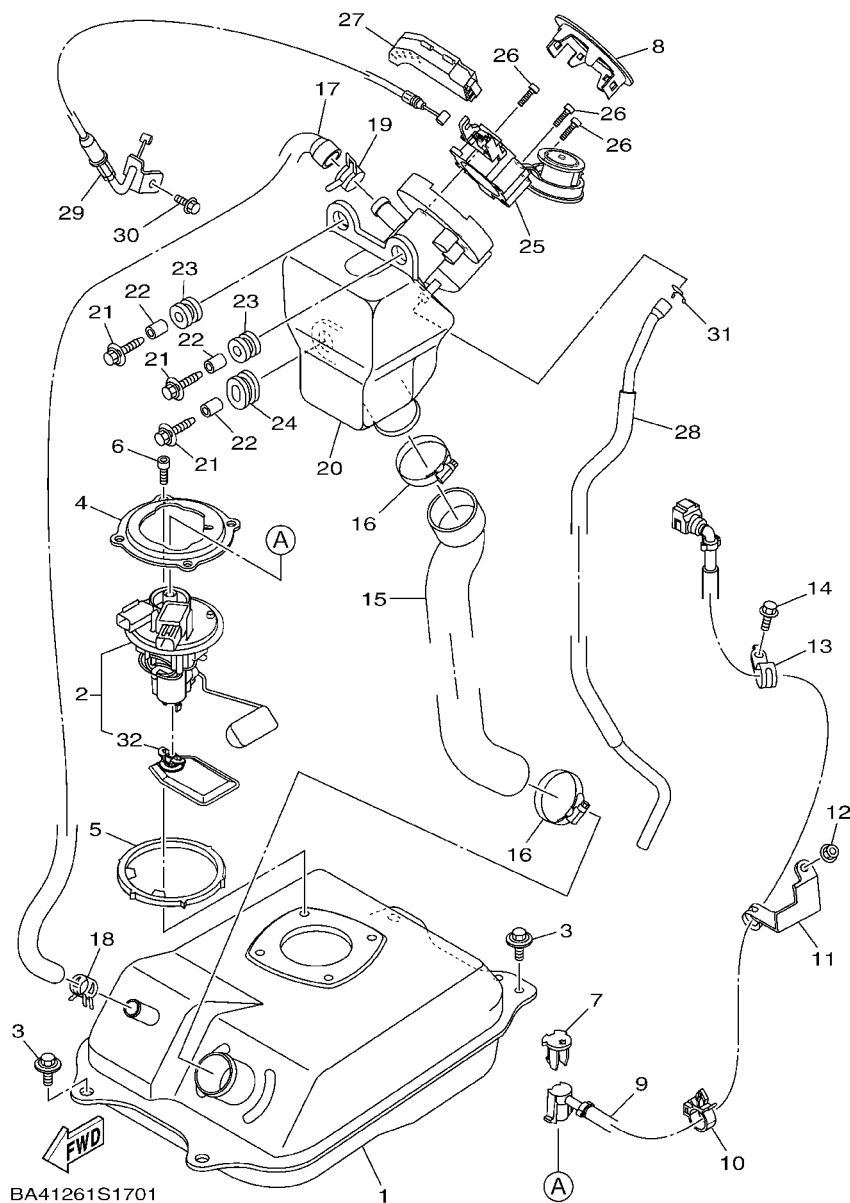
FIG. 16 HORQUILLA DELANTERA

FRONT FORK



BA41261-S160

| REF. N° | CODIGO N° PART NO. | DESCRIPCION DESCRIPTION | BA41 | | | | OBSERVACIONES REMARKS |
|---------|--------------------|---|------|--|--|--|-----------------------|
| 55 | 2JS-H5122-00 | SOPORTE DE REFLECTOR 2 BRACKET, REFLECTOR 2 | 1 | | | | |
| 56 | 1DK-H5111-00 | REFLECTOR DELANTERA 1 REFLECTOR, FRONT 1 | 2 | | | | |
| 57 | 95602-06200 | TUERCA DE AUTO-CIERRE NUT, SELF-LOCKING | 2 | | | | |
| 58 | 95807-06014 | TORNILLO BOLT, FLANGE | 1 | | | | |
| 59 | 2JS-F5875-00 | SOPORTE DE MANGUERA FRENO 1 HOLDER, BRAKE HOSE 1 | 1 | | | | |
| 60 | 2JS-F5875-10 | SOPORTE DE MANGUERA FRENO 1 HOLDER, BRAKE HOSE 1 | 1 | | | | |
| 61 | 95807-06014 | TORNILLO BOLT, FLANGE | 1 | | | | |
| 62 | 2JS-F5876-00 | SOPORTE DE MANGUERA FRENO 2 HOLDER, BRAKE HOSE 2 | 1 | | | | |
| 63 | 2JS-F5876-10 | SOPORTE DE MANGUERA FRENO 2 HOLDER, BRAKE HOSE 2 | 1 | | | | |
| 64 | 95807-06012 | TORNILLO BOLT, FLANGE | 1 | | | | |

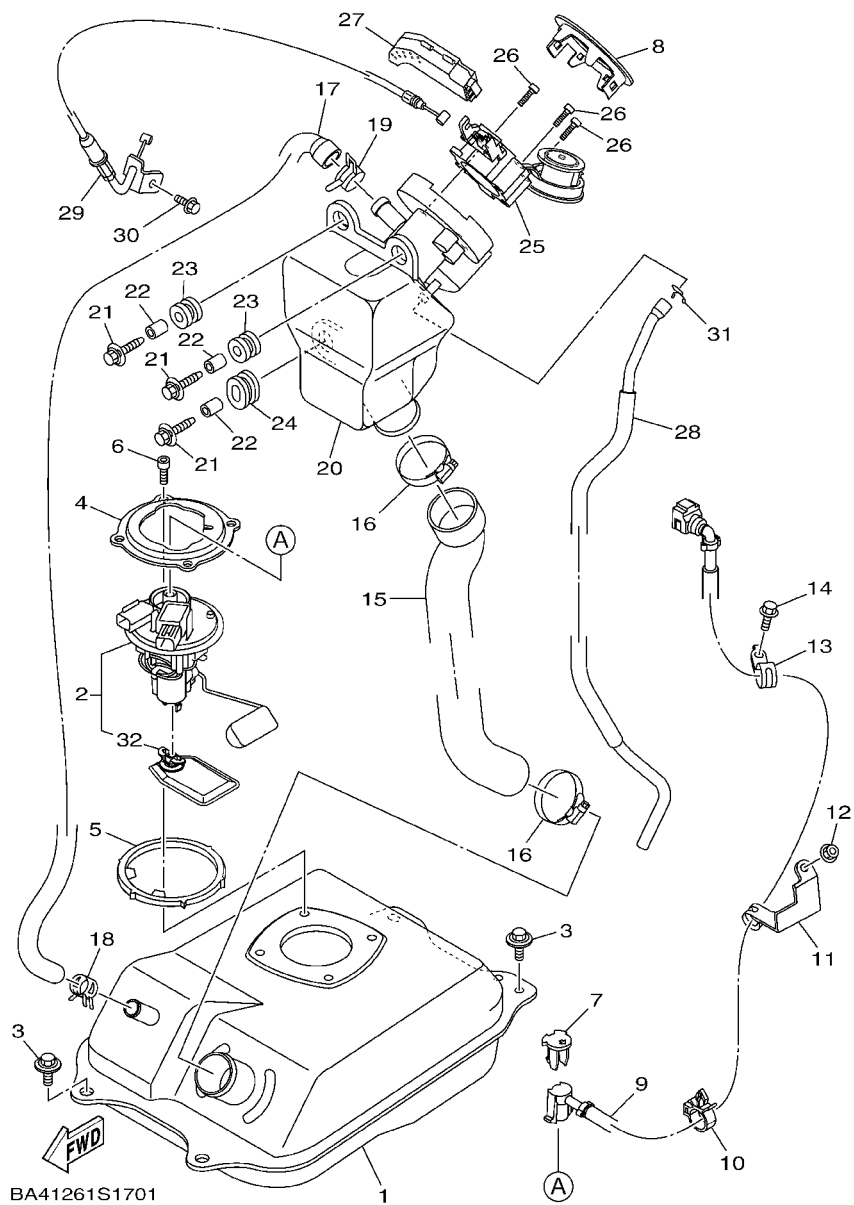


BA41261S1701

FIG. 17 DEPOSITO DE COMBUSTIBLE

FUEL TANK

| REF. N° | CODIGO N° PART NO. | DESCRIPCION DESCRIPTION | BA41 | | | | OBSERVACIONES REMARKS |
|---------|--------------------|--|------|--|--|--|-----------------------|
| 1 | BA4-F4110-10 | DEPOSITO DE COMBUSTIBLE COMP. FUEL TANK COMP. | 1 | | | | |
| 2 | 1SH-E3907-10 | BOMBA DE COMBUSTIBLE COMPLETA FUEL PUMP COMP. | 1 | | | | |
| 3 | 90119-06875 | TORNILLO CON ARANDELA BOLT, WITH WASHER | 4 | | | | |
| 4 | 1SH-F4491-00 | SOPORTE BOMBA COMBUSTIBLE BRACKET, FUEL PUMP | 1 | | | | |
| 5 | 1DB-F414G-01 | SELLO SEAL | 1 | | | | |
| 6 | 91312-05010 | TORNILLO BOLT | 4 | | | | |
| 7 | 5VU-24135-00 | GRAMPA 1 CLAMP 1 | 1 | | | | |
| 8 | 2JS-F467E-00 | TAPA CAP | 1 | | | | |
| 9 | 2JS-E3971-02 | ANILLO DE ESPACIADOR PIPE, FUEL 1 | 1 | | | | |
| 10 | 90464-16803 | BRIDA CLAMP | 1 | | | | |
| 11 | 2JS-F4135-00 | GRAMPA 1 CLAMP 1 | 1 | | | | |
| 12 | 95702-06500 | TUERCA DE BRIDA NUT, FLANGE | 1 | | | | |
| 13 | 1DK-F4135-00 | GRAMPA 1 CLAMP 1 | 1 | | | | |
| 14 | 95807-06012 | TORNILLO BOLT, FLANGE | 1 | | | | |
| 15 | 2JS-F4316-00 | TUBO 6 PIPE 6 | 1 | | | | |
| 16 | 90450-55803 | BRIDA, MANGUERA HOSE CLAMP ASSY | 2 | | | | |
| 17 | 2JS-F4317-00 | TUBO 7 PIPE 7 | 1 | | | | |
| 18 | 90468-08812 | PRESILLA CLIP | 1 | | | | |
| 19 | 90467-20810 | PRESILLA CLIP | 1 | | | | |
| 20 | 2JS-F4280-00 | SUBDEPOSITO SUB FUEL TANK | 1 | | | | |
| 21 | 90119-068B2 | TORNILLO CON ARANDELA BOLT, WITH WASHER | 3 | | | | |
| 22 | 90387-07598 | ESPACIADOR COLLAR | 3 | | | | |
| 23 | 90480-18290 | TAPON GROMMET | 2 | | | | |
| 24 | 90480-01326 | TAPON GROMMET | 1 | | | | |
| 25 | 1MS-F4610-11 | TAPA COMPLETA CAP ASSY | 1 | | | | |
| 26 | 90155-04802 | TORNILLO CABEZA PLANA RAN. SCREW, FLAT FILLISTER | 3 | | | | |
| 27 | 2JS-F413U-00 | OBTURADOR SHUTTER | 1 | | | | |



BA41261S1701

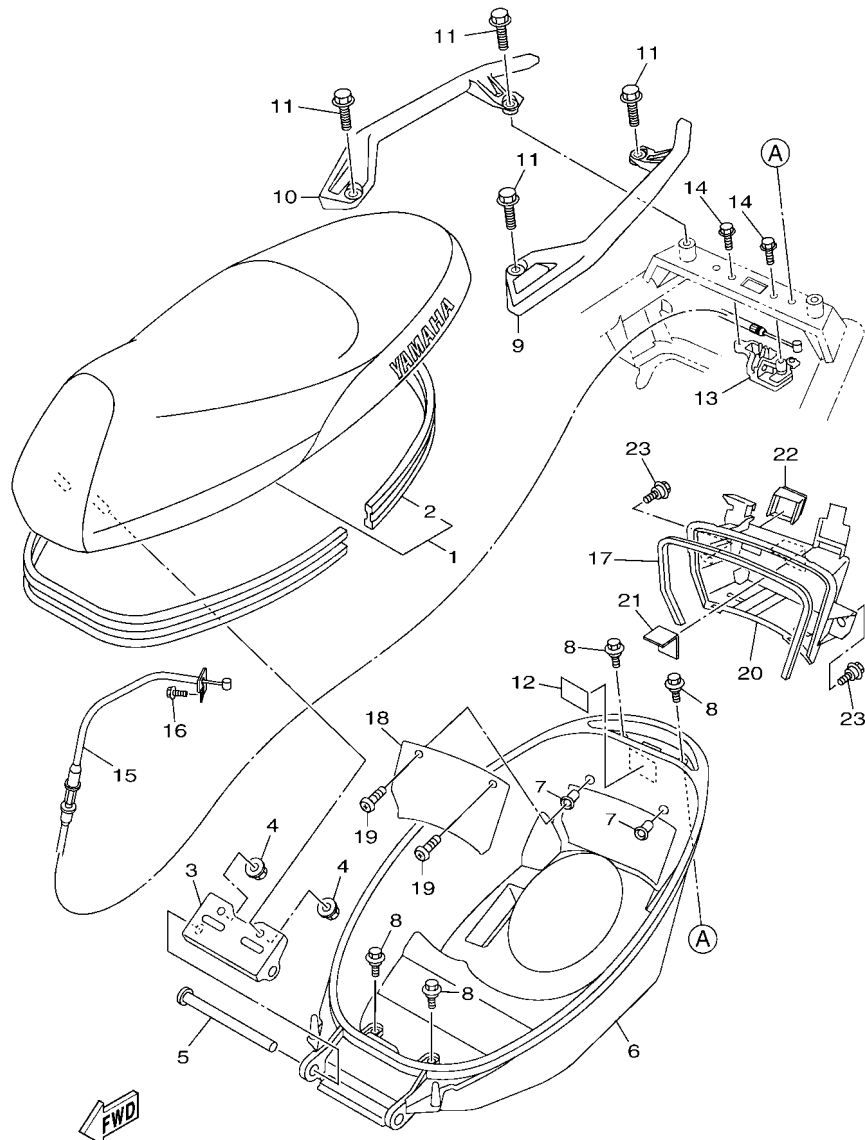
FIG. 17 DEPOSITO DE COMBUSTIBLE

FUEL TANK

| REF. N° | CODIGO N° PART NO. | DESCRIPCION DESCRIPTION | BA41 | | | | OBSERVACIONES REMARKS |
|---------|--------------------|--|------|--|--|--|-----------------------|
| 28 | 2JS-F4318-00 | TUBO DE REBOSAMIENTO PIPE, OVERFLOW | 1 | | | | |
| 29 | 2JS-F4494-00 | ALAMBRE-JALADOR WIRE, PULL | 1 | | | | |
| 30 | 90119-05022 | TORNILLO CON ARANDELA BOLT, WITH WASHER | 1 | | | | |
| 31 | 90467-12052 | PRESILLA CLIP | 1 | | | | |
| 32 | 1SH-E3915-00 | FILTRO FILTER | 1 | | | | |
| <hr/> | | | | | | | |
| <hr/> | | | | | | | |
| <hr/> | | | | | | | |
| <hr/> | | | | | | | |
| <hr/> | | | | | | | |
| <hr/> | | | | | | | |
| <hr/> | | | | | | | |
| <hr/> | | | | | | | |
| <hr/> | | | | | | | |
| <hr/> | | | | | | | |

FIG. 18 ASIENTO

SEAT

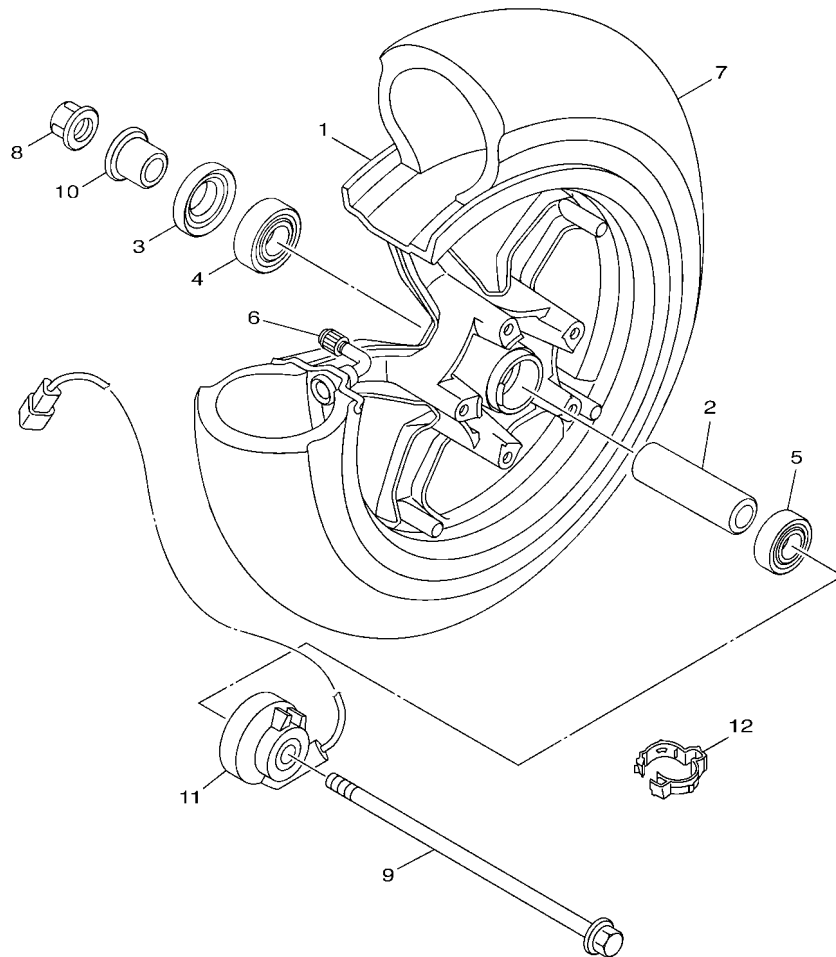


BA41261-S180

| REF. N° | CODIGO N° PART NO. | DESCRIPCION DESCRIPTION | BA41 | | | OBSERVACIONES REMARKS |
|---------|--------------------|---|------|--|--|---|
| 1 | BA4-F4730-00 | SILLIN DOBLE COMPLETO DOUBLE SEAT ASSY | 1 | | | |
| 2 | 2JS-F475M-00 | .SELLO .SEAL | 1 | | | |
| 3 | BA4-F4726-00 | BISAGRA DE ASIENTO HINGE, SEAT | 1 | | | |
| 4 | 95702-06500 | TUERCA DE BRIDA NUT, FLANGE | 2 | | | |
| 5 | 90241-10015 | PASADOR PIN | 1 | | | |
| 6 | 2JS-F473R-00 | CAJA 1 BOX 1 | 1 | | | |
| 7 | 90179-05849 | TUERCA NUT | 2 | | | |
| 8 | 90109-06885 | PERNO BOLT | 4 | | | |
| 9 | BA4-F474A-10-EY | FIADOR DE EMPUNADURA ASSIST, GRIP | 1 | | | HTR PARA SMX HTR FOR SMX |
| | BA4-F474A-10-7M | FIADOR DE EMPUNADURA ASSIST, GRIP | 1 | | | MDS PARA VRC7,VOS2 MDS FOR VRC7,VOS2 |
| | BA4-F474A-10-P0 | FIADOR DE EMPUNADURA ASSIST, GRIP | 1 | | | LNMX PARA BWC1 LNMX FOR BWC1 |
| 10 | BA4-F474W-10-EY | FIADOR DE EMPUNADURA 2 ASSIST,GRIP 2 | 1 | | | HTR PARA SMX HTR FOR SMX |
| | BA4-F474W-10-7M | FIADOR DE EMPUNADURA 2 ASSIST,GRIP 2 | 1 | | | MDS PARA VRC7,VOS2 MDS FOR VRC7,VOS2 |
| | BA4-F474W-10-P0 | FIADOR DE EMPUNADURA 2 ASSIST,GRIP 2 | 1 | | | LNMX PARA BWC1 LNMX FOR BWC1 |
| 11 | 95022-08030 | PERNO, DE BRIDA BOLT, FLANGE | 4 | | | |
| 12 | BA4-F1668-00 | ETIQUETA DE FRANJA LABEL, TIRE | 1 | | | |
| 13 | 5ML-F4780-00 | CERRADURA SILLIN COMPLETO SEAT LOCK ASSY | 1 | | | |
| 14 | 95802-06016 | TORNILLO DE REBORDE BOLT, FLANGE | 2 | | | |
| 15 | 2JS-F478E-00 | CABLE CABLE, SEAT LOCK | 1 | | | |
| 16 | 90119-05022 | TORNILLO CON ARANDELA BOLT, WITH WASHER | 1 | | | |
| 17 | 90520-05820 | EQUILIBRIO, CUBIERTA DAMPER, PLATE | 1 | | | |
| 18 | 2JS-H2129-01 | CUBIERTA DE BATERIA COVER, BATTERY | 1 | | | |
| 19 | 98907-05014 | TORNILLO DE LIGAR SCREW, BIND | 2 | | | |
| 20 | BA4-H212B-00 | CAJA DE BATERIA BOX, BATTERY 1 | 1 | | | |
| 21 | 5ML-F117G-00 | PROTECTOR PROTECTOR | 1 | | | |
| 22 | 2JS-H215B-00 | TAPA CAP | 1 | | | |
| 23 | 90109-06172 | PERNO BOLT | 2 | | | |

FIG. 19 RUEDA DELANTERA

FRONT WHEEL

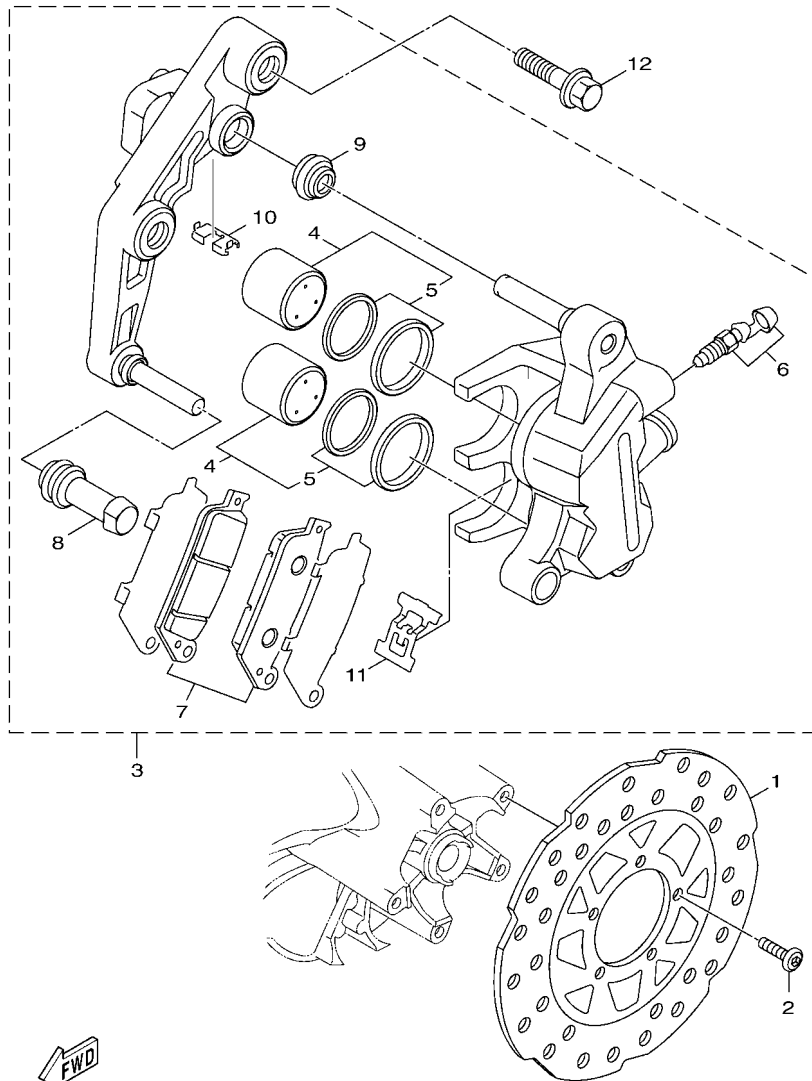


| REF. N° | CODIGO N° PART NO. | DESCRIPCION DESCRIPTION | BA41 | | OBSERVACIONES REMARKS |
|---------|--------------------|---|------|--|-----------------------|
| 1 | 2JS-F5168-00-33 | RUEDA FUNDIDA DELANTERA CAST WHEEL, FRONT | 1 | | YB YB |
| 2 | 5ML-F5183-00 | COLLAR DE RUEDA COLLAR, WHEEL | 1 | | |
| 3 | 93106-17805 | SELLO ACEITE OIL SEAL | 1 | | |
| 4 | 93306-201Y7 | COJINETE BEARING | 1 | | |
| 5 | 93306-301YA | COJINETE BEARING | 1 | | |
| 6 | 93900-00802 | VALVULA VALVE, RIM | 1 | | |
| 7 | 94112-12809 | NEUMATICO (120/70-12 MA-3D 51L TIRE (120/70-12 MA-3D 51L/TL) | 1 | | MAXXIS MAXXIS |
| 8 | 95607-12200 | TUERCA DE AUTO-CIERRE NUT, SELF-LOCKING | 1 | | |
| 9 | 5S9-F5181-00 | EJE DE LA RUEDA AXLE, WHEEL | 1 | | |
| 10 | 90387-12852 | ESPACIADOR COLLAR | 1 | | |
| 11 | 2JS-H3755-10 | SENSOR DE VELOCIDAD SENSOR, SPEED | 1 | | |
| 12 | 90464-14803 | BRIDA CLAMP | 1 | | |


BA41261-S190

FIG. 20 CALIBRE FRENO DELANTERA

FRONT BRAKE CALIPER

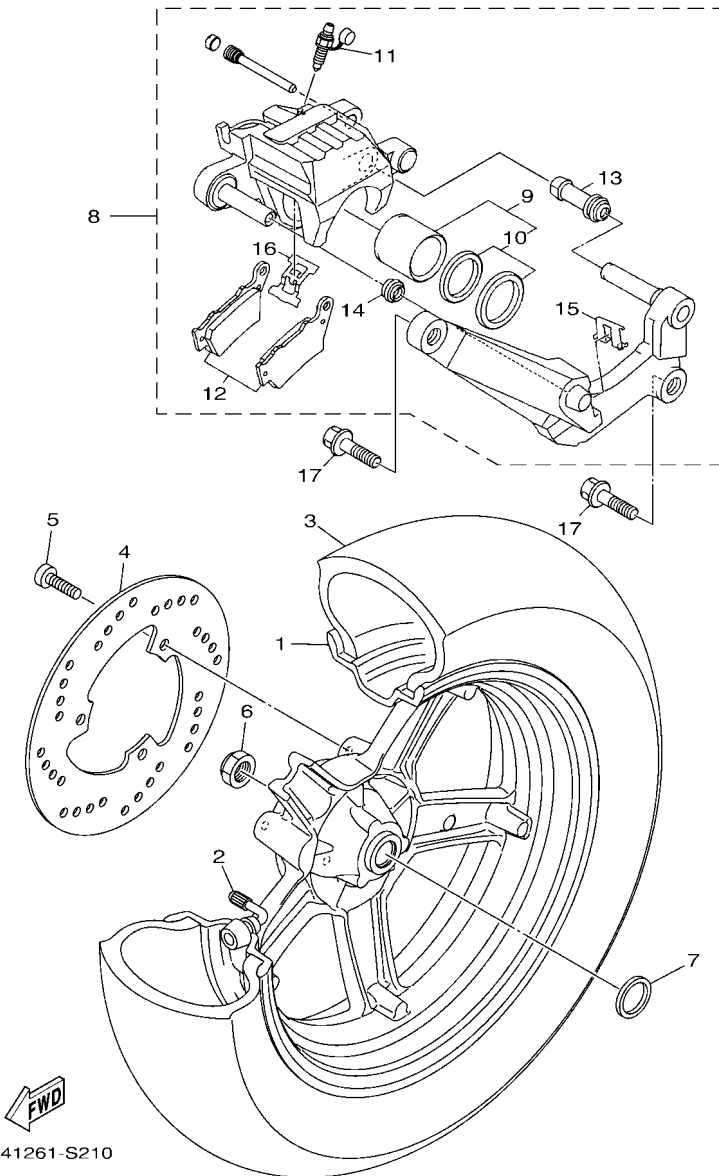


2UB1414-P200

| REF. N° | CODIGO N° PART NO. | DESCRIPCION DESCRIPTION | BA41 | | | | OBSERVACIONES REMARKS |
|---------|--------------------|---|------|--|--|--|-----------------------|
| 1 | 2JS-F582T-00 | DISCO DE FRENO (IZQUIERDO) DISC, BRAKE (LEFT) | 1 | | | | |
| 2 | 90149-08814 | TORNILLO DE REGLAJE SCREW | 5 | | | | |
| 3 | 2JS-F580T-20 | CALIBRE COMPLETO (IZQUIERDO) CALIPER ASSY (LEFT) | 1 | | | | |
| 4 | 2JS-W0057-00 | .PISTON COMPLETO PINZA .PISTON ASSY, CALIPER | 1 | | | | |
| 5 | 5NW-W0047-10 | ..JUEGO DE RETENES DE PINZA ..CALIPER SEAL KIT | 1 | | | | |
| 6 | 2JS-W0048-00 | .CJTO TORNILLO DE PURGA .BLEED SCREW KIT | 1 | | | | |
| 7 | 2JS-W0045-00 | .JUEGO DE COJIN DE FRENO .BRAKE PAD KIT | 1 | | | | |
| 8 | 2JS-F5927-00 | .CAJA DE CONTROL .SPRING, SUPPORT | 1 | | | | |
| 9 | 2JS-F5937-00 | .FUNDA .BOOT 2 | 1 | | | | |
| 10 | 2JS-F5919-00 | .SOPORTE DE PASTILLAS .SUPPORT, PAD | 1 | | | | |
| 11 | 2JS-F5919-10 | .SOPORTE DE PASTILLAS .SUPPORT, PAD | 1 | | | | |
| 12 | 90105-10638 | TORNILLO BOLT, FLANGE | 2 | | | | |

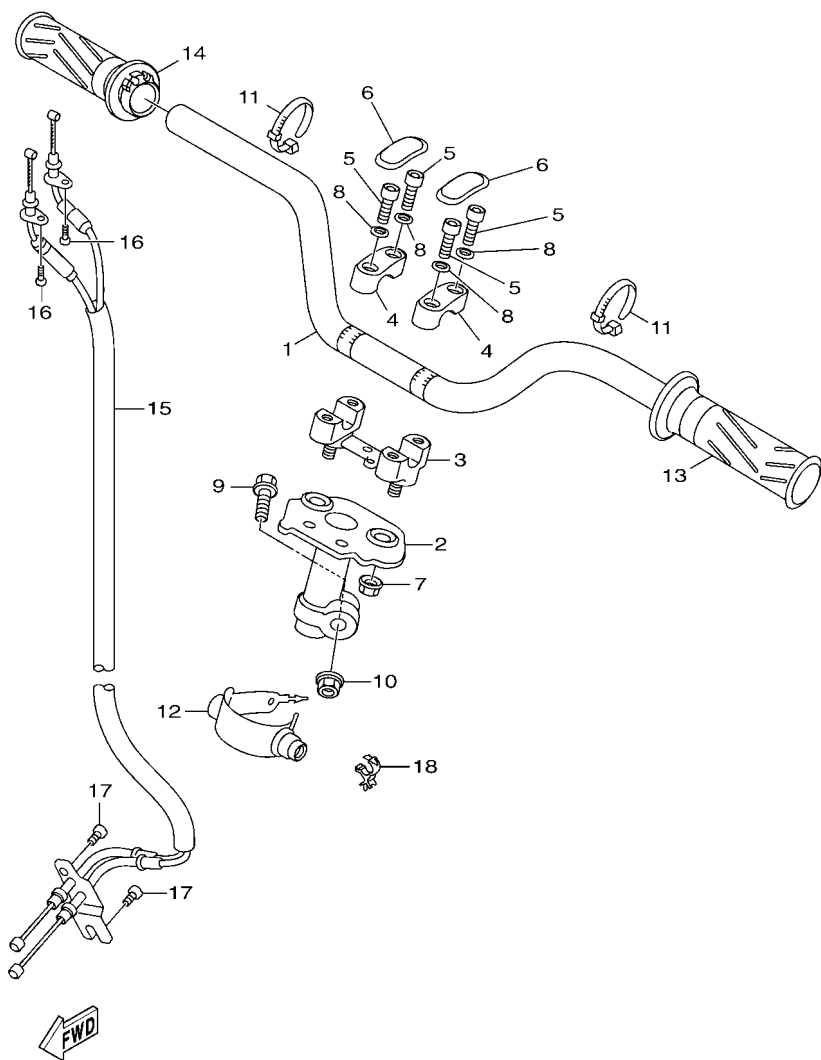
FIG. 21 RUEDA TRASERA

REAR WHEEL



BA41261-S210

| REF. N° | CODIGO N° PART NO. | DESCRIPCION DESCRIPTION | BA41 | | | | OBSERVACIONES REMARKS |
|---------|--------------------|---|------|--|--|--|-----------------------|
| 1 | 2JS-F5338-00-33 | RUEDA FUNDIDA TRASERA CAST WHEEL, REAR | 1 | | | | YB YB |
| 2 | 93900-00802 | VALVULA VALVE, RIM | 1 | | | | |
| 3 | 94113-12804 | NEUMATICO(130/70-12 MA-3D 56L/ TIRE (130/70-12 MA-3D 56L/TL) | 1 | | | | MAXXIS MAXXIS |
| 4 | 2JS-F582W-00 | DISCO DE FRENO TRASEROS 2 DISK, REAR BRAKE 2 | 1 | | | | |
| 5 | 90149-08814 | TORNILLO DE REGLAJE SCREW | 3 | | | | |
| 6 | 90185-14124 | TUERCA AUTOBLOCANTE NUT, SELF-LOCKING | 1 | | | | |
| 7 | 90201-220J8 | ARANDELA PLANA WASHER, PLATE | 1 | | | | |
| 8 | 2JS-F580W-20 | CALIBRE COMPLETO TRASEROS 2 CALIPER ASSY, REAR 2 | 1 | | | | |
| 9 | 2JS-W0057-10 | .PISTON COMPLETO PINZA .PISTON ASSY, CALIPER | 1 | | | | |
| 10 | 5S9-W0047-00 | ..JUEGO DE RETENES DE PINZA ..CALIPER SEAL KIT | 1 | | | | |
| 11 | 2JS-W0048-00 | .CJTO TORNILLO DE PURGA .BLEED SCREW KIT | 1 | | | | |
| 12 | 2JS-W0046-00 | .JUEGO DE PASTILLAS DE FRENO 2 .BRAKE PAD KIT 2 | 1 | | | | |
| 13 | 2JS-F5927-00 | .CAJA DE CONTROL .SPRING, SUPPORT | 1 | | | | |
| 14 | 2JS-F5937-00 | .FUNDA .BOOT 2 | 1 | | | | |
| 15 | 2JS-F5919-20 | .SOPORTE DE PASTILLAS .SUPPORT, PAD | 1 | | | | |
| 16 | 2JS-F5919-30 | .SOPORTE DE PASTILLAS .SUPPORT, PAD | 1 | | | | |
| 17 | 90105-10638 | TORNILLO BOLT, FLANGE | 2 | | | | |

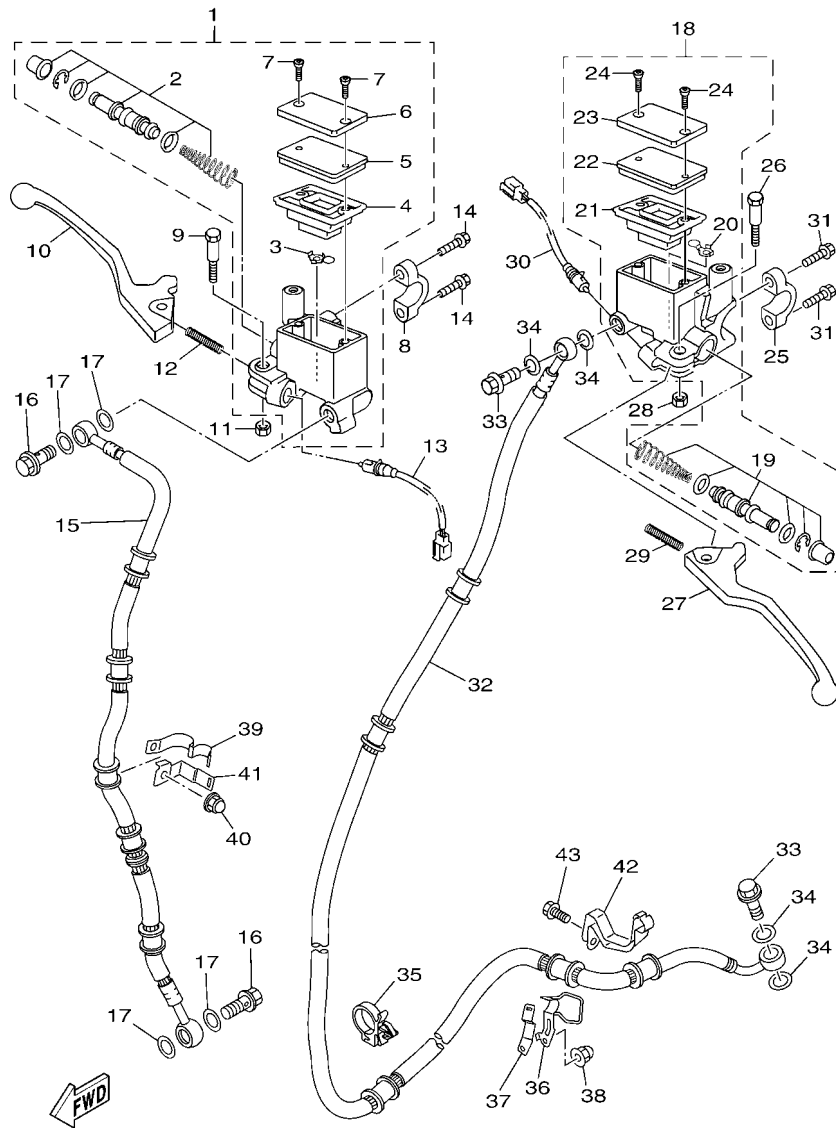


BA41261-S220

FIG. 22 MANILLAR & CABLE

STEERING HANDLE & CABLE

| REF. N° | CODIGO N° PART NO. | DESCRIPCION DESCRIPTION | BA41 | | | | OBSERVACIONES REMARKS |
|---------|--------------------|---|------|--|--|--|-----------------------|
| 1 | BA4-F6111-00 | MANUBRIO HANDLEBAR | 1 | | | | |
| 2 | 2JS-F3461-00 | SOPORTE DE MANUBRIO BRACKET, HANDLE | 1 | | | | |
| 3 | BA4-F3442-00-35 | SOPORTE DE MANUBRIO INFERIOR HOLDER, HANDLE LOWER | 1 | | | | SL |
| 4 | BA4-F3441-00-35 | SOPORTE DE MANUBRIO HOLDER, HANDLE UPPER | 2 | | | | SL |
| 5 | 91317-08025 | PERNO BOLT, HEX. SOCKET HEAD | 4 | | | | SL |
| 6 | 1MH-F3469-00 | TAPA DE PERNO CAP, BOLT | 2 | | | | |
| 7 | 90185-10814 | TUERCA AUTOBLOCANTE NUT, SELF-LOCKING | 2 | | | | |
| 8 | 90201-08823 | ARANDELA PLANA WASHER, PLATE | 4 | | | | |
| 9 | 90105-10036 | TORNILLO BOLT, FLANGE | 1 | | | | |
| 10 | 90185-10814 | TUERCA AUTOBLOCANTE NUT, SELF-LOCKING | 1 | | | | |
| 11 | 31U-H3936-00 | BANDA DE CABLE DE INTERRUPTOR BAND, SWITCH CORD | 2 | | | | |
| 12 | 1DK-F6124-00 | PROTECTOR DE MANUBRIO PROTECTOR, HANDLEBAR | 1 | | | | |
| 13 | 5ML-F6241-01 | EMPUNADURA GRIP | 1 | | | | |
| 14 | 5UA-F6240-00 | EMPUNADURA COMPLETA GRIP ASSY | 1 | | | | |
| 15 | 2JS-F6301-00 | CABLE DE ACELERADOR COMPLETO THROTTLE CABLE ASSY | 1 | | | | |
| 16 | 91317-05010 | PERNO BOLT, HEX. SOCKET HEAD | 2 | | | | |
| 17 | 91317-05010 | PERNO BOLT, HEX. SOCKET HEAD | 2 | | | | |
| 18 | 90464-16803 | BRIDA CLAMP | 2 | | | | |

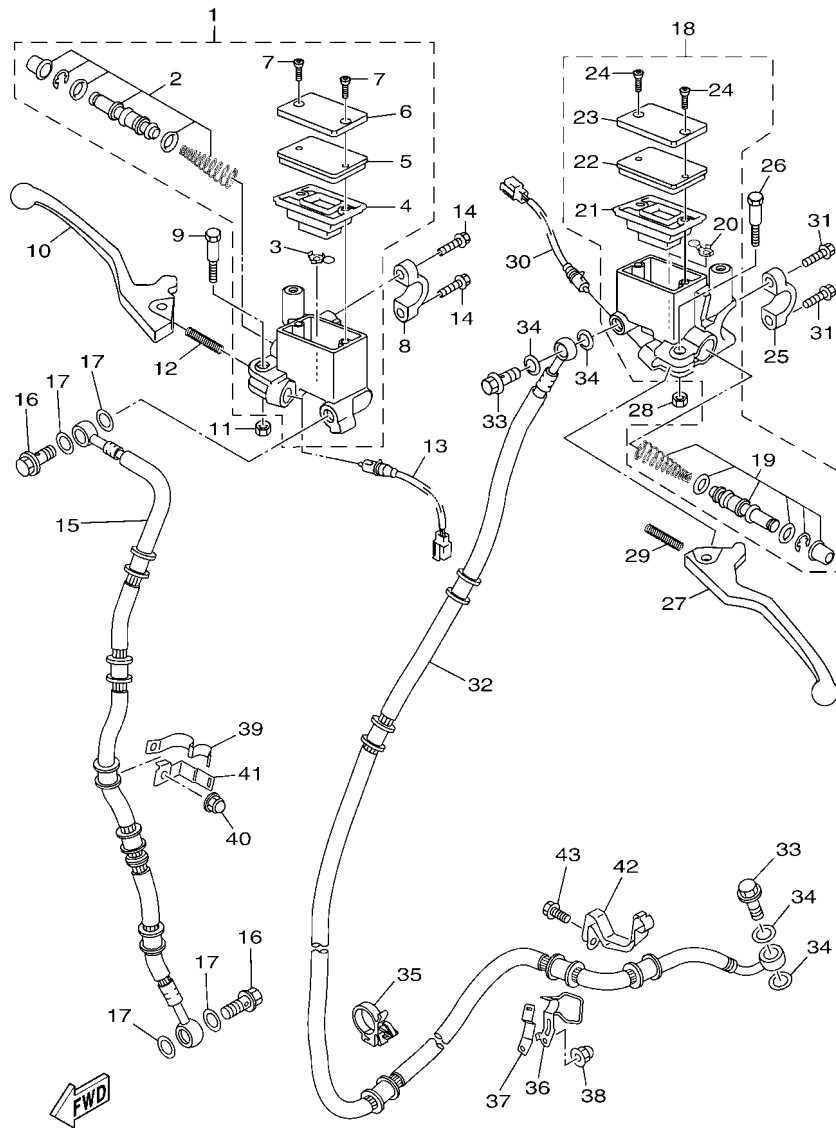


BA41261-S230

FIG. 23 CILINDRO MAESTRO DELANTERO

FRONT MASTER CYLINDER

| REF. N° | CODIGO N° PART NO. | DESCRIPCION DESCRIPTION | BA41 | | | | OBSERVACIONES REMARKS |
|---------|--------------------|---|------|--|--|--|-----------------------|
| 1 | BA4-F5870-00 | CILINDRO MAESTRO COMPLETO MASTER CYLINDER SUB ASSY | 1 | | | | |
| 2 | BA4-W0041-00 | .JUEGO DE CILINDRO MAESTRO .CYLINDER KIT, MASTER | 1 | | | | |
| 3 | 5S9-F5715-00 | .CUBIERTA 1 .COVER 1 | 1 | | | | |
| 4 | 2JS-F5854-00 | .EMPAQUE, DIAFRAGMA .DIAPHRAGM, RESERVOIR | 1 | | | | |
| 5 | 2JS-F585B-00 | .PLACA, DIAFRAGMA .PLATE, DIAPHRAGM | 1 | | | | |
| 6 | 2JS-F5852-00 | .TAPA DE TANQUE DE RESERVA .CAP, RESERVOIR | 1 | | | | |
| 7 | 98707-04012 | .TORNILLO DE CABEZA PLANA .SCREW, FLAT HEAD | 2 | | | | |
| 8 | 3GF-F5867-00 | SOPORTE DE CILINDRO MAESTRO BRACKET, MASTER CYLINDER | 1 | | | | |
| 9 | 41D-H3945-00 | PERNO DE PALANCA BOLT, LEVER | 1 | | | | |
| 10 | BA4-H3922-00 | PALANCA 2 LEVER 2 | 1 | | | | |
| 11 | 95607-06100 | TUERCA AUTOBLOCANTE NUT, U | 1 | | | | |
| 12 | 90501-10312 | RESORTE DE COMPRESION SPRING, COMPRESSION | 1 | | | | |
| 13 | 2JS-H3980-00 | INTERRUP. DE PARADA DELANTERO FRONT STOP SWITCH ASSY | 1 | | | | |
| 14 | 95027-06025 | PERNO, DE BRIDA BOLT, FLANGE | 2 | | | | |
| 15 | 2JS-F5872-00 | MANGUERA DE FRENO 1 HOSE, BRAKE 1 | 1 | | | | |
| 16 | 90401-10805 | PERNO DE UNION BOLT, UNION | 2 | | | | |
| 17 | 90201-10118 | ARANDELA PLANA WASHER, PLATE | 4 | | | | |
| 18 | BA4-F5870-10 | CILINDRO MAESTRO COMPLETO MASTER CYLINDER SUB ASSY | 1 | | | | |
| 19 | BA4-W0041-00 | .JUEGO DE CILINDRO MAESTRO .CYLINDER KIT, MASTER | 1 | | | | |
| 20 | 5S9-F5715-00 | .CUBIERTA 1 .COVER 1 | 1 | | | | |
| 21 | 2JS-F5854-00 | .EMPAQUE, DIAFRAGMA .DIAPHRAGM, RESERVOIR | 1 | | | | |
| 22 | 2JS-F585B-00 | .PLACA, DIAFRAGMA .PLATE, DIAPHRAGM | 1 | | | | |
| 23 | 2JS-F5852-00 | .TAPA DE TANQUE DE RESERVA .CAP, RESERVOIR | 1 | | | | |
| 24 | 98707-04012 | .TORNILLO DE CABEZA PLANA .SCREW, FLAT HEAD | 2 | | | | |
| 25 | 3GF-F5867-00 | SOPORTE DE CILINDRO MAESTRO BRACKET, MASTER CYLINDER | 1 | | | | |
| 26 | 41D-H3945-00 | PERNO DE PALANCA BOLT, LEVER | 1 | | | | |
| 27 | BA4-H3912-00 | PALANCA 1 LEVER 1 | 1 | | | | |



BA41261-S230

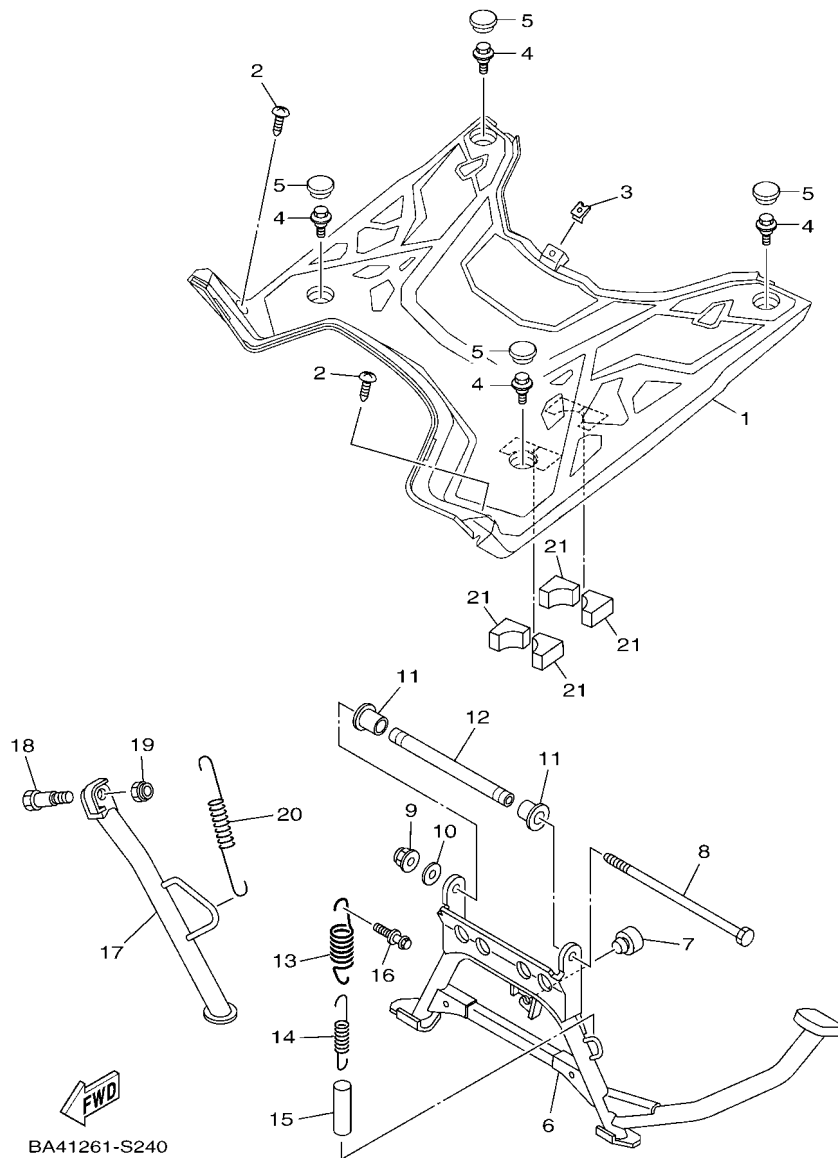
FIG. 23 CILINDRO MAESTRO DELANTERO

FRONT MASTER CYLINDER

| REF. N° | CODIGO N° PART NO. | DESCRIPCION DESCRIPTION | BA41 | | | | OBSERVACIONES REMARKS |
|---------|--------------------|--|------|--|--|--|-----------------------|
| 28 | 95607-06100 | TUERCA AUTOBLOCANTE NUT, U | 1 | | | | |
| 29 | 90501-10312 | RESORTE DE COMPRESION SPRING, COMPRESSION | 1 | | | | |
| 30 | 2JS-H3980-00 | INTERRUP. DE PARADA DELANTERO FRONT STOP SWITCH ASSY | 1 | | | | |
| 31 | 95027-06025 | PERNO, DE BRIDA BOLT, FLANGE | 2 | | | | |
| 32 | 2JS-F5873-00 | MANGUERA DE FRENO 2 HOSE, BRAKE 2 | 1 | | | | |
| 33 | 90401-10805 | PERNO DE UNION BOLT, UNION | 2 | | | | |
| 34 | 90201-10118 | ARANDELA PLANA WASHER, PLATE | 4 | | | | |
| 35 | 90464-16803 | BRIDA CLAMP | 1 | | | | |
| 36 | 2JS-F5887-00 | SOPORTE DE MANGUERA FRENO HOLDER, BRAKE HOSE | 1 | | | | |
| 37 | 2JS-F5887-10 | SOPORTE DE MANGUERA FRENO HOLDER, BRAKE HOSE | 1 | | | | |
| 38 | 90176-06011 | TUERCA CORONA NUT, CROWN | 1 | | | | |
| 39 | 2JS-F587A-00 | SOPORTE DE MANGUERA FRENO HOLDER, BRAKE HOSE | 1 | | | | |
| 40 | 90176-06011 | TUERCA CORONA NUT, CROWN | 1 | | | | |
| 41 | 2JS-F587A-10 | SOPORTE DE MANGUERA FRENO HOLDER, BRAKE HOSE | 1 | | | | |
| 42 | 2JS-F588G-00 | SOPORTE DE MANGUERA FRENO 6 HOLDER, BRAKE HOSE 6 | 1 | | | | |
| 43 | 95807-06012 | TORNILLO BOLT, FLANGE | 1 | | | | |

FIG. 24 SOPORTE & APOYAPIE

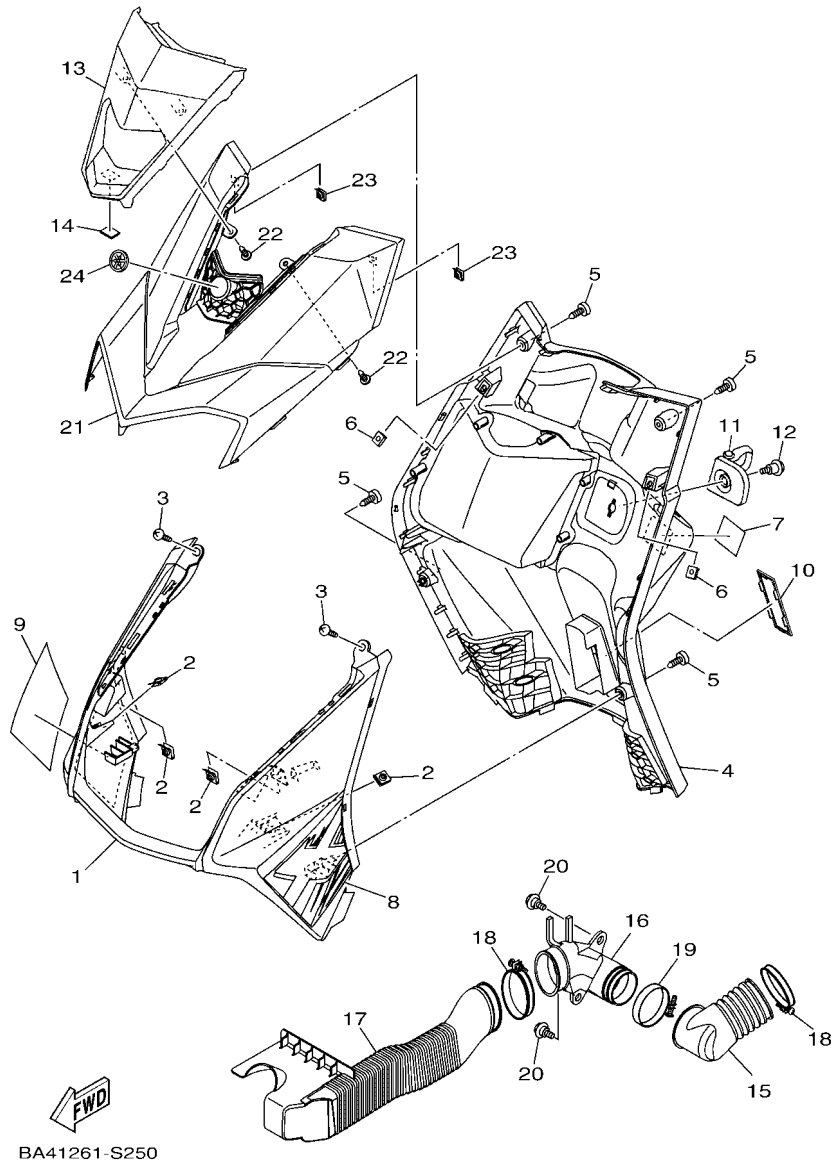
STAND & FOOTREST



| REF. N° | CODIGO N° PART NO. | DESCRIPCION DESCRIPTION | BA41 | | | | OBSERVACIONES REMARKS |
|---------|--------------------|---|------|--|--|--|-----------------------|
| 1 | 2JS-F7481-00 | TABLERO DE APOYAPIE BOARD, FOOTREST | 1 | | | | |
| 2 | 97707-50016 | TORNILLO SCREW, TRUSS HEAD TAPPING | 2 | | | | |
| 3 | 90183-05816 | TUERCA DE RESORTE NUT, SPRING | 1 | | | | |
| 4 | 90109-06043 | PERNO BOLT | 4 | | | | |
| 5 | 5HK-F7475-00 | TAPA 1 CAP 1 | 4 | | | | |
| 6 | 24P-F7111-20 | PUNTAL PRINCIPAL STAND, MAIN | 1 | | | | |
| 7 | 5S9-F7114-01 | TOPE DE PUNTAL PRINCIPAL STOPPER, MAIN STAND | 1 | | | | |
| 8 | 5ML-F7117-00 | PERNO DE PUNTAL PRINCIPAL BOLT, MAIN STAND | 1 | | | | |
| 9 | 95604-08200 | TUERCA DE AUTO-CIERRE NUT, U FLANGE | 1 | | | | |
| 10 | 90201-08810 | ARANDELA PLANA WASHER, PLATE | 1 | | | | |
| 11 | 5ML-F7121-00 | BUJE BUSH | 2 | | | | |
| 12 | 5ML-F7113-00 | COLLAR DE PUNTAL PRINCIPAL COLLAR, MAIN STAND | 1 | | | | |
| 13 | 90506-40800 | RESORTE DE TENSION SPRING, TENSION | 1 | | | | |
| 14 | 90506-20803 | RESORTE DE TENSION SPRING, TENSION | 1 | | | | |
| 15 | 90445-21815 | TUBO HOSE | 1 | | | | |
| 16 | 5SU-F7254-01 | GANCHO HOOK | 1 | | | | |
| 17 | 24P-F7311-00 | PUNTAL LATERAL STAND, SIDE | 1 | | | | |
| 18 | 90109-10005 | PERNO BOLT | 1 | | | | |
| 19 | 90185-10110 | TUERCA AUTOBLOCANTE NUT, SELF-LOCKING | 1 | | | | |
| 20 | 90506-26803 | RESORTE DE TENSION SPRING, TENSION | 1 | | | | |
| 21 | BA4-F1747-00 | AMORTIGUADOR DAMPER | 4 | | | | |

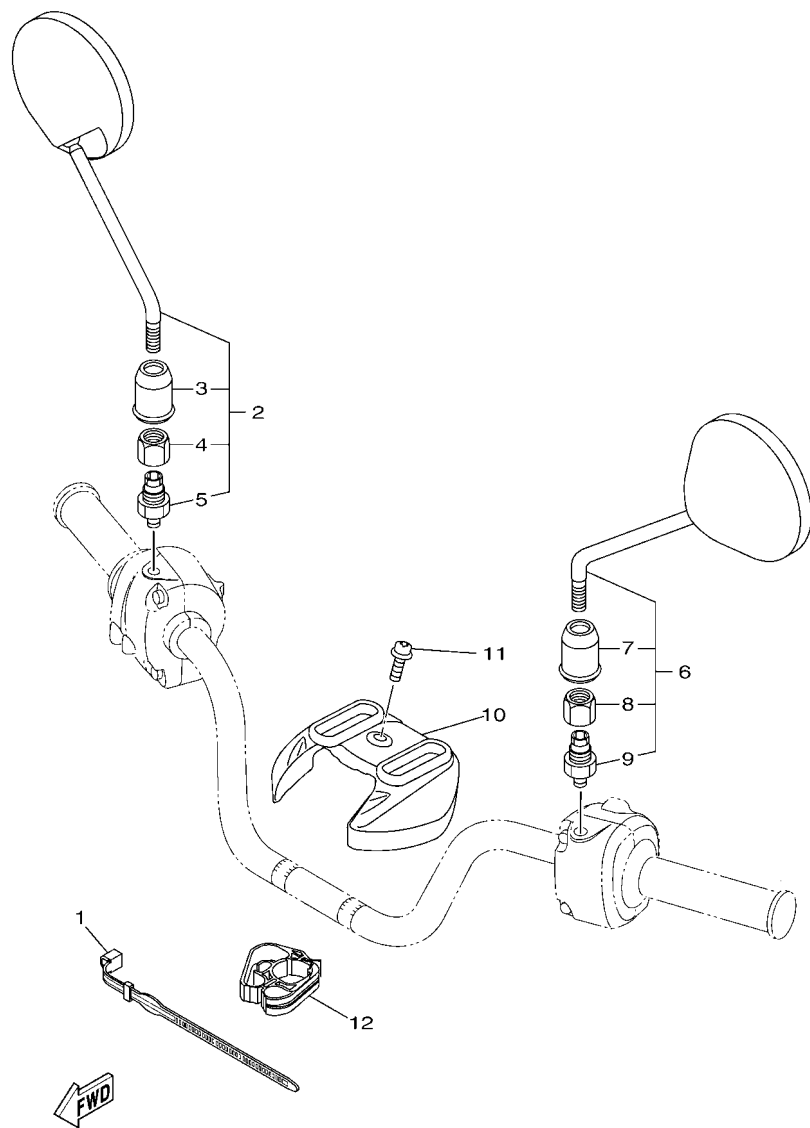
FIG. 25 PATA PROTEGIDA

LEG SHIELD



BA41261-S250

| REF. N° | CODIGO N° PART NO. | DESCRIPCION DESCRIPTION | BA41 | | | OBSERVACIONES REMARKS |
|---------|--------------------|--|------|--|--|---|
| 1 | BA4-F8311-00-P0 | PROTECCION DE PATA 1 LEG SHIELD 1 | 1 | | | UR PARA SMX UR FOR SMX |
| | BA4-F8311-00-P1 | PROTECCION DE PATA 1 LEG SHIELD 1 | 1 | | | UR PARA VRC7 UR FOR VRC7 |
| | BA4-F8311-00-P2 | PROTECCION DE PATA 1 LEG SHIELD 1 | 1 | | | UR PARA BWC1 UR FOR BWC1 |
| | BA4-F8311-00-P5 | PROTECCION DE PATA 1 LEG SHIELD 1 | 1 | | | UR PARA VOS2 UR FOR VOS2 |
| 2 | 90183-06813 | TUERCA DE RESORTE NUT, SPRING | 4 | | | |
| 3 | 97707-50016 | TORNILLO SCREW, TRUSS HEAD TAPPING | 2 | | | |
| 4 | 2JS-F8300-00 | PROTECCION DE PATA COMPLETA LEG SHIELD ASSY | 1 | | | |
| 5 | 90169-05001 | TORNILLO TAPPING SCREW | 4 | | | |
| 6 | 90183-05816 | TUERCA DE RESORTE NUT, SPRING | 2 | | | |
| 7 | BA4-F1568-00 | ETIQUETA DE PRECAUCION LABEL, WARNING | 1 | | | |
| 8 | BA4-F8328-00 | EMBLEMA EMBLEM | 1 | | | UR PARA SMX UR FOR SMX |
| | BA4-F8328-10 | EMBLEMA EMBLEM | 1 | | | UR PARA VRC7 UR FOR VRC7 |
| | BA4-F8328-20 | EMBLEMA EMBLEM | 1 | | | UR PARA BWC1 UR FOR BWC1 |
| | BA4-F8328-30 | EMBLEMA EMBLEM | 1 | | | UR PARA VOS2 UR FOR VOS2 |
| 9 | BA4-F8338-00 | EMBLEMA EMBLEM | 1 | | | UR PARA SMX UR FOR SMX |
| | BA4-F8338-10 | EMBLEMA EMBLEM | 1 | | | UR PARA VRC7 UR FOR VRC7 |
| | BA4-F8338-20 | EMBLEMA EMBLEM | 1 | | | UR PARA BWC1 UR FOR BWC1 |
| | BA4-F8338-30 | EMBLEMA EMBLEM | 1 | | | UR PARA VOS2 UR FOR VOS2 |
| 10 | 5FM-F8349-00 | TAPA CAP | 1 | | | |
| 11 | 1CF-F8379-00 | GANCHO HOOK | 1 | | | |
| 12 | 90109-068A0 | PERNO BOLT | 1 | | | |
| 13 | BA4-F8345-00-EY | MOLDURA 1 MOLE 1 | 1 | | | HTR PARA SMX HTR FOR SMX |
| | BA4-F8345-00-P0 | MOLDURA 1 MOLE 1 | 1 | | | LNMX PARA VRC7,VOS2 LNMX FOR VRC7,VOS2 |
| | BA4-F8345-00-P1 | MOLDURA 1 MOLE 1 | 1 | | | BMC PARA BWC1 BMC FOR BWC1 |
| 14 | 90520-01801 | EQUILIBRIO, CUBIERTA DAMPER, PLATE | 1 | | | |
| 15 | 5ML-F838N-01 | CONDUCTO 1 DUCT 1 | 1 | | | |
| 16 | BA4-F838R-00 | CONDUCTO 2 DUCT 2 | 1 | | | |



BA41261-S260

FIG. 26 BOVEDA 1

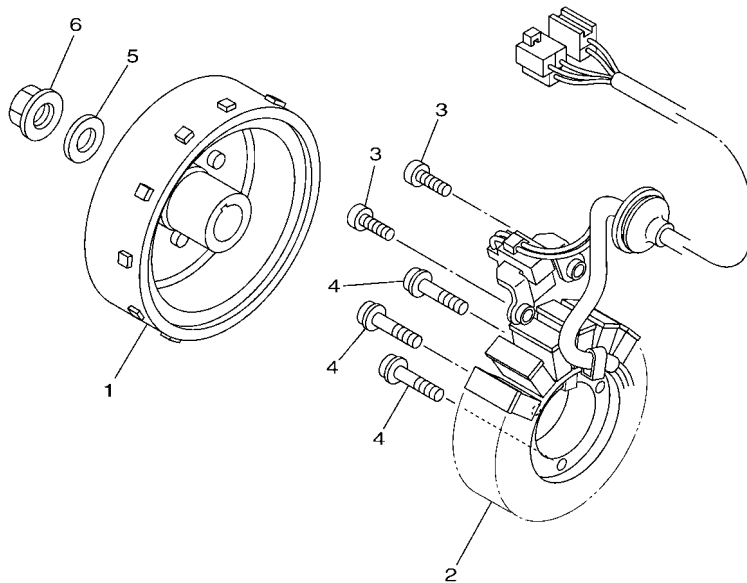
COWLING 1

| REF. N° | CODIGO N° PART NO. | DESCRIPCION DESCRIPTION | BA41 | | | | OBSERVACIONES REMARKS |
|---------|--------------------|---|------|--|--|--|-----------------------|
| 1 | 37C-H3936-10 | BANDA DE CABLE DE INTERRUPTOR BAND, SWITCH CORD | 1 | | | | |
| 2 | 5S9-F6290-01 | ESPEJO COMPLETO (DERECHO) REAR VIEW MIRROR ASSY (RIGHT) | 1 | | | | |
| 3 | 5FA-F629T-00 | .FUNDA 1 .BOOT 1 | 1 | | | | |
| 4 | 5FA-F6294-00 | .TUERCA 1 .NUT 1 | 1 | | | | |
| 5 | 5FA-F6356-01 | .PERNO DE AJUSTE .BOLT, ADJUSTING | 1 | | | | |
| 6 | 5S9-F6280-01 | ESPEJO COMPLETO (IZQUIERDO) REAR VIEW MIRROR ASSY (LEFT) | 1 | | | | |
| 7 | 5FA-F629T-00 | .FUNDA 1 .BOOT 1 | 1 | | | | |
| 8 | 5FA-F6294-00 | .TUERCA 1 .NUT 1 | 1 | | | | |
| 9 | 5FA-F6386-01 | .PERNO DE AJUSTE .BOLT, ADJUSTING | 1 | | | | |
| 10 | 2JS-F6143-00 | CUBIERTA DE MANUBRIO SUPERIOR1 COVER, HANDLE UPPER 1 | 1 | | | | |
| 11 | 90159-05820 | TORNILLO CON VALONA SCREW, WITH WASHER | 1 | | | | |
| 12 | 2JS-F627E-00 | GRAMPA CLAMP, WIRE | 1 | | | | |

FIG. 27 GENERADOR

GENERATOR

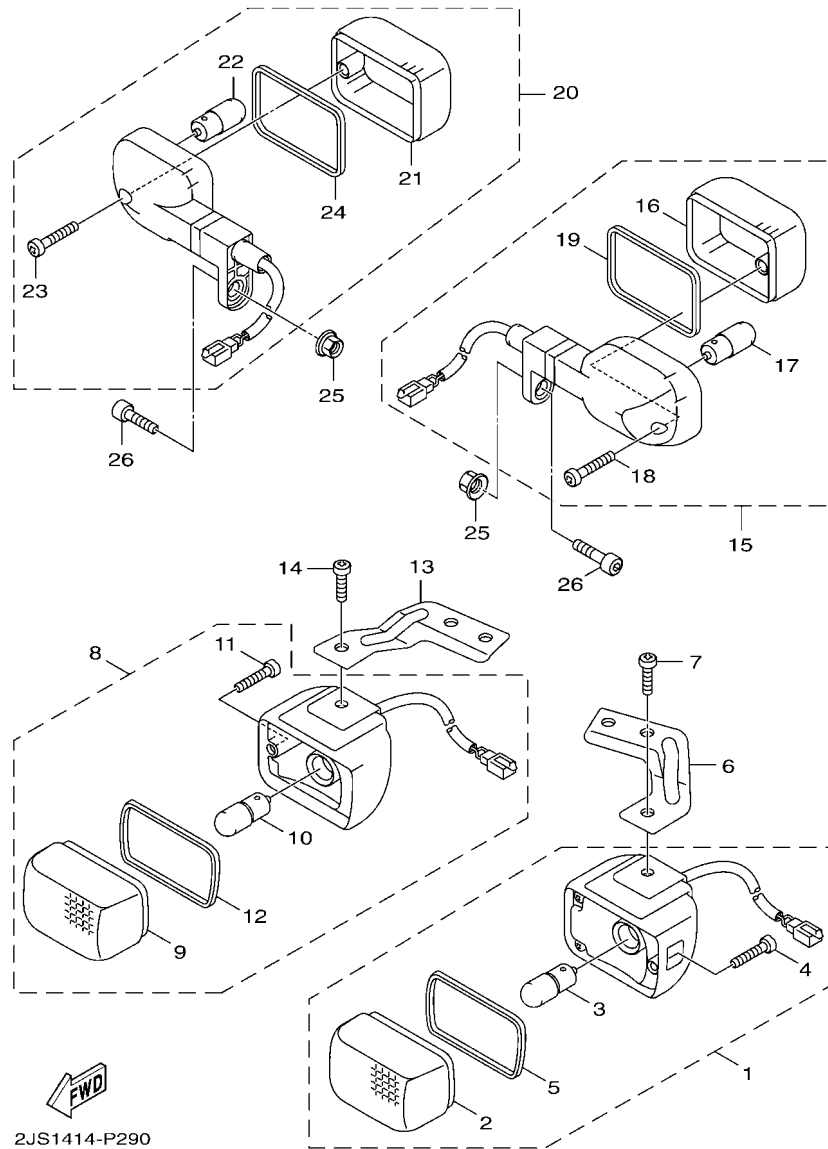
| REF. N° | CODIGO N° PART NO. | DESCRIPCION DESCRIPTION | BA41 | | | | OBSERVACIONES REMARKS |
|---------|--------------------|---|------|--|--|--|-----------------------|
| 1 | 2EB-H1450-00 | ROTOR COMPLETO ROTOR ASSY | 1 | | | | |
| 2 | 2JS-H1410-10 | ESTATOR COMPLETO STATOR ASSY | 1 | | | | |
| 3 | 98502-06016 | TORNILLO SCREW, PAN HEAD | 2 | | | | |
| 4 | 97607-06225 | TORNILLO CAB CON PLANA C/ARAN SCREW, WITH WASHER | 3 | | | | |
| 5 | 90201-12688 | ARANDELA PLANA WASHER, PLATE | 1 | | | | |
| 6 | 90179-12004 | TUERCA NUT | 1 | | | | |



BA41261-S270

FIG. 29 LUZ DE DESTELLADOR

FLASHER LIGHT

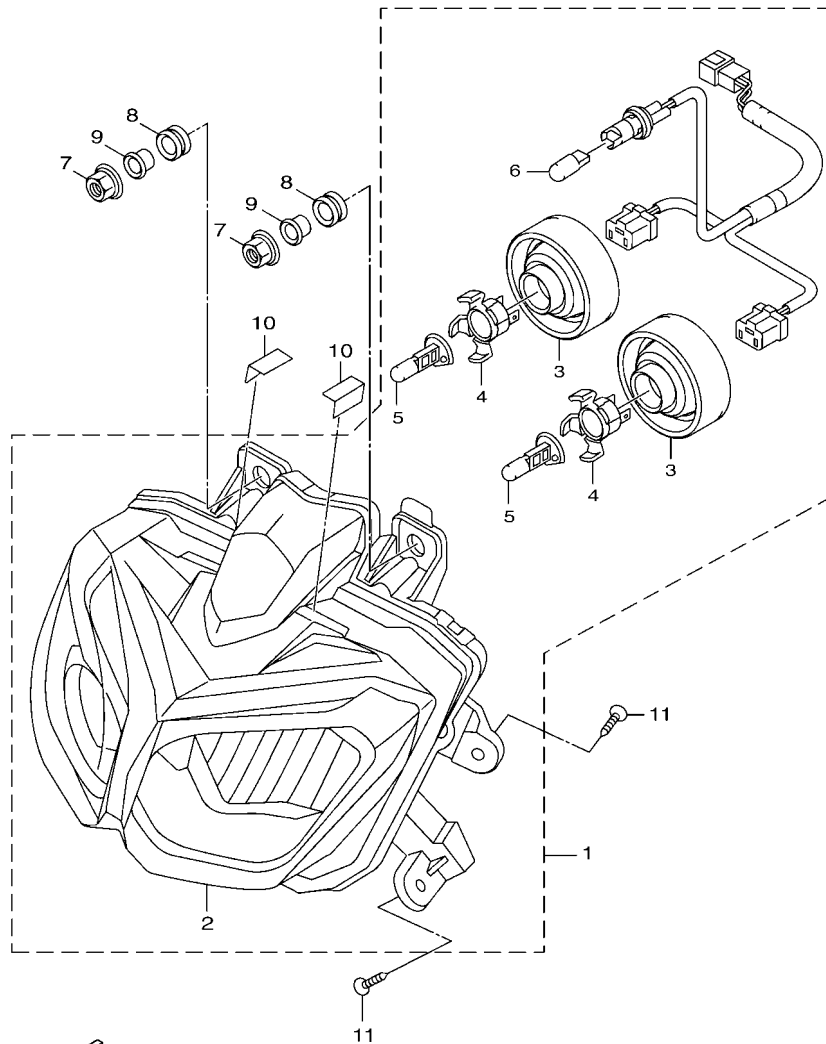


2JS1414-P290

| REF. N° | CODIGO N° PART NO. | DESCRIPCION DESCRIPTION | BA41 | OBSERVACIONES REMARKS |
|---------|--------------------|---|------|-----------------------|
| 1 | 5S9-H3310-41 | DESTELLADOR DE LUZ DELANT. FRONT FLASHER LIGHT ASSY 1 | 1 | |
| 2 | 5S9-H3312-30 | .LENTE DE DESTELLADOR .LENS, FLASHER | 1 | |
| 3 | 5SK-H3311-00 | .BOMBILLA (12V-10W) .BULB, FLASHER (12V-10W) | 1 | |
| 4 | 5S9-H3333-00 | .TORNILLO ACCESORIO DE LENTE .SCREW, LENS FITTING | 1 | |
| 5 | 5S9-H3313-00 | .EMPAQUE DE LENTE DESTELLADOR .GASKET, FLASHER LENS | 1 | |
| 6 | 2JS-H3318-00 | SOPORTE DE DESTELLADOR 1 STAY, FLASHER 1 | 1 | |
| 7 | 92012-05010 | PERNO BOLT, BUTTON HEAD | 3 | |
| 8 | 5S9-H3320-41 | DESTELLADOR DE LUZ DELANT. FRONT FLASHER LIGHT ASSY 2 | 1 | |
| 9 | 5S9-H3312-30 | .LENTE DE DESTELLADOR .LENS, FLASHER | 1 | |
| 10 | 5SK-H3311-00 | .BOMBILLA (12V-10W) .BULB, FLASHER (12V-10W) | 1 | |
| 11 | 5S9-H3333-00 | .TORNILLO ACCESORIO DE LENTE .SCREW, LENS FITTING | 1 | |
| 12 | 5S9-H3313-00 | .EMPAQUE DE LENTE DESTELLADOR .GASKET, FLASHER LENS | 1 | |
| 13 | 2JS-H3328-00 | SOPORTE DE DESTELLADOR 2 STAY, FLASHER 2 | 1 | |
| 14 | 92012-05010 | PERNO BOLT, BUTTON HEAD | 3 | |
| 15 | 2JS-H3330-00 | DESTELLADOR DE LUZ TRAS.COMPL. REAR FLASHER LIGHT ASSY 1 | 1 | |
| 16 | 2JS-H3332-00 | .LENTE DE DESTELLADOR .LENS, FLASHER | 1 | |
| 17 | 5SK-H3311-00 | .BOMBILLA (12V-10W) .BULB, FLASHER (12V-10W) | 1 | |
| 18 | 5S9-H3333-00 | .TORNILLO ACCESORIO DE LENTE .SCREW, LENS FITTING | 1 | |
| 19 | 5S9-H3313-00 | .EMPAQUE DE LENTE DESTELLADOR .GASKET, FLASHER LENS | 1 | |
| 20 | 2JS-H3340-00 | DESTELLADOR DE LUZ TRAS.COMPL. REAR FLASHER LIGHT ASSY 2 | 1 | |
| 21 | 2JS-H3332-00 | .LENTE DE DESTELLADOR .LENS, FLASHER | 1 | |
| 22 | 5SK-H3311-00 | .BOMBILLA (12V-10W) .BULB, FLASHER (12V-10W) | 1 | |
| 23 | 5S9-H3333-00 | .TORNILLO ACCESORIO DE LENTE .SCREW, LENS FITTING | 1 | |
| 24 | 5S9-H3313-00 | .EMPAQUE DE LENTE DESTELLADOR .GASKET, FLASHER LENS | 1 | |
| 25 | 95707-06500 | TUERCA DE BRIDA NUT, FLANGE | 2 | |
| 26 | 90110-06852 | TORNILLO ALLEN BOLT, HEXAGON SOCKET HEAD | 2 | |

FIG. 31 FARO DELANTERO

HEADLIGHT

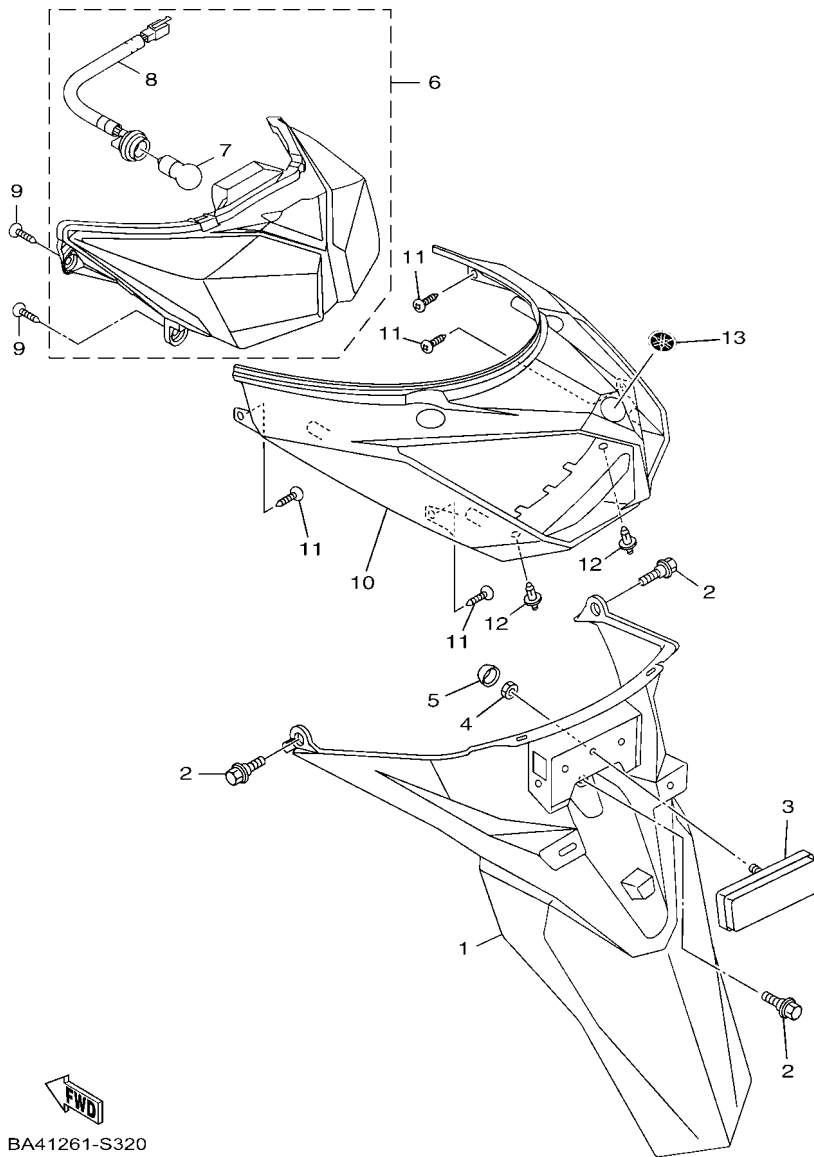


2JS1414-P310

| REF. N° | CODIGO N° PART NO. | DESCRIPCION DESCRIPTION | BA41 | | | | OBSERVACIONES REMARKS |
|---------|--------------------|--|------|--|--|--|-----------------------|
| 1 | 2JS-H4310-00 | UNIDAD DE FARO DELANTERO COMPL HEADLIGHT UNIT ASSY | 1 | | | | |
| 2 | 2JS-H430A-00 | .UNIDAD DE FARO DELANTERO COMPL .HEADLIGHT UNIT ASSY | 1 | | | | |
| 3 | 2JS-H4396-00 | .CUBIERTA .COVER | 2 | | | | |
| 4 | 2JS-H411M-00 | .ENCASTRE COMPLETO .SOCKET ASSY | 2 | | | | |
| 5 | 2JS-H4314-00 | .BOMBILLA (12V-5.5W) .BULB, HEADLIGHT (12V-5.5W) | 2 | | | | |
| 6 | 5FM-H4347-00 | .BOMBILLA (12V-5W) .BULB (12V-5W) | 1 | | | | |
| 7 | 95702-06500 | TUERCA DE BRIDA NUT, FLANGE | 2 | | | | |
| 8 | 90480-13398 | TAPON GROMMET | 2 | | | | |
| 9 | 90387-067N5 | ESPACIADOR COLLAR | 2 | | | | |
| 10 | 90520-01801 | EQUILIBRIO, CUBIERTA DAMPER, PLATE | 2 | | | | |
| 11 | 90119-06821 | TORNILLO CON ARANDELA BOLT, WITH WASHER | 4 | | | | |

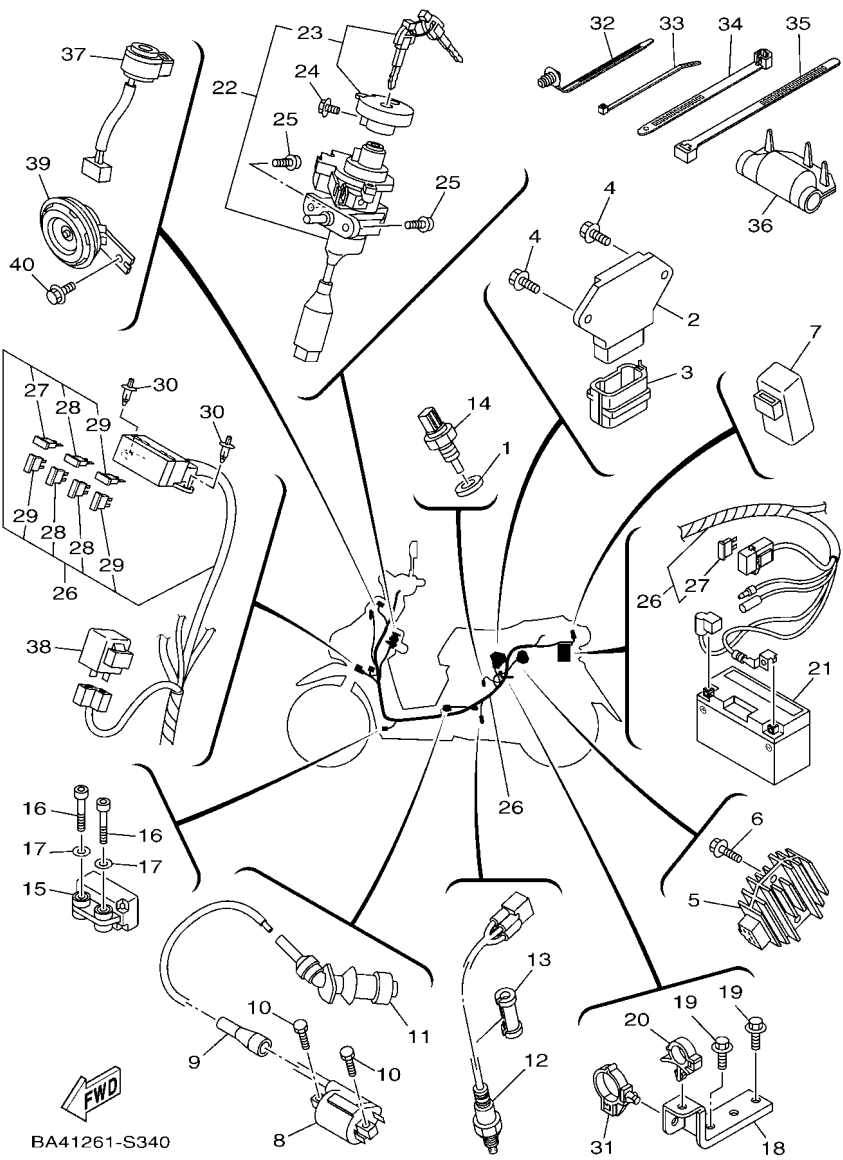
FIG. 32 LUZ DE COLA

TAILLIGHT



FWD
BA41261-S320

| REF. N° | CODIGO N° PART NO. | DESCRIPCION DESCRIPTION | BA41 | | | | OBSERVACIONES REMARKS |
|---------|--------------------|---|------|--|--|--|-----------------------|
| 1 | 2JS-F1685-00 | SOPORTE DE LICENCIA BRACKET, LICENSE | 1 | | | | |
| 2 | 90109-063F1 | PERNO BOLT | 3 | | | | |
| 3 | 46P-H5130-00 | REFLECTOR TRASERO COMPLETO REAR REFLECTOR ASSY | 1 | | | | |
| 4 | 95707-05300 | TUERCA DE BRIDA NUT, FLANGE | 1 | | | | |
| 5 | 3B3-H411V-00 | TAPA CAP | 1 | | | | |
| 6 | 2JS-H4700-00 | FARO TRASERO COMPLET. TAILLIGHT ASSY | 1 | | | | |
| 7 | 5ML-H4714-00 | .BOMBILLA (12V-P21/5W) .BULB (12V-P21/5W) | 1 | | | | |
| 8 | 2JS-H473A-00 | .CABLE COMPLETA .CORD ASSY | 1 | | | | |
| 9 | 97707-50016 | TORNILLO SCREW, TRUSS HEAD TAPPING | 4 | | | | |
| 10 | 2JS-H4716-00 | CUBIERTA DE FARO TRASERO COVER, TAILLIGHT | 1 | | | | |
| 11 | 97707-50016 | TORNILLO SCREW, TRUSS HEAD TAPPING | 4 | | | | |
| 12 | 90269-06803 | REMACHE RIVET | 2 | | | | |
| 13 | BA4-F175C-00 | MARCA TUNING FORK MARK | 1 | | | | |

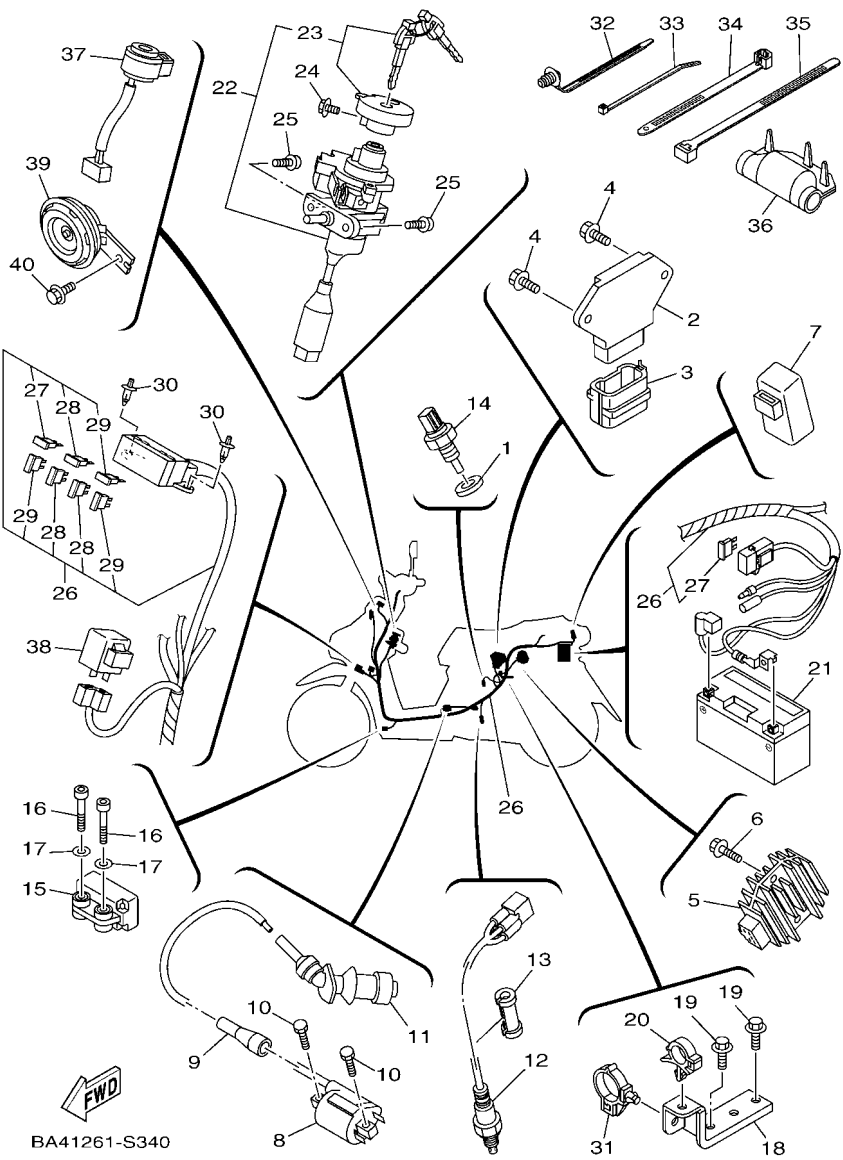


BA41261-S340

FIG. 34 EQUIPO ELECTRICO 1

ELECTRICAL 1

| REF. N° | CODIGO N° PART NO. | DESCRIPCION DESCRIPTION | BA41 | | | | OBSERVACIONES REMARKS |
|---------|--------------------|---|------|--|--|--|-----------------------|
| 1 | 90430-10802 | JUNTA GASKET | 1 | | | | |
| 2 | BA4-H591A-00 | UNIDAD CONTROL ENGINE CONTROL UNIT ASSY | 1 | | | | |
| 3 | 2JS-H1128-00 | GRAMPA CLAMP | 1 | | | | |
| 4 | 95807-06014 | TORNILLO BOLT, FLANGE | 2 | | | | |
| 5 | 5ML-H1960-00 | RECTIFICADOR Y REGULADOR RECTIFIER & REGULATOR ASSY | 1 | | | | |
| 6 | 95807-06020 | TORNILLO BOLT, FLANGE | 2 | | | | |
| 7 | 5WC-H1940-00 | CONJUNTO ARRANCADOR RELEVO STARTER RELAY ASSY | 1 | | | | |
| 8 | 2JS-H2310-00 | BOBINA DE ENCENDIDO COMPLETA IGNITION COIL ASSY | 1 | | | | |
| 9 | 1CE-H2373-00 | SELLO DE CABLE ALTA TENSION SEAL, HIGH TENSION CORD | 1 | | | | |
| 10 | 95023-06020 | TORNILLO BOLT | 2 | | | | |
| 11 | 1P5-H2370-11 | TAPON DE BUJIA COMPLT PLUG CAP ASSY | 1 | | | | |
| 12 | 2EB-H592A-00 | SENSOR SENSOR, OXYGEN | 1 | | | | |
| 13 | 2EB-H5833-00 | TAPON GROMMET, WIRE | 1 | | | | |
| 14 | 4P9-83591-00 | UNIDAD TERMOSTATO THERMO UNIT | 1 | | | | |
| 15 | 32P-H2576-00 | SENSOR ANGULO DE INCLINACION SENSOR, LEAN ANGLE | 1 | | | | |
| 16 | 91312-04025 | TORNILLO BOLT | 2 | | | | |
| 17 | 90201-04027 | ARANDELA PLANA WASHER, PLATE | 2 | | | | |
| 18 | 2JS-E546C-00 | SOPORTE HOLDER | 1 | | | | |
| 19 | 97527-06512 | PERNO CON ARANDELA BOLT, WITH WASHER | 2 | | | | |
| 20 | 90464-16803 | BRIDA CLAMP | 1 | | | | |
| 21 | 52S-H2100-01 | BATERIA COMPLETA (GT7B-4) BATTERY ASSY (GT7B-4) | 1 | | | | |
| 22 | 2JS-H2501-11 | LLAVE DE IGNICION COMPLT MAIN SWITCH STEERING LOCK | 1 | | | | |
| 23 | 2JS-WH250-10-A0 | .OBTURADOR Y LLAVE EN BLANCO .SHUTTER & BLANK KEY | 1 | | | | UR |
| | 2JS-WH250-10-C0 | .OBTURADOR Y LLAVE EN BLANCO .SHUTTER & BLANK KEY | 1 | | | | UR |
| 24 | 90119-05805 | TORNILLO CON ARANDELA BOLT, WITH WASHER | 1 | | | | UR |
| 25 | 98502-06014 | TORNILLO SCREW, PAN HEAD | 2 | | | | |
| 26 | 2JS-H2590-01 | CONJUNTO DE CABLES WIRE HARNESS ASSY | 1 | | | | |



BA41261-S340

FIG. 34 EQUIPO ELECTRICO 1

ELECTRICAL 1

| REF. N° | CODIGO N° PART NO. | DESCRIPCION DESCRIPTION | BA41 | | | | OBSERVACIONES REMARKS |
|---------|--------------------|--|------|--|--|--|-----------------------|
| 27 | 5MH-H2151-00 | .FUSIBLE (20A) .FUZE (20A) | 2 | | | | |
| 28 | 1P5-H2151-10 | .FUSIBLE (10A) .FUZE (10A) | 3 | | | | |
| 29 | 5ML-H2151-20 | .FUSIBLE (7.5A) .FUZE (7.5A) | 3 | | | | |
| 30 | 90269-06803 | REMACHE RIVET | 2 | | | | |
| 31 | 90464-30804 | BRIDA CLAMP | 2 | | | | |
| 32 | 90464-30802 | BRIDA CLAMP | 2 | | | | |
| 33 | 90464-40801 | BRIDA CLAMP | 1 | | | | |
| 34 | 90464-12812 | BRIDA CLAMP | 1 | | | | |
| 35 | 90464-20809 | BRIDA CLAMP | 1 | | | | |
| 36 | 2TC-H252U-00 | CUBIERTA COVER | 1 | | | | |
| 37 | 3XY-H3390-02 | ALAR AUDIO PILOT ASSY | 1 | | | | |
| 38 | 52S-H3350-00 | RELE DE DESTELLADOR COMPL. FLASHER RELAY ASSY | 1 | | | | |
| 39 | 10B-H3371-00 | BOCINA HORN | 1 | | | | |
| 40 | 95807-06010 | TORNILLO BOLT, FLANGE | 1 | | | | |

INDICE NUMERICO
NUMERICAL INDEX

| CODIGO Nº PART NO. | REF. Nº | CODIGO Nº PART NO. | REF. Nº | CODIGO Nº PART NO. | REF. Nº | CODIGO Nº PART NO. | REF. Nº | CODIGO Nº PART NO. | REF. Nº | CODIGO Nº PART NO. | REF. Nº |
|-----------------------|------------|-----------------------|------------|-----------------------|------------|-----------------------|------------|-----------------------|------------|-----------------------|------------|
| 5ML-11133-10 | 1 - 2 | 5ML-E2668-00 | 4 - 8 | 5CA-E5371-00 | 8 - 3 | 3UH-F1481-00 | 12 - 4 | 2JS-F3126-00 | 16 - 3 | BA4-F4110-10 | 17 - 1 |
| 5ML-11134-10 | 1 - 3 | 2JS-E2682-00 | 4 - 15 | 5ML-E5404-00 | 8 - 42 | 5ML-F1481-00 | 12 - 12 | 10B-F312G-00 | 16 - 43 | 1DK-F4135-00 | 17 - 13 |
| 5VU-24135-00 | 17 - 7 | 1P3-E3300-00 | 5 - 1 | 5ML-E5404-00 | 8 - 41 | 5S9-F1482-00 | 12 - 8 | 2JS-F3136-00 | 16 - 21 | 2JS-F4135-00 | 17 - 11 |
| 4P9-83591-00 | 34 - 14 | 1P3-E3318-00 | 5 - 3 | 2UB-E5411-00 | 8 - 21 | 2JS-F1511-00 | 13 - 1 | 2JS-F3141-00 | 16 - 13 | 2JS-F413U-00 | 17 - 27 |
| 2JS-E1102-00 | 1 - 1 | 4D0-E3324-00 | 2 - 7 | 5ML-E5417-00 | 8 - 30 | 2JS-F1521-00 | 13 - 7 | | 16 - 31 | 1DB-F414G-01 | 17 - 5 |
| 5ML-E1111F-00 | 3 - 23 | 1P3-E3325-00 | 5 - 2 | 2JS-E5421-00 | 8 - 17 | 5ML-F1544-01 | 12 - 10 | 2JS-F3142-00 | 16 - 5 | 2JS-F4280-00 | 17 - 20 |
| 5ML-E1145-00 | 3 - 14 | 1P3-E3362-00 | 5 - 4 | 5ML-E5422-00 | 8 - 25 | 2JS-F1552-00 | 13 - 4 | | 16 - 23 | 2JS-F4316-00 | 17 - 15 |
| 4CW-E1155-00 | 1 - 10 | 1P3-E3364-00 | 5 - 5 | 2UB-E5451-00 | 8 - 22 | BA4-F1557-00 | 25 - 17 | 4C6-F3145-00 | 16 - 11 | 2JS-F4317-00 | 17 - 17 |
| 5ML-E1160-00 | 1 - 6 | 5ST-E3365-00 | 5 - 6 | 5ML-E5453-00 | 8 - 33 | 2JS-F1561-00 | 12 - 19 | | 16 - 29 | 2JS-F4318-00 | 17 - 28 |
| 5ML-E1165-00 | 1 - 8 | 5ML-E3411-00 | 5 - 9 | 5ML-E5455-00 | 8 - 28 | BA4-F1568-00 | 25 - 7 | 4C6-F3147-00 | 16 - 14 | 1SH-F4491-00 | 17 - 4 |
| 5ML-E1181-00 | 1 - 18 | 5ML-E3416-00 | 8 - 12 | 5S9-E5461-00 | 8 - 18 | 2JS-F162H-00 | 12 - 20 | | 16 - 32 | 2JS-F4494-00 | 17 - 29 |
| 5ML-E1185-00 | 1 - 7 | 5ML-E3452-00 | 2 - 5 | 2JS-E546C-00 | 34 - 18 | 5CA-F1639-00 | 13 - 10 | 4C6-F3151-00 | 16 - 7 | 1MS-F4610-11 | 17 - 25 |
| 5ML-E1186-00 | 1 - 13 | 4P9-E3556-00 | 6 - 9 | 5ML-E5472-00 | 8 - 45 | BA4-F1668-00 | 18 - 12 | | 16 - 25 | 2JS-F467E-00 | 17 - 8 |
| 5ML-E1311-20 | 1 - 22 | 3KW-E3569-00 | 4 - 3 | 4DM-E5481-00 | 8 - 48 | 2JS-F1685-00 | 32 - 1 | 4P9-F3153-00 | 16 - 42 | BA4-F4726-00 | 18 - 3 |
| 5ML-E1351-00 | 1 - 23 | 4P9-E3575-00 | 6 - 15 | 5ML-E5481-00 | 8 - 24 | 2JS-F1711-00 | 14 - 1 | 4P9-F3154-00 | 16 - 17 | BA4-F4730-00 | 18 - 1 |
| 5ML-E1391-00 | 1 - 27 | 2EB-E3585-00 | 6 - 1 | 5CA-E5521-00 | 9 - 7 | BA4-F1721-10-P0 | 14 - 3 | | 16 - 35 | 2JS-F473R-00 | 18 - 6 |
| 5ML-E1392-00 | 1 - 28 | 4P9-E3595-01 | 6 - 10 | 5S9-E5524-00 | 9 - 1 | BA4-F1721-10-P1 | 14 - 3 | 4P9-F3155-00 | 16 - 16 | 1P3-F4747-01 | 12 - 26 |
| 2JS-E1633-00 | 2 - 1 | 1MS-E3750-00 | 6 - 14 | 5S9-E5532-00 | 9 - 9 | BA4-F1721-10-P2 | 14 - 3 | | 16 - 34 | BA4-F474A-10-7M | 18 - 9 |
| 4C6-E1603-00 | 2 - 12 | 5ML-E3769-00 | 8 - 40 | 5LW-E5538-00 | 9 - 3 | BA4-F1721-10-P3 | 14 - 3 | 4P9-F3157-00 | 16 - 12 | BA4-F474A-10-EY | 18 - 9 |
| 58P-E1631-00 | 2 - 9 | 2EB-E3770-00 | 6 - 2 | 5TY-E5570-01 | 9 - 4 | BA4-F1731-10-P0 | 14 - 7 | | 16 - 30 | BA4-F474A-10-P0 | 18 - 9 |
| 53B-E1633-00 | 2 - 10 | 1SH-E3907-10 | 17 - 2 | 5TY-E5645-00 | 9 - 11 | BA4-F1731-10-P1 | 14 - 7 | 4P9-F3158-00 | 16 - 9 | BA4-F474W-10-7M | 18 - 10 |
| 5LW-E1651-10 | 2 - 4 | 54P-E3938-00 | 6 - 3 | 5S9-E5650-00 | 9 - 5 | BA4-F1731-10-P2 | 14 - 7 | | 16 - 27 | BA4-F474W-10-EY | 18 - 10 |
| 5ML-E1681-00 | 2 - 2 | 2JS-E3971-02 | 17 - 9 | 2JS-E6111-00 | 10 - 2 | BA4-F1731-10-P3 | 14 - 7 | 4P9-F3171-00 | 16 - 8 | BA4-F474W-10-P0 | 18 - 10 |
| 5ML-E2111-00 | 3 - 1 | 1MS-E4137-00 | 6 - 24 | 2JS-E6611-00 | 10 - 26 | BA4-F1747-00 | 24 - 21 | | 16 - 26 | 2JS-F475M-00 | 18 - 2 |
| 2JS-E2113-00 | 3 - 4 | 54P-E4137-00 | 6 - 4 | 2JS-E6620-01 | 10 - 23 | BA4-F175C-00 | 25 - 24 | 4P9-F3181-00 | 16 - 10 | 5ML-F4780-00 | 18 - 13 |
| 4C6-E2117-00 | 3 - 6 | 54P-E4147-00 | 6 - 5 | 4CW-E6626-00 | 10 - 24 | | 32 - 13 | | 16 - 28 | 2JS-F478E-00 | 18 - 15 |
| 5WG-E2118-00 | 3 - 5 | 5CA-E4147-00 | 6 - 6 | 2JS-E7211-00 | 11 - 6 | BA4-F1781-00 | 14 - 11 | 4P9-F318X-00 | 16 - 6 | 2JS-F5168-00-33 | 19 - 1 |
| 5ML-E2119-00 | 3 - 3 | 4P9-E4239-00 | 6 - 11 | 2JS-E7410-00 | 11 - 1 | BA4-F1781-10 | 14 - 11 | | 16 - 24 | 5S9-F5181-00 | 19 - 9 |
| 5ML-E2121-00 | 3 - 2 | BA4-E4410-00 | 6 - 16 | 5S9-E7421-00 | 11 - 5 | BA4-F1781-20 | 14 - 11 | 2JS-F3191-00 | 16 - 18 | 5ML-F5183-00 | 19 - 2 |
| 1P3-E2151-00 | 3 - 7 | 2JS-E4413-00 | 6 - 7 | 2JS-E7611-00 | 10 - 14 | BA4-F1781-30 | 14 - 11 | | 16 - 36 | 2JS-F5338-00-33 | 21 - 1 |
| 5HK-E2156-00 | 3 - 11 | 2JS-E4422-00 | 6 - 21 | 2JS-E7620-00 | 10 - 5 | BA4-F1782-00 | 14 - 12 | 4C6-F3192-00 | 16 - 19 | 5S9-F5715-00 | 23 - 3 |
| 3B3-E2157-00 | 3 - 26 | 1MS-E443E-00 | 6 - 23 | 5ML-E7623-21 | 10 - 8 | BA4-F1782-10 | 14 - 12 | | 16 - 37 | | 23 - 20 |
| 5FM-E2159-00 | 3 - 9 | 2JS-E443G-00 | 6 - 25 | 5ML-E7632-00 | 10 - 7 | BA4-F1782-20 | 14 - 12 | 2JS-F3340-00 | 16 - 38 | 2JS-F580T-20 | 20 - 3 |
| 1P3-E2161-00 | 3 - 8 | 2JS-E4451-00 | 6 - 18 | 2JS-E7641-10 | 10 - 13 | BA4-F1782-30 | 14 - 12 | 1CE-F3346-00 | 16 - 41 | 2JS-F580W-20 | 21 - 8 |
| 2JS-E2170-00 | 3 - 12 | 2JS-E4452-00 | 6 - 20 | 4CW-E7653-00 | 10 - 9 | 58P-F1823-00 | 12 - 30 | 4C6-F3411-10 | 16 - 40 | 2JS-F582T-00 | 20 - 1 |
| 5LW-E2176-00 | 3 - 13 | 2JS-E4461-00 | 6 - 19 | 2JS-E7664-00 | 10 - 20 | 5CA-F1823-20 | 25 - 18 | 4C6-F3412-00 | 16 - 44 | 2JS-F582W-00 | 21 - 4 |
| 5ML-E2210-00 | 3 - 19 | BA6-E4610-00 | 7 - 1 | 2JS-E7670-00 | 10 - 17 | 2JS-F2171-00 | 15 - 1 | 4C6-F3413-00 | 16 - 47 | 2JS-F5852-00 | 23 - 6 |
| 4DH-E2213-01 | 3 - 21 | 1MS-E4613-00 | 7 - 10 | 2JS-E7684-00 | 10 - 22 | BA4-F2210-00 | 15 - 10 | 4C6-F3414-00 | 16 - 46 | | 23 - 23 |
| 5ML-E2231-00 | 3 - 17 | BF9-E4708-00 | 7 - 4 | BA4-F110F-00 | 12 - 31 | 4X6-F2216-00 | 8 - 2 | 4C6-F3415-00 | 16 - 53 | 2JS-F5854-00 | 23 - 4 |
| 5UA-E2232-00 | 3 - 20 | 4CW-E4766-00 | 7 - 5 | BA4-F110G-00 | 12 - 29 | | 15 - 9 | 4C6-F3416-00 | 16 - 49 | | 23 - 21 |
| 5ML-E2241-00 | 3 - 18 | 2JS-E4987-00 | 1 - 24 | BA4-F1110-10 | 12 - 1 | BA4-F2220-00 | 15 - 11 | 4VP-F3418-00 | 16 - 52 | 2JS-F585B-00 | 23 - 5 |
| 2JS-E2611-00 | 4 - 10 | 5ML-E5113-00 | 8 - 38 | 1P3-F112K-30 | 12 - 21 | 2JS-F3100-00 | 16 - 1 | 4C6-F341D-00 | 16 - 48 | | 23 - 22 |
| 2JS-E262H-00 | 4 - 17 | 5ML-E5138-00 | 8 - 5 | 2JS-F116M-00 | 12 - 23 | 2JS-F3102-00 | 16 - 2 | 4C6-F341E-00 | 16 - 45 | 3GF-F5867-00 | 23 - 8 |
| 5ML-E2651-00 | 4 - 1 | 5ML-E5158-00 | 8 - 26 | 5ML-F117G-00 | 12 - 3 | 2JS-F3103-00 | 16 - 20 | BA4-F3441-00-35 | 22 - 4 | | 23 - 25 |
| 4C6-E2652-00 | 4 - 4 | 5ML-E5191-00 | 8 - 27 | | 18 - 21 | 2JS-F3110-00 | 16 - 4 | BA4-F3442-00-35 | 22 - 3 | BA4-F5870-00 | 23 - 1 |
| 5ML-E2653-01 | 4 - 12 | 5ML-E5351-20 | 5 - 8 | 2JS-F1415-00 | 12 - 16 | | 16 - 22 | 2JS-F3461-00 | 22 - 2 | BA4-F5870-10 | 23 - 18 |
| 5ML-E2658-00 | 4 - 7 | 5S9-E5362-00 | 8 - 39 | 5S9-F1420-00 | 12 - 2 | | 16 - 15 | 3KW-F3462-00 | 16 - 39 | 2JS-F5872-00 | 23 - 15 |
| 5ML-E2659-00 | 4 - 2 | 4Y4-E5363-00 | 8 - 15 | 5ML-F1480-10 | 12 - 7 | 4P9-F3113-00 | 16 - 33 | 1MH-F3469-00 | 22 - 6 | 2JS-F5873-00 | 23 - 32 |

INDICE NUMERICO
NUMERICAL INDEX

| CODIGO Nº PART NO. | REF. Nº | CODIGO Nº PART NO. | REF. Nº | CODIGO Nº PART NO. | REF. Nº | CODIGO Nº PART NO. | REF. Nº | CODIGO Nº PART NO. | REF. Nº | CODIGO Nº PART NO. | REF. Nº |
|-----------------------|------------|-----------------------|------------|-----------------------|------------|-----------------------|------------|-----------------------|------------|-----------------------|------------|
| 2JS-F5875-00 | 16 - 59 | 24P-F8100-00 | 12 - 40 | 5S9-H3310-41 | 29 - 1 | 2JS-H473A-00 | 32 - 8 | 90110-06256 | 6 - 13 | 90201-06057 | 7 - 8 |
| 2JS-F5875-10 | 16 - 60 | 2JS-F8300-00 | 25 - 4 | 5SK-H3311-00 | 29 - 3 | 1DK-H5111-00 | 16 - 56 | 90110-06852 | 29 - 26 | 90201-08609 | 1 - 15 |
| 2JS-F5876-00 | 16 - 62 | BA4-F8311-00-P0 | 25 - 1 | | 29 - 10 | 2JS-H5112-00 | 16 - 54 | 90111-06801 | 7 - 9 | 90201-08810 | 24 - 10 |
| 2JS-F5876-10 | 16 - 63 | BA4-F8311-00-P1 | 25 - 1 | | 29 - 17 | 2JS-H5122-00 | 16 - 55 | 90116-08806 | 1 - 5 | 90201-08823 | 22 - 8 |
| 2JS-F587A-00 | 23 - 39 | BA4-F8311-00-P2 | 25 - 1 | | 29 - 22 | 46P-H5130-00 | 32 - 3 | 90119-05022 | 17 - 30 | 90201-10118 | 23 - 17 |
| 2JS-F587A-10 | 23 - 41 | BA4-F8311-00-P5 | 25 - 1 | 5S9-H3312-30 | 29 - 2 | 2EB-H5833-00 | 34 - 13 | | 18 - 16 | | 23 - 34 |
| 2JS-F5886-00 | 12 - 34 | BA4-F8328-00 | 25 - 8 | | 29 - 9 | BA4-H591A-00 | 34 - 2 | 90119-05805 | 34 - 24 | 90201-105A2 | 12 - 6 |
| 2JS-F5887-00 | 23 - 36 | BA4-F8328-10 | 25 - 8 | 5S9-H3313-00 | 29 - 5 | 2EB-H592A-00 | 34 - 12 | 90119-06821 | 13 - 2 | | 12 - 9 |
| 2JS-F5887-10 | 23 - 37 | BA4-F8328-20 | 25 - 8 | | 29 - 12 | BA4-W0041-00 | 23 - 2 | | 13 - 5 | 90201-108A3 | 9 - 8 |
| 2JS-F588G-00 | 23 - 42 | BA4-F8328-30 | 25 - 8 | | 29 - 19 | | 23 - 19 | | 31 - 11 | 90201-120A5 | 10 - 11 |
| 2JS-F5919-00 | 20 - 10 | BA4-F8338-00 | 25 - 9 | | 29 - 24 | 2JS-W0045-00 | 20 - 7 | 90119-06857 | 4 - 11 | 90201-12172 | 8 - 50 |
| 2JS-F5919-10 | 20 - 11 | BA4-F8338-10 | 25 - 9 | 2JS-H3318-00 | 29 - 6 | 2JS-W0046-00 | 21 - 12 | 90119-06875 | 17 - 3 | 90201-12688 | 27 - 5 |
| 2JS-F5919-20 | 21 - 15 | BA4-F8338-20 | 25 - 9 | 5S9-H3320-41 | 29 - 8 | 5S9-W0047-00 | 21 - 10 | 90119-068B2 | 17 - 21 | 90201-15803 | 11 - 3 |
| 2JS-F5919-30 | 21 - 16 | BA4-F8338-30 | 25 - 9 | 2JS-H3328-00 | 29 - 13 | 5NW-W0047-10 | 20 - 5 | 90149-08814 | 20 - 2 | 90201-15831 | 11 - 2 |
| 2JS-F5927-00 | 20 - 8 | BA4-F8345-00-EY | 25 - 13 | 2JS-H3330-00 | 29 - 15 | 2JS-W0048-00 | 20 - 6 | | 21 - 5 | 90201-16801 | 10 - 12 |
| | 21 - 13 | BA4-F8345-00-P0 | 25 - 13 | 2JS-H3332-00 | 29 - 16 | | 21 - 11 | 90154-06826 | 8 - 44 | 90201-220J8 | 21 - 7 |
| 2JS-F5937-00 | 20 - 9 | BA4-F8345-00-P1 | 25 - 13 | | 29 - 21 | 2JS-W0057-00 | 20 - 4 | 90154-06827 | 6 - 22 | 90202-15803 | 12 - 11 |
| | 21 - 14 | 5FM-F8349-00 | 25 - 10 | 5S9-H3333-00 | 29 - 4 | 2JS-W0057-10 | 21 - 9 | | 8 - 47 | 90202-26142 | 16 - 51 |
| BA4-F6111-00 | 22 - 1 | 5ML-F836U-00 | 12 - 14 | | 29 - 11 | BA4-WE440-00 | 6 - 17 | 90155-04802 | 17 - 26 | 90241-10015 | 18 - 5 |
| 1DK-F6124-00 | 22 - 12 | 1CF-F8379-00 | 25 - 11 | | 29 - 18 | 2JS-WE511-00 | 8 - 1 | 90159-05820 | 26 - 11 | 90269-06803 | 14 - 5 |
| 2JS-F6143-00 | 26 - 10 | 5ML-F838N-01 | 25 - 15 | | 29 - 23 | 5S9-WE512-00 | 8 - 4 | 90159-06813 | 14 - 15 | | 14 - 9 |
| 5UA-F6240-00 | 22 - 14 | BA4-F838R-00 | 25 - 16 | 2JS-H3340-00 | 29 - 20 | 2JS-WE766-01 | 10 - 16 | | 14 - 19 | | 32 - 12 |
| 5ML-F6241-01 | 22 - 13 | BA4-F838U-00 | 12 - 33 | 52S-H3350-00 | 34 - 38 | 2JS-WH250-10-A0 | 34 - 23 | 90169-05001 | 25 - 5 | | 34 - 30 |
| 2JS-F627E-00 | 26 - 12 | 2JS-F842M-00 | 12 - 18 | 10B-H3371-00 | 34 - 39 | 2JS-WH250-10-C0 | 34 - 23 | 90170-05800 | 3 - 10 | 90280-03045 | 2 - 8 |
| 5S9-F6280-01 | 26 - 6 | 2JS-H1128-00 | 34 - 3 | 3XY-H3390-02 | 34 - 37 | 2JS-XE543-00 | 8 - 46 | 90170-12800 | 10 - 15 | 90340-12802 | 8 - 49 |
| 5S9-F6290-01 | 26 - 2 | 2JS-H1410-10 | 27 - 2 | 2JS-H3500-40 | 30 - 1 | 2JS-XF161-00 | 13 - 9 | 90170-36279 | 10 - 25 | 90387-067N5 | 31 - 9 |
| 5FA-F6294-00 | 26 - 4 | 2EB-H1450-00 | 27 - 1 | 2JS-H3755-10 | 19 - 11 | 90101-10875 | 15 - 13 | 90176-06011 | 23 - 38 | 90387-06819 | 8 - 43 |
| | 26 - 8 | 5S9-H1800-10 | 28 - 1 | BA4-H3912-00 | 23 - 27 | 90105-06806 | 8 - 37 | | 23 - 40 | 90387-06868 | 13 - 12 |
| 5FA-F629T-00 | 26 - 3 | 3KW-H1801-00 | 28 - 3 | BA4-H3922-00 | 23 - 10 | 90105-06807 | 8 - 36 | 90176-06055 | 12 - 35 | 90387-06870 | 7 - 6 |
| | 26 - 7 | 5S9-H1828-00 | 28 - 5 | 31U-H3936-00 | 22 - 11 | 90105-06808 | 8 - 8 | 90176-08816 | 1 - 16 | 90387-068F8 | 13 - 3 |
| 2JS-F6301-00 | 22 - 15 | 5S9-H183G-10 | 28 - 7 | 37C-H3936-10 | 26 - 1 | 90105-06809 | 8 - 35 | 90179-05849 | 18 - 7 | 90387-068F9 | 4 - 6 |
| 5FA-F6356-01 | 26 - 5 | 5S9-H1890-00 | 28 - 2 | 41D-H3945-00 | 23 - 9 | 90105-06810 | 8 - 9 | 90179-12004 | 27 - 6 | 90387-07598 | 17 - 22 |
| 5FA-F6386-01 | 26 - 9 | 5WC-H1940-00 | 34 - 7 | | 23 - 26 | 90105-06817 | 8 - 10 | 90179-14427 | 10 - 27 | 90387-12852 | 19 - 10 |
| 24P-F7111-20 | 24 - 6 | 5ML-H1960-00 | 34 - 5 | BA4-H3973-00 | 33 - 1 | 90105-06895 | 8 - 20 | 90179-25811 | 16 - 50 | 90387-153N8 | 15 - 5 |
| 5ML-F7113-00 | 24 - 12 | 52S-H2100-01 | 34 - 21 | BA4-H3975-00 | 33 - 4 | 90105-088C7 | 15 - 12 | 90183-04039 | 13 - 6 | 90387-15813 | 15 - 8 |
| 5S9-F7114-01 | 24 - 7 | 2JS-H2129-01 | 18 - 18 | 2JS-H3980-00 | 23 - 13 | 90105-10036 | 22 - 9 | 90183-05816 | 14 - 14 | 90387-16801 | 10 - 10 |
| 52S-F7117-00 | 12 - 37 | BA4-H212B-00 | 18 - 20 | | 23 - 30 | 90105-10638 | 20 - 12 | | 14 - 18 | 90401-10805 | 23 - 16 |
| | 12 - 39 | 5MH-H2151-00 | 34 - 27 | 2JS-H411M-00 | 31 - 4 | | 21 - 17 | | 24 - 3 | | 23 - 33 |
| 5ML-F7117-00 | 24 - 8 | 1P5-H2151-10 | 34 - 28 | 3B3-H411V-00 | 32 - 5 | 90109-06043 | 24 - 4 | | 25 - 6 | 90430-08816 | 8 - 14 |
| 5ML-F7121-00 | 24 - 11 | 5ML-H2151-20 | 34 - 29 | 2JS-H4144-00 | 25 - 21 | 90109-06172 | 14 - 16 | | 25 - 23 | 90430-10802 | 34 - 1 |
| 5SU-F7254-01 | 24 - 16 | 2JS-H215B-00 | 18 - 22 | 2JS-H430A-00 | 31 - 2 | | 14 - 20 | 90183-06813 | 25 - 2 | 90445-21815 | 24 - 15 |
| 24P-F7311-00 | 24 - 17 | 2JS-H2310-00 | 34 - 8 | 2JS-H4310-00 | 31 - 1 | | 18 - 23 | 90185-10110 | 24 - 19 | 90446-13803 | 8 - 6 |
| 2JS-F7413-10 | 14 - 13 | 1P5-H2370-11 | 34 - 11 | 2JS-H4314-00 | 31 - 5 | 90109-063F1 | 32 - 2 | 90185-10801 | 12 - 5 | 90450-43805 | 6 - 27 |
| 2JS-F7423-10 | 14 - 17 | 1CE-H2373-00 | 34 - 9 | 5FM-H4347-00 | 31 - 6 | 90109-06885 | 12 - 32 | | 12 - 13 | 90450-53801 | 25 - 19 |
| BA4-F7430-00 | 12 - 36 | 2JS-H2501-11 | 34 - 22 | 2JS-H4396-00 | 31 - 3 | | 18 - 8 | 90185-10814 | 22 - 7 | 90450-55803 | 17 - 16 |
| BA4-F7440-00 | 12 - 38 | 2TC-H252U-00 | 34 - 36 | 2JS-H4700-00 | 32 - 6 | | 25 - 20 | | 22 - 10 | 90464-10800 | 4 - 5 |
| 5HK-F7475-00 | 24 - 5 | 32P-H2576-00 | 34 - 15 | 5ML-H4714-00 | 32 - 7 | 90109-068A0 | 25 - 12 | 90185-14124 | 21 - 6 | 90464-12812 | 34 - 34 |
| 2JS-F7481-00 | 24 - 1 | 2JS-H2590-01 | 34 - 26 | 2JS-H4716-00 | 32 - 10 | 90109-10005 | 24 - 18 | 90201-04027 | 34 - 17 | 90464-14803 | 19 - 12 |

INDICE NUMERICO
NUMERICAL INDEX

| CODIGO Nº PART NO. | REF. Nº | CODIGO Nº PART NO. | REF. Nº | CODIGO Nº PART NO. | REF. Nº | CODIGO Nº PART NO. | REF. Nº | CODIGO Nº PART NO. | REF. Nº | CODIGO Nº PART NO. | REF. Nº |
|-----------------------|------------|-----------------------|------------|-----------------------|------------|-----------------------|------------|-----------------------|------------|-----------------------|------------|
| 90464-16803 | 17 - 10 | 91810-14807 | 8 - 7 | 95023-06020 | 34 - 10 | 97707-50012 | 14 - 2 | | | | |
| | 22 - 18 | | 8 - 19 | 95027-06010 | 8 - 29 | 97707-50016 | 14 - 4 | | | | |
| | 23 - 35 | | 8 - 23 | 95027-06010 | 9 - 10 | | 14 - 8 | | | | |
| | 34 - 20 | 92012-05010 | 29 - 7 | | 9 - 12 | | 24 - 2 | | | | |
| 90464-20809 | 34 - 35 | | 29 - 14 | | 30 - 2 | | 25 - 3 | | | | |
| 90464-30802 | 34 - 32 | 92990-06600 | 7 - 2 | 95027-06016 | 1 - 26 | | 25 - 22 | | | | |
| 90464-30804 | 34 - 31 | 93102-19293 | 8 - 31 | 95027-06020 | 1 - 12 | | 32 - 9 | | | | |
| 90464-40801 | 34 - 33 | 93102-22800 | 10 - 4 | 95027-06025 | 23 - 14 | | 32 - 11 | | | | |
| 90467-12052 | 17 - 31 | 93102-22843 | 8 - 11 | | 23 - 31 | 97707-60516 | 4 - 13 | | | | |
| 90467-13042 | 1 - 25 | 93102-32800 | 11 - 10 | 95602-06200 | 16 - 57 | 97707-60520 | 4 - 18 | | | | |
| 90467-20810 | 17 - 19 | 93104-41801 | 10 - 18 | 95604-08200 | 24 - 9 | 97707-60530 | 4 - 9 | | | | |
| 90468-08812 | 17 - 18 | 93106-17805 | 19 - 3 | 95607-06100 | 23 - 11 | 98502-06014 | 34 - 25 | | | | |
| 90480-01326 | 17 - 24 | 93106-28809 | 15 - 4 | | 23 - 28 | 98502-06016 | 27 - 3 | | | | |
| 90480-12497 | 4 - 16 | 93109-21800 | 10 - 6 | 95607-12200 | 19 - 8 | 98507-05020 | 5 - 7 | | | | |
| 90480-12809 | 7 - 7 | 93109-28811 | 15 - 3 | 95702-06500 | 12 - 25 | 98707-04012 | 23 - 7 | | | | |
| 90480-12813 | 13 - 13 | 93210-09802 | 1 - 4 | | 17 - 12 | | 23 - 24 | | | | |
| 90480-13398 | 31 - 8 | 93210-14805 | 8 - 16 | | 18 - 4 | 98907-05014 | 18 - 19 | | | | |
| 90480-18290 | 17 - 23 | 93210-15862 | 3 - 25 | | 31 - 7 | 98980-06020 | 4 - 14 | | | | |
| 90501-10312 | 23 - 12 | 93210-26668 | 28 - 6 | 95702-08500 | 7 - 11 | 99009-25400 | 11 - 7 | | | | |
| | 23 - 29 | 93210-29800 | 5 - 11 | 95707-05300 | 32 - 4 | 99009-42500 | 15 - 6 | | | | |
| 90501-16004 | 5 - 10 | 93210-29802 | 6 - 12 | 95707-06500 | 29 - 25 | 99480-05010 | 8 - 34 | | | | |
| 90501-43805 | 10 - 21 | 93210-43800 | 10 - 19 | 95707-10500 | 15 - 14 | | | | | | |
| 90506-20803 | 24 - 14 | 93210-54008 | 1 - 14 | 95802-06016 | 18 - 14 | | | | | | |
| 90506-26803 | 24 - 20 | 93210-55669 | 28 - 4 | 95807-06010 | 12 - 22 | | | | | | |
| 90506-40800 | 24 - 13 | 93210-71803 | 1 - 11 | | 12 - 24 | | | | | | |
| 90520-01001 | 12 - 28 | 93211-07801 | 8 - 32 | | 34 - 40 | | | | | | |
| 90520-01801 | 12 - 15 | 93306-003Y4 | 8 - 51 | 95807-06012 | 16 - 64 | | | | | | |
| | 12 - 27 | 93306-201Y7 | 19 - 4 | | 17 - 14 | | | | | | |
| | 13 - 8 | 93306-203YS | 10 - 1 | | 23 - 43 | | | | | | |
| | 14 - 6 | 93306-272X0 | 10 - 3 | 95807-06014 | 16 - 58 | | | | | | |
| | 14 - 10 | 93306-272Y0 | 11 - 9 | | 16 - 61 | | | | | | |
| | 25 - 14 | 93306-301YA | 19 - 5 | | 34 - 4 | | | | | | |
| | 31 - 10 | 93306-301YL | 11 - 11 | 95807-06016 | 13 - 11 | | | | | | |
| 90520-05820 | 18 - 17 | 93306-302X1 | 15 - 7 | 95807-06020 | 34 - 6 | | | | | | |
| 91312-04025 | 34 - 16 | 93306-303Y8 | 11 - 8 | 95817-06030 | 6 - 8 | | | | | | |
| 91312-05010 | 17 - 6 | 93306-372X2 | 2 - 6 | 95817-08016 | 3 - 15 | | | | | | |
| 91317-05010 | 22 - 16 | 93310-450X2 | 9 - 2 | | 8 - 13 | | | | | | |
| | 22 - 17 | 93310-528Y9 | 2 - 3 | 95817-08040 | 7 - 13 | | | | | | |
| 91317-05020 | 33 - 3 | 93311-315Y2 | 11 - 4 | 95817-10040 | 7 - 12 | | | | | | |
| | 33 - 6 | 93315-110Y6 | 9 - 6 | 95822-06012 | 12 - 17 | | | | | | |
| 91317-05030 | 33 - 2 | 93450-16068 | 2 - 11 | 95827-08045 | 15 - 2 | | | | | | |
| | 33 - 5 | 93900-00802 | 19 - 6 | 97080-06008 | 7 - 3 | | | | | | |
| 91317-06012 | 3 - 24 | | 21 - 2 | 97502-06525 | 28 - 8 | | | | | | |
| 91317-06016 | 3 - 22 | 94112-12809 | 19 - 7 | 97517-06512 | 1 - 9 | | | | | | |
| 91317-06100 | 1 - 21 | 94113-12804 | 21 - 3 | 97527-06512 | 34 - 19 | | | | | | |
| 91317-08025 | 22 - 5 | 94568-75094 | 3 - 16 | 97607-06225 | 27 - 4 | | | | | | |
| 91810-14807 | 1 - 19 | 94700-00881 | 1 - 17 | 97607-06230 | 6 - 28 | | | | | | |
| | 1 - 20 | 95022-08030 | 18 - 11 | 97707-40012 | 6 - 26 | | | | | | |