



# **PARTS CATALOGUE**

CY50M(3SAB)CANADA

CY50M(4FB9)USA

**YAMAHA**  
**GENUINE**  
Parts & Accessories

204FB-100E1



A3

# FOREWORD

This Parts Catalogue is related to the parts for the model(s) in the below frame. When you are ordering replacement parts, please refer to this Parts Catalogue and quote both part numbers and part names correctly.

CY50M(3SAB/4FB9)

1. Modifications or additions which have been made after issue of the Parts Catalogue will be announced in the Yamaha Parts News. It is advisable that you make necessary corrections to the Parts Catalogue according to the Yamaha Parts News.

2. Abbreviations  
The Following abbreviations are used in this Parts Catalogue.

"UR" Use specified parts number.  
 "UN" Use as many as needed.  
 "AP" Alternate Parts  
 "LM" Local Made (Parts need to be ordered locally)  
 "F#" Frame No. (Applicable machine No.)

3. Parts, which are to be supplied in an assembly, are listed with a dot(.) in front of the part name as shown below.

EXAMPLE

CARBURETOR ASSY  
 .JET, PILOT  
 .NOZZLE, MAIN

4. Number of component for assembly  
The numeral appearing to the right of each component part indicates the quantity of parts for each assembly unit.

EXAMPLE

PART NO.	DESCRIPTION	Q'TY	REMARKS
2F5-83310-60	FRONT FLASHER LIGHT ASSY	2	
115-83311-60	.BULB (6V-18W)	1	
1M1-83309-60	.REFLECTOR	1	

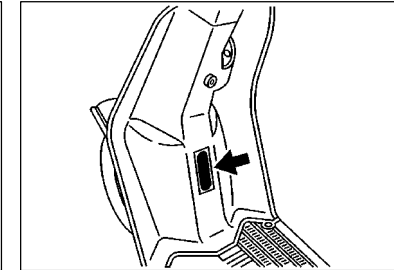
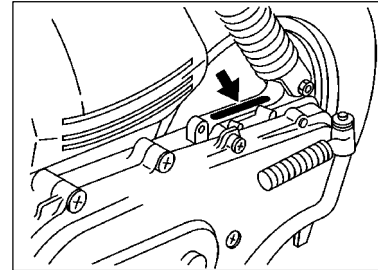
5. Applicable colors of graphics are represented in the "REMARKS" as shown below.

PART NO.	DESCRIPTION	Q'TY	REMARKS
2N4-24110-00-X5	.FUEL TANK COMP.	2	MXR
3J1-24240-10	.GRAPHIC, FUEL TANK	1	for MXR

6. Applicable Serial No.

Engine Serial No.

Frame Serial No.

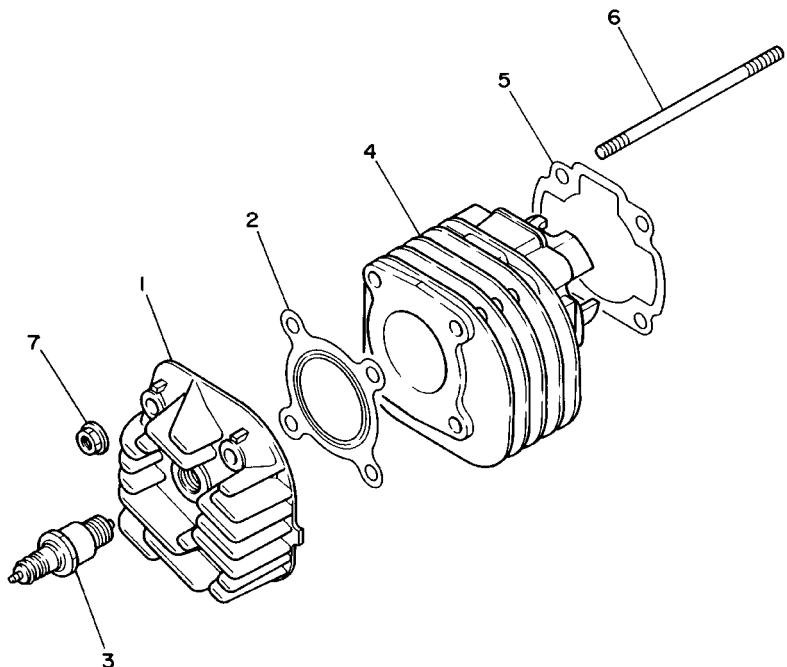


7. Note that the illustrations for reference in funding parts numbers, not to be used for assembling. When assembling, please use the applicable service manual.
8. The asterisk (\*) before a reference number indicates modification items after the first edition.



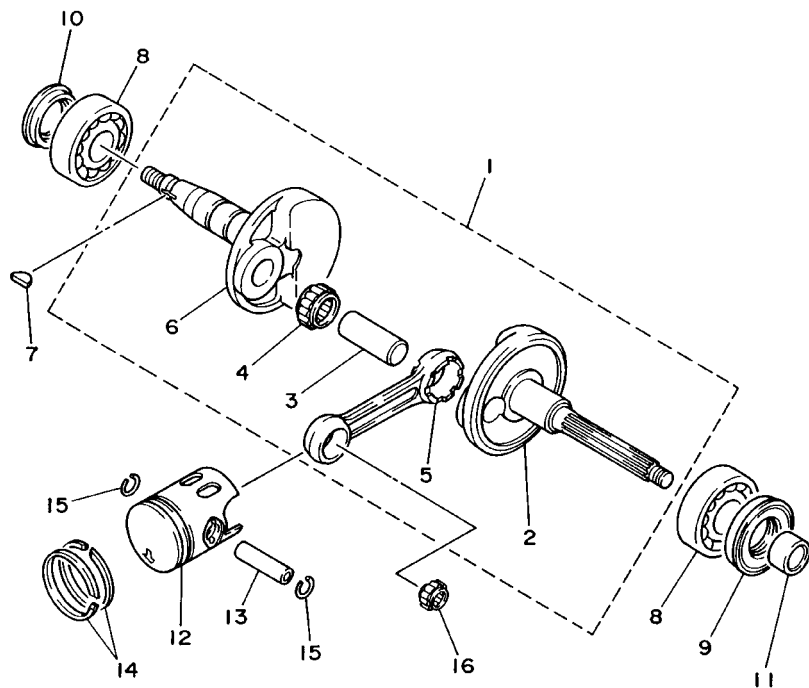
FIG. 1 CYLINDER

REF. NO.	PART NO.	DESCRIPTION	4FB9	3SAB				REMARKS
1	3KJ-11111-10	HEAD, CYLINDER 1	1	1				
2	3KJ-11181-00	GASKET, CYLINDER HEAD 1	1	1				
3	94701-00110	PLUG, SPARK (NGK BR7HS)	1	1				
4	3KJ-11311-10	CYLINDER 1	1	1				
5	4FB-11351-00	GASKET, CYLINDER	1	1				
6	90116-07353	BOLT, STUD	4	4				
7	90179-07381	NUT	4	4				



3KJ1010-9010

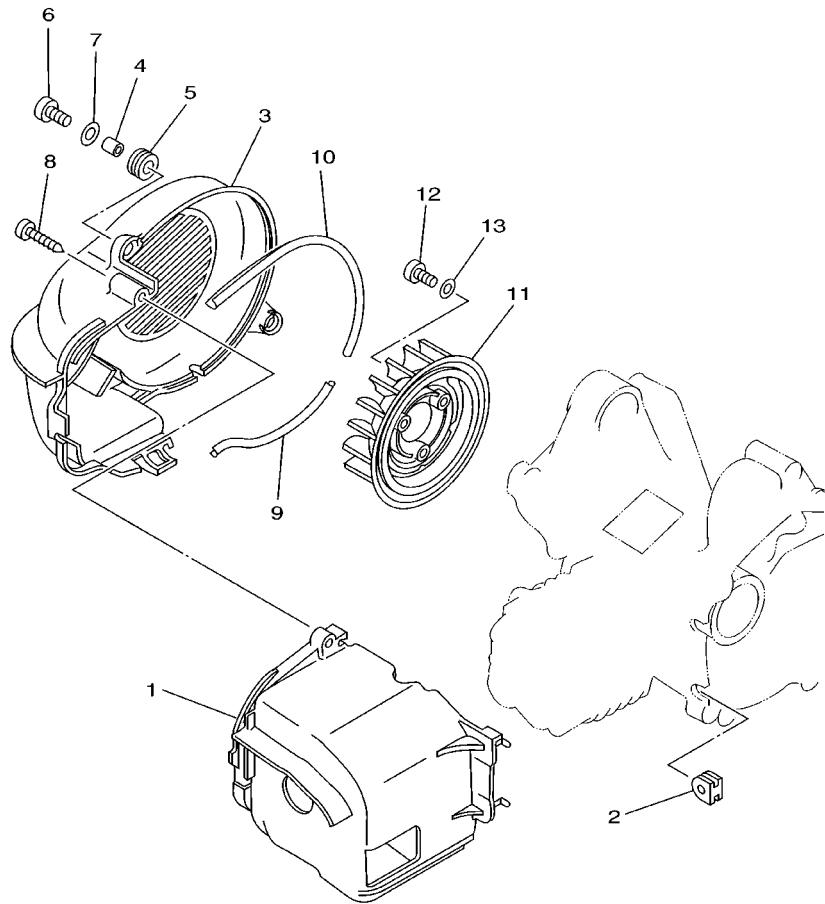
FIG. 2 CRANKSHAFT. PISTON



REF. NO.	PART NO.	DESCRIPTION	4FB9	3SAB			REMARKS
1	3KJ-11400-01	CRANKSHAFT ASSY	1	1			
2	3KJ-11412-01	.CRANK 1	1	1			
3	1YU-11681-00	.PIN, CRANK 1	1	1			
4	93310-416N7	.BEARING	1	1			
5	2E9-11651-00	.ROD, CONNECTING	1	1			
6	3KJ-11422-01	.CRANK 2	1	1			
7	90280-03017	KEY, WOODRUFF	1	1			
8	93306-20458	BEARING	2	2			
9	93102-20425	OIL SEAL	1	1			
10	93101-20138	OIL SEAL	1	1			
11	90387-156U0	COLLAR	1	1			
12	3CP-11631-00-96	PISTON (STD)	1	1			
	3CP-11636-00	PISTON (0.50MM O/S)	1	1			AP
13	27V-11633-00	PIN, PISTON	1	1			
14	260-11610-02	PISTON RING SET (STD)	1	1			
	260-11610-22	PISTON RING SET (0.50MM O/S)	1	1			AP
15	93450-11120	CIRCLIP	2	2			
16	93310-210M0	BEARING	1	1			

  
3KJ1010-9020

FIG. 3 AIR SHROUD. FAN

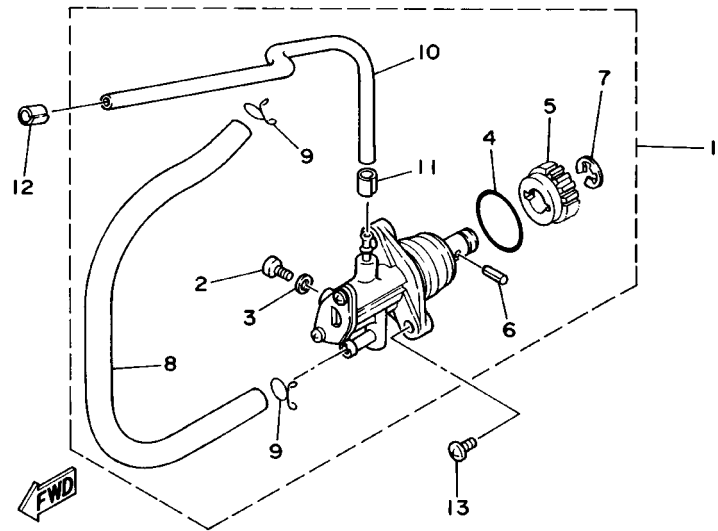
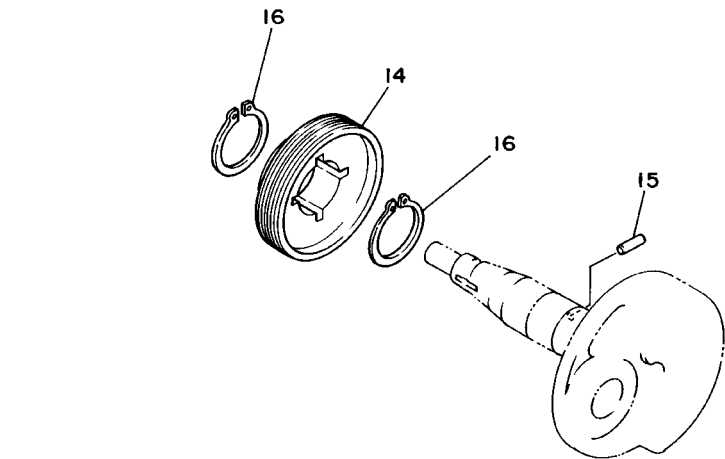


REF. NO.	PART NO.	DESCRIPTION	4FB9	3SAB				REMARKS
1	3KJ-12651-11	AIR SHROUD, CYLINDER 1	1	1				
2	90480-10468	GROMMET	2	2				
3	3KJ-12653-01	AIR SHROUD, CYLINDER 3	1	1				
4	90387-067V1	COLLAR	2	2				
5	90480-12497	GROMMET	2	2				
6	98507-06020	SCREW, PAN HEAD	2	2				
7	92907-06600	WASHER, PLATE	2	2				
8	97707-60540	SCREW, TAPPING	1	1				
9	4FW-12658-00	DAMPER, AIR SHROUD 1	1	1				
10	4FW-12659-00	DAMPER, AIR SHROUD 2	1	1				
11	3KJ-12611-00	FAN	1	1				
12	98507-06014	SCREW, PAN HEAD	3	3				
13	92907-06600	WASHER, PLATE	3	3				

  
4FB7100-8031

FIG. 4 OIL PUMP

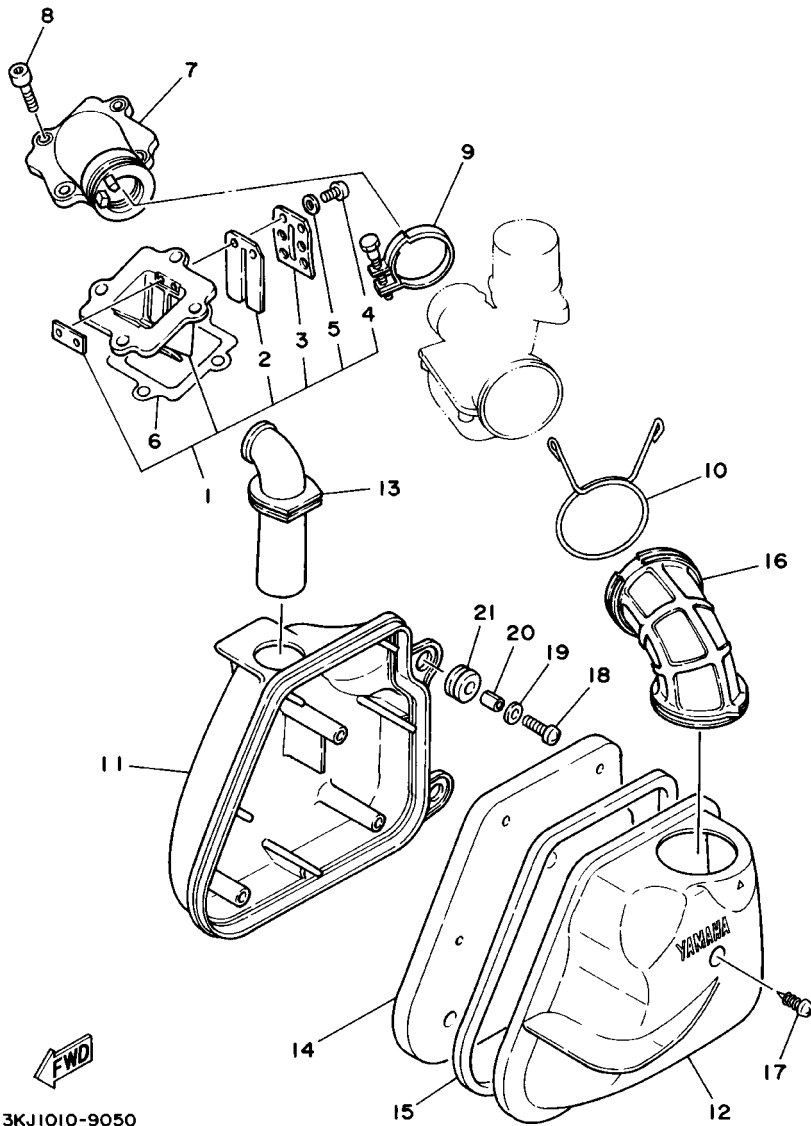
REF. NO.	PART NO.	DESCRIPTION	4FB9	3SAB	REMARKS
1	3KJ-13100-01	OIL PUMP ASSY	1	1	
2	1YU-13185-00	.BOLT, BREATHER	1	1	
3	1YU-13187-00	.GASKET, BREATHER BOLT	1	1	
4	1YU-13473-00	.O-RING	1	1	
5	3AA-13124-00	.GEAR WORM WHEEL (40T)	1	1	
6	1YU-13516-00	.PIN, DOWEL	1	1	
7	1YU-13577-00	.CLIP	1	1	
8	90445-09304	.HOSE	1	1	
9	90467-08003	.CLIP	2	2	
10	90445-05431	.HOSE	1	1	
11	90468-02033	.CLIP	1	1	
12	90468-02033	CLIP	1	1	
13	91317-05014	BOLT	1	1	
14	2GM-13178-00	GEAR, PUMP DRIVE	1	1	
15	93603-12007	PIN, DOWEL	1	1	
16	99009-19400	CIRCLIP	2	2	



3KJ1010-9040

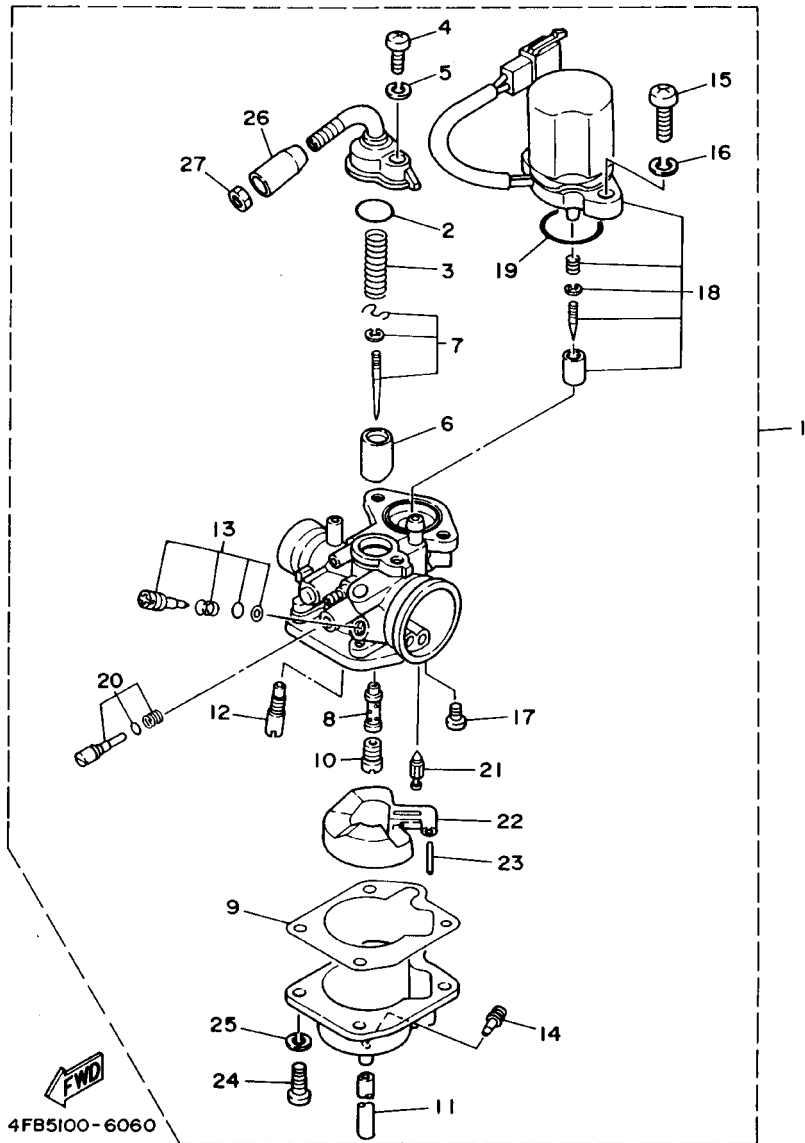


FIG. 5 INTAKE



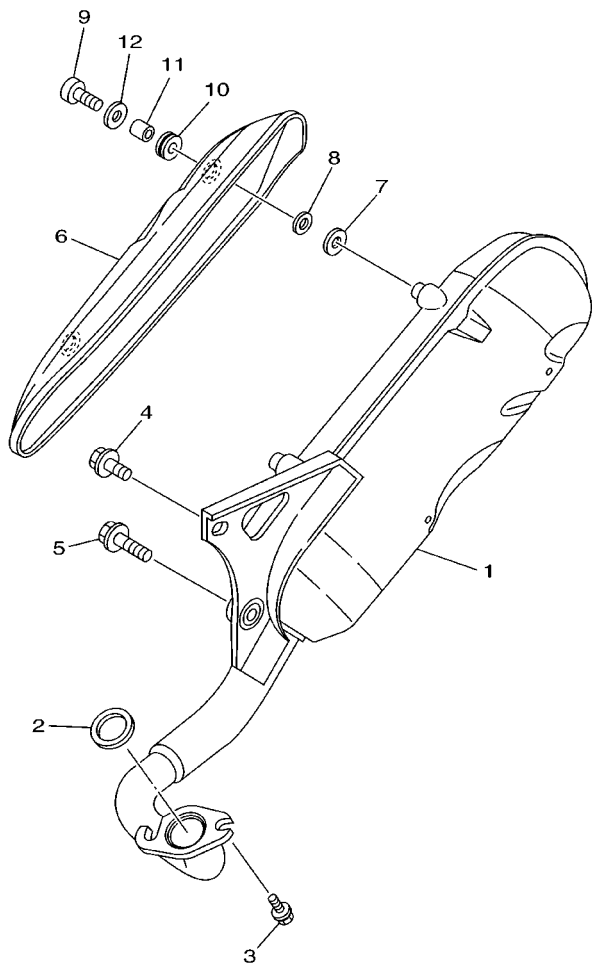
REF. NO.	PART NO.	DESCRIPTION	4FB9	3SAB				REMARKS
1	3KJ-13610-00	REED VALVE ASSY	1	1				
2	3KJ-13613-00	.REED, VALVE	2	2				
3	3KJ-13616-00	.STOPPER, REED VALVE	2	2				
4	98507-03008	.SCREW, PAN HEAD	4	4				
5	92907-03600	.WASHER	4	4				
6	4FB-13621-00	GASKET, VALVE SEAT	1	1				
7	3KJ-13555-00	MANIFOLD, INTAKE	1	1				
8	91318-06020	BOLT	4	4				
9	90450-32081	HOSE CLAMP ASSY	1	1				
10	90467-24140	CLIP	1	1				
11	3KJ-14411-30	CASE, AIR CLEANER 1	1	1				
12	3KJ-14412-30	CAP, CLEANER CASE 1	1	1				
13	3KJ-14437-00	DUCT	1	1				
14	4CY-14451-00	ELEMENT, AIR CLEANER	1	1				
15	3KJ-14452-30	SEAL	1	1				
16	4JC-14453-01	JOINT, AIR CLEANER 1	1	1				
17	97707-50125	SCREW, TAPPING	3	3				
18	98507-06020	SCREW, PAN HEAD	2	2				
19	92907-06600	WASHER, PLATE	2	2				
20	90387-067V1	COLLAR	2	2				
21	90480-12497	GROMMET	2	2				

FIG. 6 CARBURETOR



REF. NO.	PART NO.	DESCRIPTION	4FB9	3SAB	REMARKS
1	3KJ-14301-41	CARBURETOR ASSY 1	1	1	
2	4JP-14561-00	.O-RING	1	1	
3	1YU-14331-00	.SPRING, THROTTLE VALVE	1	1	
4	98580-05016	.SCREW, PAN HEAD	1	1	
5	92901-05100	.WASHER, SPRING	1	1	
6	3KJ-14312-25	.VALVE, THROTTLE 1	1	1	
7	3KJ-1490J-10	.NEEDLE SET	1	1	
8	14T-14341-00	.NOZZLE, MAIN	1	1	
9	14T-14384-00	.GASKET, FLOAT CHAMBER	1	1	
10	14T-14343-38	.JET, MAIN (# 76)	1	1	
11	3KJ-14349-01	.PIPE	1	1	
12	3KJ-14353-21	.JET, PILOT (# 42)	1	1	
13	4JP-14104-00	.AIR SCREW SET	1	1	
14	14T-14323-00	.SCREW, AIR ADJUSTING	1	1	
15	92580-06016	.SCREW	2	2	
16	92901-06100	.WASHER, SPRING	2	2	
17	98501-03006	.SCREW, PAN HEAD	1	1	
18	4MN-1410A-00	.STARTER SET	1	1	
19	1HV-14147-00	.O-RING	1	1	
20	3YJ-14103-00	.THROTTLE SCREW SET	1	1	
21	2JA-14392-00	.VALVE, NEEDLE	1	1	
22	1HV-14385-01	.FLOAT	1	1	
23	367-14386-00	.PIN, FLOAT	1	1	
24	98580-04016	.SCREW, PAN HEAD	4	4	
25	92901-04100	.WASHER, SPRING	4	4	
26	3KJ-26329-00	.CAP, RUBBER	1	1	
27	288-14161-00	.NUT, CABLE ADJUSTING	1	1	

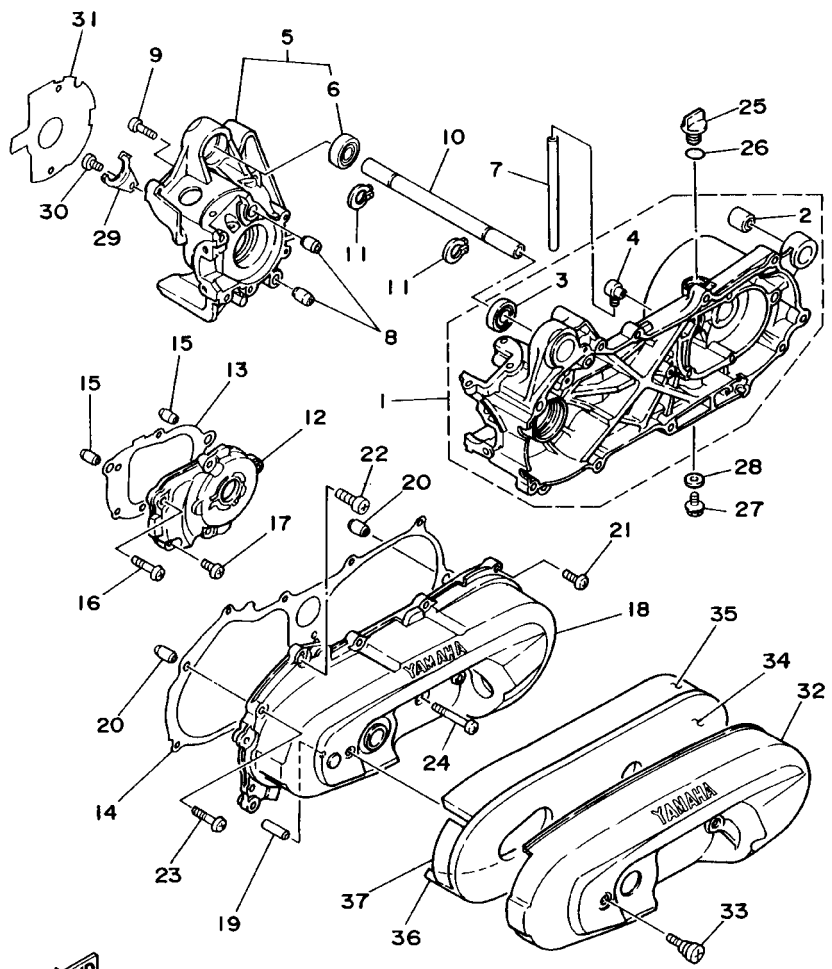
FIG. 7 EXHAUST



REF. NO.	PART NO.	DESCRIPTION	4FB9	3SAB				REMARKS
1	3KJ-14610-15	EXHAUST PIPE ASSY 1	1	1				
2	3HK-14613-00	GASKET, EXHAUST PIPE	1	1				
3	90153-06061	SCREW, HEXAGON	2	2				
4	95817-08020	BOLT, FLANGE	1	1				
5	95817-08030	BOLT, FLANGE	1	1				
6	2JA-14718-00	PROTECTOR, MUFFLER 1	1	1				
7	3HK-14766-01	WASHER, PROTECTOR	2	2				
8	92907-06200	WASHER	2	2				
9	98907-06016	SCREW, BIND	2	2				
10	90480-12237	GROMMET	2	2				
11	90387-060G7	COLLAR	2	2				
12	4FB-14766-00	WASHER, PROTECTOR	2	2				

  
4FB9100-0070

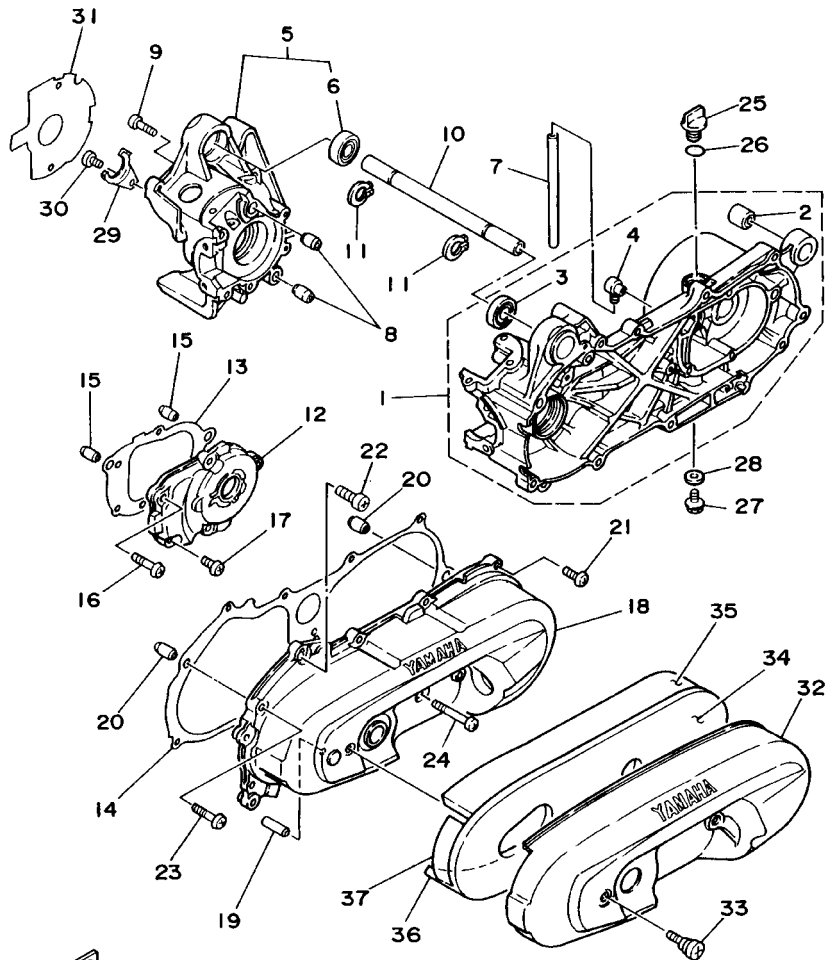
FIG. 8 CRANKCASE



4FB5100-6080

REF. NO.	PART NO.	DESCRIPTION	4FB9	3SAB				REMARKS
1	3KJ-15110-03	CRANKCASE ASSY 1	1	1				
2	164-22216-00	.BUSH, REAR SHOCK ABSORBER	1	1				
3	93306-00319	.BEARING	1	1				
4	3YJ-15371-00	.BREATHER	1	1				
5	3KJ-15120-02	CRANKCASE ASSY 2	1	1				
6	93306-00319	.BEARING	1	1				
7	90446-11347	HOSE	1	1				
8	99530-12016	PIN, DOWEL	2	2				
9	98507-06035	SCREW, PAN HEAD	6	6				
10	3KJ-15317-00	SPACER, ENGINE MOUNT	1	1				
11	99009-17400	CIRCLIP	2	2				
12	3KJ-15421-00	COVER, CRANKCASE 2	1	1				
13	4FB-15461-00	GASKET, CRANKCASE COVER 2	1	1				
14	4FB-15451-00	GASKET, CRANKCASE COVER 1	1	1				
15	99530-10114	PIN, DOWEL	2	2				
16	98507-06035	SCREW, PAN HEAD	2	2				
17	98507-06020	SCREW, PAN HEAD	3	3				
18	3YJ-15411-01	COVER, CRANKCASE 1	1	1				
19	3KJ-15659-00	SHAFT	1	1				
20	99530-10114	PIN, DOWEL	2	2				
21	98507-06025	SCREW, PAN HEAD	7	7				
22	97880-06025	SCREW, PAN HEAD	1	1				
23	98507-06035	SCREW, PAN HEAD	2	2				
24	98507-06065	SCREW, PAN HEAD	1	1				
25	2T4-15363-00	PLUG, OIL	1	1				
26	93210-14104	O-RING	1	1				
27	95807-08016	BOLT, FLANGE	1	1				

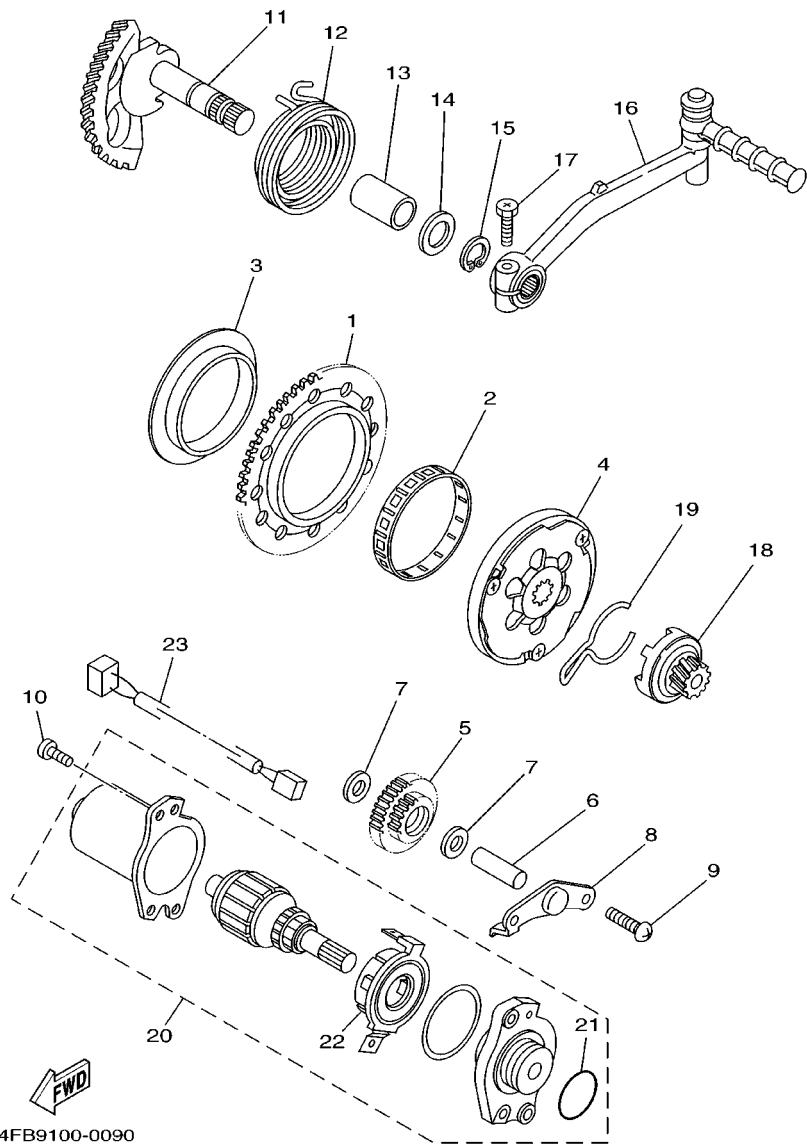
FIG. 8 CRANKCASE



4FB5100-6080

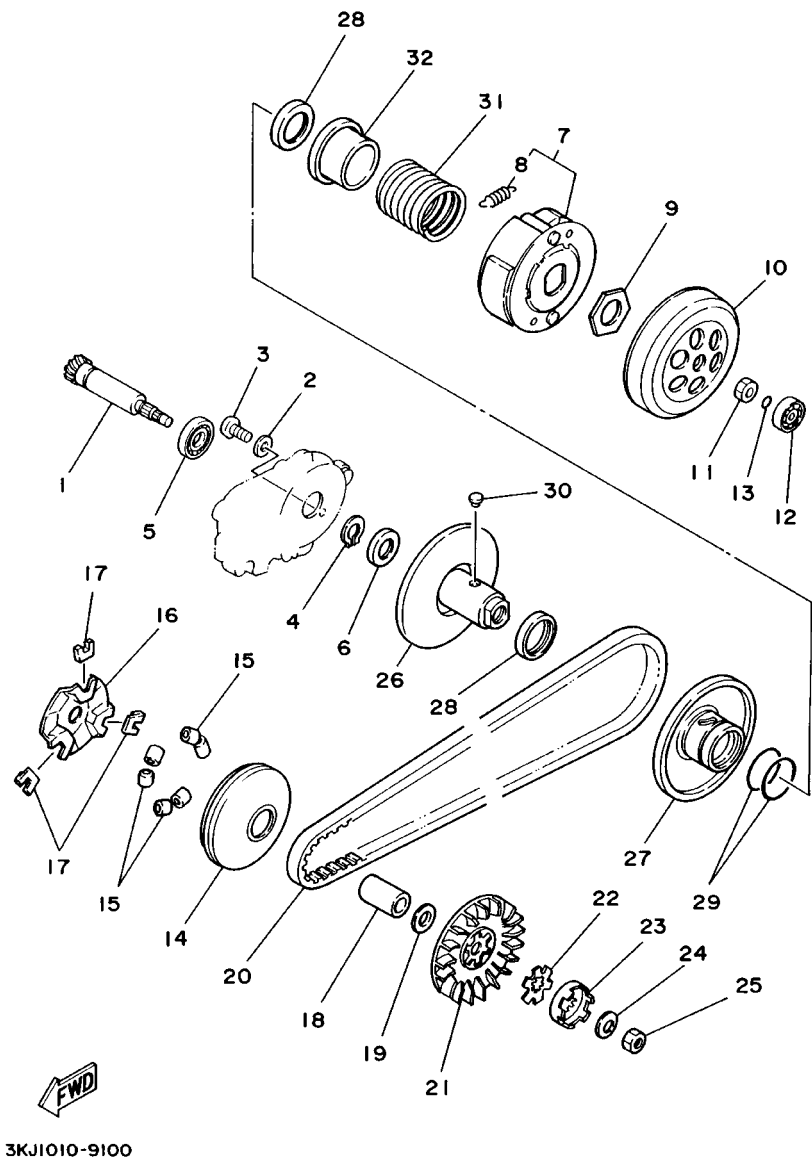
REF. NO.	PART NO.	DESCRIPTION	4FB9	3SAB				REMARKS
28	90430-08119	GASKET	1	1				
29	1HV-15128-00	HOLDER	1	1				
30	98507-06012	SCREW, PAN HEAD	1	1				
31	4FB-15462-00	GASKET, CRANKCASE COVER 3	1	1				
32	3YJ-15431-00	COVER, CRANKCASE 3	1	1				
33	3KJ-15481-00	BOLT 1	2	2				
34	3KJ-15316-00	DAMPER, ENGINE MOUNT 1	1	1				
35	3YJ-15326-00	DAMPER, ENGINE MOUNT 2	1	1				
36	3KJ-15335-00	DAMPER 3	1	1				
37	3KJ-15337-00	DAMPER 4	1	1				

FIG. 9 STARTER

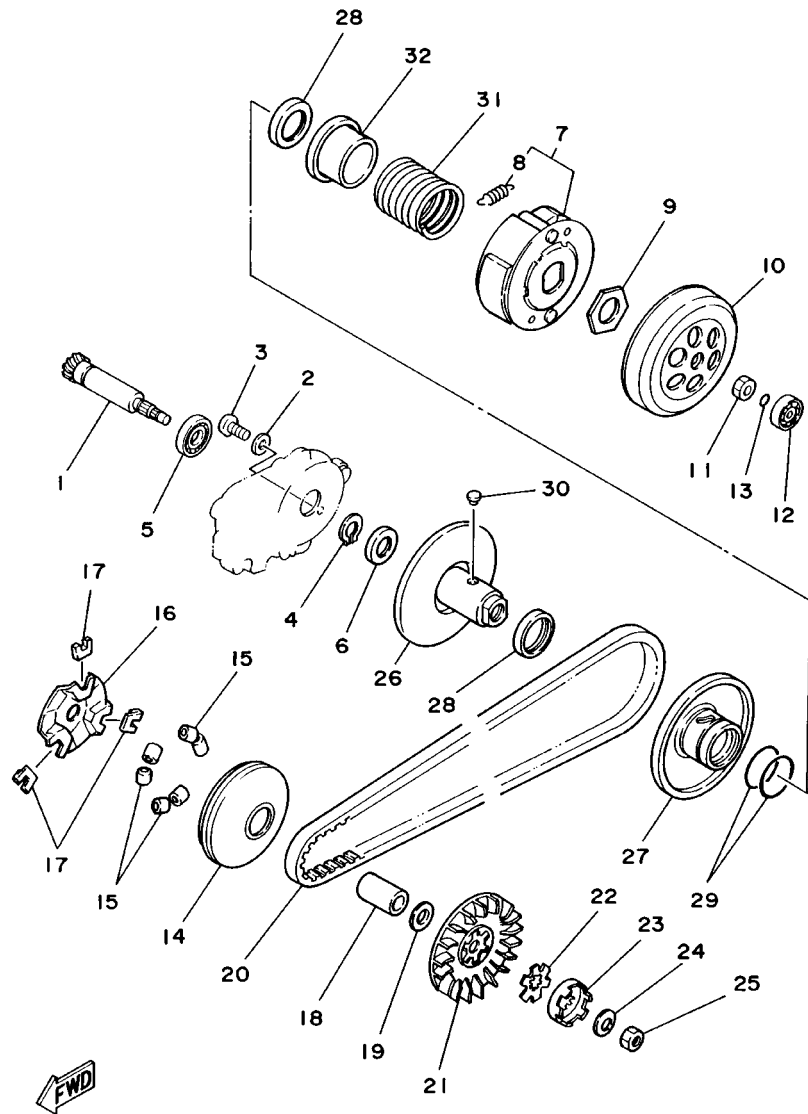


REF. NO.	PART NO.	DESCRIPTION	4FB9	3SAB				REMARKS
1	4JP-15513-00	GEAR 1	1	1				
2	93310-257R1	BEARING	1	1				
3	3KJ-15528-00	BOSS, GEAR	1	1				
4	3KJ-15570-01	STARTER CLUTCH ASSY	1	1				
5	4JP-15650-00	IDLE GEAR ASSY	1	1				
6	50M-13342-00	SHAFT, IDLE GEAR	1	1				
7	90201-08088	WASHER, PLATE	2	2				
8	3KJ-15532-00	PLATE, IDLE GEAR	1	1				
9	98507-06012	SCREW, PAN HEAD	2	2				
10	91318-06020	BOLT	2	2				
11	5BM-15601-01	KICK SHAFT ASSY	1	1				
12	90508-32609	SPRING, TORSION	1	1				
13	90380-15240	BUSH, SOLID	1	1				
14	90201-155G5	WASHER, PLATE	1	1				
15	99009-15400	CIRCLIP	1	1				
16	3KJ-15620-02	KICK CRANK ASSY	1	1				
17	90153-06008	SCREW, HEXAGON	1	1				
18	3AA-15631-00	GEAR, KICK PINION (10T)	1	1				
19	32N-15673-00	CLIP	1	1				
20	5BM-81800-01	STARTING MOTOR ASSY	1	1				
21	5BM-8182L-00	.O-RING	1	1				
22	5BM-81801-01	.BRUSH SET	1	1				
23	3KJ-82541-00	WIRE, LEAD	1	1				

FIG. 10 CLUTCH



REF. NO.	PART NO.	DESCRIPTION	4FB9	3SAB	REMARKS
1	3KJ-16111-00	GEAR, PRIMARY DRIVE (13T)	1	1	
2	90201-06412	WASHER, PLATE	1	1	
3	98507-06010	SCREW, PAN HEAD	1	1	
4	99009-17400	CIRCLIP	1	1	
5	93306-00308	BEARING (B6003)	1	1	
6	93102-17342	OIL SEAL	1	1	
7	2VK-16620-01	CLUTCH CARRIER ASSY	1	1	
8	24G-16626-00	.SPRING, CLUTCH WEIGHT 1	2	2	
9	90179-28415	NUT	1	1	
10	24G-16611-03	CLUTCH HOUSING COMP.	1	1	
11	90170-10317	NUT	1	1	
12	93300-63813	BEARING	1	1	
13	93210-06550	O-RING	1	1	
14	2EX-17620-02	PRIMARY SLIDING SHEAVE COMP.	1	1	
15	52W-17632-01	WEIGHT	6	6	
16	3AA-17623-00	CAM	1	1	
17	23Y-17653-00	SLIDER	3	3	
18	90387-132W6	COLLAR	1	1	
19	90201-133M8	WASHER, PLATE	1	1	
20	3KJ-17641-00	V-BELT	1	1	
21	3KJ-17611-00	SHEAVE, PRIMARY FIXED	1	1	
22	90214-13055	WASHER, CLAW	1	1	
23	3KJ-15657-00	CLUTCH, ONEWAY	1	1	
24	90208-10012	WASHER, CONICAL SPRING	1	1	
25	90170-10219	NUT	1	1	
26	3AA-17660-03	SECONDARY FIXED SHEAVE COMP.	1	1	
27	3AA-17670-01	SECONDARY SLIDING SHEAVE	1	1	



3KJ1010-9100

FIG. 10 CLUTCH

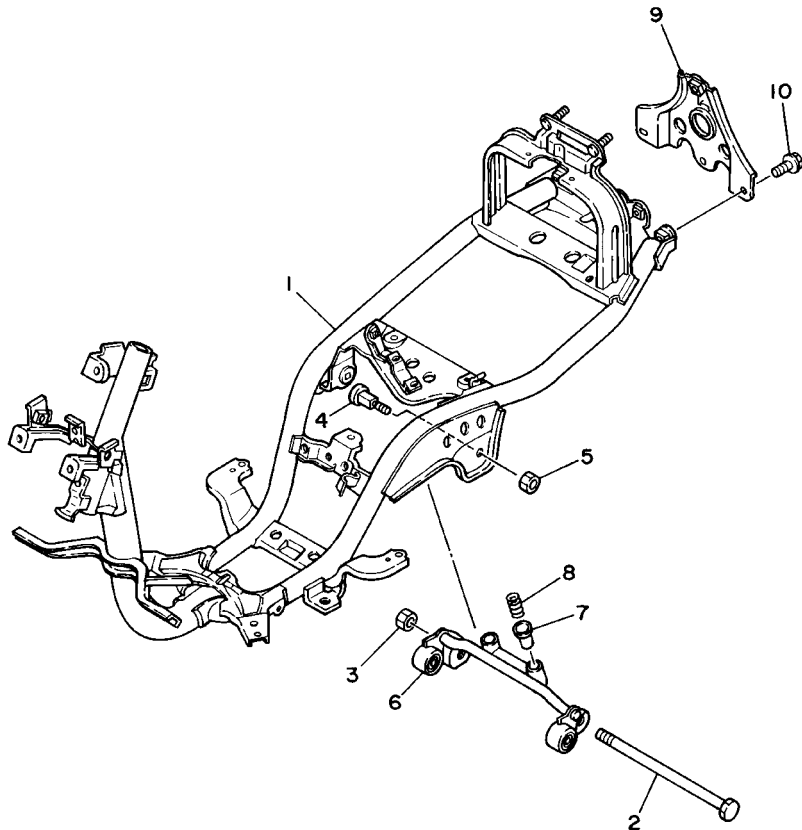
REF. NO.	PART NO.	DESCRIPTION	4FB9	3SAB				REMARKS
28	93109-33049	OIL SEAL	2	2				
29	93210-38687	O-RING	2	2				
30	24G-17664-00	PIN, GUIDE	2	2				
31	90501-357F3	SPRING, COMPRESSION	1	1				
32	3XG-17684-00	SEAT, SECONDARY SPRING	1	1				
<hr/>								
<hr/>								
<hr/>								
<hr/>								
<hr/>								
<hr/>								
<hr/>								
<hr/>								
<hr/>								





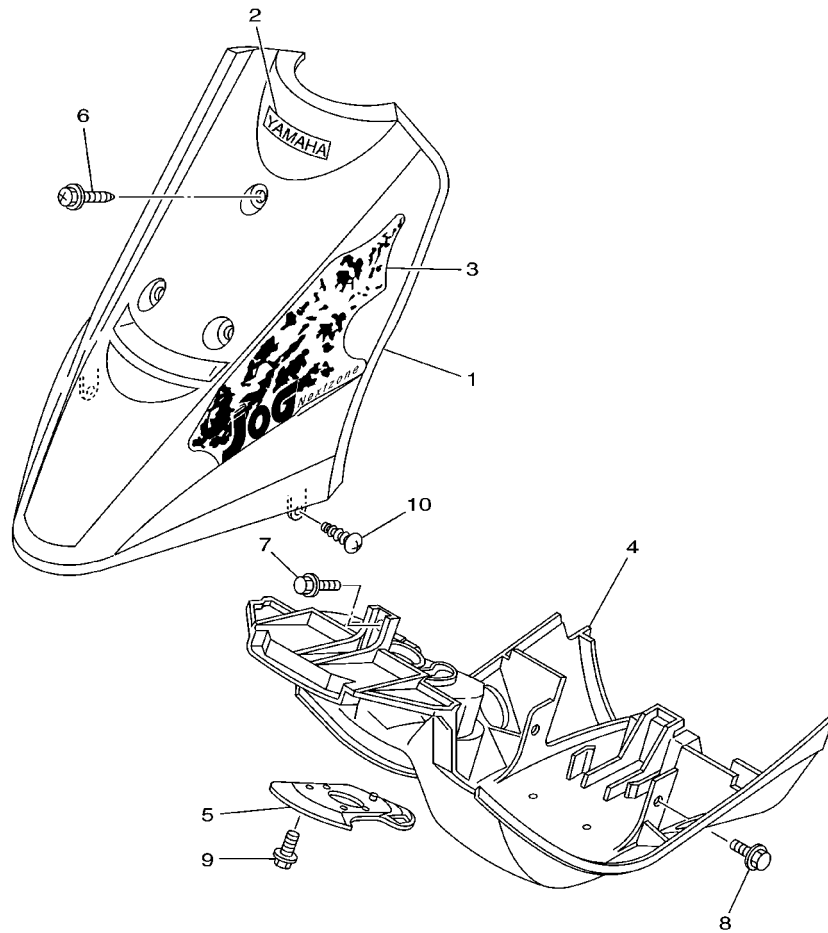
FIG. 12 FRAME

REF. NO.	PART NO.	DESCRIPTION	4FB9	3SAB				REMARKS
1	3KJ-21110-01	FRAME COMP.	1	1				
2	3KJ-21481-00	BOLT, ENGINE MOUNTING 1	1	1				
3	95607-12200	NUT, SELF-LOCKING	1	1				
4	2T4-21481-01	BOLT, ENGINE MOUNTING 1	2	2				
5	90185-10154	NUT, SELF-LOCKING	2	2				
6	3KJ-21410-10	ENGINE BRACKET COMP.	1	1				
7	2T4-2139X-00	DAMPER	1	1				
8	90501-290K2	SPRING, COMPRESSION	1	1				
9	3KJ-21232-03	REINFORCEMENT, TAIL	1	1				
10	95827-06012	BOLT, FLANGE	3	3				



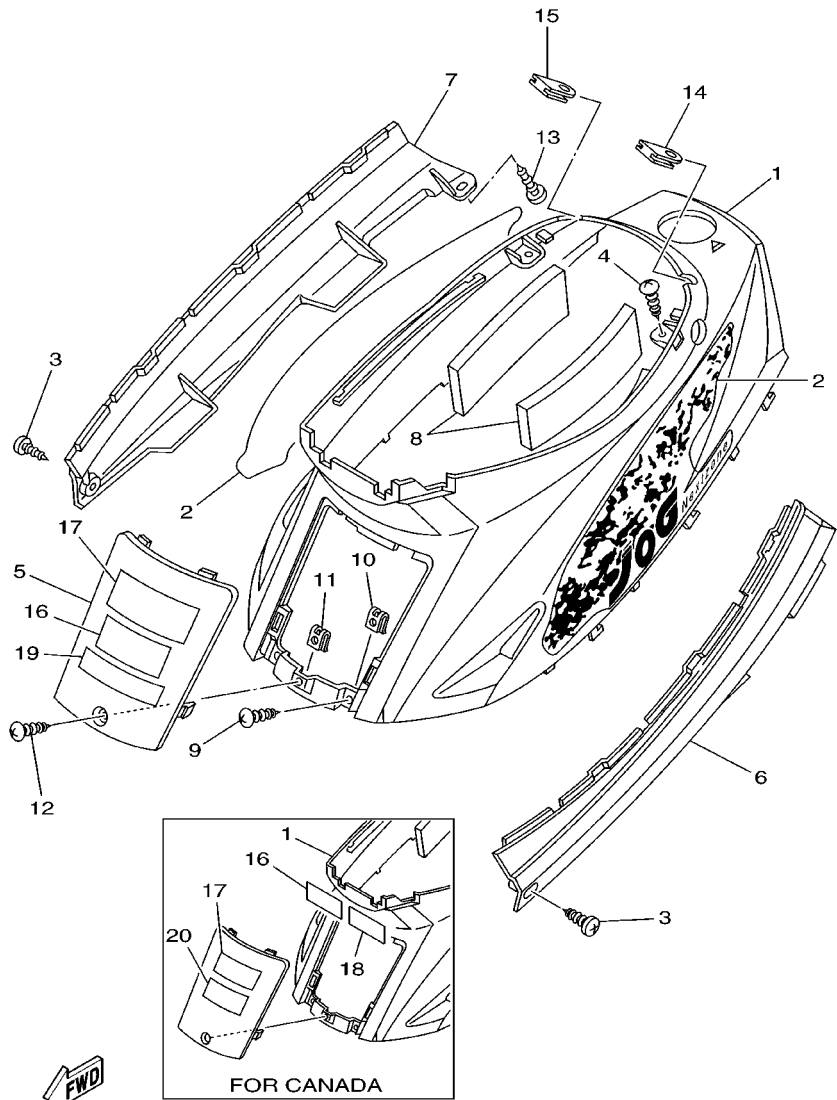
3KJ1010-9121

FIG. 13 FENDER



REF. NO.	PART NO.	DESCRIPTION	4FB9	3SAB	REMARKS
1	3KJ-21511-00-4B	FENDER, FRONT	1	1	UR BL2
	3KJ-21511-00-GE	FENDER, FRONT	1	1	UR SW
2	3WF-2153E-60	EMBLEM, YAMAHA	1	1	UR FOR BL2
	3WF-2153E-40	EMBLEM, YAMAHA	1	1	UR FOR SW
3	4FB-21578-10	EMBLEM	1	1	UR FOR BL2
	4MN-21578-00	EMBLEM	1	1	UR FOR SW
4	3KJ-21552-03	FENDER, INNER	1	1	
5	27V-21553-03	FENDER, INNER 2	1	1	
6	90159-06178	SCREW, WITH WASHER	3	3	
7	95807-06012	BOLT, FLANGE	1	1	
8	95807-06012	BOLT, FLANGE	2	2	
9	90119-06018	BOLT, WITH WASHER	2	2	
10	90167-05025	SCREW, TAPPING	2	2	

FIG. 14 SIDE COVER



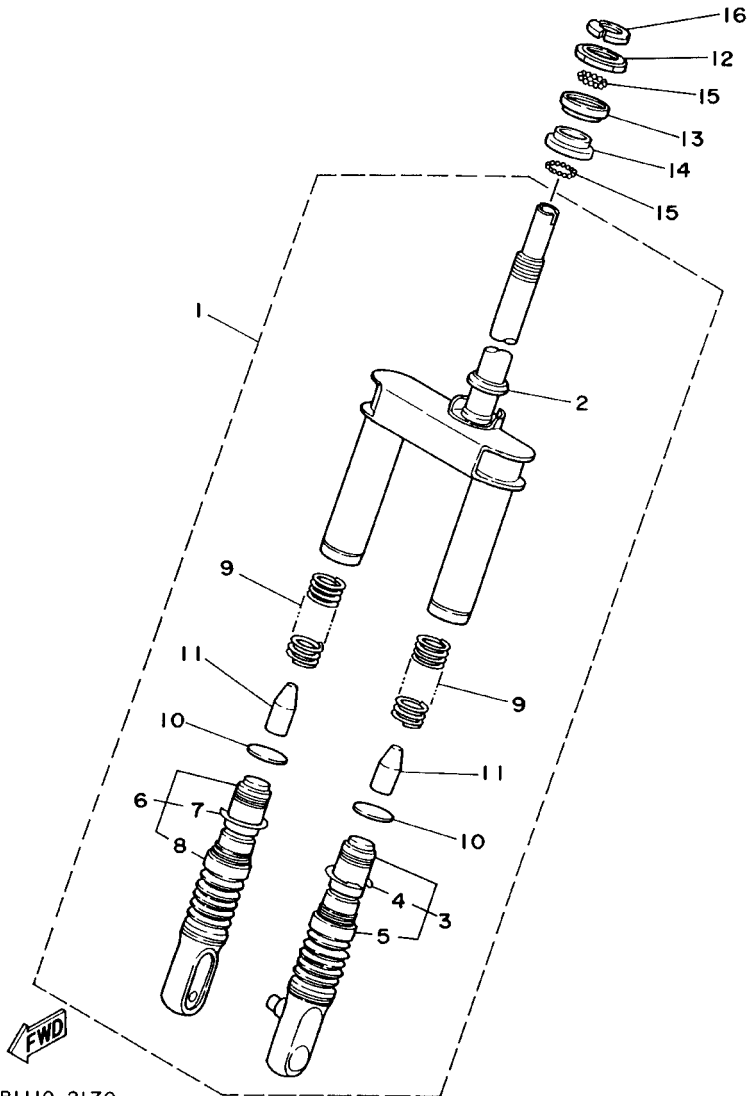
4FB9100-0140

REF. NO.	PART NO.	DESCRIPTION	4FB9	3SAB		REMARKS
1	3KJ-21711-00-4B	COVER, SIDE 1	1	1		UR BL2
	3KJ-21711-00-GE	COVER, SIDE 1	1	1		UR SW
2	4FB-2173G-10	EMBLEM SET 1	1	1		UR FOR BL2
	4MN-2173G-00	EMBLEM SET 1	1	1		UR FOR SW
3	90149-06184	SCREW	2	2		
4	90167-05025	SCREW, TAPPING	2	2		
5	3KJ-21721-00-4B	COVER, SIDE 2	1	1		UR BL2
	3KJ-21721-00-GE	COVER, SIDE 2	1	1		UR SW
6	3KJ-2171L-30	MOLE, SIDE COVER 1	1	1		DEEP PURPLE SOLID 1
7	3KJ-2171M-30	MOLE, SIDE COVER 2	1	1		DEEP PURPLE SOLID 1
8	3KJ-21778-00	DAMPER, LOCATING 1	2	2		
9	90167-05025	SCREW, TAPPING	2	2		
10	90183-05042	NUT, SPRING	2	2		
11	90183-05042	NUT, SPRING	1	1		
12	90167-05055	SCREW, TAPPING	1	1		
13	90167-05025	SCREW, TAPPING	2	2		
14	3KJ-24845-00	COVER 1	1	1		
15	3KJ-24846-00	COVER 2	1	1		
16	3SA-21668-A0	LABEL, TIRE	1	1		
17	3SL-2118K-A0	LABEL, CAUTION	1	1		
18	3SA-21668-B0	LABEL, TIRE		1		
19	4FB-2179X-A0	PLATE, EPA	1			
20	3SL-2118K-B0	LABEL, CAUTION		1		



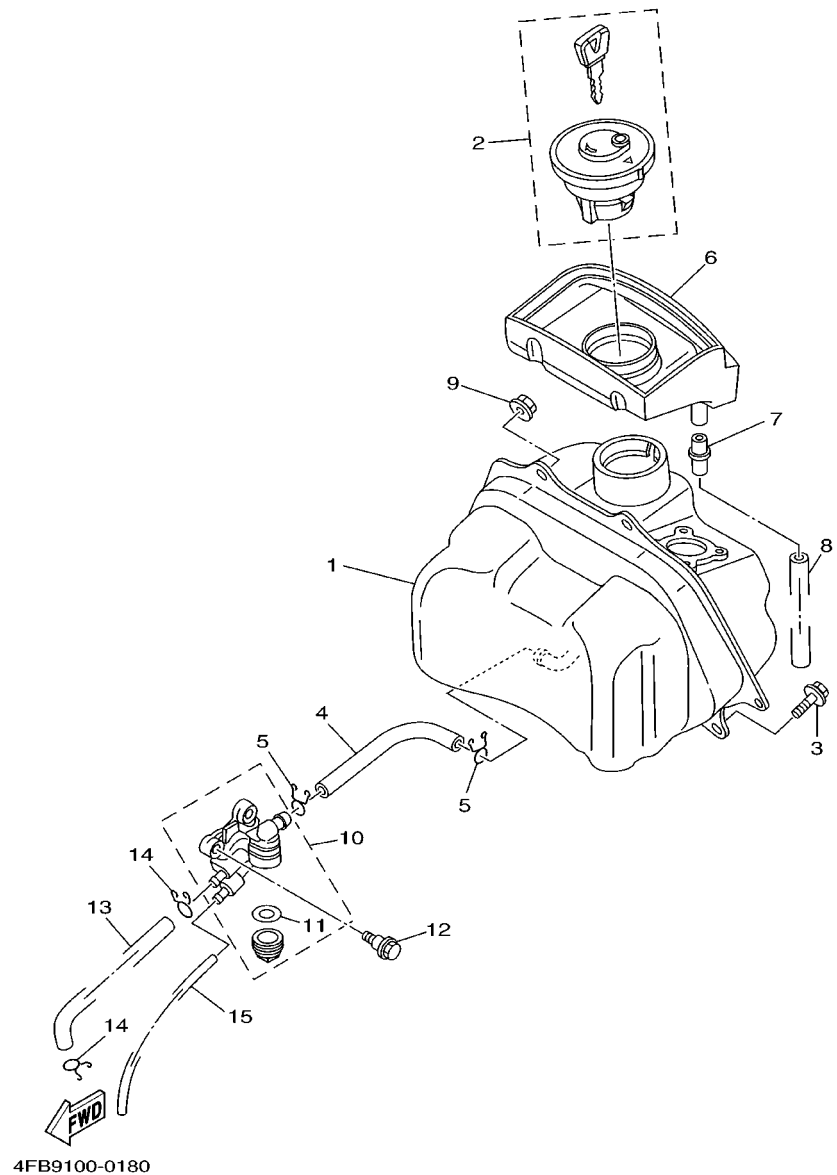


FIG. 17 FRONT FORK



REF. NO.	PART NO.	DESCRIPTION	4FB9	3SAB			REMARKS
1	3KJ-23100-03	FRONT FORK ASSY	1	1			
2	3YJ-23414-00	..RACE, BALL 4	1	1			
3	3YJ-23110-00	..INNER TUBE COMP.1	1	1			
4	93450-30057	..CIRCLIP	1	1			
5	3YJ-23191-00	..BOOT	1	1			
6	3YJ-23120-00	..INNER TUBE COMP.2	1	1			
7	93450-30057	..CIRCLIP	1	1			
8	3YJ-23191-00	..BOOT	1	1			
9	3KJ-23141-00	..SPRING, FRONT FORK	2	2			
10	2E9-23143-00	..SEAT, SPRING LOWER	2	2			
11	1RN-23195-00	..RUBBER	2	2			
12	3KJ-23411-01	RACE, BALL 1	1	1			
13	2E9-23412-00	RACE, BALL 2	1	1			
14	2E9-23413-01	RACE, BALL 3	1	1			
15	93505-32002	BALL	52	52			
16	2E9-23454-00	NUT, FITTING 2	1	1			

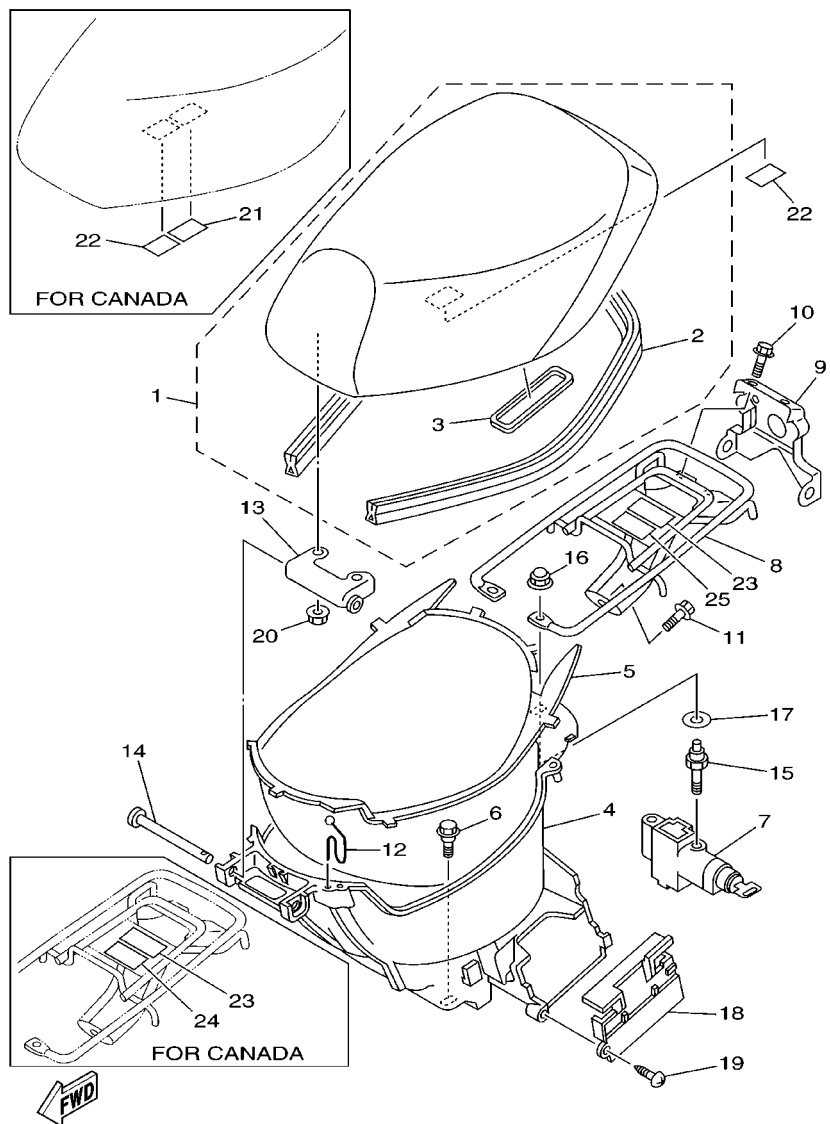
FIG. 18 FUEL TANK



REF. NO.	PART NO.	DESCRIPTION	4FB9	3SAB				REMARKS
1	3KJ-24110-02	FUEL TANK COMP.	1	1				
2	4JP-24602-20	CAP ASSY	1	1				
3	95827-06012	BOLT, FLANGE	1	1				
4	90445-111G1	HOSE	1	1				
5	90467-10129	CLIP	2	2				
6	3KJ-2414A-10	COVER, FILLER	1	1				
7	4JP-21753-00	BOSS, CONNECTOR	1	1				
8	91A20-07033	TUBE, FLEXIBLE VINYL	1	1				
9	95707-06500	NUT, FLANGE	2	2				
10	3KJ-24500-02	FUEL COCK ASSY 1	1	1				
11	4X8-24565-00	.GASKET	1	1				
12	90109-063F5	BOLT	2	2				
13	3KJ-24311-00	PIPE, FUEL 1	1	1				
14	90467-09006	CLIP	2	2				
15	90445-071G6	HOSE	1	1				



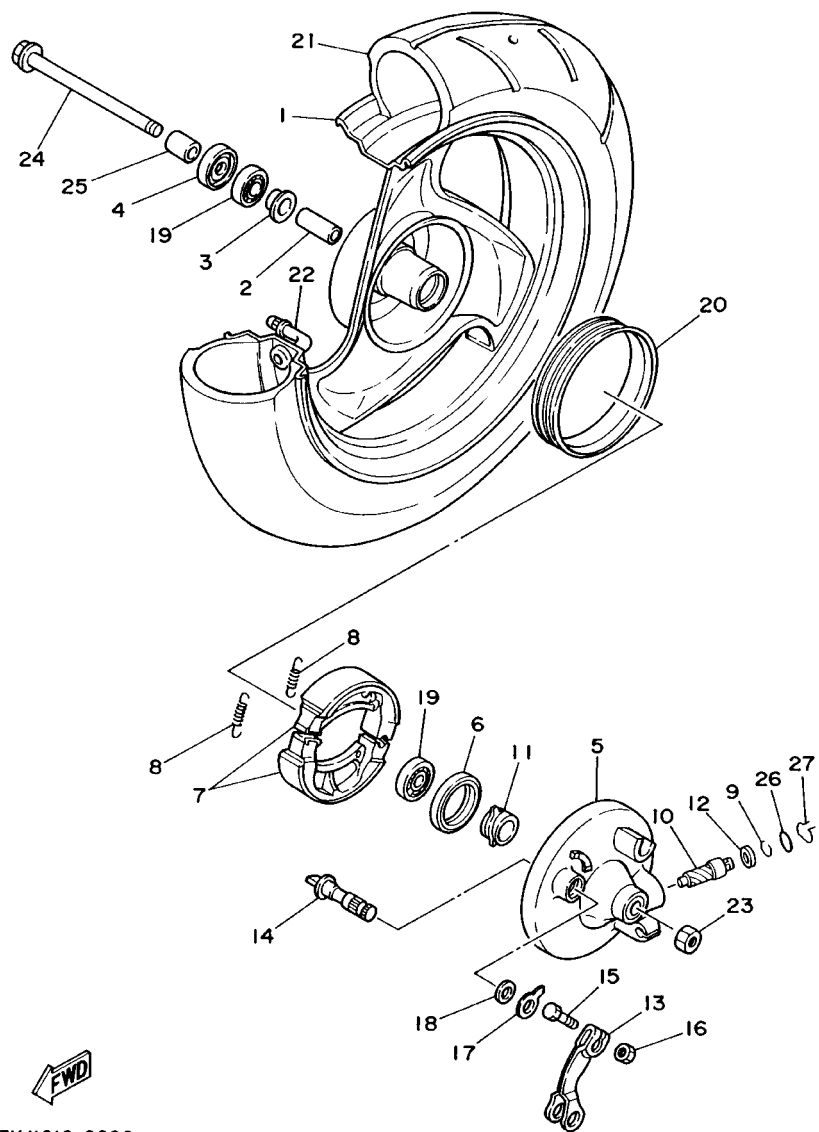
FIG. 19 SEAT. CARRIER



4FB9100-0190

REF. NO.	PART NO.	DESCRIPTION	4FB9	3SAB			REMARKS
1	3KJ-24710-23	SINGLE SEAT ASSY	1	1			YAMAHA BLACK
2	3KJ-2475M-00	.SEAL	1	1			
3	3FC-2483H-00	.BAND	1	1			
4	3KJ-2473R-00	BOX 1	1	1			
5	3KJ-24747-00	DAMPER, SEAT	1	1			
6	90109-063F1	BOLT	2	2			
7	3HH-24705-01	SEAT LOCK ASSY	1	1			
8	3SA-24842-00	CARRIER, REAR	1	1			
9	3SA-24718-00	BRACKET, SEAT	1	1			
10	90119-06066	BOLT, WITH WASHER	2	2			
11	95807-08012	BOLT, FLANGE	1	1			
12	3KJ-21308-00	HELMET HANGER ASSY	1	1			
13	3KJ-24726-10	HINGE, SEAT	1	1			
14	90241-10015	PIN	1	1			
15	3KJ-24717-00	BOLT, SEAT FITTING	2	2			
16	90176-06065	NUT, CROWN	2	2			
17	90201-12175	WASHER, PLATE	2	2			
18	3KJ-82129-00	COVER, BATTERY	1	1			
19	3KJ-24453-00	SCREW	1	1			
20	95707-06500	NUT, FLANGE	2	2			
21	3LD-24877-B0	LABEL, CAUTION		1			
22	3LD-24877-A0	LABEL, CAUTION	1	1			
23	3MX-24875-A0	LABEL 1	1	1			ENGLISH
24	3MX-24875-B0	LABEL 1		1			FRENCH
25	3TB-24877-A0	LABEL, CAUTION	1				

FIG. 20 FRONT WHEEL

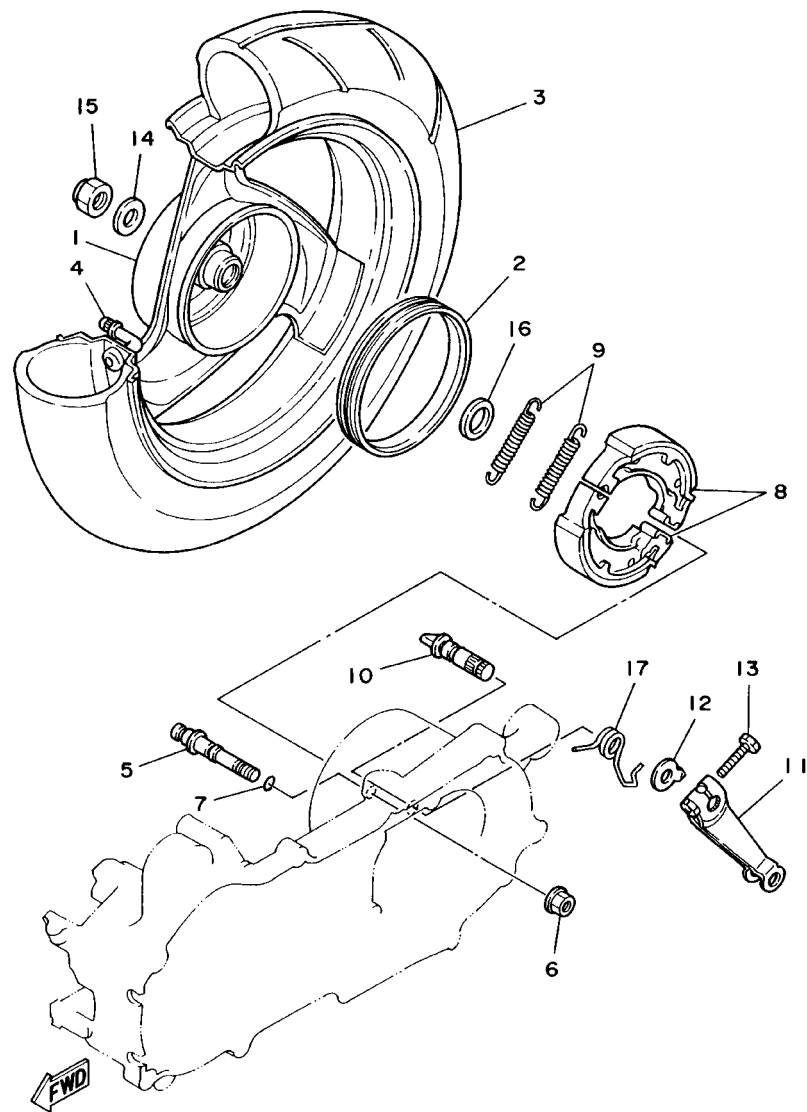


**FWD**  
3KJ1010-9200

REF. NO.	PART NO.	DESCRIPTION	4FB9	3SAB		REMARKS
1	3YJ-25180-00-P2	WHEEL COMP.	1	1		DPS1
2	90560-10289	SPACER	1	1		
3	25K-25116-00	FLANGE, SPACER 2	1	1		
4	93106-17015	OIL SEAL	1	1		
5	2GM-25121-01-P8	PLATE, BRAKE SHOE	1	1		DPS1
6	93109-34057	OIL SEAL	1	1		
7	4JP-W2535-00	BRAKE SHOE SET	1			
8	4FB-W2535-00	BRAKE SHOE SET		1		
8	90506-14081	SPRING, TENSION	2	2		
9	2T4-25137-00	RING, STOP	1	1		
10	2E9-25138-00	GEAR, METER	1	1		
11	2E9-25135-00	GEAR, DRIVE (14T)	1	1		
12	90201-064L6	WASHER, PLATE	1	1		
13	2T4-25155-00	LEVER, CAMSHAFT 1	1	1		
14	3KJ-25151-00	CAMSHAFT	1	1		
15	97007-05020	BOLT	1	1		
16	95307-05600	NUT	1	1		
17	3L8-2513A-00	PLATE, INDICATOR	1	1		
18	25K-25159-00	SEAL, CAMSHAFT	1	1		
19	93306-20006	BEARING (B6200)	2	2		NTN
20	3KJ-25185-00	RING 1	1	1		
21	94108-1004V	TIRE (80/90-10 34J MB38)	1	1		INOUE
22	93900-00041	VALVE, RIM	1	1		
23	90185-10154	NUT, SELF-LOCKING	1	1		
24	3YJ-25181-00	AXLE, WHEEL	1	1		
25	90560-10360	SPACER	1	1		
26	93210-10010	O-RING	1	1		



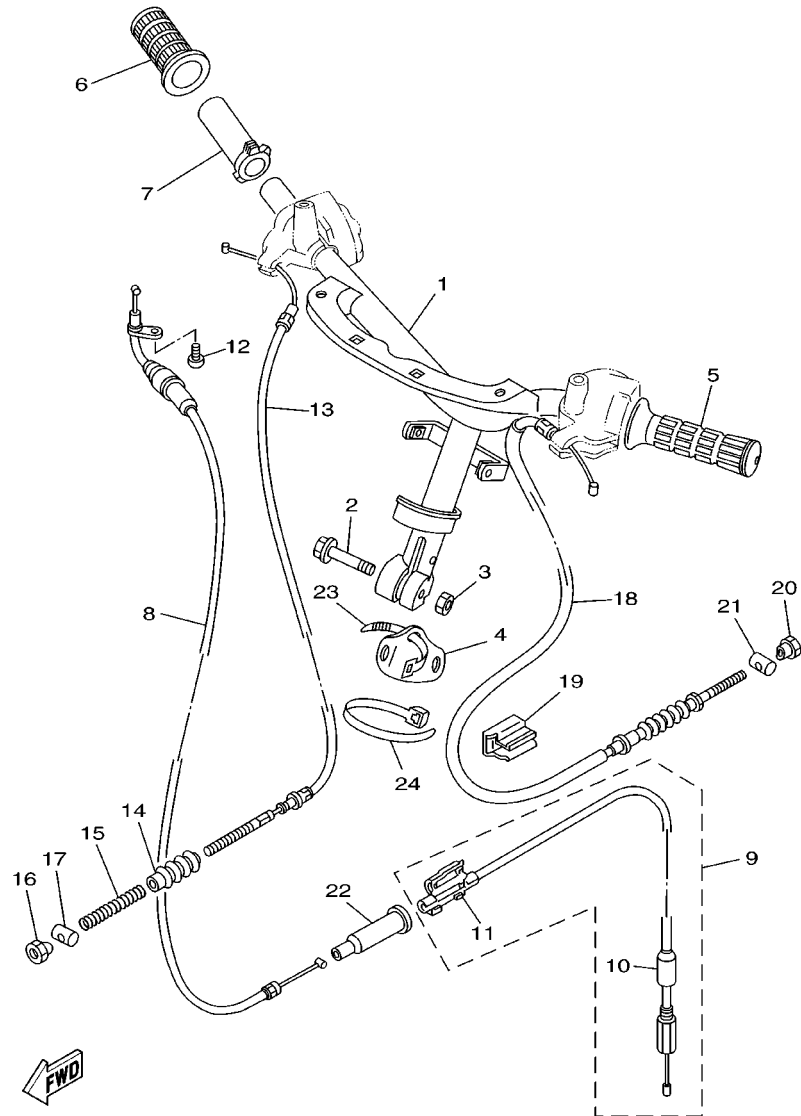
FIG. 21 REAR WHEEL



3KJ1010-9210

REF. NO.	PART NO.	DESCRIPTION	4FB9	3SAB			REMARKS
1	3YJ-25390-00-P3	REAR WHEEL COMP.	1	1			DPS1
2	3KJ-25336-00	RING 2	1	1			
3	94108-1004V	TIRE (80/90-10 34J MB38)	1	1			INOUE
4	93900-00041	VALVE, RIM	1	1			
5	3KJ-25326-00	PIN, PIVOT	1	1			
6	95707-08500	NUT, FLANGE	1	1			
7	93210-07540	O-RING	1	1			
8	4BX-W2536-10	BRAKE SHOE SET	1	1			
9	90506-15260	SPRING, TENSION	2	2			
10	3KJ-25351-01	CAMSHAFT	1	1			
11	3KJ-25355-00	LEVER, CAMSHAFT	1	1			
12	4N0-2513A-00	PLATE, INDICATOR	1	1			
13	90101-06278	BOLT	1	1			
14	90201-142M6	WASHER, PLATE	1	1			
15	90185-14081	NUT, SELF-LOCKING	1	1			
16	90201-17255	WASHER, PLATE	1	1			
17	3KJ-25357-00	SPRING, LEVER RETURN	1	1			

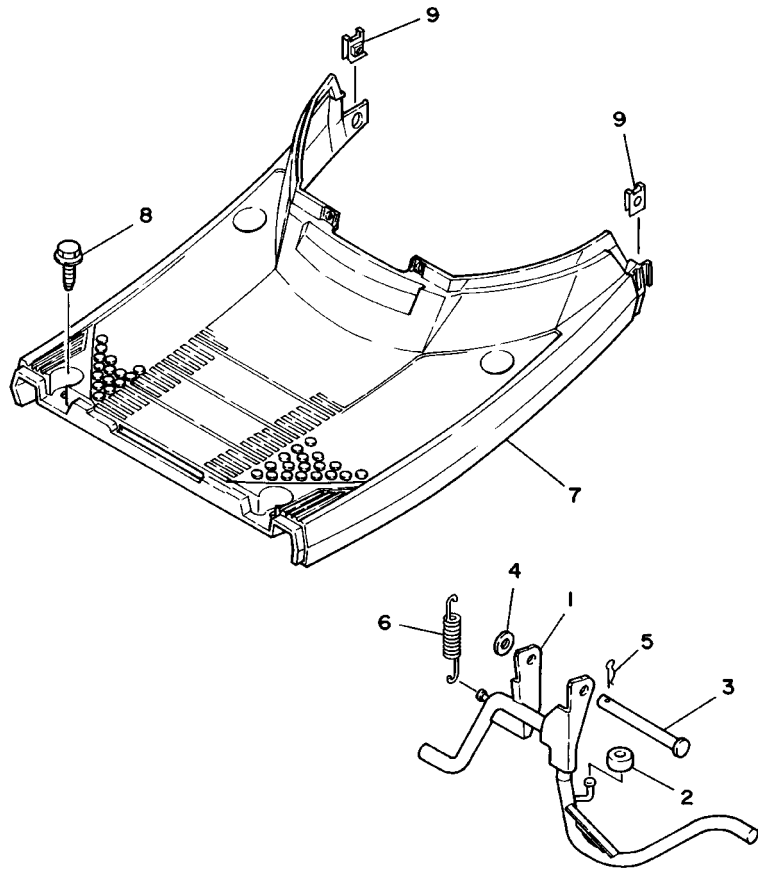
FIG. 22 STEERING HANDLE. CABLE



4FB9100-0220

REF. NO.	PART NO.	DESCRIPTION	4FB9	3SAB				REMARKS
1	2VK-26110-00	HANDLE COMP.	1	1				
2	90105-10036	BOLT, WASHER BASED	1	1				
3	95607-10200	NUT, SELF-LOCKING	1	1				
4	2EK-26293-00	BAND	1	1				
5	3RY-26241-01	GRIP (LEFT)	1	1				
6	3RY-26242-01	GRIP (RIGHT)	1	1				
7	5G3-26243-00	TUBE, THROTTLE GUIDE	1	1				
8	2EK-26311-04	CABLE, THROTTLE 1	1	1				
9	3KJ-26312-01	CABLE, THROTTLE 2	1	1				
10	304-26329-00	.CAP, RUBBER	1	1				
11	53L-26261-01	.CONNECTOR, CABLE	1	1				
12	98507-05012	SCREW, PAN HEAD	1	1				
13	3SA-26341-01	CABLE, BRAKE	1	1				
14	3KJ-26342-00	BOOT, CABLE	1	1				
15	90501-10513	SPRING, COMPRESSION	1	1				
16	90179-06411	NUT	1	1				
17	90249-12008	PIN	1	1				
18	3SA-26351-01	CABLE, BRAKE	1	1				
19	3KJ-26393-00	HOLDER	1	1				
20	90179-06411	NUT	1	1				
21	90249-12008	PIN	1	1				
22	1YU-26329-00	CAP, RUBBER	1	1				
23	5Y9-12491-00	CLAMP 1	1	1				
24	90465-13152	CLAMP	1	1				

FIG. 23 STAND, FOOTREST

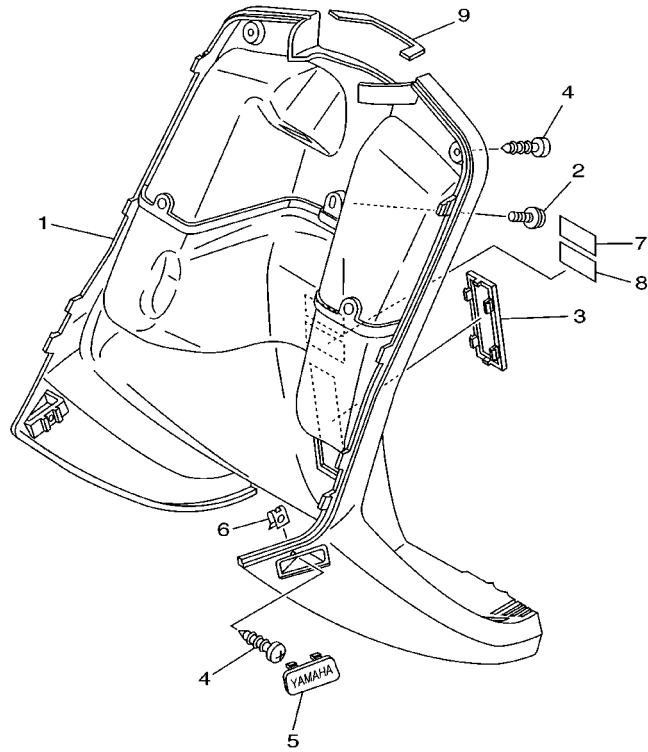


REF. NO.	PART NO.	DESCRIPTION	4FB9	3SAB	REMARKS
1	3YJ-27111-01	STAND, MAIN	1	1	
2	3VR-27114-00	STOPPER, MAIN STAND	1	1	
3	90240-10137	PIN, CLEVIS	1	1	
4	90202-10120	WASHER, PLATE	1	1	
5	90468-12006	CLIP	1	1	
6	90506-32464	SPRING, TENSION	1	1	
7	3KJ-27481-31	BOARD, FOOTREST	1	1	
8	90119-06060	BOLT, WITH WASHER	4	4	
9	25G-21535-00	NUT 1	2	2	



3KJ1010-9230

FIG. 24 LEG SHIELD

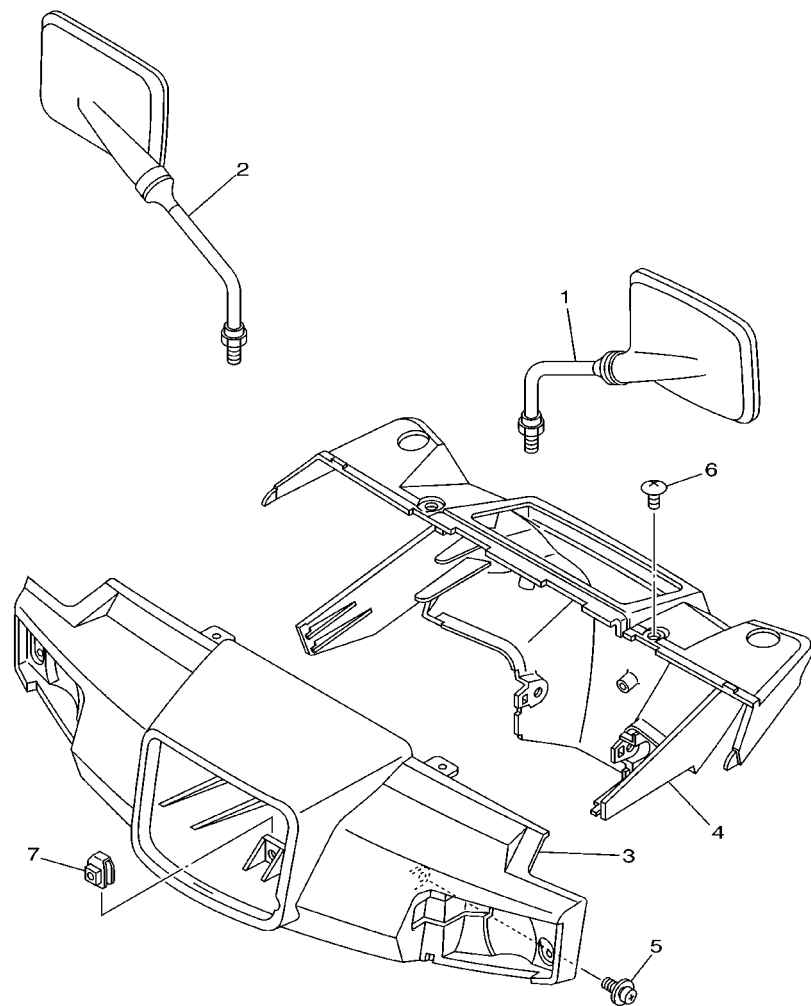


REF. NO.	PART NO.	DESCRIPTION	4FB9	3SAB		REMARKS
1	3SA-28300-30	LEG SHIELD ASSY	1	1		DEEP PURPLE SOLID 1
2	90159-06182	SCREW, WITH WASHER	1	1		
3	20H-28349-E0	CAP	1	1		DEEP PURPLE SOLID 1
4	90167-05025	SCREW, TAPPING	2	2		
5	3FC-27475-30	CAP 1	2	2		DEEP PURPLE SOLID 1
6	90183-05042	NUT, SPRING	2	2		
7	3SA-24877-A0	LABEL, CAUTION	1	1		
8	3SA-24877-B0	LABEL, CAUTION		1		
9	3SA-28371-00	DAMPER	1	1		



4FB9100-0240

FIG. 25 COWLING 1

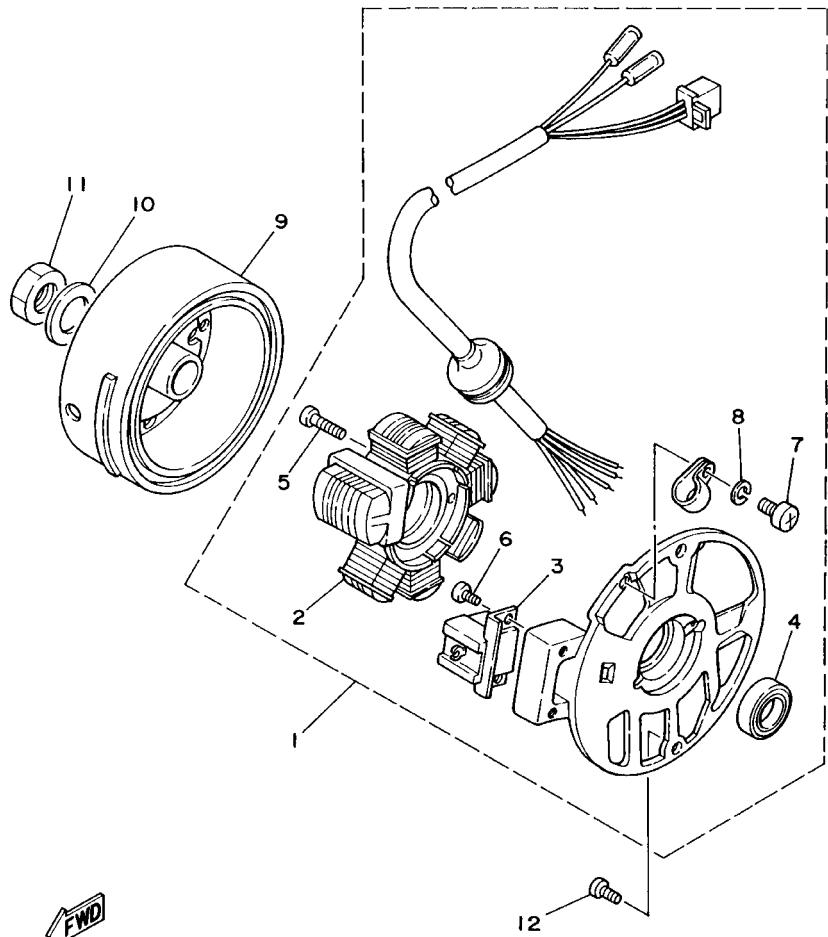


REF. NO.	PART NO.	DESCRIPTION	4FB9	3SAB			REMARKS
1	14T-26290-10	REAR VIEW MIRROR ASSY(LEFT)	1	1			
2	14T-26290-00	REAR VIEW MIRROR ASSY(RIGHT)	1	1			
3	2EK-26143-00-4B	COVER, HANDLEBAR UPPER 1	1	1			UR BL2
	2EK-26143-00-GE	COVER, HANDLEBAR UPPER 1	1	1			UR SW
4	2EK-26145-40	COVER, HANDLEBAR UPPER 2	1	1			DEEP PURPLE SOLID 1
5	90159-05028	SCREW, WITH WASHER	2	2			
6	90154-05042	SCREW, BINDING	2	2			
7	35R-26294-00	NUT 1	3	3			

  
4FB9100-0250



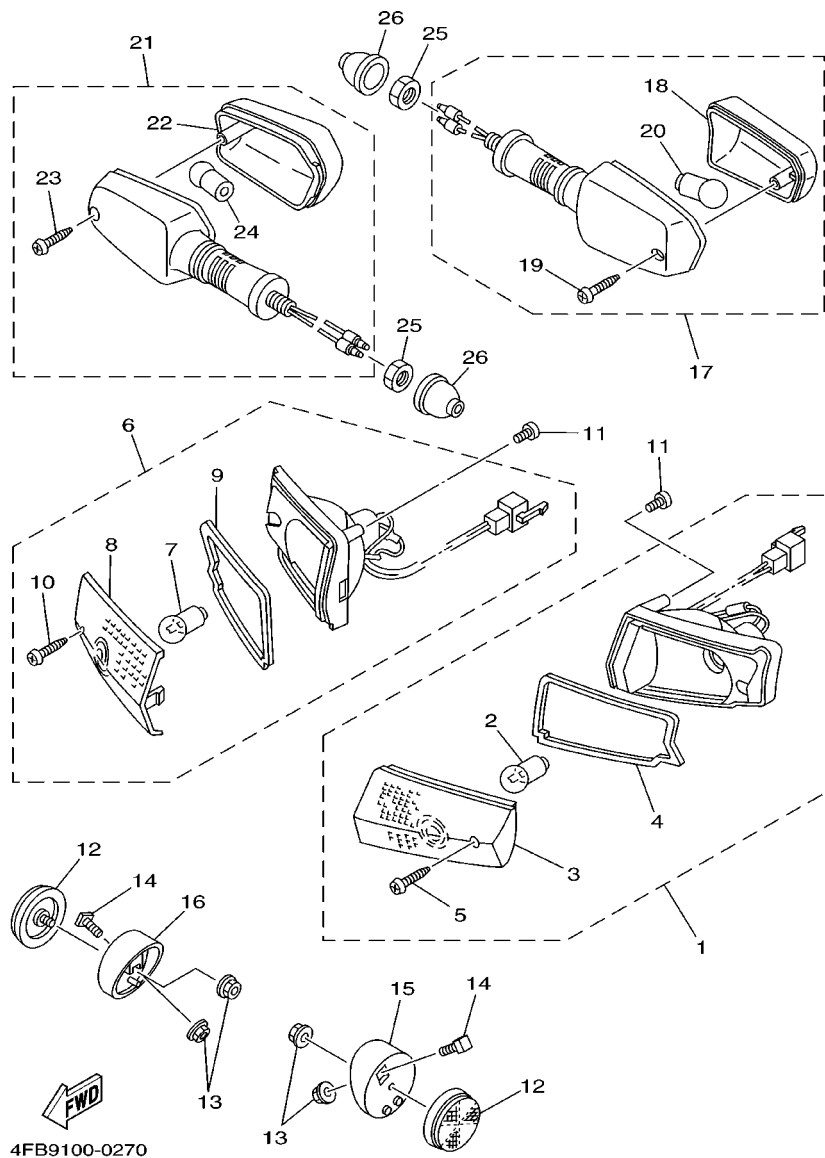
FIG. 26 GENERATOR



REF. NO.	PART NO.	DESCRIPTION	4FB9	3SAB				REMARKS
1	3KJ-85560-00	BASE ASSY	1	1				
2	2JA-81403-M0	.STATORCOMP.	1	1				
3	2JA-85580-M0	.COIL, PULSER	1	1				
4	93104-19097	.OIL SEAL	1	1				
5	98501-05020	.SCREW, PAN HEAD	2	2				
6	98501-05010	.SCREW, PAN HEAD	2	2				
7	98501-04006	.SCREW, PAN HEAD	1	1				
8	92901-04100	.WASHER, SPRING	1	1				
9	2JA-85550-00	ROTOR ASSY	1	1				
10	92907-10600	WASHER, PLATE	1	1				
11	90170-10219	NUT	1	1				
12	98507-06016	SCREW, PAN HEAD	2	2				

 3KJ1010-9260

FIG. 27 FLASHER LIGHT

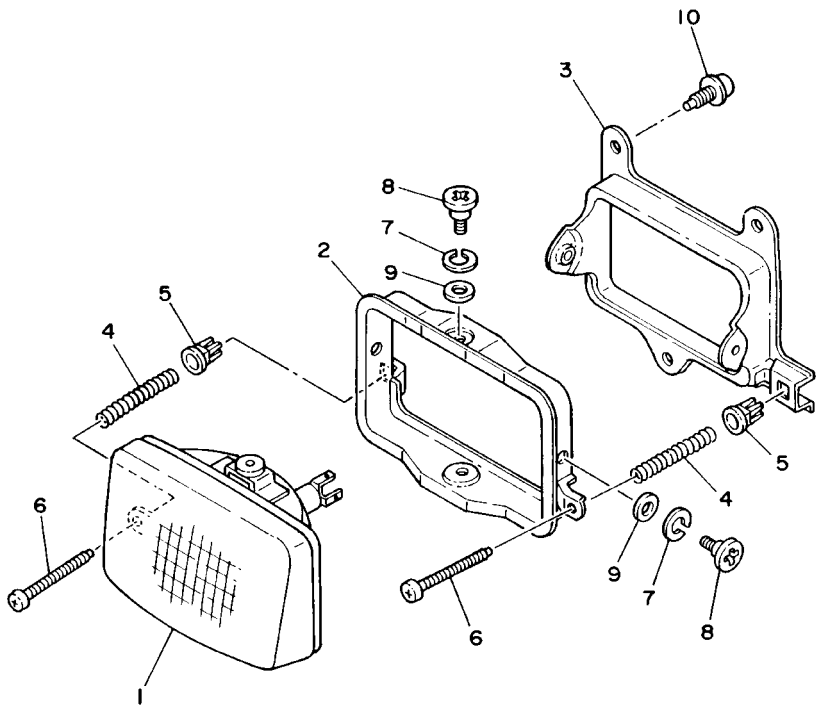


REF. NO.	PART NO.	DESCRIPTION	4FB9	3SAB			REMARKS
1	2EK-83310-00	FRONT FLASHER LIGHT ASSY 1	1	1			
2	851-84744-00	.BULB (12V-10W)	1	1			
3	2EK-83312-00	.LENS, FLASHER	1	1			
4	2EK-83313-00	.GASKET, FLASHER LENS	1	1			
5	97707-40116	.SCREW, TAPPING	1	1			
6	2EK-83320-00	FRONT FLASHER LIGHT ASSY 2	1	1			
7	851-84744-00	.BULB (12V-10W)	1	1			
8	2EK-83322-00	.LENS, FLASHER 2	1	1			
9	2EK-83313-00	.GASKET, FLASHER LENS	1	1			
10	97707-40116	.SCREW, TAPPING	1	1			
11	97707-50012	SCREW, TAPPING	4	4			
12	2EK-85111-00	REFLECTOR, FRONT 1	2	2			
13	95707-05500	NUT, FLANGE	4	4			
14	97007-05016	BOLT	2	2			
15	3SA-85127-00	BASE, REFLECTOR	1	1			
16	3SA-85137-00	BASE, REFLECTOR	1	1			
17	3SA-83330-01	REAR FLASHER LIGHT ASSY 1	1	1			
18	2EK-83332-00	.LENS, FLASHER	1	1			
19	97706-40620	.SCREW, TAPPING	1	1			
20	3TX-83311-00	.BULB, FLASHER (12V-10W)	1	1			
21	3SA-83340-01	FLASHER LIGHT ASSY 2	1	1			
22	2EK-83342-00	.LENS, FLASHER 2	1	1			
23	97706-40620	.SCREW, TAPPING	1	1			
24	3TX-83311-00	.BULB, FLASHER (12V-10W)	1	1			
25	95307-12600	NUT	2	2			
26	10V-83365-00	CAP	2	2			



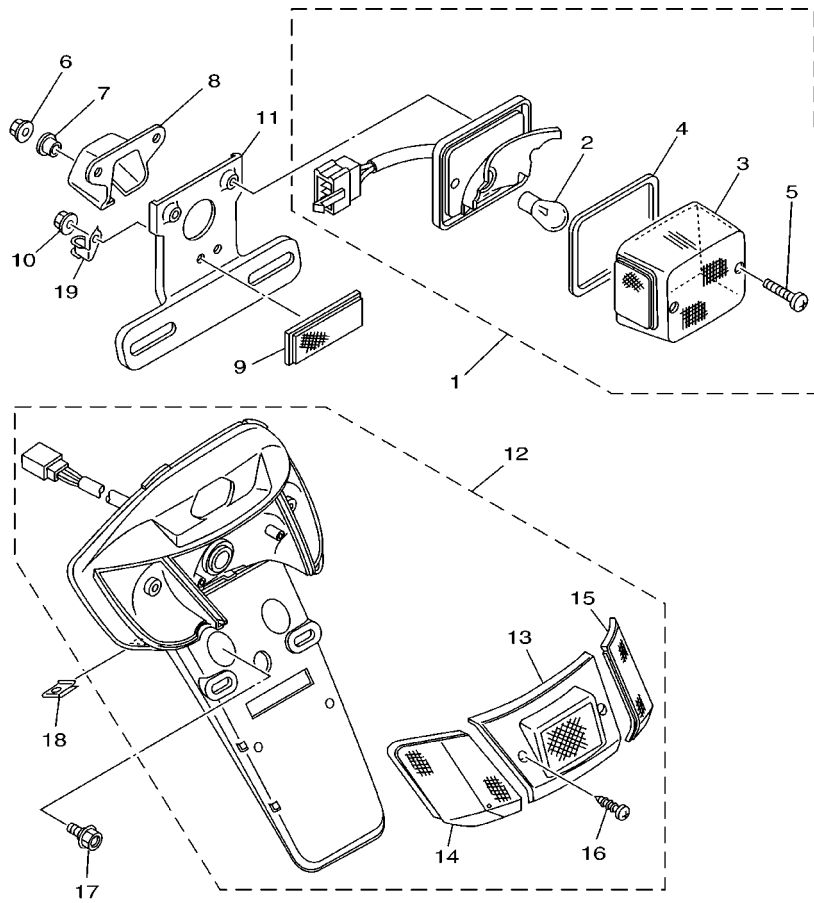
FIG. 29 HEADLIGHT

REF. NO.	PART NO.	DESCRIPTION	4FB9	3SAB				REMARKS
1	2EK-84320-00	LENS ASSY	1	1				
2	2EK-84395-00	RING, RETAINING	1	1				
3	2EK-84394-00	RING, MOUNTING	1	1				
4	2EK-84132-00	SPRING, SCREW	2	2				
5	50W-84334-00	NUT, ADJUSTING	2	2				
6	802-84131-00	SCREW, RIM ADJUSTER	2	2				
7	92902-05100	WASHER, SPRING	4	4				
8	50W-84333-00	SCREW	4	4				
9	92902-05600	WASHER, PLATE	4	4				
10	90159-05089	SCREW, WITH WASHER	3	3				



2VK110-8290

FIG. 30 TAILLIGHT

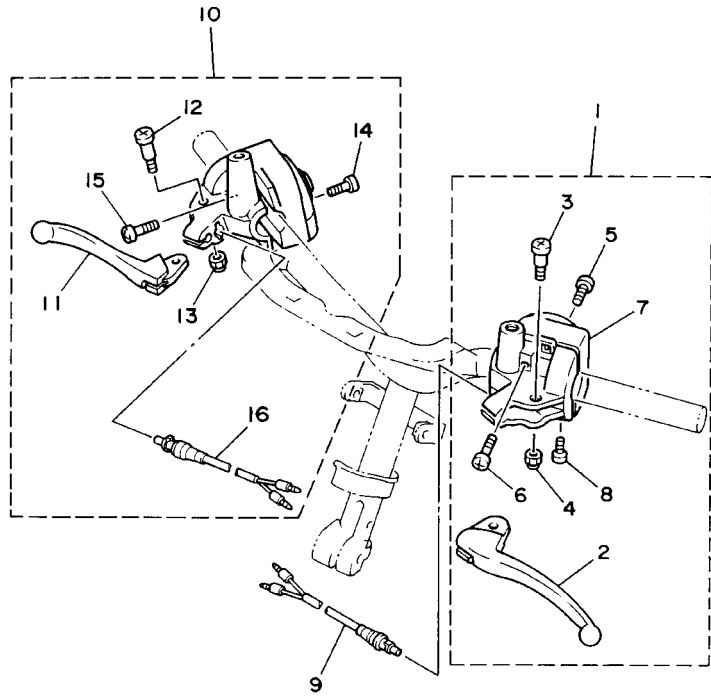


REF. NO.	PART NO.	DESCRIPTION	4FB9	3SAB				REMARKS
1	3SA-84710-10	TAILLIGHT UNIT ASSY	1	1				
2	34X-84714-00	.BULB (12V-21/5W)	1	1				
3	1M1-84521-60	.LENS, TAILLIGHT	1	1				
4	1M1-84523-60	.GASKET, LENS	1	1				
5	1M1-84524-60	.SCREW, LENS FITTING	2	2				
6	95707-06500	NUT, FLANGE	2	2				
7	90387-06681	COLLAR	2	2				
8	3L8-84544-00	COVER	1	1				
9	3Y6-85130-02	REAR REFLECTOR ASSY	1	1				
10	95707-05500	NUT, FLANGE	1	1				
11	1UV-84751-00-R4	BRACKET, LICENSE	1	1				HPB
12	3SA-21630-01	TAIL COVER ASSY	1	1				
13	3SA-2163A-00	.COVER, REAR FENDER 1	1	1				
14	3SA-2163E-00	.COVER, REAR FENDER 2	1	1				
15	3SA-2163F-00	.COVER, REAR FENDER 3	1	1				
16	97707-40625	.SCREW, TAPPING	2	2				
17	90109-063F1	BOLT	2	2				
18	90183-05042	NUT, SPRING	2	2				
19	90462-06080	CLAMP	1	1				



4FB9100-0300

FIG. 31 HANDLE SWITCH. LEVER

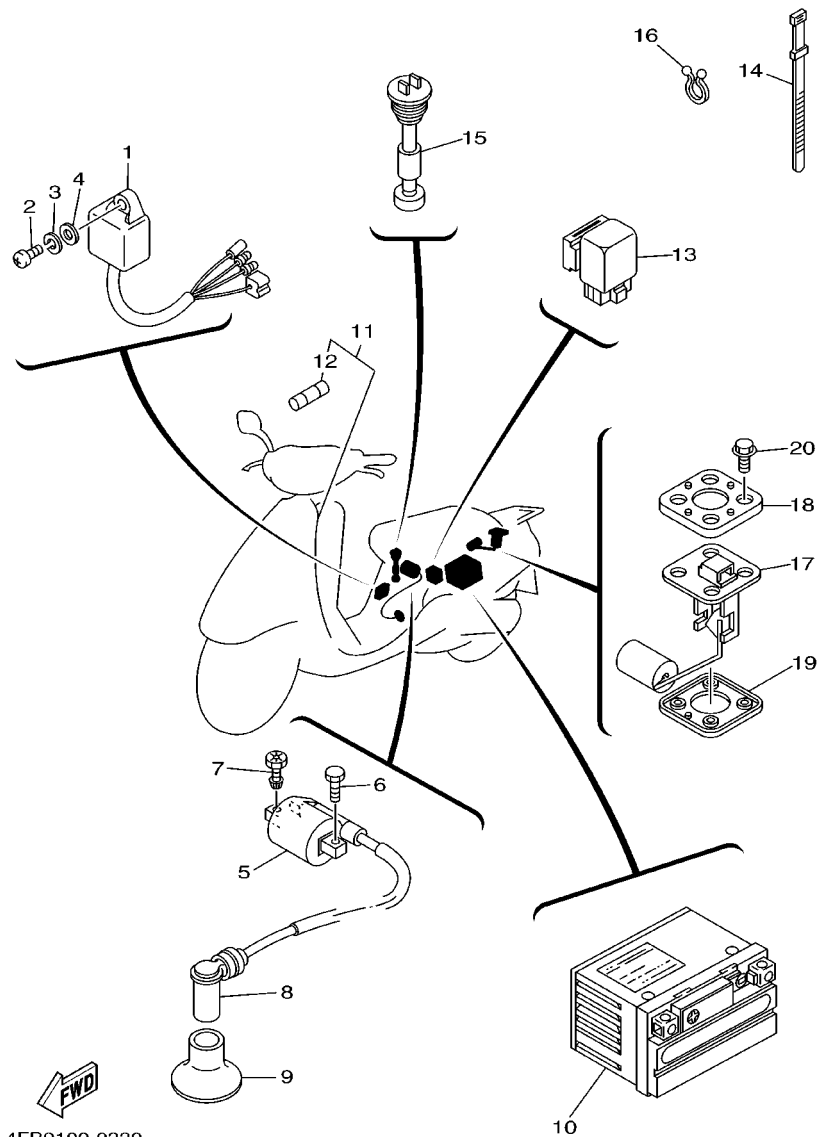


REF. NO.	PART NO.	DESCRIPTION	4FB9	3SAB	REMARKS
1	20G-W8291-31	LEVER HOLDER ASSY (LEFT)	1	1	
2	14T-83912-01	.LEVER 1	1	1	
3	90149-05119	.SCREW	1	1	
4	95601-05100	.NUT, U	1	1	
5	98506-05012	.SCREW, PAN HEAD	1	1	
6	98506-05020	.SCREW, PAN HEAD	1	1	
7	13T-83973-30	.SWITCH, HANDLE 3	1	1	
8	98906-04010	.SCREW, BIND	2	2	
9	2T4-83980-00	FRONT STOP SWITCH ASSY	1	1	
10	3KL-82920-01	LEVER HOLDER ASSY (RIGHT)	1	1	
11	14T-83922-01	.LEVER 2	1	1	
12	90149-05190	.SCREW	1	1	
13	95601-05100	.NUT, U	1	1	
14	98506-05012	.SCREW, PAN HEAD	1	1	
15	98506-05020	.SCREW, PAN HEAD	1	1	
16	2T4-83980-00	.FRONT STOP SWITCH ASSY	1	1	

  
3SA2171-1310



FIG. 33 ELECTRICAL 2



REF. NO.	PART NO.	DESCRIPTION	4FB9	3SAB				REMARKS
1	3KJ-85540-10	C.D.I. UNIT ASSY	1	1				
2	98507-06020	SCREW, PAN HEAD	1	1				
3	92907-06100	WASHER, SPRING	1	1				
4	92907-06600	WASHER, PLATE	1	1				
5	3KJ-82310-10	IGNITION COIL ASSY	1	1				
6	97007-06016	BOLT	1	1				
7	90153-06034	SCREW, HEXAGON	1	1				
8	2VT-82370-00	PLUG CAP ASSY	1	1				
9	3KJ-82372-00	SEAL, PLUG CAP	1	1				
10	3UC-82100-11	BATTERY ASSY	1	1				
11	3SA-82590-01	WIRE HARNESS ASSY	1	1				
12	27V-82151-00	.FUSE (7A)	1	1				
13	27V-81940-02	STARTER RELAY ASSY	1	1				TATEISHI
14	437-83936-11	BAND, SWITCH CORD	3	3				
15	53L-85720-01	OIL LEVEL GAUGE ASSY	1	1				
16	90465-18147	CLAMP	1	1				
17	3KJ-85752-10	SENDER UNIT ASSY, FUEL METER	1	1				
18	2JG-85757-00	RETAINER	1	1				
19	4US-85753-00	GASKET, SENDER UNIT	1	1				
20	90119-05071	BOLT, WITH WASHER	4	4				



NUMERICAL INDEX

PART NO.	GRID NO.	PART NO.	GRID NO.	PART NO.	GRID NO.	PART NO.	GRID NO.	PART NO.	GRID NO.	PART NO.	GRID NO.
4FB-W2535-00	C - 9	14T-14341-00	B - 7	32N-15673-00	B - 11	4FB-2173G-10	C - 3	25K-25116-00	C - 9	2JA-81403-M0	D - 2
4JP-W2535-00	C - 9	14T-14343-38	B - 7	3KJ-16111-00	B - 12	4MN-2173G-00	C - 3	2GM-25121-01-P8	C - 9	5BM-81800-01	B - 11
4BX-W2536-10	C - 11	3KJ-14349-01	B - 7	24G-16611-03	B - 12	3KJ-21751-00	C - 4	3L8-2513A-00	C - 9	5BM-81801-01	B - 11
20G-W8291-31	D - 7	3KJ-14353-21	B - 7	2VK-16620-01	B - 12	4JP-21753-00	C - 7	4N0-2513A-00	C - 11	5BM-8182L-00	B - 11
3KJ-11111-10	B - 2	14T-14384-00	B - 7	24G-16626-00	B - 12	2N3-21771-01	C - 4	2E9-25135-00	C - 9	27V-81940-02	D - 9
3KJ-11181-00	B - 2	1HV-14385-01	B - 7	3YJ-17410-00	B - 14	3KJ-21778-00	C - 3	2E9-25137-01	C - 10	3UC-82100-11	D - 8
3KJ-11311-10	B - 2	367-14386-00	B - 7	4JP-17420-00	B - 14	4FB-2179X-A0	C - 3	2T4-25137-00	C - 9	3YK-81960-11	D - 8
4FB-11351-00	B - 2	2JA-14392-00	B - 7	3KJ-17611-00	B - 12	3YJ-22210-50	C - 5	2E9-25138-00	C - 9	3KJ-82109-00	C - 8
3KJ-11400-01	B - 3	3KJ-14411-30	B - 6	2EX-17620-02	B - 12	164-22216-00	B - 9	3KJ-25151-00	C - 9	27V-82151-00	D - 9
3KJ-11412-01	B - 3	3KJ-14412-30	B - 6	3AA-17623-00	B - 12	5M0-22253-00	C - 5	2T4-25155-00	C - 9	3KJ-82310-10	D - 9
3KJ-11422-01	B - 3	3KJ-14437-00	B - 6	52W-17632-01	B - 12	3KJ-23100-03	C - 6	25K-25159-00	C - 9	2VT-82370-00	D - 9
260-11610-02	B - 3	4CY-14451-00	B - 6	3KJ-17641-00	B - 12	3YJ-23110-00	C - 6	3YJ-25180-00-P2	C - 9	3KJ-82372-00	D - 9
260-11610-22	B - 3	3KJ-14452-30	B - 6	23Y-17653-00	B - 12	3YJ-23120-00	C - 6	3YJ-25181-00	C - 9	3KJ-82501-00	D - 8
3CP-11631-00-96	B - 3	4JC-14453-01	B - 6	3AA-17660-03	B - 12	3KJ-23141-00	C - 6	3KJ-25185-00	C - 9	3KJ-82541-00	B - 11
27V-11633-00	B - 3	4JP-14561-00	B - 7	24G-17664-00	B - 13	2E9-23143-00	C - 6	3KJ-25351-01	C - 11	2EX-82552-20	D - 8
3CP-11636-00	B - 3	3KJ-14610-15	B - 8	3AA-17670-01	B - 12	3YJ-23191-00	C - 6	3KJ-25355-00	C - 11	35A-82590-01	D - 9
2E9-11651-00	B - 3	3HK-14613-00	B - 8	3XG-17684-00	B - 13	1RN-23195-00	C - 6	3KJ-25357-00	C - 11	3KL-82920-01	D - 7
1YU-11681-00	B - 3	2JA-14718-00	B - 8	3KJ-21110-01	B - 15	3KJ-23411-01	C - 6	3YJ-25390-00-P3	C - 11	2EK-83310-00	D - 3
5Y9-12491-00	C - 12	3HK-14766-01	B - 8	3SL-2118K-A0	C - 3	2E9-23412-00	C - 6	2VK-26110-00	C - 12	3TX-83311-00	D - 3
	D - 8	4FB-14766-00	B - 8	3SL-2118K-B0	C - 3	2E9-23413-01	C - 6	2EK-26143-00-GE	C - 15	2EK-83312-00	D - 3
3KJ-12611-00	B - 4	3KJ-1490J-10	B - 7	3YJ-21232-03	B - 15	3YJ-23414-00	C - 6	2EK-26143-00-4B	C - 15	2EK-83313-00	D - 3
3KJ-12651-11	B - 4	3KJ-15110-03	B - 9	3KJ-21308-00	C - 8	2E9-23454-00	C - 6	2EK-26145-40	C - 15	2EK-83320-00	D - 3
3KJ-12653-01	B - 4	3KJ-15120-02	B - 9	3KJ-21381-00	C - 5	3KJ-24110-02	C - 7	3RY-26241-01	C - 12	2EK-83322-00	D - 3
4FW-12658-00	B - 4	1HV-15128-00	B - 10	2T4-2139X-00	B - 15	3KJ-2414A-10	C - 7	3RY-26242-01	C - 12	35A-83330-01	D - 3
4FW-12659-00	B - 4	3KJ-15316-00	B - 10	3KJ-21410-10	B - 15	3KJ-24311-00	C - 7	5G3-26243-00	C - 12	2EK-83332-00	D - 3
3KJ-13100-01	B - 5	3KJ-15317-00	B - 9	2T4-21481-01	B - 15	3KJ-24453-00	C - 8	53L-26261-01	C - 12	35A-83340-01	D - 3
3AA-13124-00	B - 5	3YJ-15326-00	B - 10	3KJ-21481-00	B - 15	3KJ-24500-02	C - 7	14T-26290-00	C - 15	2EK-83342-00	D - 3
2GM-13178-00	B - 5	3KJ-15335-00	B - 10	3KJ-21511-00-GE	C - 2	4X8-24565-00	C - 7	14T-26290-10	C - 15	29G-83350-20	D - 8
1YU-13185-00	B - 5	3KJ-15337-00	B - 10	3KJ-21511-00-4B	C - 2	4JP-24602-20	C - 7	35R-26294-00	C - 15	10V-83365-00	D - 3
1YU-13187-00	B - 5	2T4-15363-00	B - 9	3WF-2153E-40	C - 2	3HH-24705-01	C - 8	2EK-26293-00	C - 12	27V-83371-20	D - 8
50M-13342-00	B - 11	3YJ-15371-00	B - 9	3WF-2153E-60	C - 2	3KJ-24710-23	C - 8	35R-26311-04	C - 12	35A-83509-00	D - 4
1YU-13473-00	B - 5	3YJ-15411-01	B - 9	25G-21535-00	C - 13	3KJ-24717-00	C - 8	3KJ-26312-01	C - 12	35A-83510-00	D - 4
1YU-13516-00	B - 5	3KJ-15421-00	B - 9	3KJ-21552-03	C - 2	3SA-24718-00	C - 8	1YU-26329-00	C - 12	3YE-83510-00	D - 4
3KJ-13555-00	B - 6	3YJ-15431-00	B - 10	27V-21553-03	C - 2	3KJ-24726-10	C - 8	3KJ-26329-00	B - 7	4R0-83517-00	D - 4
1YU-13577-00	B - 5	4FB-15451-00	B - 9	4FB-21578-10	C - 2	3KJ-2473R-00	C - 8	304-26329-00	C - 12	36F-83549-00	D - 4
3KJ-13610-00	B - 6	4FB-15461-00	B - 9	4MN-21578-00	C - 2	3KJ-24747-00	C - 8	3SA-26341-01	C - 12	35A-83550-00	D - 4
3KJ-13613-00	B - 6	4FB-15462-00	B - 10	3SA-2163A-00	D - 6	3KJ-2475M-00	C - 8	3KJ-26342-00	C - 12	14T-83912-01	D - 7
3KJ-13616-00	B - 6	3KJ-15481-00	B - 10	3SA-2163E-00	D - 6	3FC-2483H-00	C - 8	3SA-26341-01	C - 12	14T-83922-01	D - 7
4FB-13621-00	B - 6	4JP-15513-00	B - 11	3SA-2163F-00	D - 6	3SA-24842-00	C - 8	3KJ-26342-00	C - 12	25G-83936-01	D - 8
4MN-1410A-00	B - 7	3KJ-15528-00	B - 11	3SA-21630-01	D - 6	3KJ-24845-00	C - 3	3SA-26351-01	C - 12	437-83936-11	D - 9
3YJ-14103-00	B - 7	3KJ-15532-00	B - 11	3SA-21668-A0	C - 3	3KJ-24846-00	C - 3	3KJ-26393-00	C - 12	13T-83973-30	D - 7
4JP-14104-00	B - 7	3KJ-15570-01	B - 11	3SA-21668-B0	C - 3	3MX-24875-A0	C - 8	3YJ-27111-01	C - 13	2T4-83980-00	D - 7
1HV-14147-00	B - 7	5BM-15601-01	B - 11	3KJ-2171L-30	C - 3	3MX-24875-B0	C - 8	3YJ-27114-00	C - 13	802-84131-00	D - 5
288-14161-00	B - 7	3KJ-15620-02	B - 11	3KJ-2171M-30	C - 3	3LD-24877-A0	C - 8	3FC-27475-30	C - 14	2EK-84132-00	D - 5
3KJ-14301-41	B - 7	3AA-15631-00	B - 11	3KJ-21711-00-GE	C - 3	3LD-24877-B0	C - 8	3KJ-27481-31	C - 13	2EK-84320-00	D - 5
3KJ-14312-25	B - 7	4JP-15650-00	B - 11	3KJ-21711-00-4B	C - 3	3SA-24877-A0	C - 14	3SA-28300-30	C - 14		
14T-14323-00	B - 7	3KJ-15657-00	B - 12	3KJ-21721-00-GE	C - 3	3SA-24877-B0	C - 14	20H-28349-E0	C - 14		
1YU-14331-00	B - 7	3KJ-15659-00	B - 9	3KJ-21721-00-4B	C - 3	3TB-24877-A0	C - 8	3SA-28371-00	C - 14		

NUMERICAL INDEX

PART NO.	GRID NO.	PART NO.	GRID NO.	PART NO.	GRID NO.	PART NO.	GRID NO.	PART NO.	GRID NO.	PART NO.	GRID NO.
50W-84333-00	D - 5	90159-06178	C - 2	90446-11347	B - 9	93109-33049	B - 13	95827-08012	C - 5		
50W-84334-00	D - 5	90159-06182	C - 14	90450-32081	B - 6	93109-34057	C - 9	97007-05016	D - 3		
2EK-84394-00	D - 5	90167-05025	C - 14	90462-06080	D - 6	93210-06550	B - 12	97007-05020	C - 9		
2EK-84395-00	D - 5		C - 2	90465-13152	C - 12	93210-07540	C - 11	97007-06016	D - 9		
1M1-84521-60	D - 6		C - 3	90465-18147	D - 9	93210-10010	C - 9	97706-40620	D - 3		
1M1-84523-60	D - 6	90167-05055	C - 3	90467-08003	B - 5	93210-14104	B - 9	97707-40116	D - 3		
1M1-84524-60	D - 6	90170-10219	B - 12	90467-09006	C - 7	93210-38687	B - 13	97707-40625	D - 6		
3L8-84544-00	D - 6		D - 2	90467-10129	C - 7	93300-63813	B - 12	97707-50012	D - 3		
3SA-84710-10	D - 6	90170-10317	B - 12	90467-24140	B - 6	93306-00308	B - 12	97707-50014	D - 4		
34X-84714-00	D - 6	90176-06065	C - 8	90468-02033	B - 5	93306-00319	B - 9	97707-50125	B - 6		
851-84744-00	D - 3	90179-06411	C - 12	90468-12006	C - 13	93306-20006	B - 14	97707-60540	B - 4		
1UV-84751-00-R4	D - 6	90179-07381	B - 2	90480-10468	B - 4		C - 9	97880-06025	B - 9		
2EK-85111-00	D - 3	90179-28415	B - 12	90480-12237	B - 8	93306-20314	B - 14	98501-03006	B - 7		
3SA-85127-00	D - 3	90183-05042	C - 14	90480-12497	B - 4	93306-20458	B - 3	98501-04006	D - 2		
3Y6-85130-02	D - 6		C - 3		B - 6	93310-210M0	B - 3	98501-05010	D - 2		
3SA-85137-00	D - 3		D - 6	90501-10513	C - 12	93310-257R1	B - 11	98501-05020	D - 2		
3KJ-85540-10	D - 9	90185-10154	B - 15	90501-290K2	B - 15	93310-416N7	B - 3	98506-05012	D - 7		
2JA-85550-00	D - 2		C - 9	90501-357F3	B - 13	93420-40064	B - 14	98506-05020	D - 7		
3KJ-85560-00	D - 2	90185-14081	C - 11	90506-14081	C - 9	93450-11120	B - 3	98507-03008	B - 6		
2JA-85580-M0	D - 2	90201-064L6	C - 9	90506-15260	C - 11	93450-30057	C - 6	98507-05012	C - 12		
53L-85720-01	D - 9	90201-06412	B - 12	90506-32464	C - 13	93505-32002	C - 6	98507-06010	B - 12		
3KJ-85752-10	D - 9	90201-08088	B - 11	90508-32609	B - 11	93603-12007	B - 5	98507-06012	B - 10		
4US-85753-00	D - 9	90201-12175	C - 8	90560-10289	C - 9	93900-00041	C - 11		B - 11		
2JG-85757-00	D - 9	90201-123K4	B - 14	90560-10360	C - 9		C - 9	98507-06014	B - 4		
90101-06278	C - 11	90201-133M8	B - 12	91A20-07033	C - 7	94108-1004V	C - 11	98507-06016	D - 2		
90101-10776	C - 5	90201-142M6	C - 11	91317-05014	B - 5		C - 9	98507-06020	B - 4		
90105-08121	C - 5	90201-155G5	B - 11	91318-06020	B - 11	94701-00110	B - 2		B - 6		
90105-10036	C - 12	90201-17255	C - 11		B - 6	95027-06012	D - 8		B - 9		
90109-063F1	C - 8	90202-10120	C - 13	92580-06016	B - 7	95027-06016	D - 8		D - 9		
	D - 6	90208-10012	B - 12	92901-04100	B - 7	95307-05600	C - 9	98507-06025	B - 9		
90109-063F5	C - 7	90208-12049	B - 14		D - 2	95307-12600	D - 3	98507-06035	B - 9		
90116-07353	B - 2	90214-13055	B - 12	92901-05100	B - 7	95601-05100	D - 7	98507-06065	B - 9		
90119-05071	D - 9	90240-10137	C - 13	92901-06100	B - 7	95607-10200	C - 12	98580-04016	B - 7		
90119-06018	C - 2	90241-10015	C - 8	92902-05100	D - 5	95607-12200	B - 15	98580-05016	B - 7		
90119-06060	C - 13	90249-12008	C - 12	92902-05600	D - 5	95707-05500	D - 3	98906-04010	D - 7		
90119-06066	C - 8	90280-03017	B - 3	92907-03600	B - 6		D - 6	98907-06016	B - 8		
90119-06117	C - 4	90380-15240	B - 11	92907-06100	D - 9	95707-06500	C - 7	99009-15400	B - 11		
90149-05119	D - 7	90387-060G7	B - 8	92907-06200	B - 8		C - 8	99009-17400	B - 12		
90149-05190	D - 7	90387-06681	D - 6	92907-06600	B - 4		D - 6		B - 9		
90149-06184	C - 3	90387-067V1	B - 4		B - 6	95707-08500	C - 11	99009-19400	B - 5		
90149-06250	D - 8		B - 6		D - 9	95707-10500	C - 5	99530-10114	B - 9		
90153-06008	B - 11	90387-132W6	B - 12	92907-10600	D - 2	95807-06012	C - 2	99530-12016	B - 9		
90153-06034	D - 9	90387-156U0	B - 3	93101-20138	B - 3	95807-08012	C - 8				
90153-06061	B - 8	90430-08119	B - 10	93102-17342	B - 12	95807-08016	B - 9				
90154-05042	C - 15	90445-05431	B - 5	93102-20425	B - 3	95817-08020	B - 8				
90159-03102	D - 4	90445-071G6	C - 7	93102-22082	B - 14	95817-08030	B - 8				
90159-05028	C - 15	90445-09304	B - 5	93104-19097	D - 2	95827-06012	B - 15				
90159-05089	D - 5	90445-111G1	C - 7	93106-17015	C - 9		C - 7				

# CONTENTS

## ENGINE

CYLINDER .....	B2
CRANKSHAFT. PISTON .....	B3
AIR SHROUD. FAN .....	B4
OIL PUMP .....	B5
INTAKE .....	B6
CARBURETOR .....	B7
EXHAUST .....	B8
CRANKCASE .....	B9
STARTER .....	B11
CLUTCH .....	B12
TRANSMISSION .....	B14

## CHASSIS

FRAME .....	B15
FENDER .....	C2
SIDE COVER .....	C3
OIL TANK .....	C4
REAR SUSPENSION .....	C5
FRONT FORK .....	C6
FUEL TANK .....	C7
SEAT. CARRIER .....	C8
FRONT WHEEL .....	C9
REAR WHEEL .....	C11
STEERING HANDLE. CABLE .....	C12
STAND. FOOTREST .....	C13
LEG SHIELD .....	C14
COWLING 1 .....	C15
GENERATOR .....	D2
FLASHER LIGHT .....	D3
METER .....	D4
HEADLIGHT .....	D5
TAILLIGHT .....	D6

HANDLE SWITCH. LEVER .....	D7
ELECTRICAL 1 .....	D8
ELECTRICAL 2 .....	D9

## INDEX

NUMERICAL INDEX .....	M1
-----------------------	----